



US00D637276S

(12) **United States Design Patent**  
**Miyabara et al.**

(10) **Patent No.:** **US D637,276 S**

(45) **Date of Patent:** **\*\* May 3, 2011**

(54) **FAN**

(75) Inventors: **Yoshinori Miyabara**, Nagano Prefecture (JP); **Kouji Ueno**, Nagano Prefecture (JP); **Tomoaki Ikeda**, Nagano Prefecture (JP); **Masashi Miyazawa**, Nagano Prefecture (JP); **Haruhisa Maruyama**, Nagano Prefecture (JP)

(73) Assignee: **Sanyo Denki Co., Ltd.**, Tokyo (JP)

(\*\*) Term: **14 Years**

(21) Appl. No.: **29/317,488**

(22) Filed: **Apr. 30, 2008**

(30) **Foreign Application Priority Data**

Oct. 31, 2007 (JP) ..... 2007-030125

(51) **LOC (9) Cl.** ..... **23-01**

(52) **U.S. Cl.** ..... **D23/370**

(58) **Field of Classification Search** ..... D23/370,  
D23/411, 379; 415/176-178, 211.2; 361/697;  
D13/179

See application file for complete search history.

(56) **References Cited**

U.S. PATENT DOCUMENTS

6,183,196	B1 *	2/2001	Fujinaka	.....	415/208.5
6,244,818	B1 *	6/2001	Chang	.....	415/208.2
6,375,440	B2 *	4/2002	Kosugi	.....	417/423.14
6,386,276	B1 *	5/2002	Chen et al.	.....	165/121
D487,800	S *	3/2004	Chen et al.	.....	D23/370
D492,986	S *	7/2004	Chiu et al.	.....	D23/370
D506,540	S *	6/2005	Chiu et al.	.....	D23/370
D507,637	S *	7/2005	Chiu et al.	.....	D23/370
D507,638	S *	7/2005	Chiu et al.	.....	D23/370
D507,639	S *	7/2005	Chiu et al.	.....	D23/370
D521,140	S *	5/2006	Horng et al.	.....	D23/370
D531,716	S	11/2006	Watanabe et al.		
7,342,785	B2 *	3/2008	Liu	.....	361/695
7,414,842	B2 *	8/2008	Hao et al.	.....	361/697
D602,142	S *	10/2009	Nishizawa et al.	.....	D23/370

D602,577	S *	10/2009	Miyazawa et al.	.....	D23/370
D619,697	S *	7/2010	Uchikawa	.....	D23/370
2010/0002389	A1 *	1/2010	Tung et al.	.....	361/697
2010/0020494	A1 *	1/2010	Guo et al.	.....	361/696

FOREIGN PATENT DOCUMENTS

TW	471562	1/2002
TW	486043	5/2002
TW	497025	8/2002
TW	523652	3/2003

\* cited by examiner

*Primary Examiner* — T. Chase Nelson

*Assistant Examiner* — Eric L Goodman

(74) *Attorney, Agent, or Firm* — Rankin, Hill & Clark LLP

(57) **CLAIM**

The ornamental design for a fan, as shown and described.

**DESCRIPTION**

FIG. 1 is a front side elevational view of a fan embodying our new design;

FIG. 2 is a rear side elevational view thereof;

FIG. 3 is a right side elevational view thereof;

FIG. 4 is a left side elevational view thereof;

FIG. 5 is a top plan view thereof;

FIG. 6 is a bottom plan view thereof;

FIG. 7 is a cross sectional view as seen along line 7—7 of FIG. 6, omitting the interior mechanism;

FIG. 8 is a perspective view as seen in the direction indicated by Arrow 8 in FIG. 2;

FIG. 9 is a perspective view as seen in the direction indicated by Arrow 9 in FIG. 2;

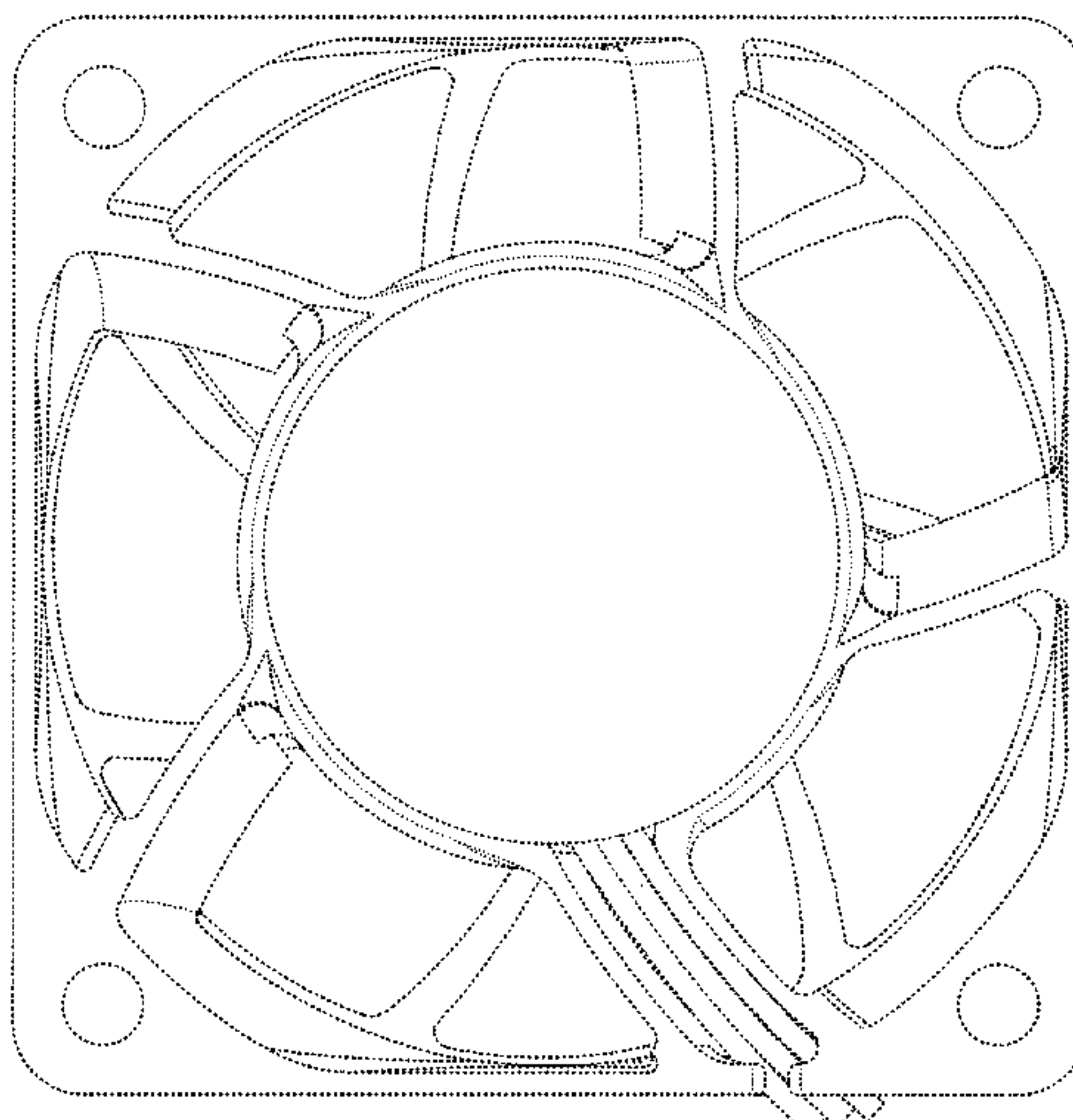
FIG. 10 is an enlarged cross sectional view as seen along line 10—10 of FIG. 2;

FIG. 11 is an enlarged cross sectional view as seen along line 11—11 of FIG. 2; and,

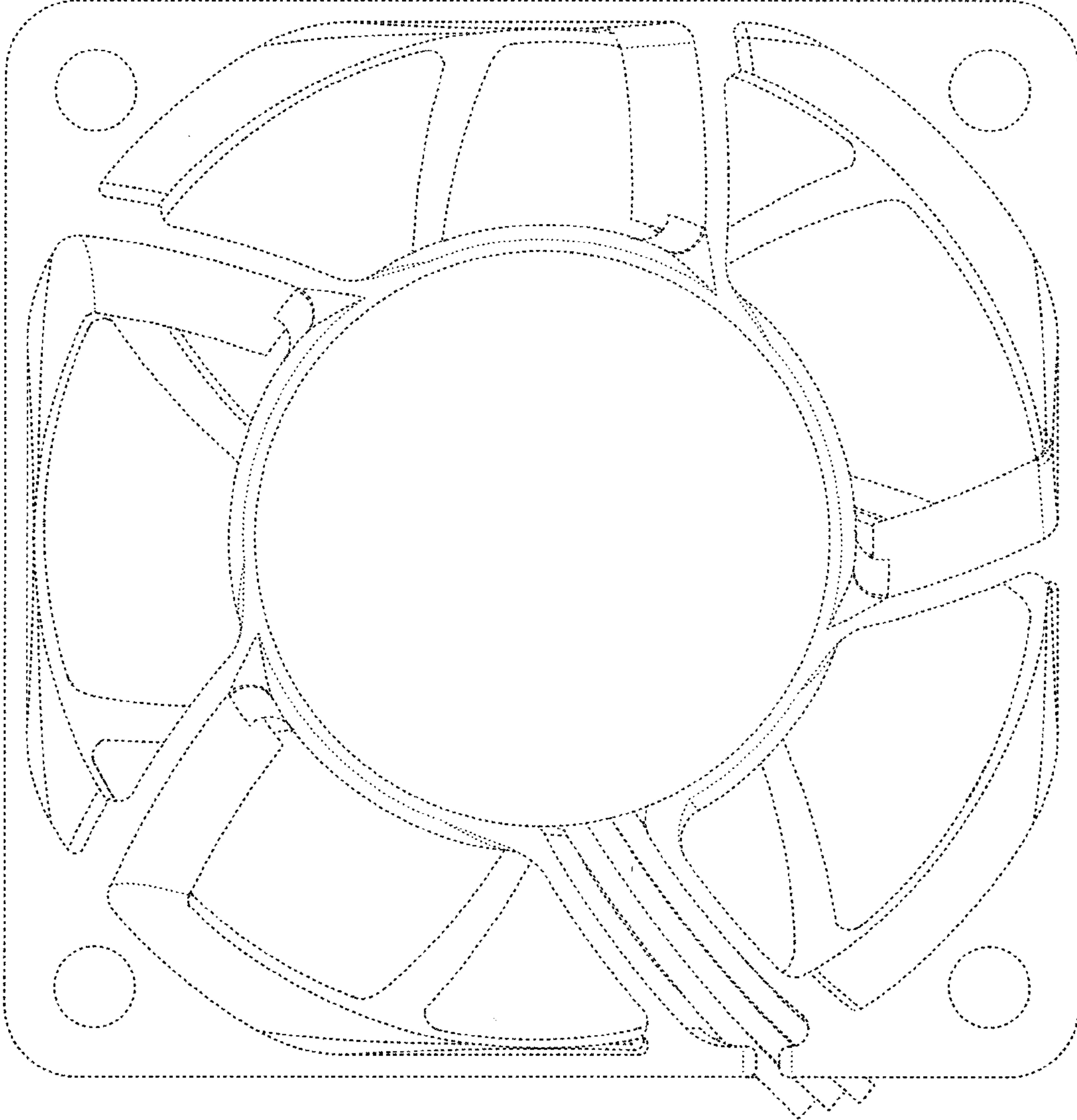
FIG. 12 is a perspective view for reference.

The broken line showing is included for the purpose of illustrating portions of the article and forms no part of the claimed design.

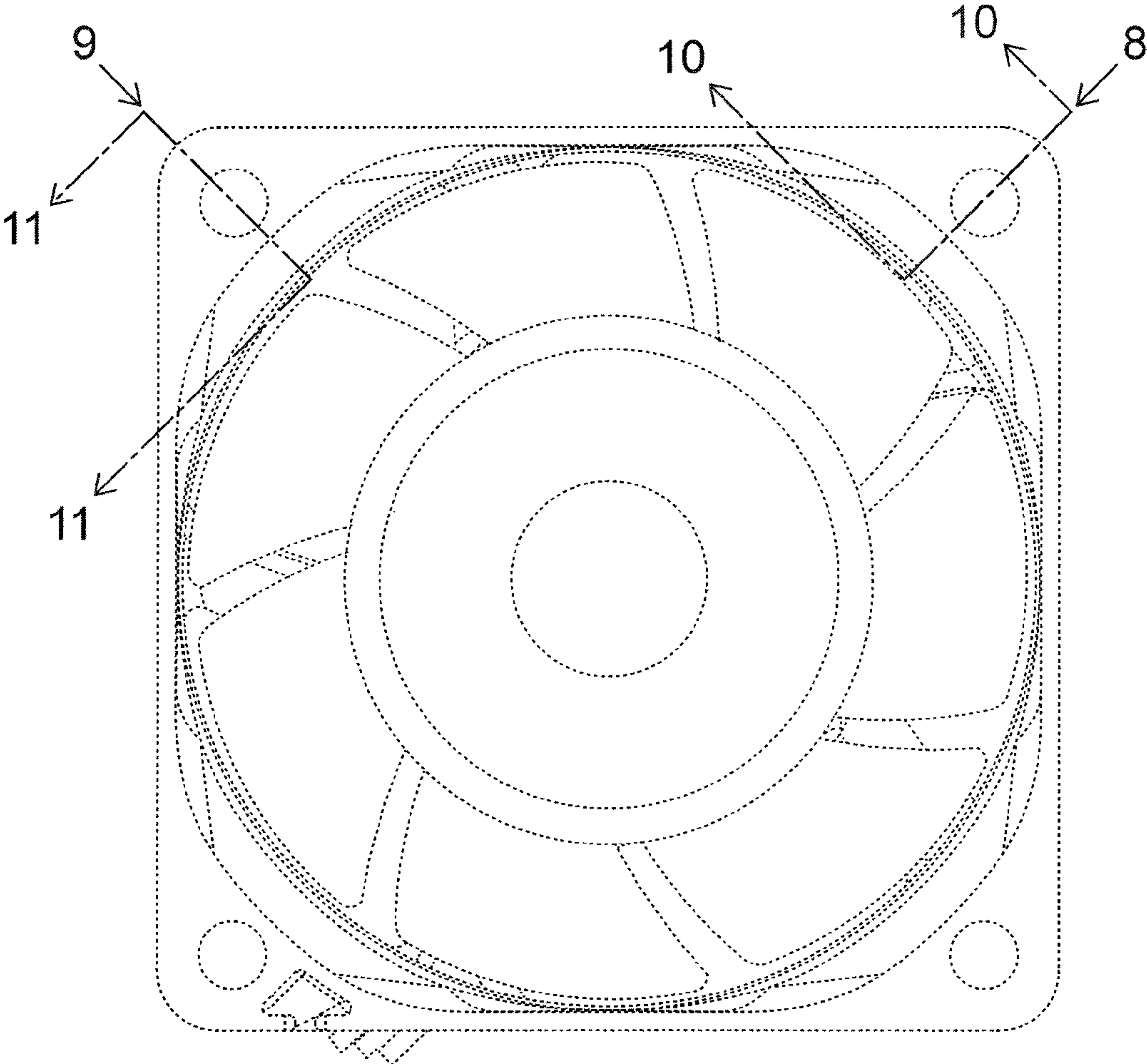
**1 Claim, 12 Drawing Sheets**



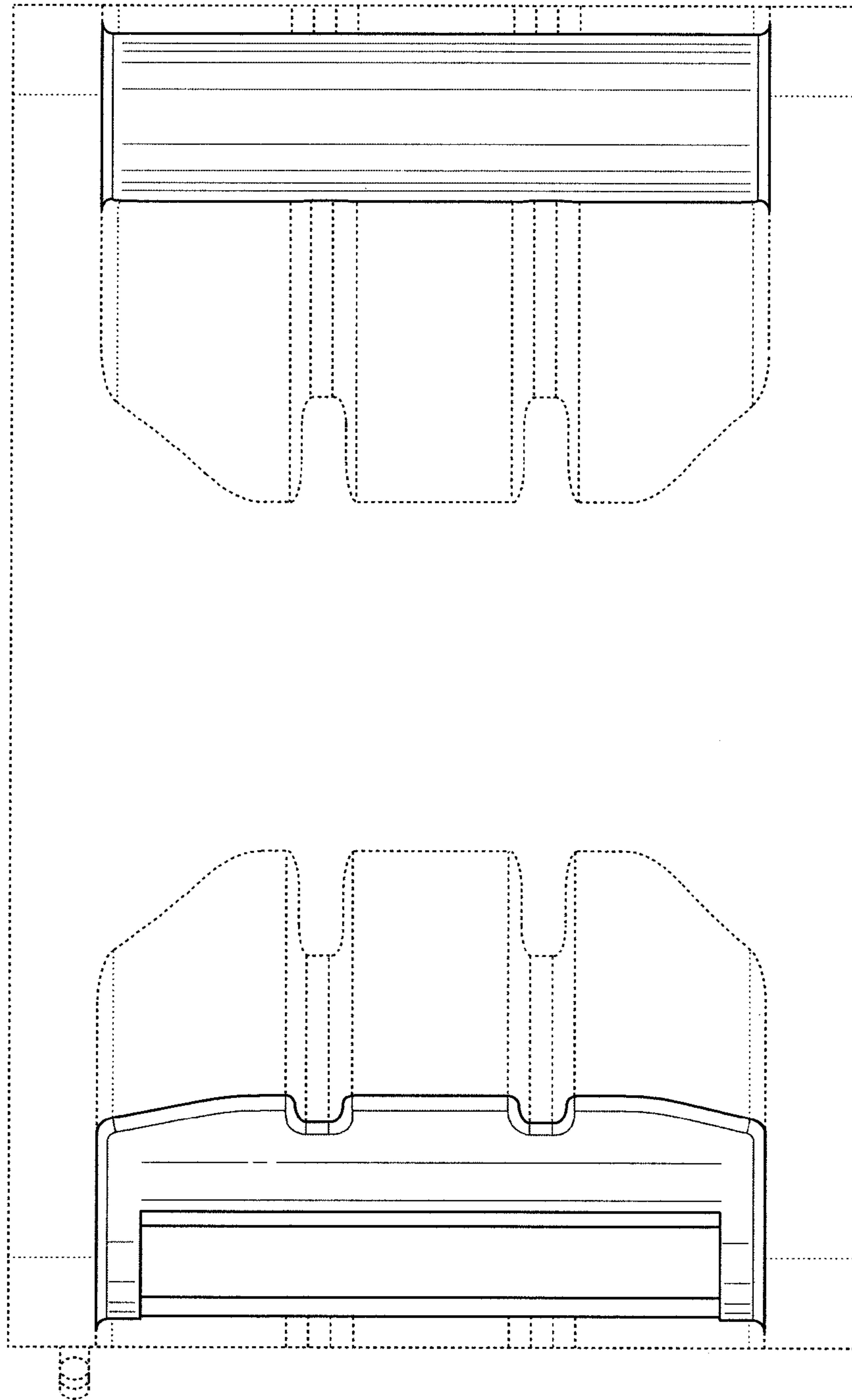
*FIG. 1*



*FIG. 2*



*FIG. 3*





*FIG. 4*

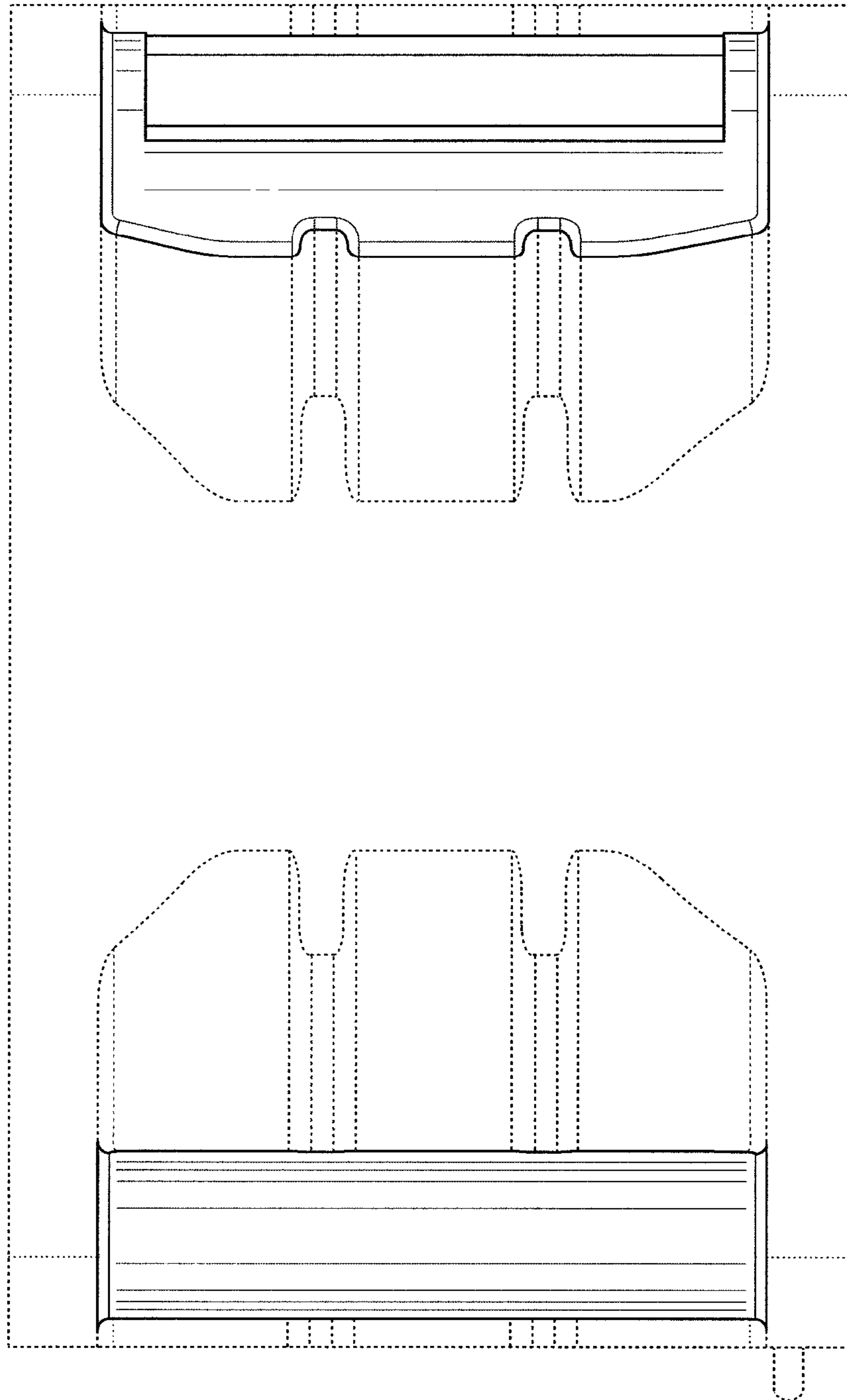


FIG. 5

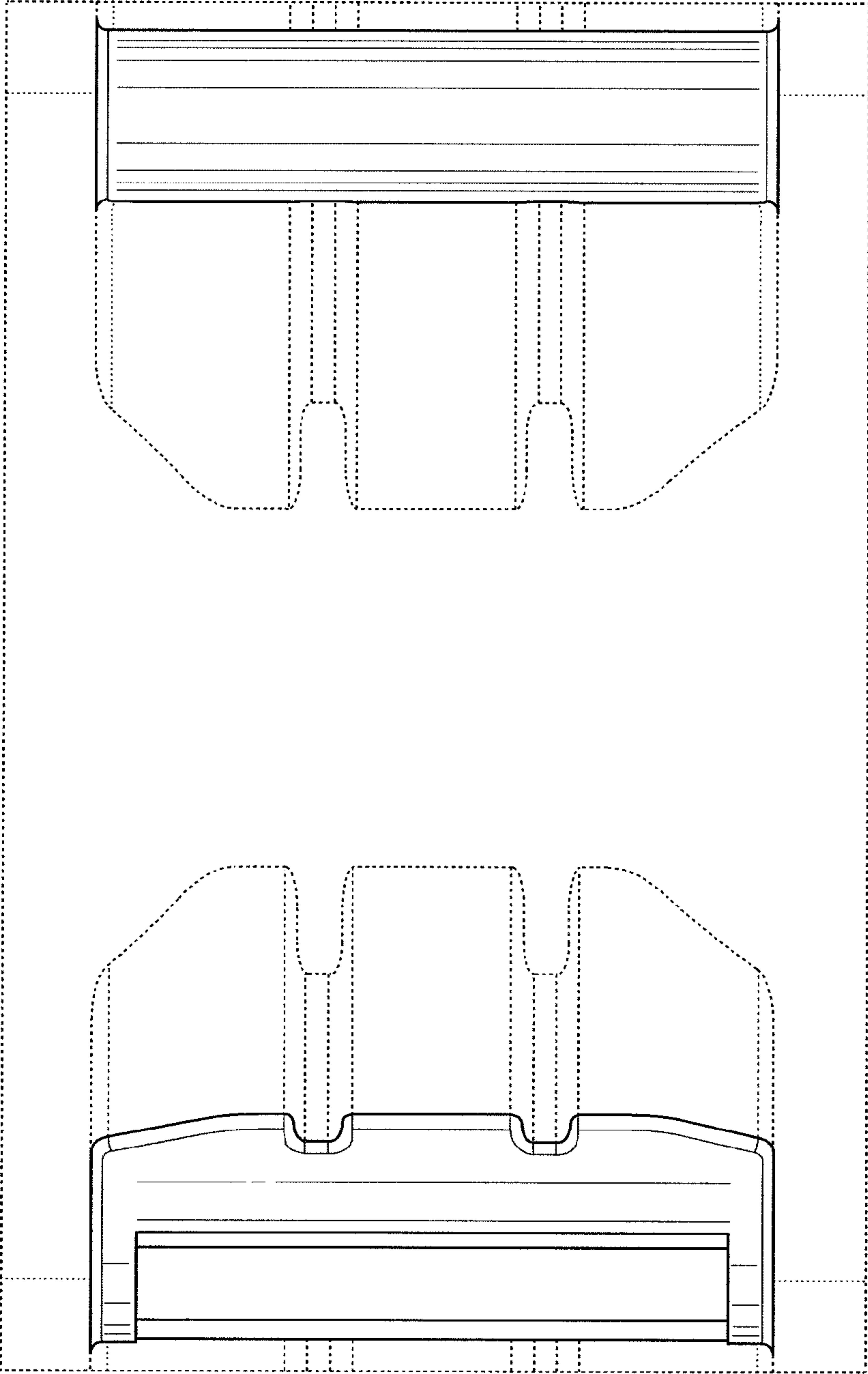
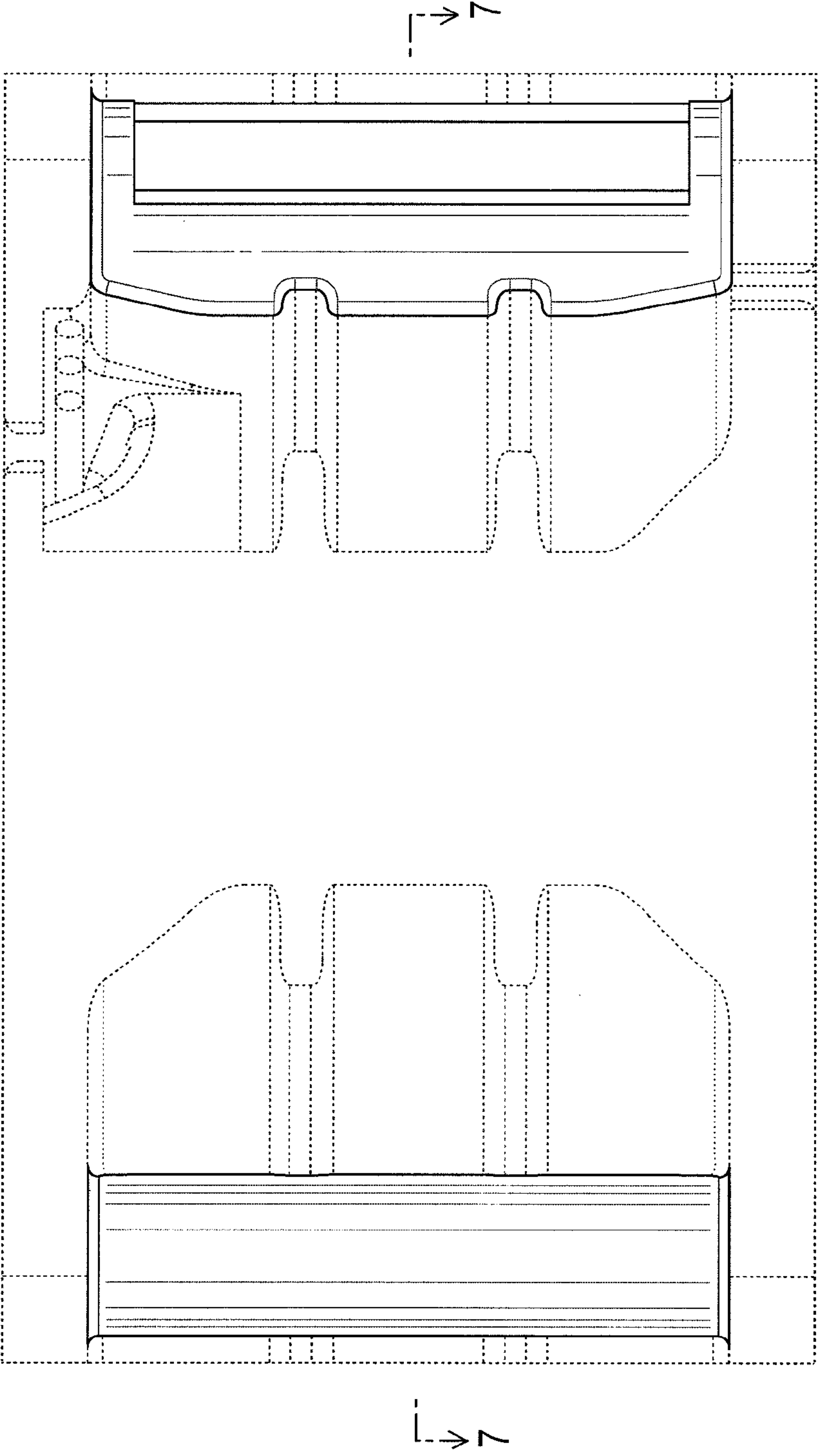


FIG. 6



*FIG. 7*

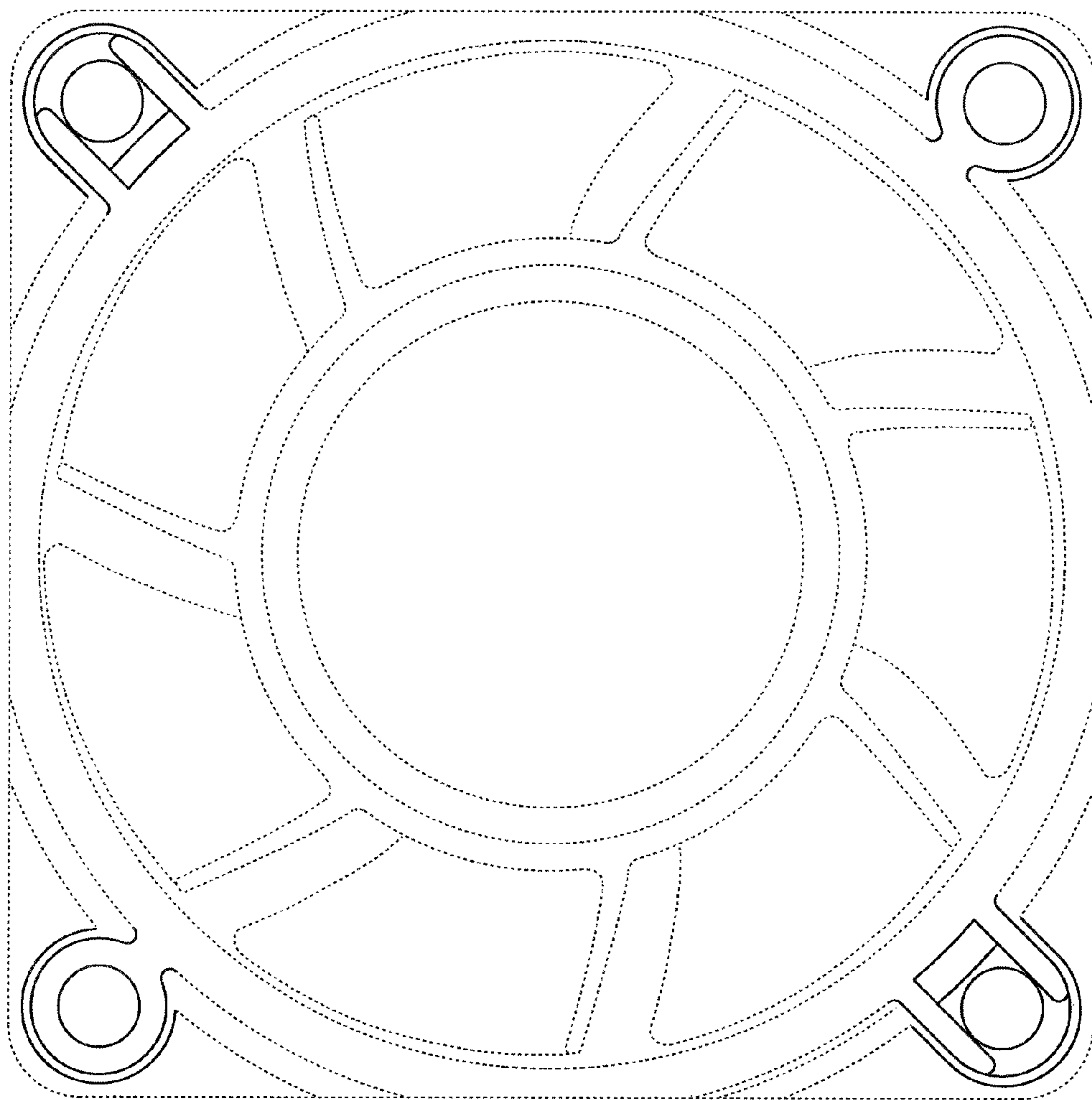




FIG. 8

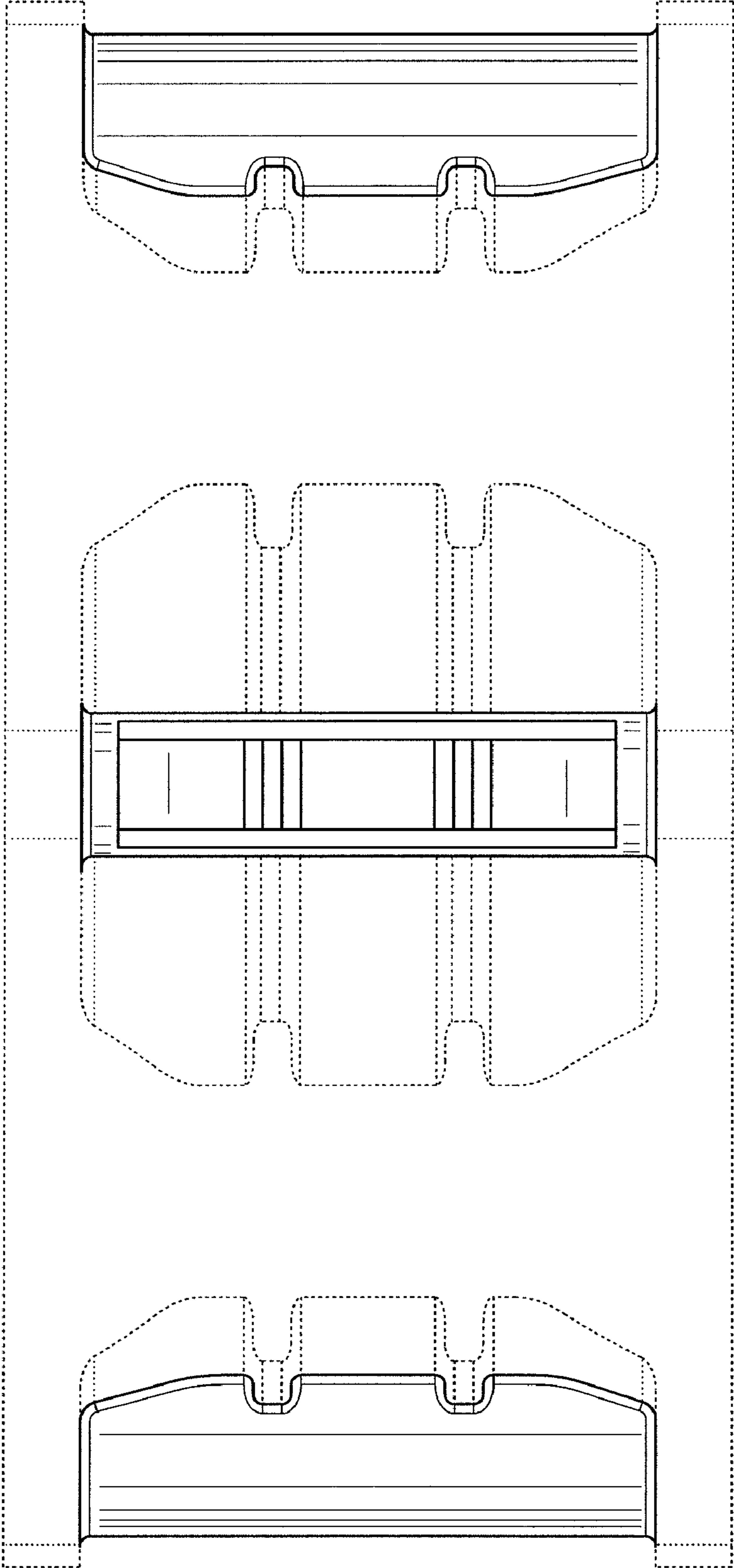
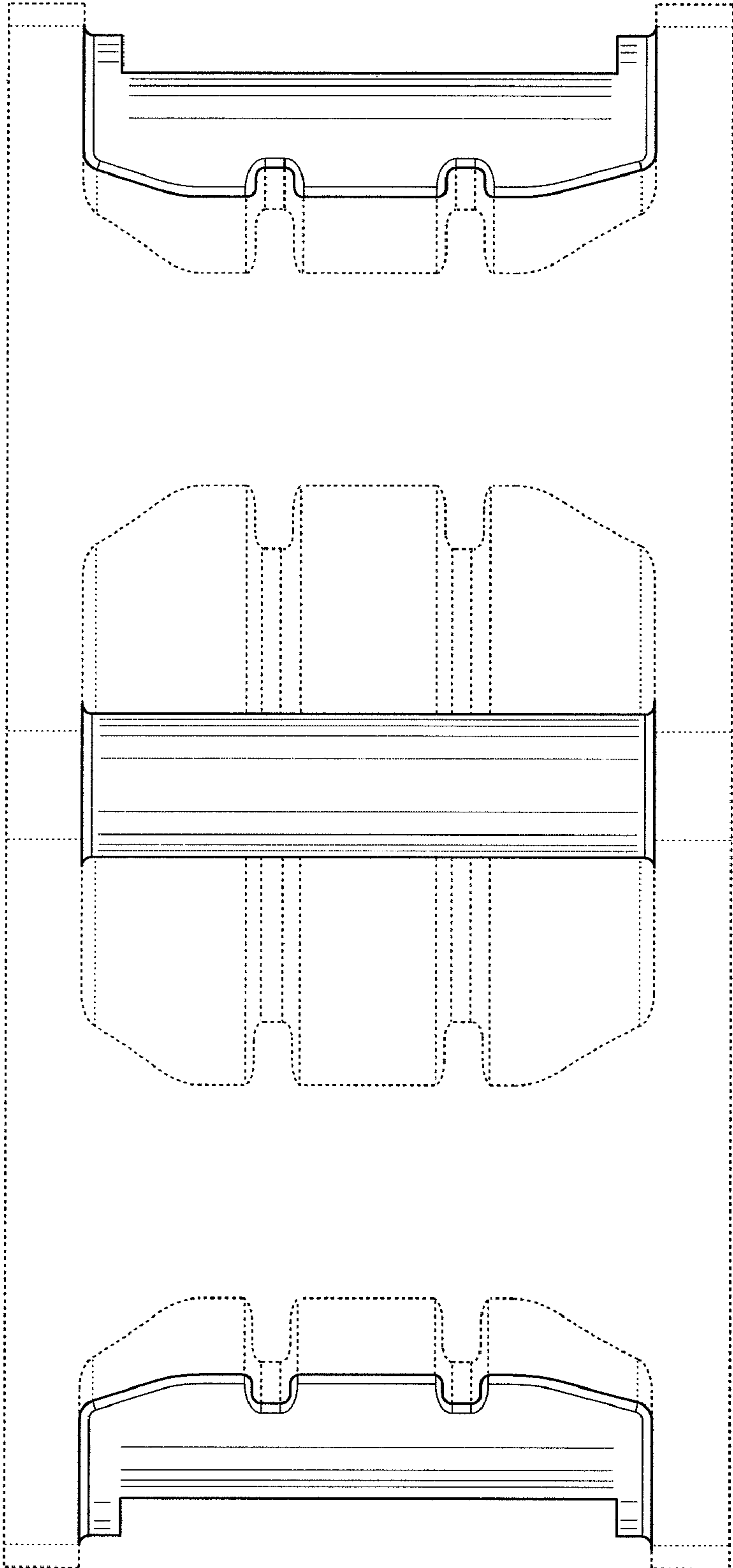
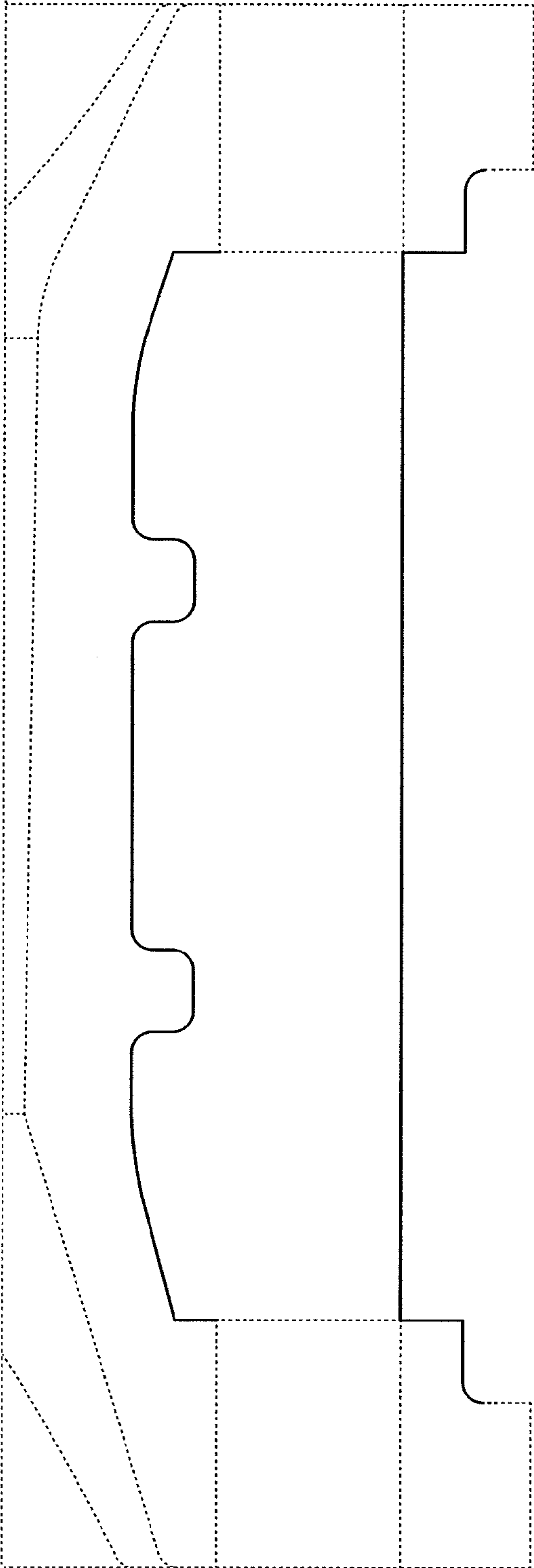


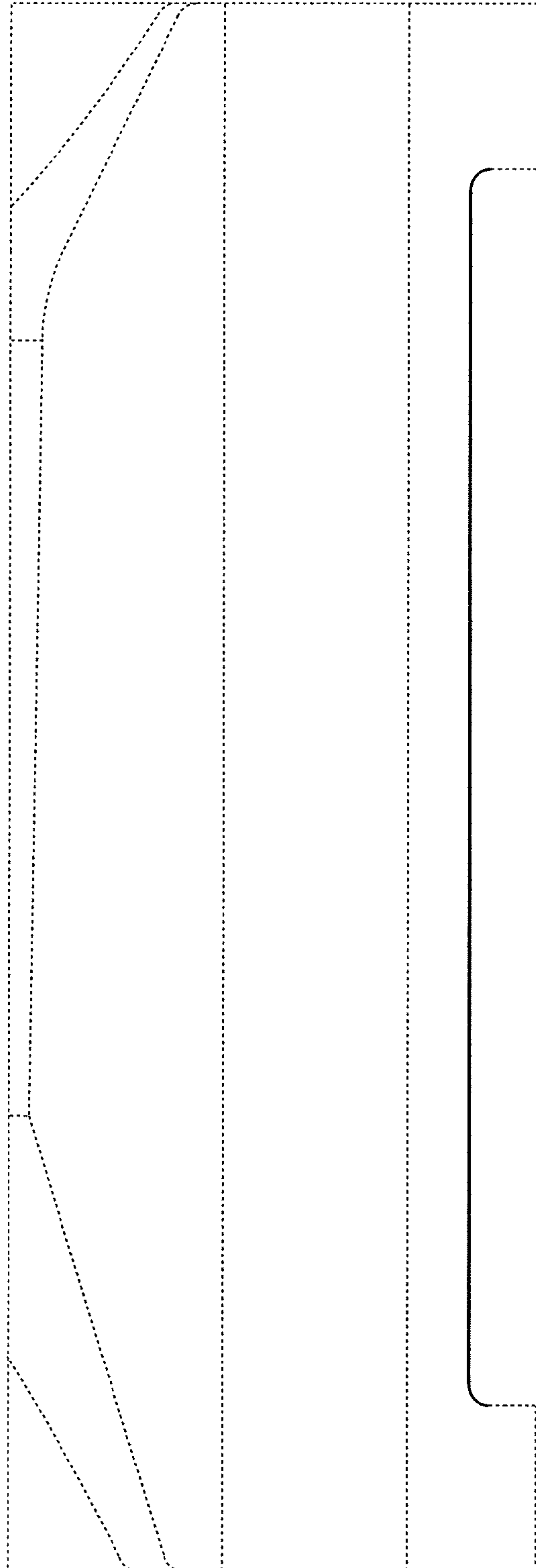
FIG. 9



*FIG. 10*



*FIG. 11*



*FIG. 12*

