



US00D637273S

(12) **United States Design Patent**
Weng et al.

(10) **Patent No.:** **US D637,273 S**

(45) **Date of Patent:** **** May 3, 2011**

(54) **ELECTRIC HEATER**

(76) Inventors: **Binggang Weng**, Guangdong (CN);
Changsheng Liang, Guangdong (CN)

(**) Term: **14 Years**

(21) Appl. No.: **29/376,569**

(22) Filed: **Oct. 8, 2010**

(51) **LOC (9) Cl.** **23-03**

(52) **U.S. Cl.** **D23/328**

(58) **Field of Classification Search** D23/317,
D23/314, 332, 333, 334, 335, 337, 342, 351,
D23/355, 378, 370, 381, 364, 336, 341, 328;
416/244 R, 247 R, 53.1-53.3; 392/365, 367
See application file for complete search history.

D456,498 S *	4/2002	Jeng	D23/328
D462,426 S *	9/2002	Jeng	D23/328
D462,427 S *	9/2002	Jeng	D23/328
D467,651 S *	12/2002	Ashton	D23/332
D472,623 S *	4/2003	Bossler	D23/328
D543,610 S *	5/2007	Catron	D23/332
D570,977 S *	6/2008	McColgin et al.	D23/342
D570,978 S *	6/2008	McColgin et al.	D23/342

* cited by examiner

Primary Examiner — T. Chase Nelson

Assistant Examiner — Ania K Dworzecka

(74) *Attorney, Agent, or Firm* — Whitham Curtis
Christofferson & Cook, PC

(57) **CLAIM**

We claim the ornamental design for the electric heater, as shown and described.

(56) **References Cited**

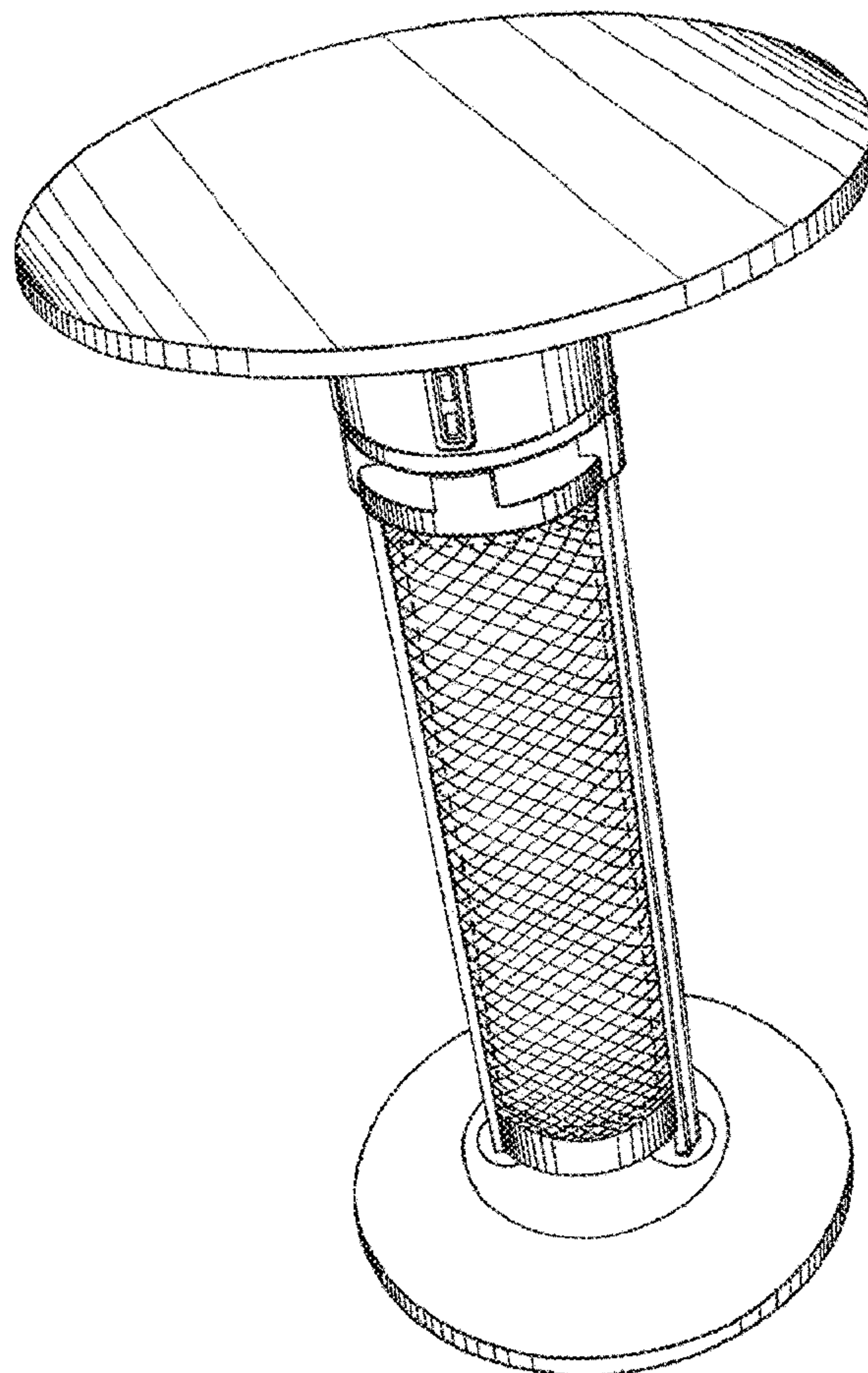
U.S. PATENT DOCUMENTS

D36,443 S *	7/1903	Boeck	D23/336
D115,100 S *	6/1939	Masters et al.	D23/336
2,474,594 A *	6/1949	Rausch et al.	392/367
D274,836 S *	7/1984	Smith	D23/337
D276,545 S *	11/1984	Mori et al.	D23/336
D452,301 S *	12/2001	Schwartz et al.	D23/328

DESCRIPTION

FIG. 1 is a perspective view of the electric heater;
FIG. 2 is a front elevational view of the electric heater;
FIG. 3 is a left elevational view of the electric heater; and,
FIG. 4 is a rear elevational view of the electric heater.

1 Claim, 4 Drawing Sheets



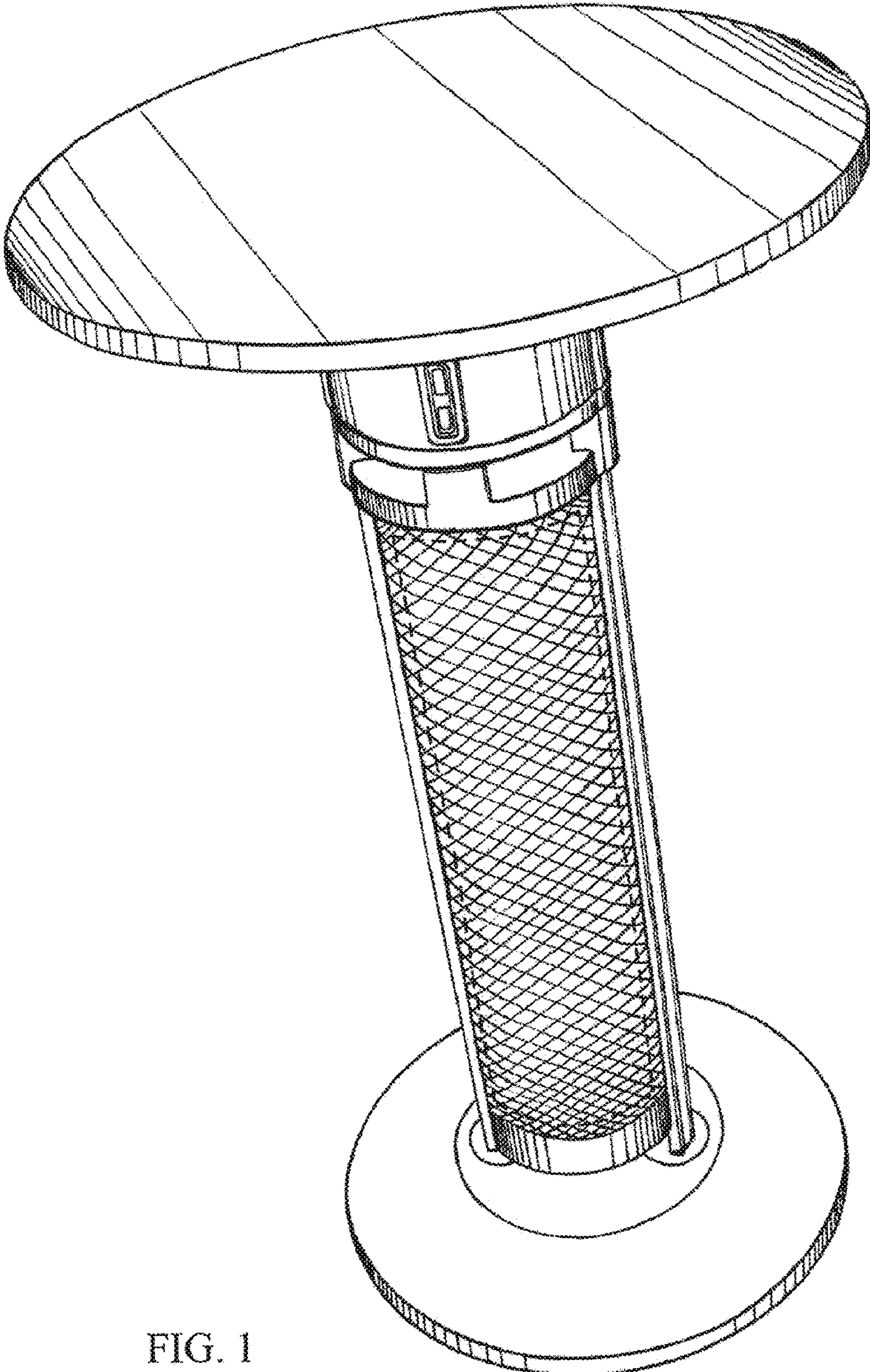


FIG. 1

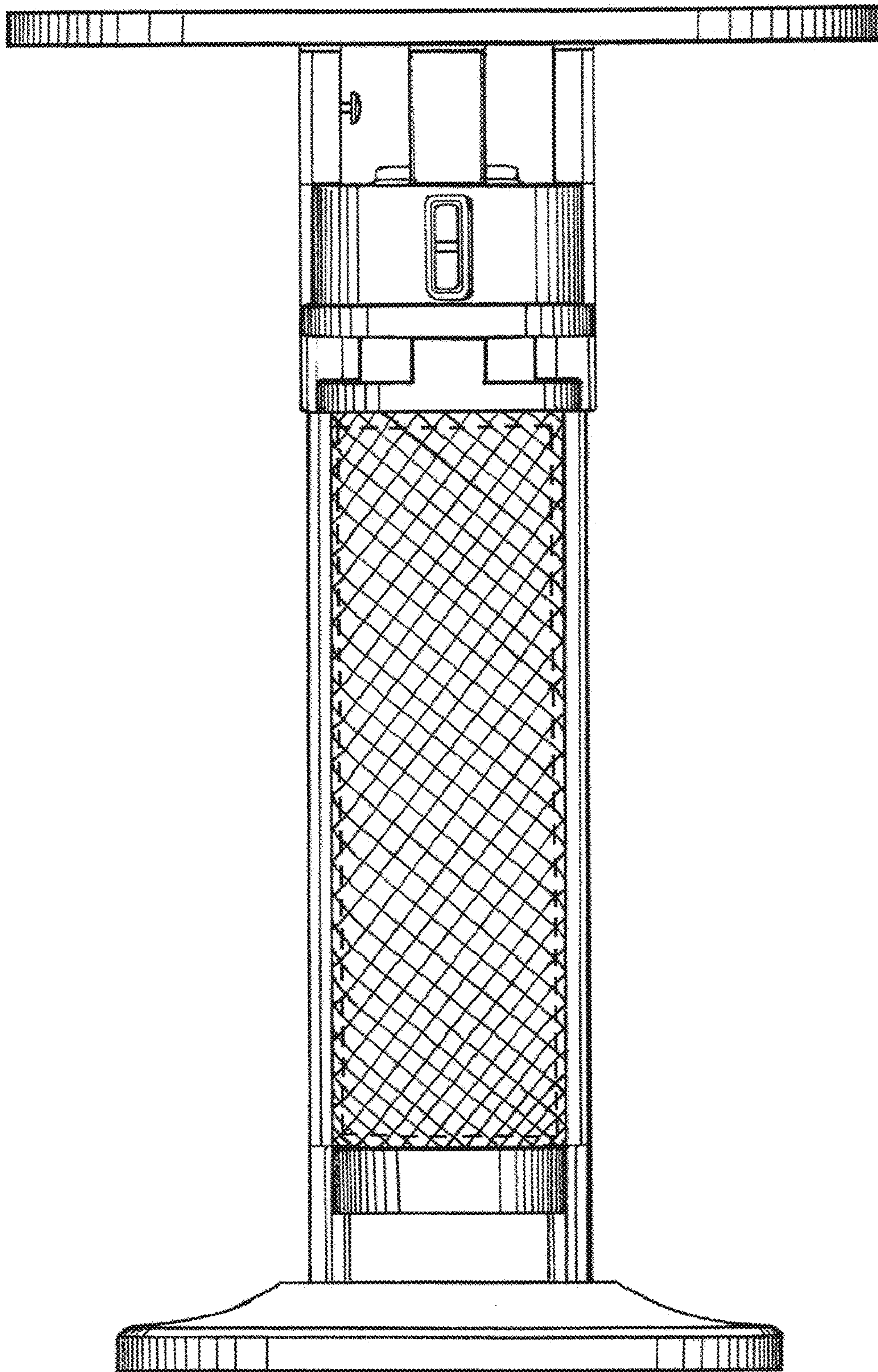


FIG. 2

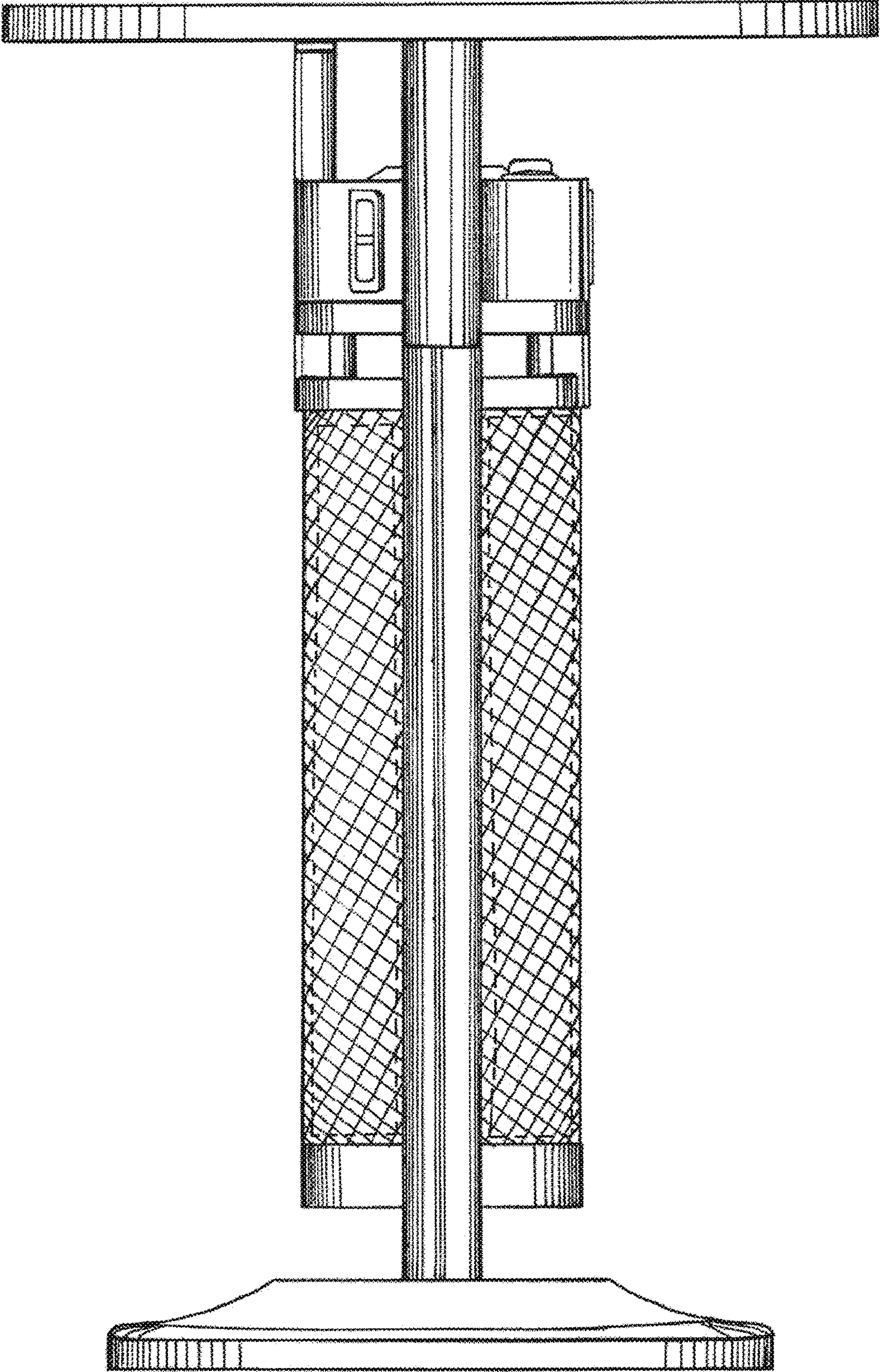


FIG. 3

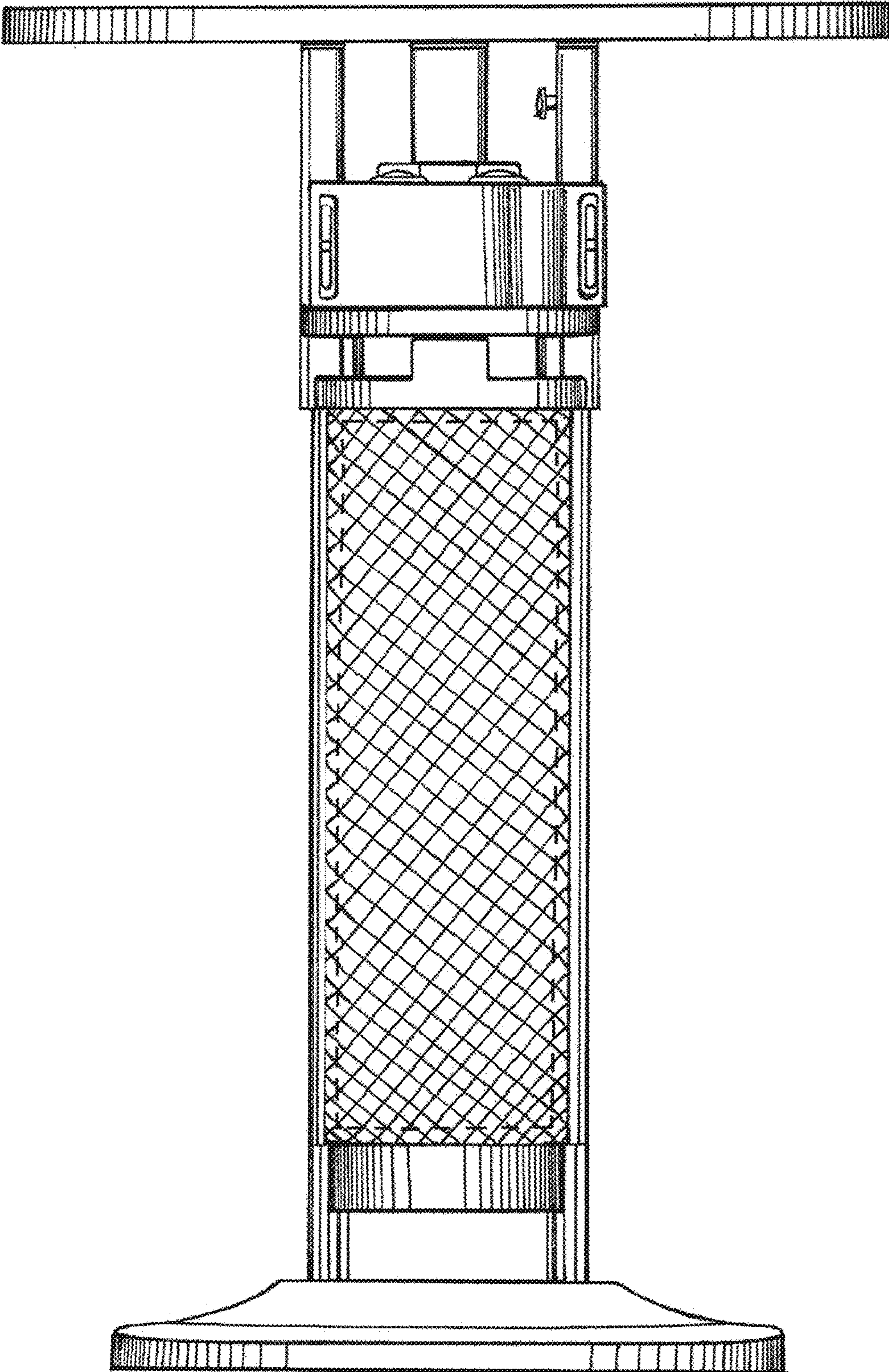


FIG. 4