



US00D637272S

(12) **United States Design Patent**  
**Du**

(10) **Patent No.:** **US D637,272 S**  
(45) **Date of Patent:** **\*\* May 3, 2011**

(54) **COMBINATION PORTABLE TOILET AND  
BABY DIAPER CHANGING TABLE**

**DESCRIPTION**

(76) Inventor: **Tiffany Du**, Garden Grove, CA (US)

(\*\*) Term: **14 Years**

(21) Appl. No.: **29/380,547**

(22) Filed: **Dec. 7, 2010**

(51) **LOC (9) Cl.** ..... **23-02**

(52) **U.S. Cl.** ..... **D23/299; D23/296**

(58) **Field of Classification Search** ..... D23/295–296,  
D23/299, 303, 309; 4/902; D6/335–336  
See application file for complete search history.

(56) **References Cited**

**U.S. PATENT DOCUMENTS**

311,443	A *	1/1885	Nash	4/315
D193,169	S *	7/1962	Wood	D23/299
D193,420	S *	8/1962	Kulka	D23/299
D214,318	S *	6/1969	Wahlforss	D23/299
D321,757	S *	11/1991	Aldred et al.	D23/311
5,950,251	A *	9/1999	Cost et al.	4/483
D470,230	S *	2/2003	Jones	D23/299
D471,266	S *	3/2003	Espinoza	D23/299
D485,335	S *	1/2004	Fritz	D23/309

\* cited by examiner

*Primary Examiner* — Robert Delehanty

(74) *Attorney, Agent, or Firm* — Richard D. Clarke

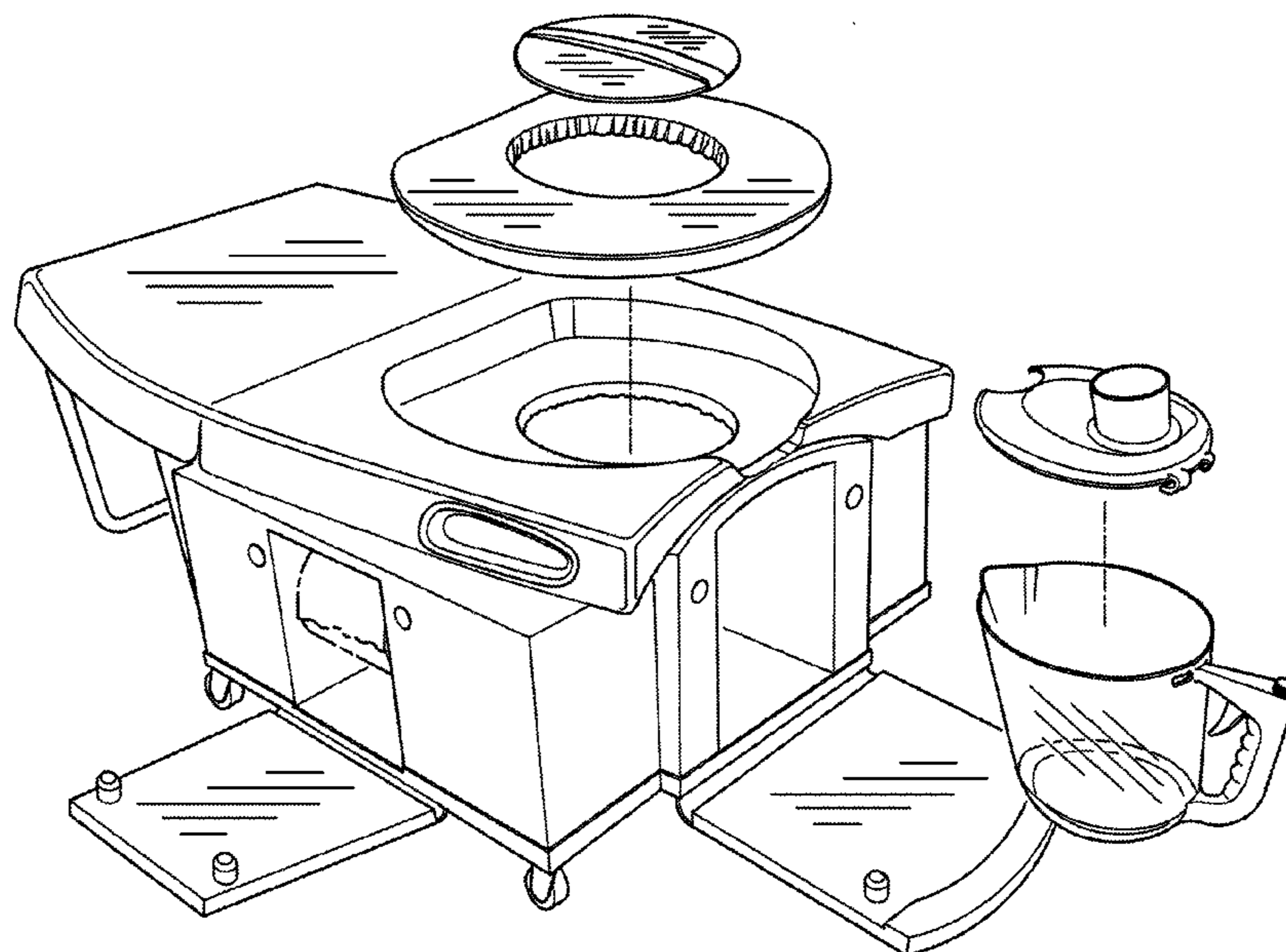
(57) **CLAIM**

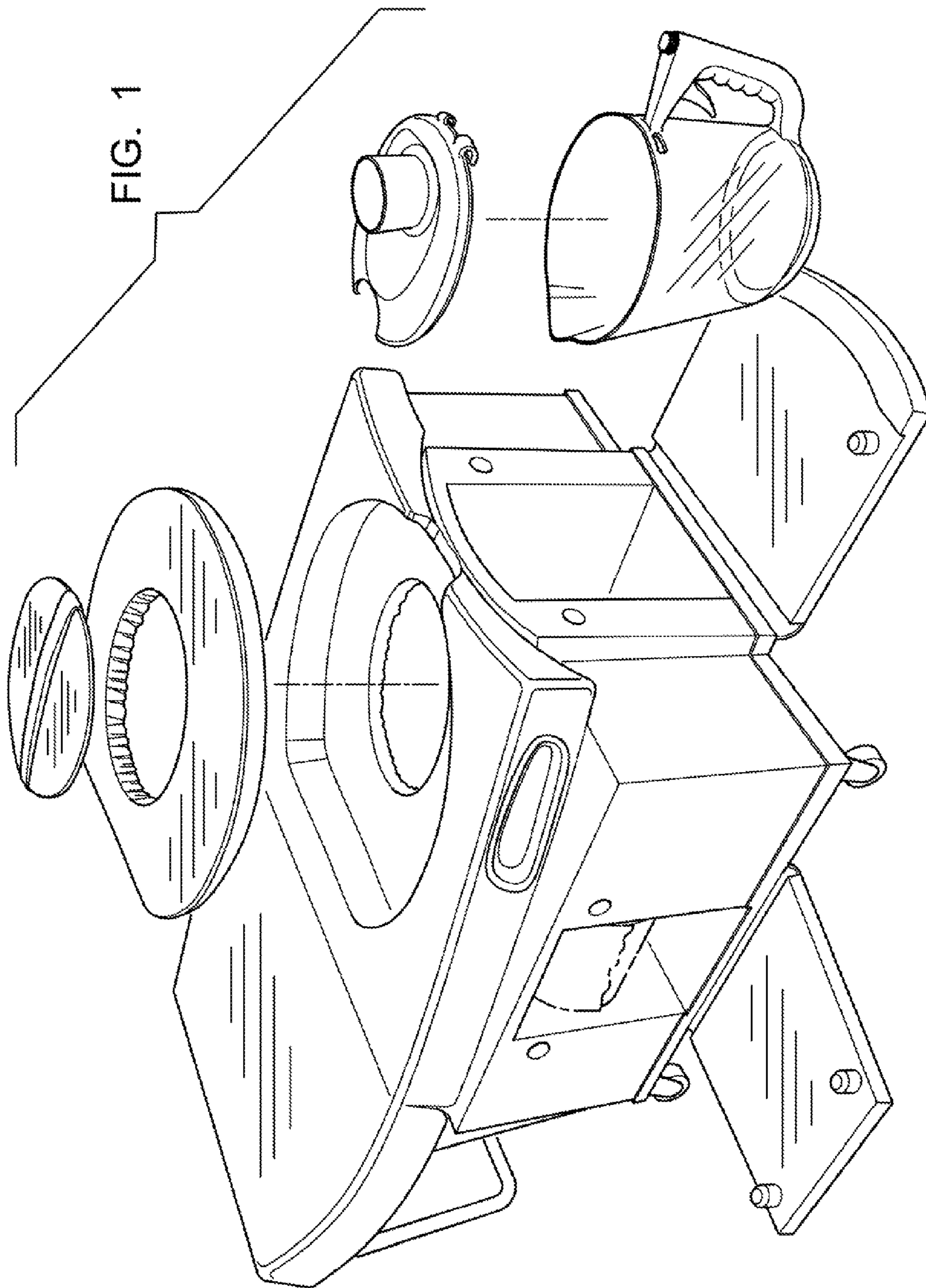
I claim the ornamental design for a combination portable toilet and baby diaper changing table, as shown and described.

FIG. 1 is a front, left side and top exploded perspective view of the combination portable toilet and baby diaper changing table, showing the seat back in the down position;  
 FIG. 2 is a front, left side and top exploded perspective view of the combination portable toilet and baby diaper changing table, showing the seat back in the down position;  
 FIG. 3 is a front, top and left side view of the combination portable toilet and baby diaper changing table, showing the seat back in the upright position;  
 FIG. 4 is a front, top and left side view of the combination portable toilet and baby diaper changing table, showing the seat back in the folded position;  
 FIG. 5 is a left side elevational view of the combination portable toilet and baby diaper changing table, showing the seat back in the folded position;  
 FIG. 6 is a top plan view of the combination portable toilet and baby diaper changing table, showing the seat back in the folded position;  
 FIG. 7 is a right side elevational view of the combination portable toilet and baby diaper changing table, showing the seat back in the folded position;  
 FIG. 8 is a front elevational view of the combination portable toilet and baby diaper changing table, showing the seat back in the folded position;  
 FIG. 9 is a bottom plan view of the combination portable toilet and baby diaper changing table, showing the seat back in the folded position; and,  
 FIG. 10 is a rear elevational view of the combination portable toilet and baby diaper changing table, showing the seat back in the folded position.

The broken line showing of environment in FIG. 1 is included for the purpose of illustration only and forms no part of the claimed design.

**1 Claim, 6 Drawing Sheets**







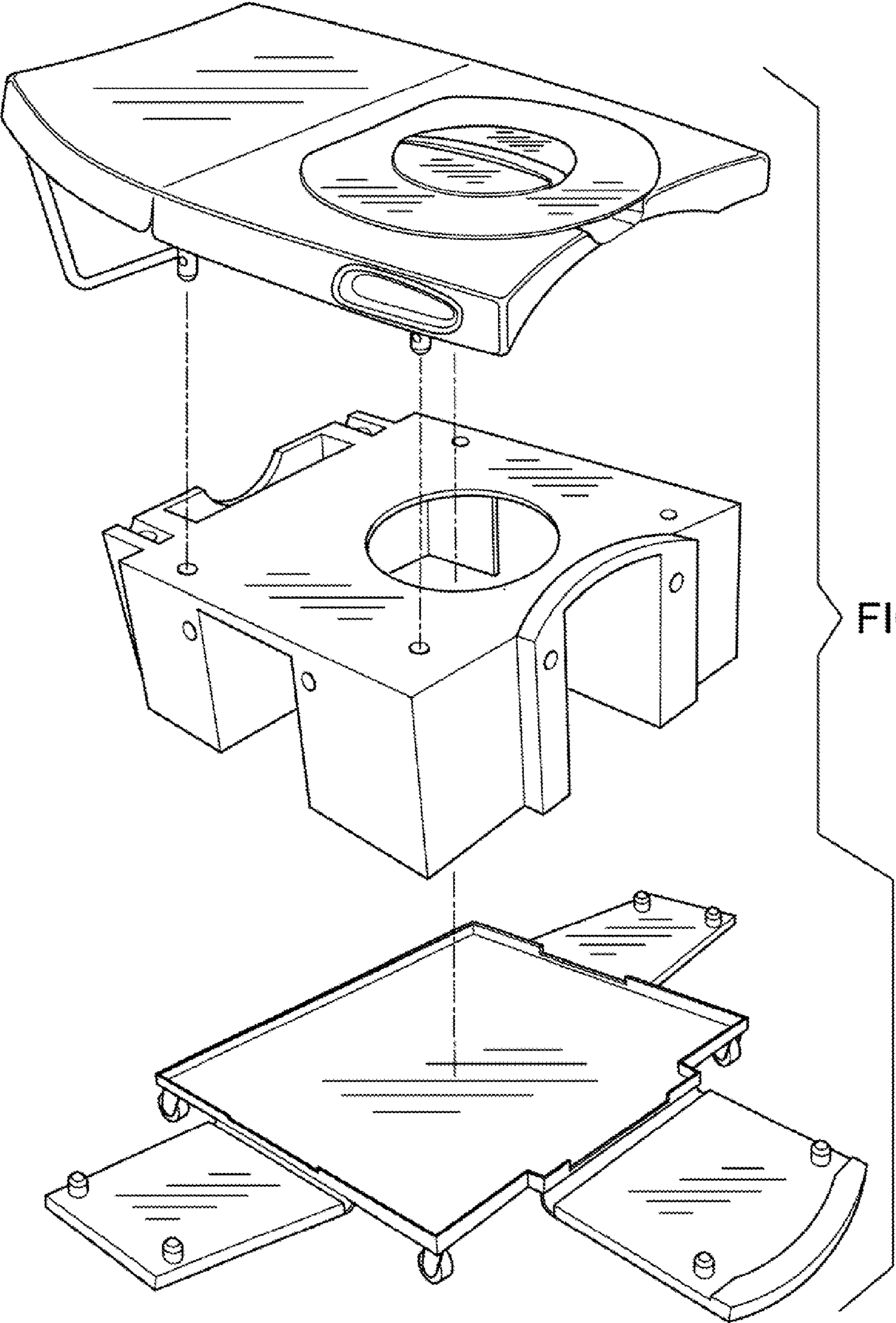


FIG. 2

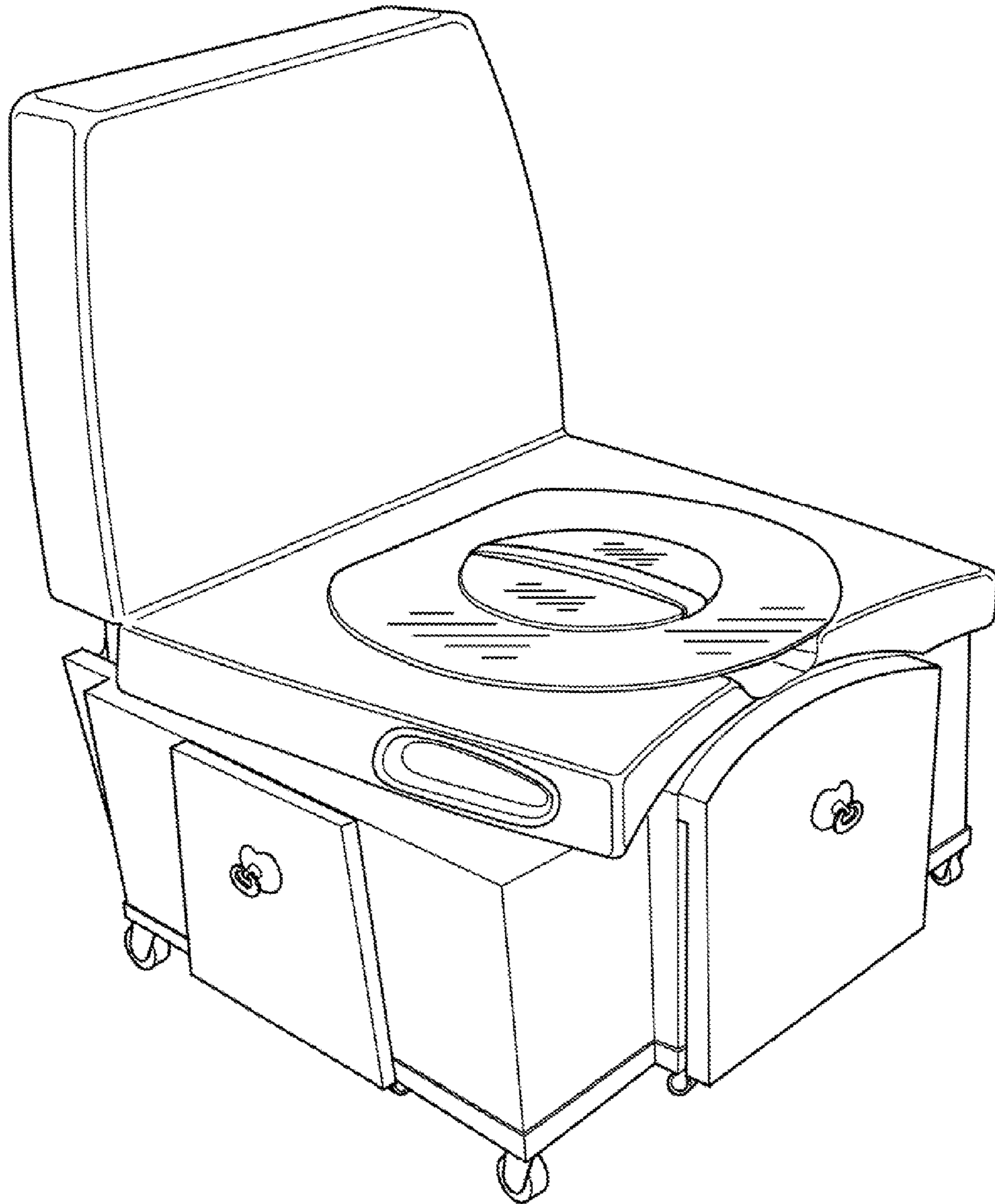


FIG. 3

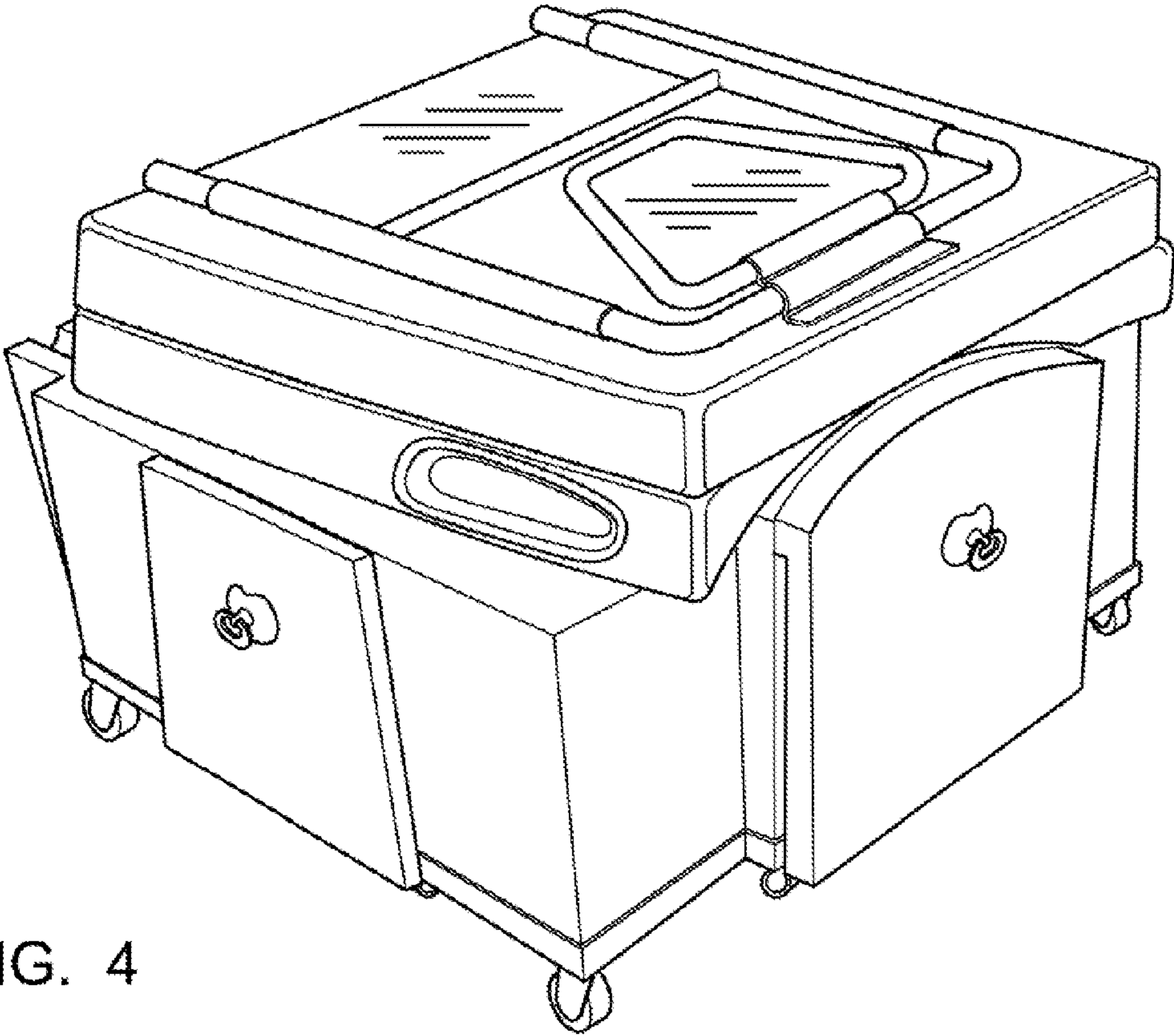


FIG. 4

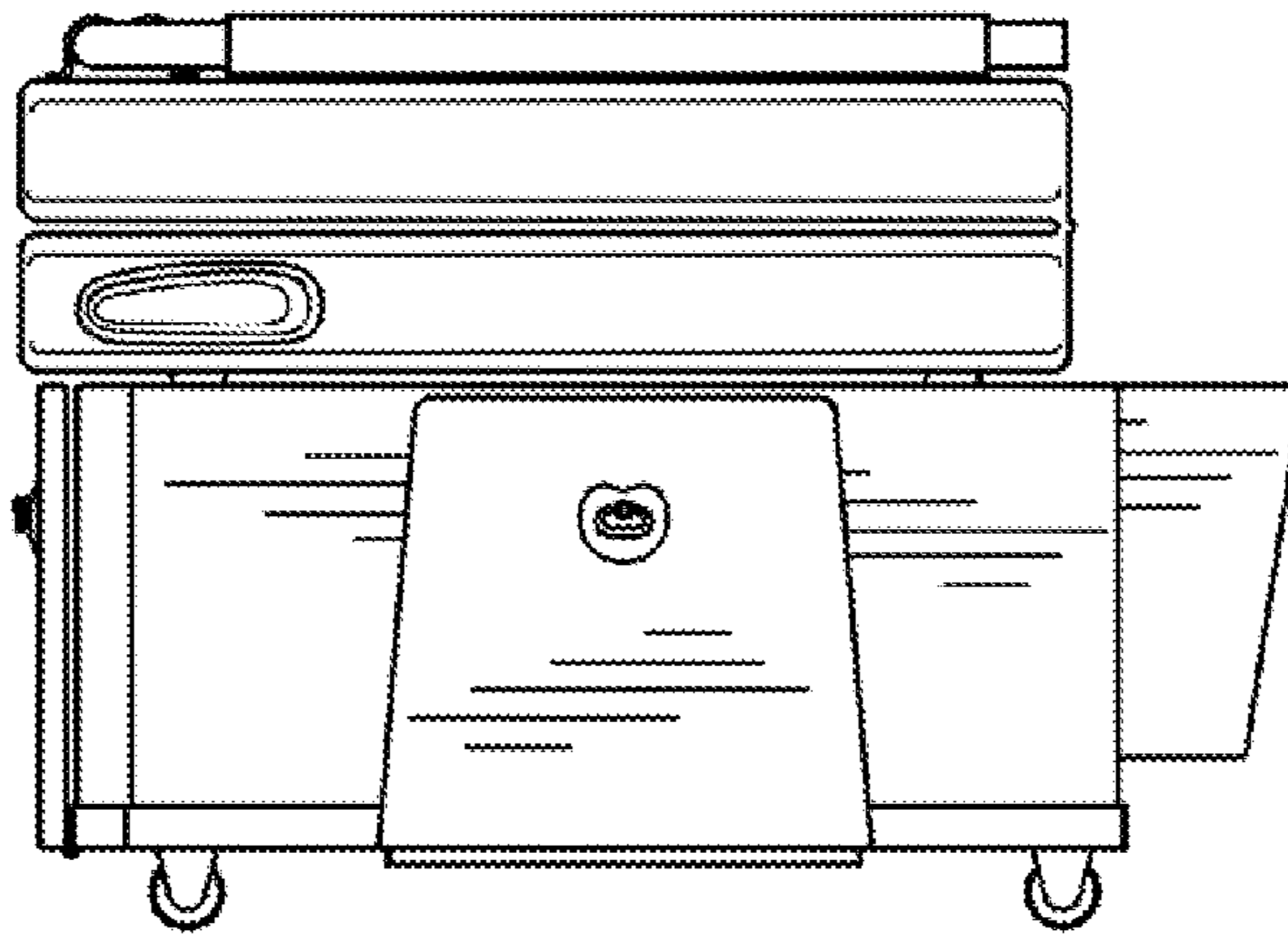


FIG. 5

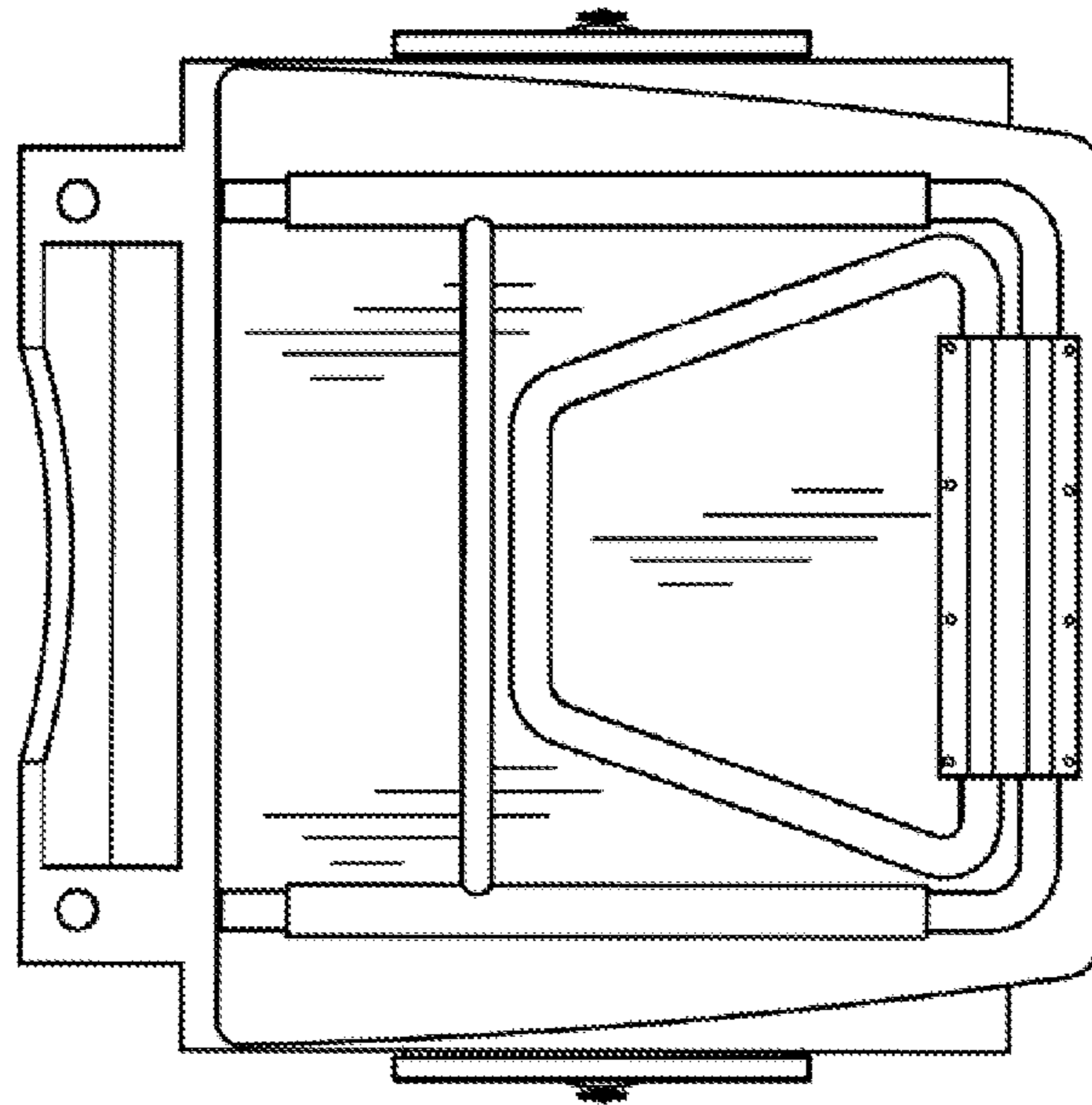


FIG. 6

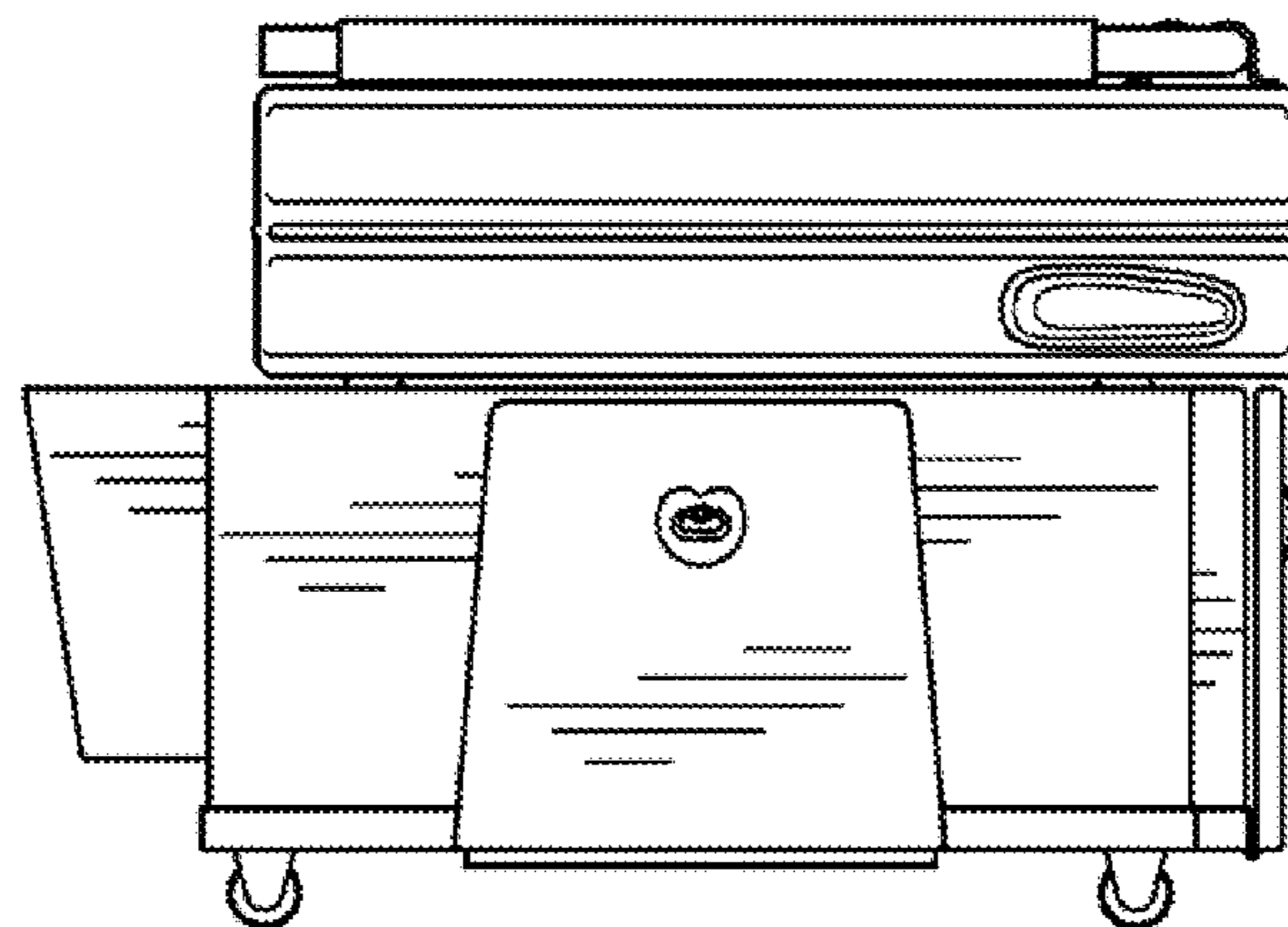


FIG. 7



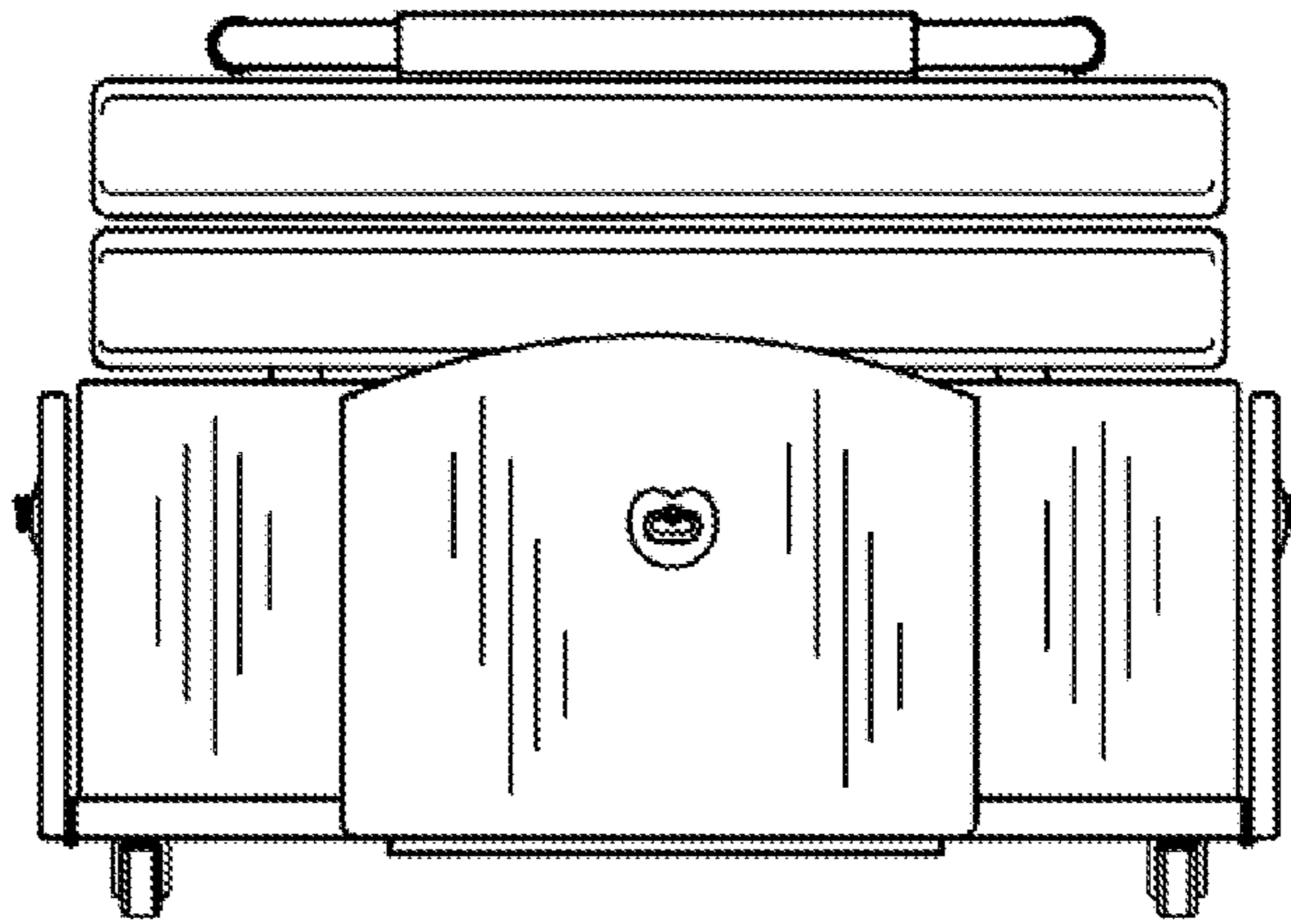


FIG. 8

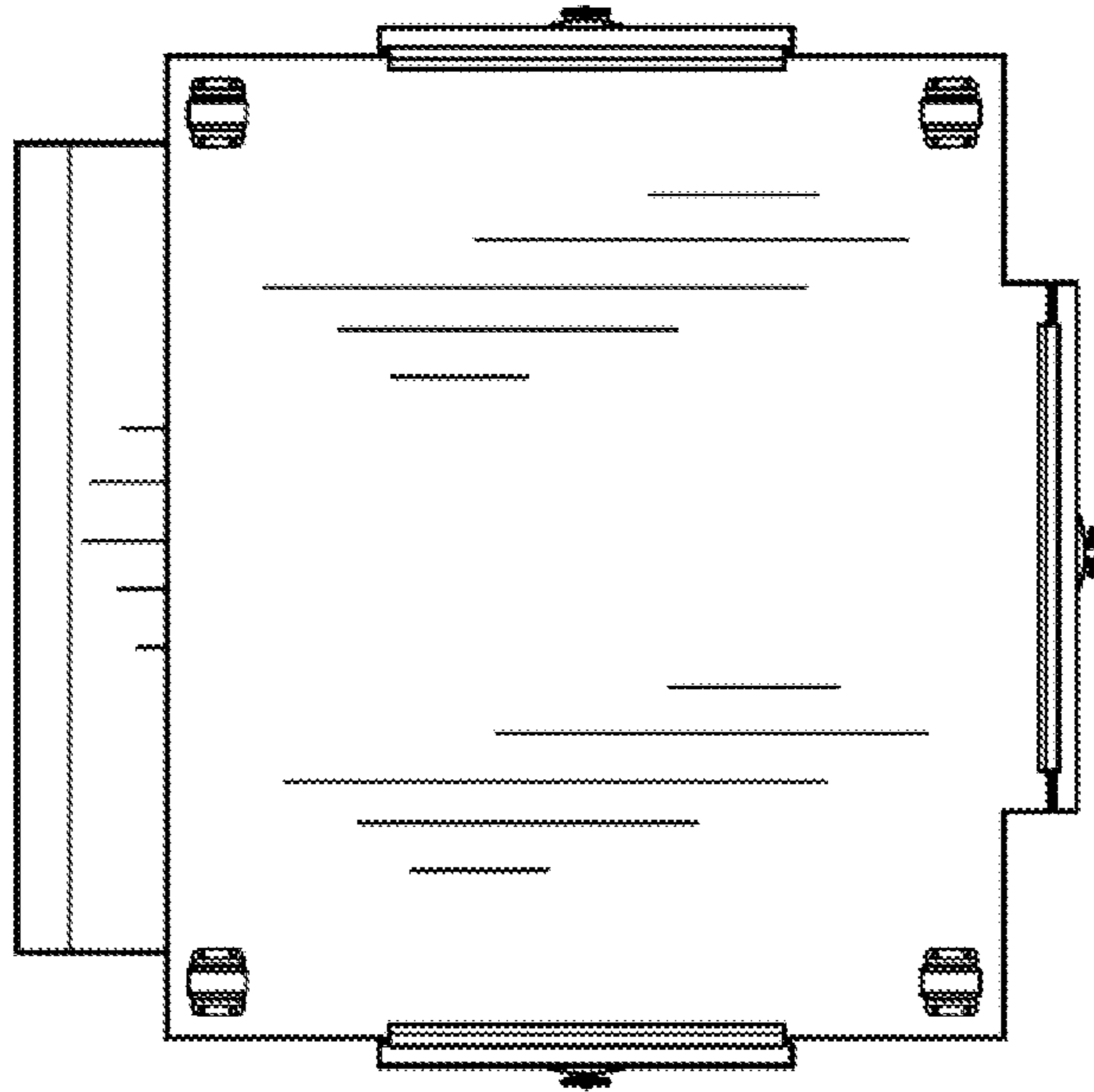


FIG. 9

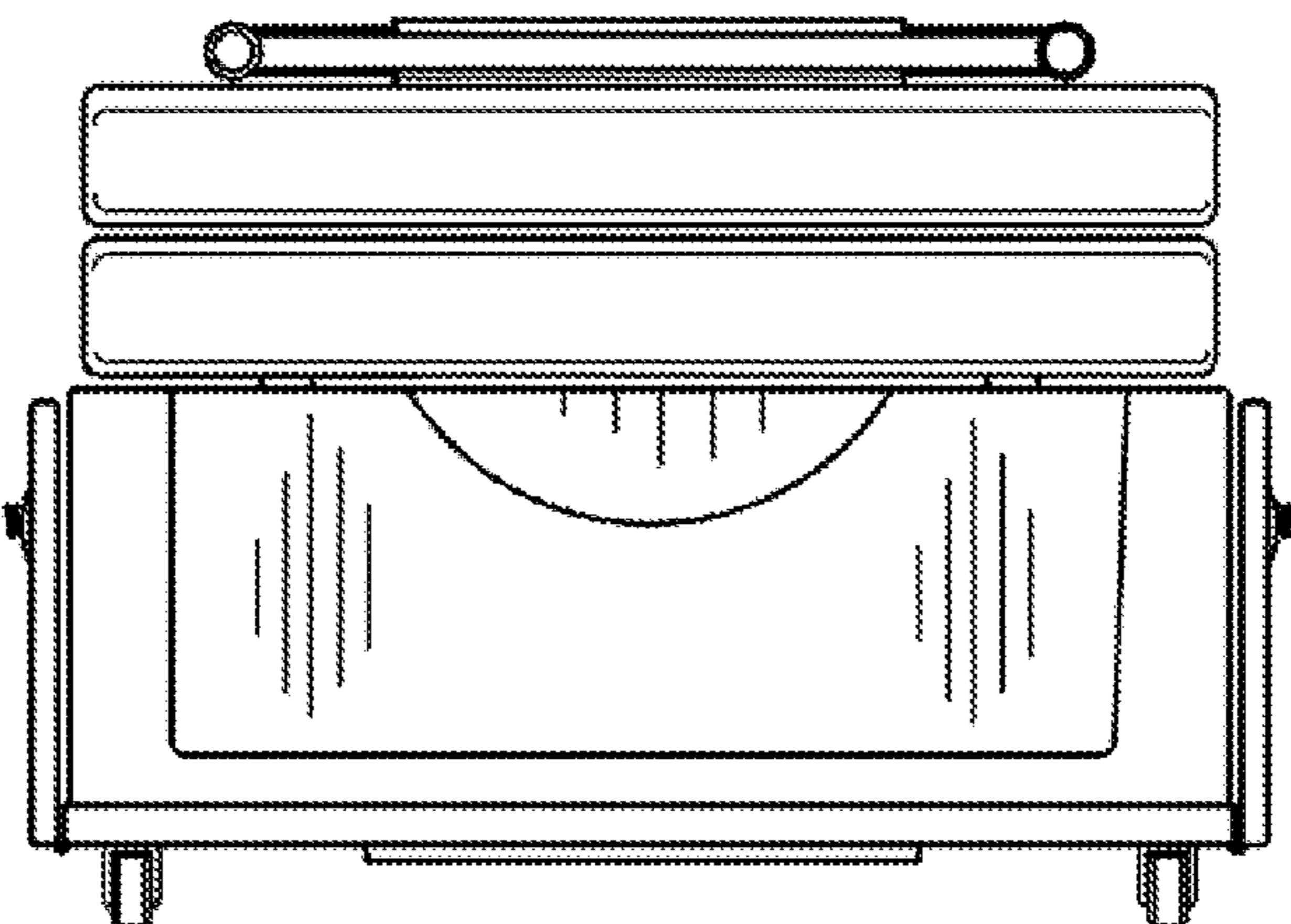


FIG. 10