



US00D637271S

(12) **United States Design Patent**  
**Lin**

(10) **Patent No.:** **US D637,271 S**

(45) **Date of Patent:** **\*\* May 3, 2011**

(54) **FAUCET**

(76) **Inventor:** **Ming-Shaun Lin**, Taichung Hsien (TW)

(\*\*) **Term:** **14 Years**

(21) **Appl. No.:** **29/362,824**

(22) **Filed:** **Jun. 1, 2010**

(51) **LOC (9) Cl.** ..... **23-01**

(52) **U.S. Cl.** ..... **D23/238**

(58) **Field of Classification Search** ..... D23/238,  
D23/242-243, 250, 252-254, 255, 257; 4/675-678;  
137/801

See application file for complete search history.

(56) **References Cited**

**U.S. PATENT DOCUMENTS**

D267,111 S \* 11/1982 Arnolds ..... D23/242  
D364,214 S \* 11/1995 Lobermeier ..... D23/238

D550,812 S \* 9/2007 Haug et al. .... D23/238  
D602,121 S \* 10/2009 Yabe et al. .... D23/238  
D608,863 S \* 1/2010 Pan ..... D23/255  
D615,162 S \* 5/2010 Pan ..... D23/255

\* cited by examiner

*Primary Examiner* — Robert A Delehanty

(74) *Attorney, Agent, or Firm* — Reed Smith LLP

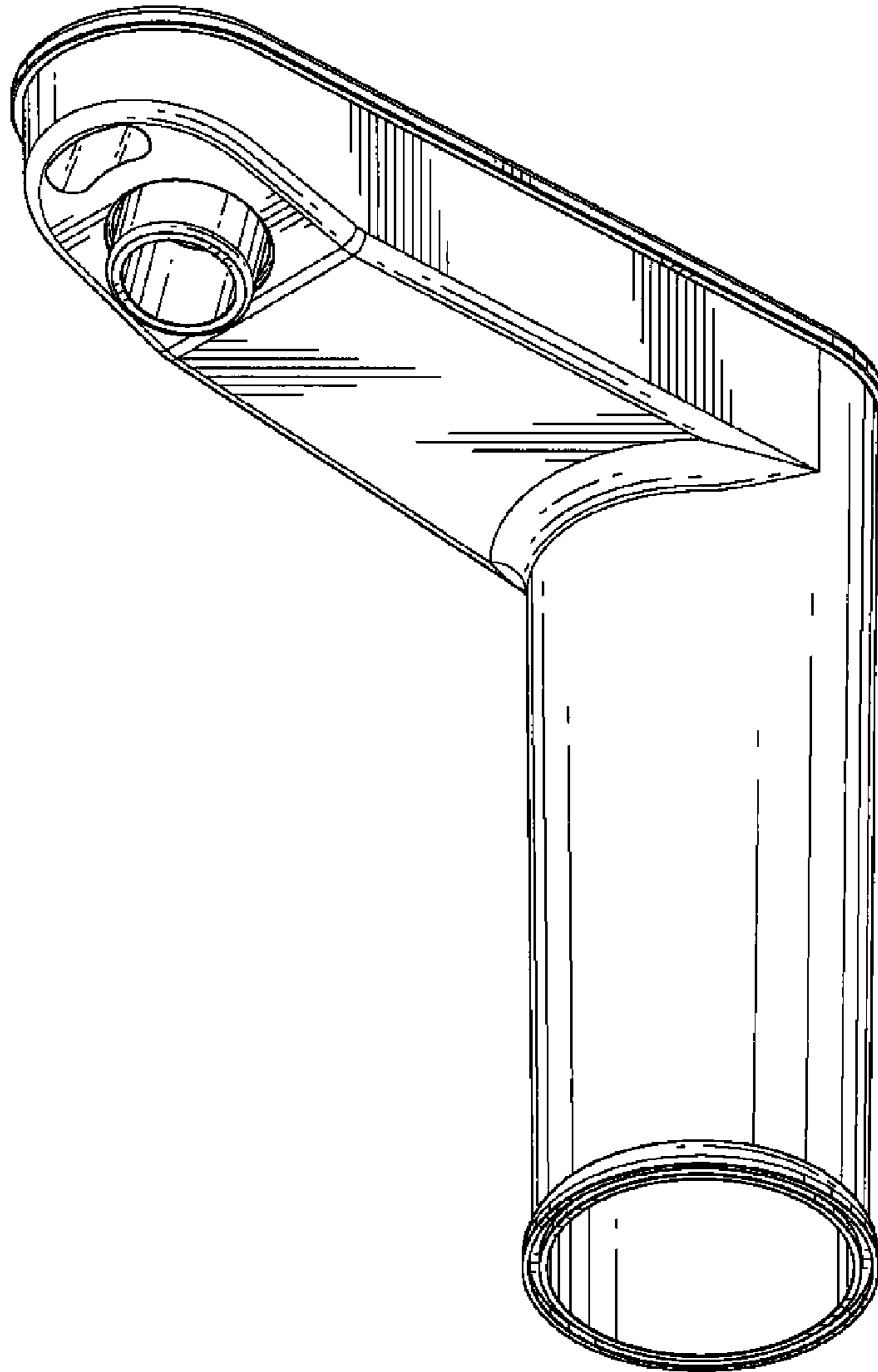
(57) **CLAIM**

The ornamental design for faucet, as shown and described.

**DESCRIPTION**

FIG. 1 is a perspective view of faucet showing my new design;  
FIG. 2 is a front elevational view thereof;  
FIG. 3 is a rear elevational view thereof;  
FIG. 4 is a left side elevational view thereof;  
FIG. 5 is a right side elevational view thereof; and,  
FIG. 6 is a top plan view thereof.

**1 Claim, 6 Drawing Sheets**



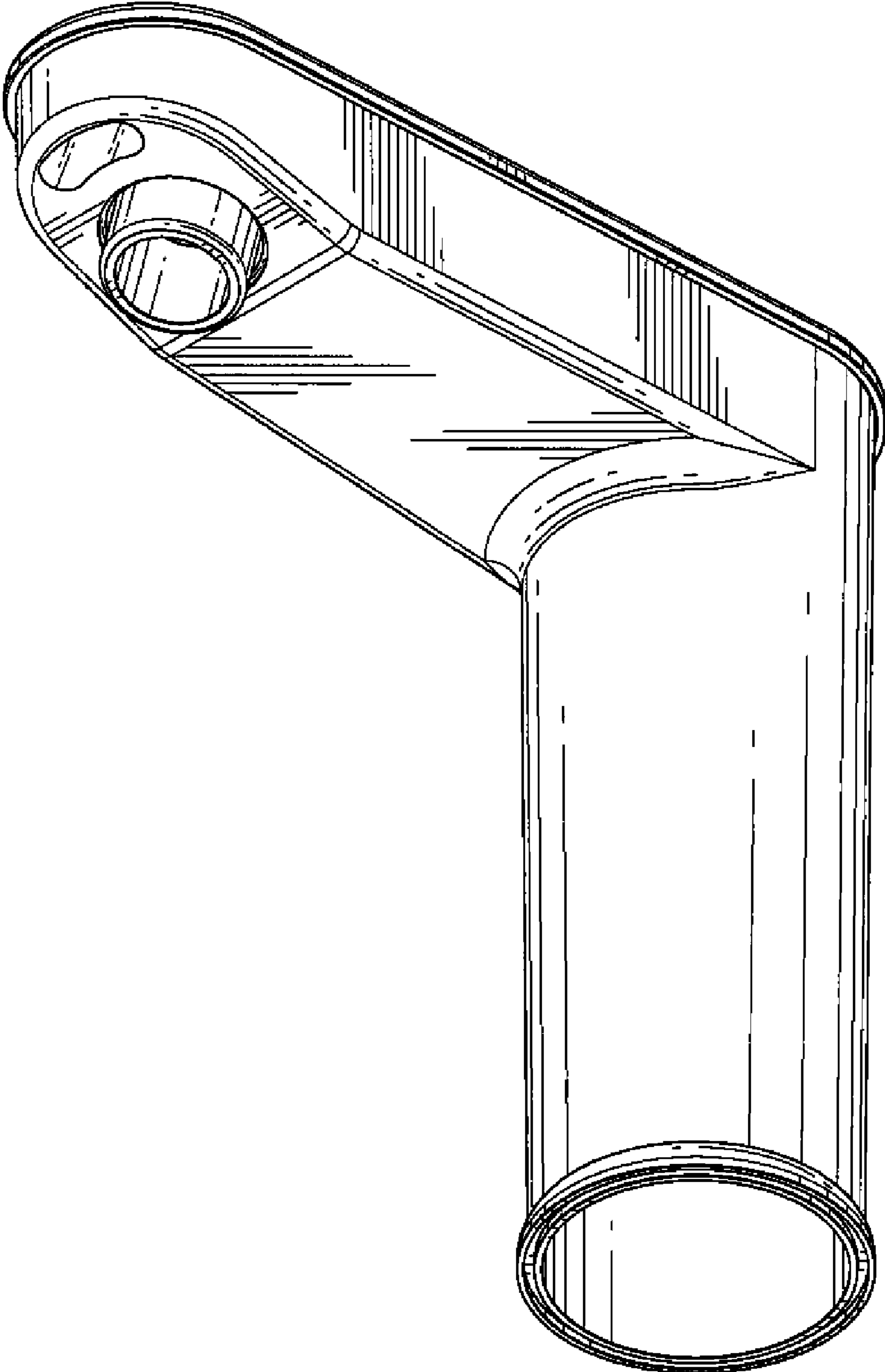


FIG. 1

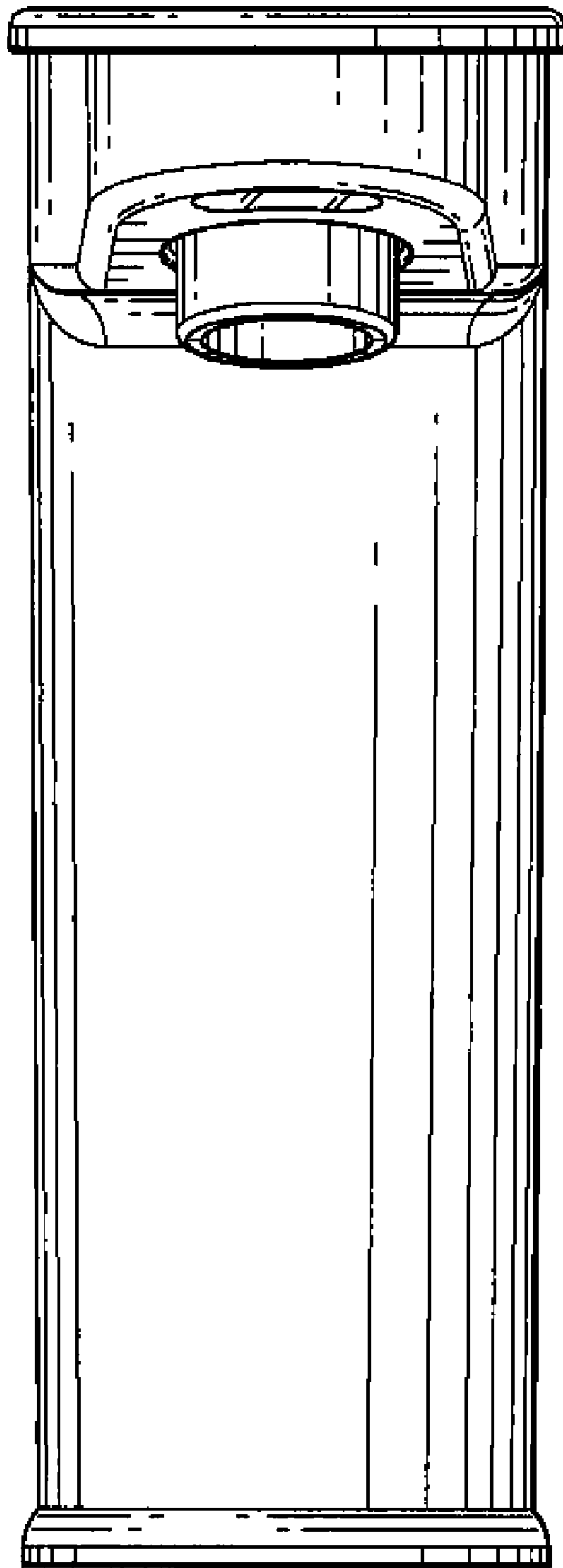


FIG. 2

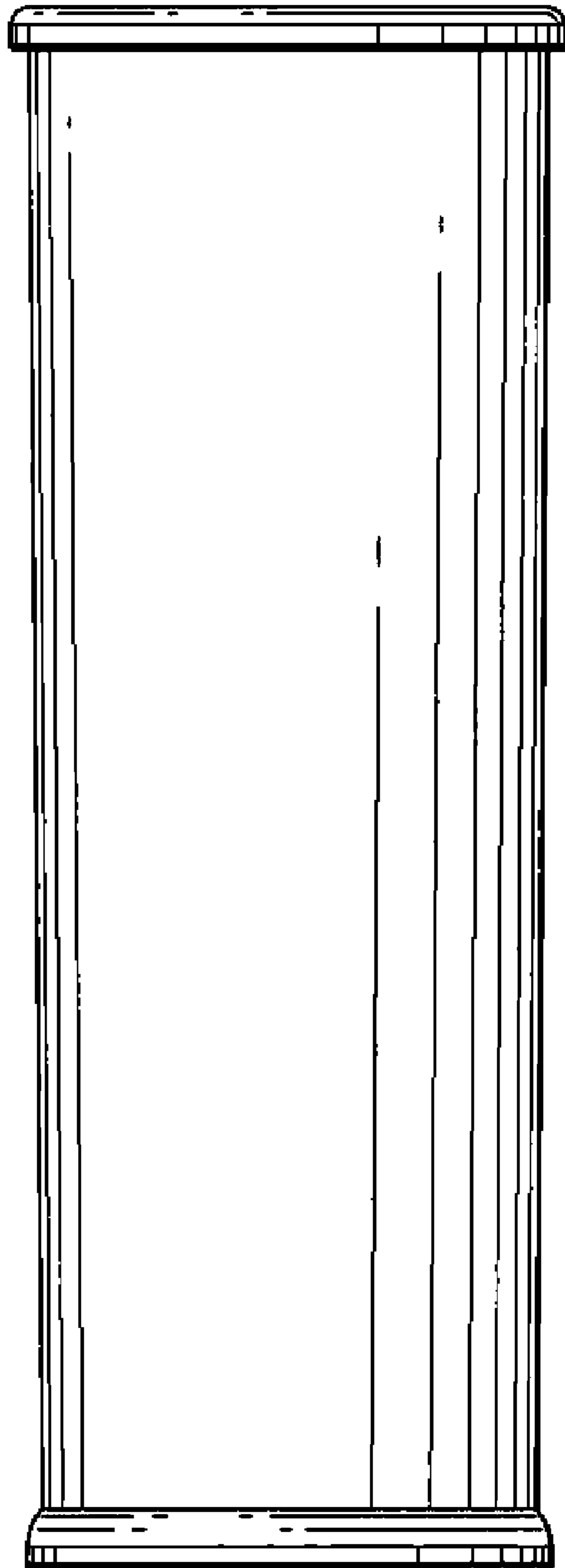


FIG. 3

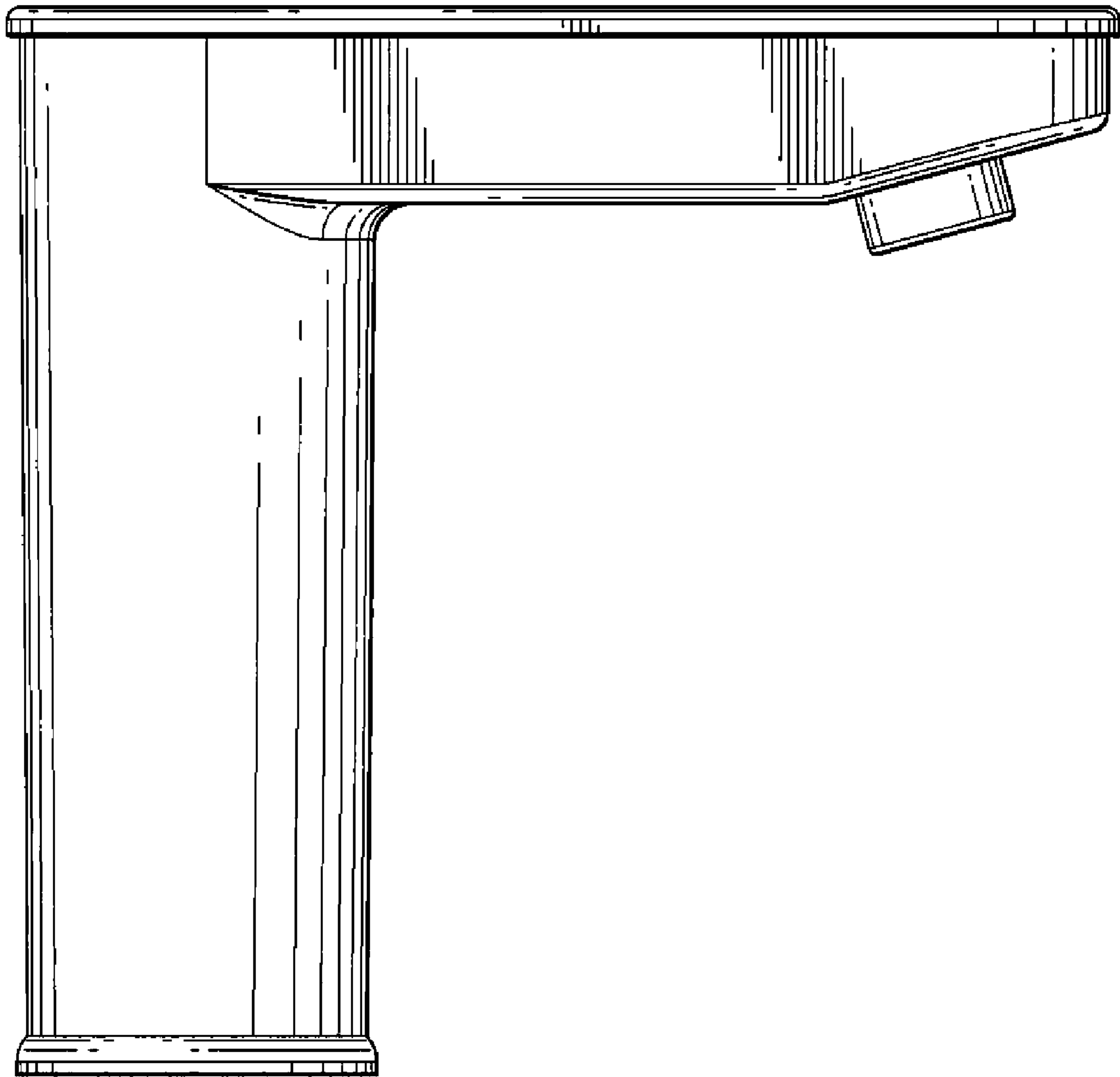


FIG. 4

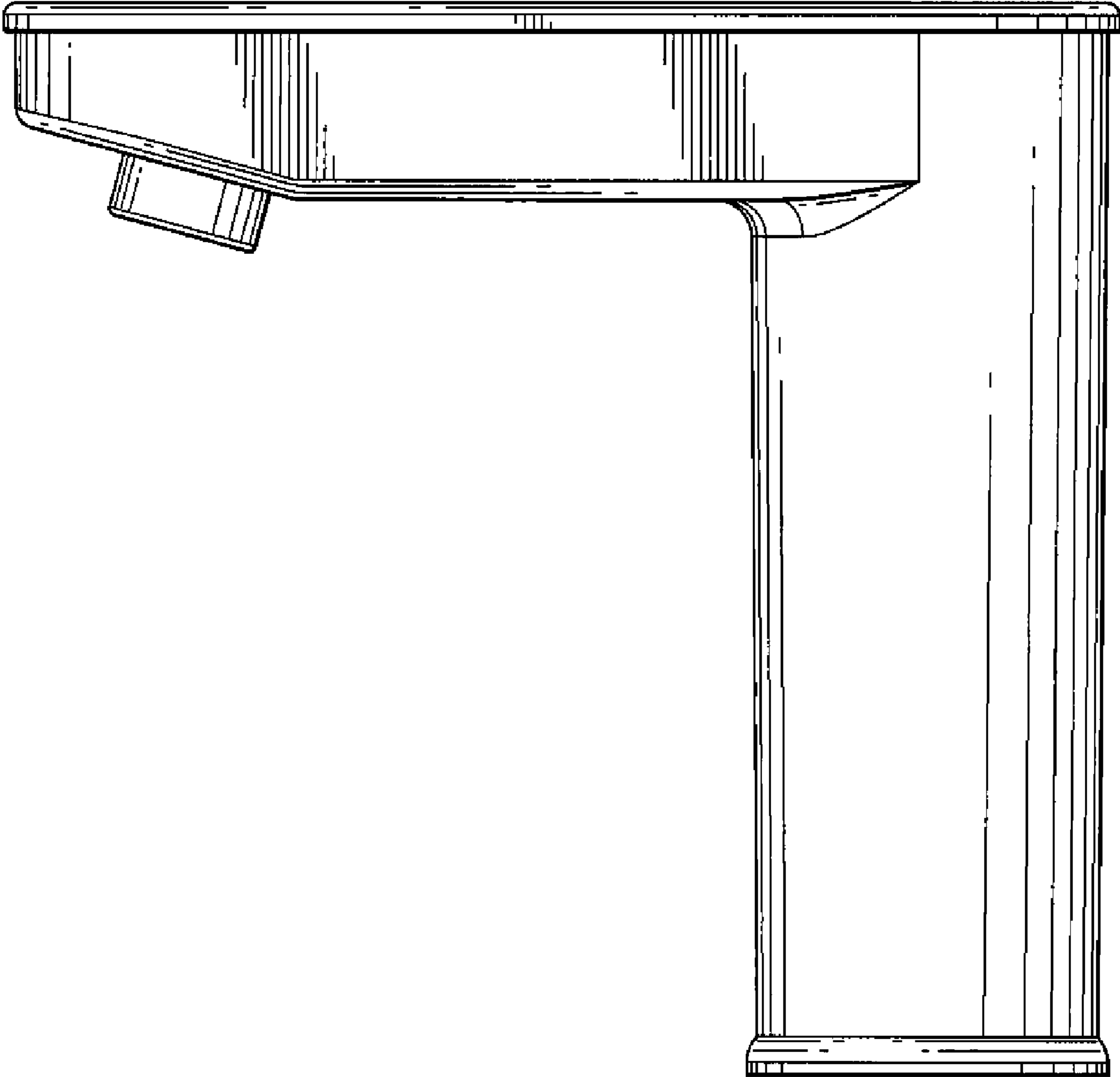


FIG. 5

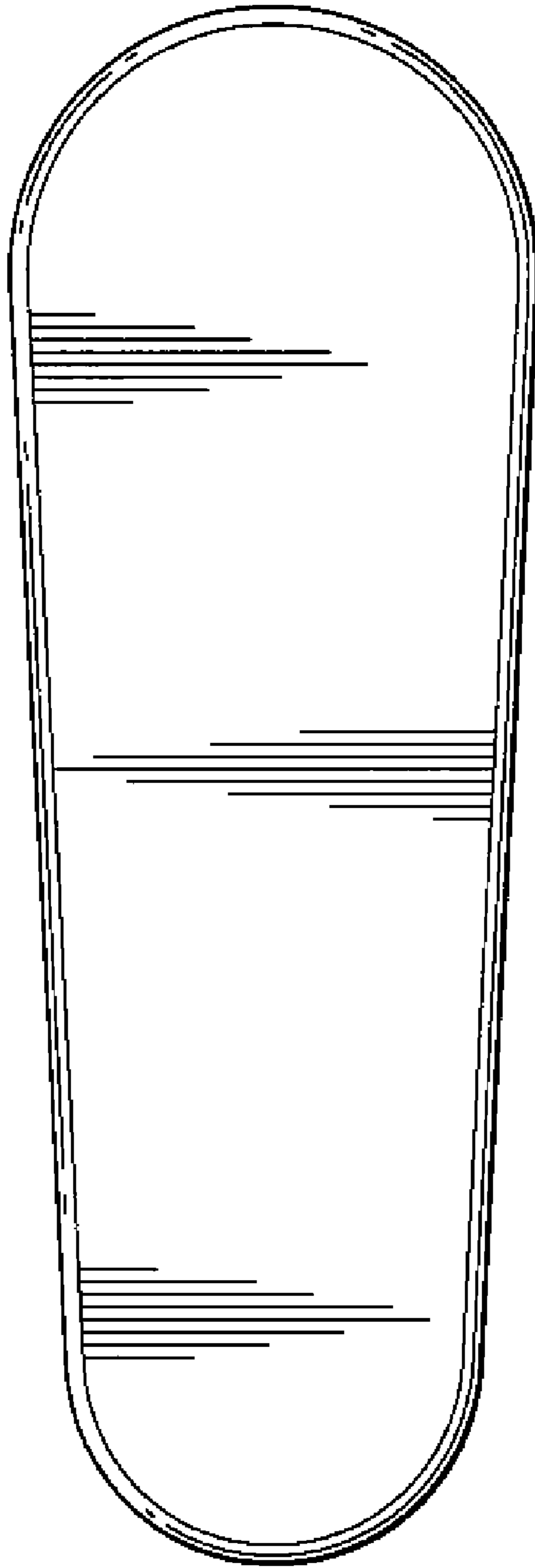


FIG. 6