



US00D637270S

(12) **United States Design Patent**
Nicolia et al.

(10) **Patent No.:** **US D637,270 S**

(45) **Date of Patent:** **** *May 3, 2011**

(54) **PRESSURE REGULATOR**

(75) Inventors: **Jeffrey Nicolia**, Oneida, NY (US);
Jeffrey Plantz, Clinton, NY (US)

(73) Assignee: **The Fountainhead Group, Inc.**, New York Mills, NY (US)

(*) Notice: This patent is subject to a terminal disclaimer.

(**) Term: **14 Years**

(21) Appl. No.: **29/337,397**

(22) Filed: **May 21, 2009**

(51) **LOC (9) Cl.** **23-01**

(52) **U.S. Cl.** **D23/235**

(58) **Field of Classification Search** D23/233,
D23/235-237, 248-249; 137/515.08, 515.09,
137/360, 391, 413-414

See application file for complete search history.

(56) **References Cited**

U.S. PATENT DOCUMENTS

D291,112 S * 7/1987 Clivio et al. D23/207
D400,779 S * 11/1998 Chen D8/347
D444,722 S * 7/2001 Honma D10/85

D499,464 S * 12/2004 Caine D23/236
D504,715 S * 5/2005 Hagihara D23/235
D526,046 S * 8/2006 Lin D23/235
D600,780 S * 9/2009 Shishido D23/233

* cited by examiner

Primary Examiner — Cathron C. Brooks

Assistant Examiner — Maurice Stevens

(74) *Attorney, Agent, or Firm* — George R. McGuire; Bond Schoeneck & King, PLLC

(57) **CLAIM**

The ornamental design for a pressure regulator, as shown and described.

DESCRIPTION

FIG. 1 is a perspective view of a new and ornamental design for a pressure regulator;
FIG. 2 is a front elevation view thereof;
FIG. 3 is a rear elevation view thereof;
FIG. 4 is a first side elevation view thereof;
FIG. 5 is a second side elevation view thereof;
FIG. 6 is a bottom plan view thereof; and,
FIG. 7 is a top plan view thereof.
The broken lines showing unclaimed portions in FIG. 3 forms no part of the claimed design.

1 Claim, 4 Drawing Sheets

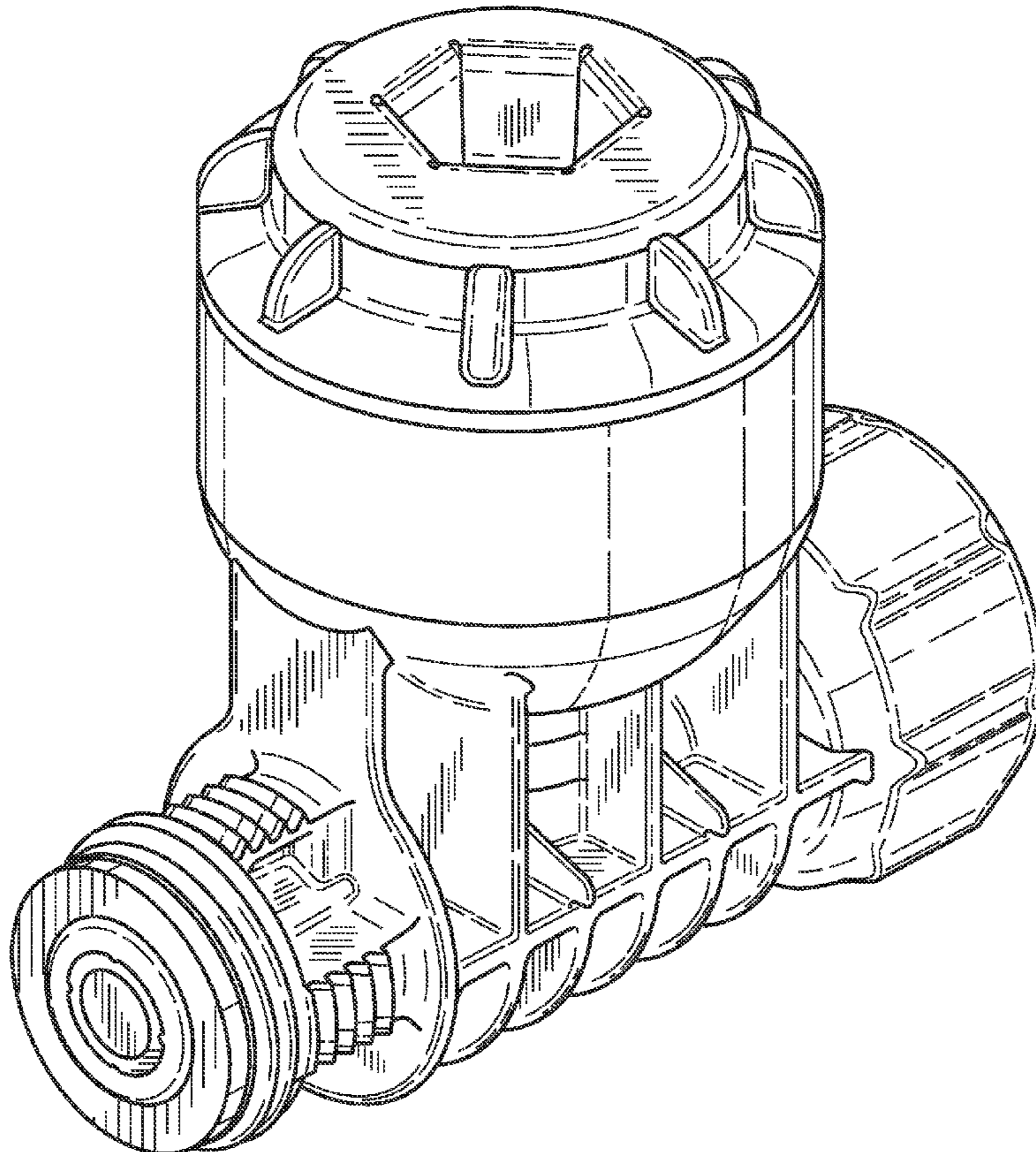


Fig. 1

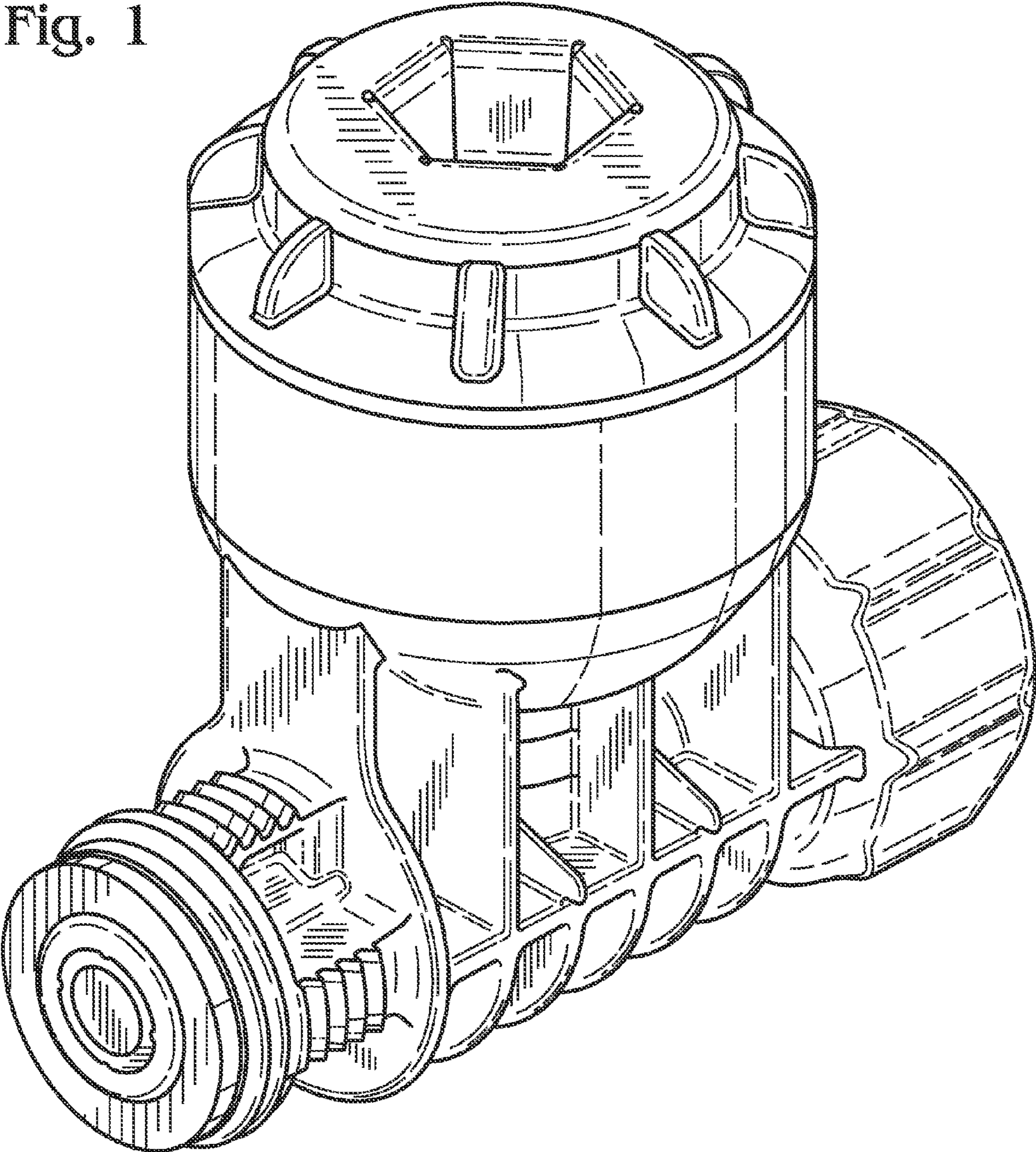


Fig. 3

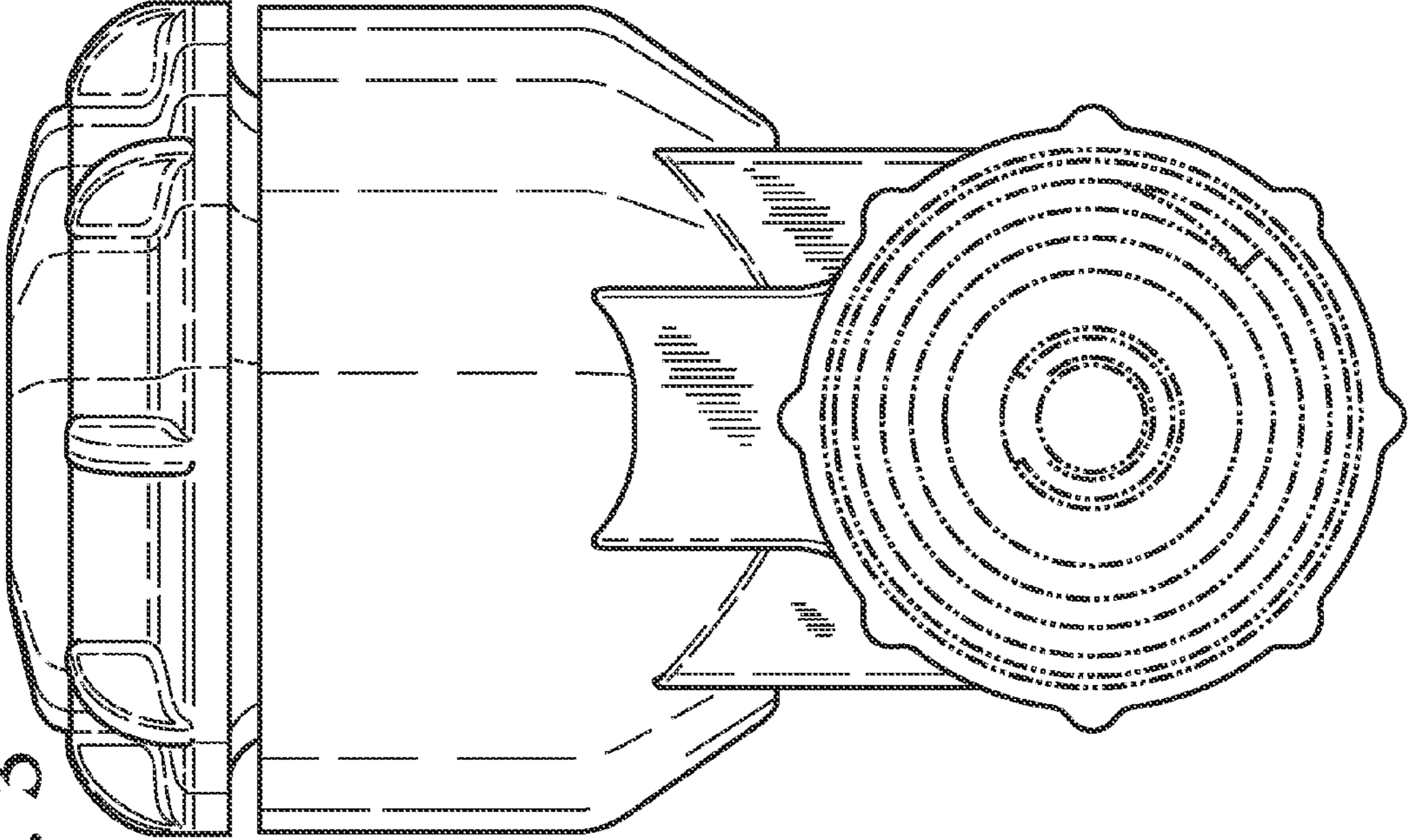


Fig. 2

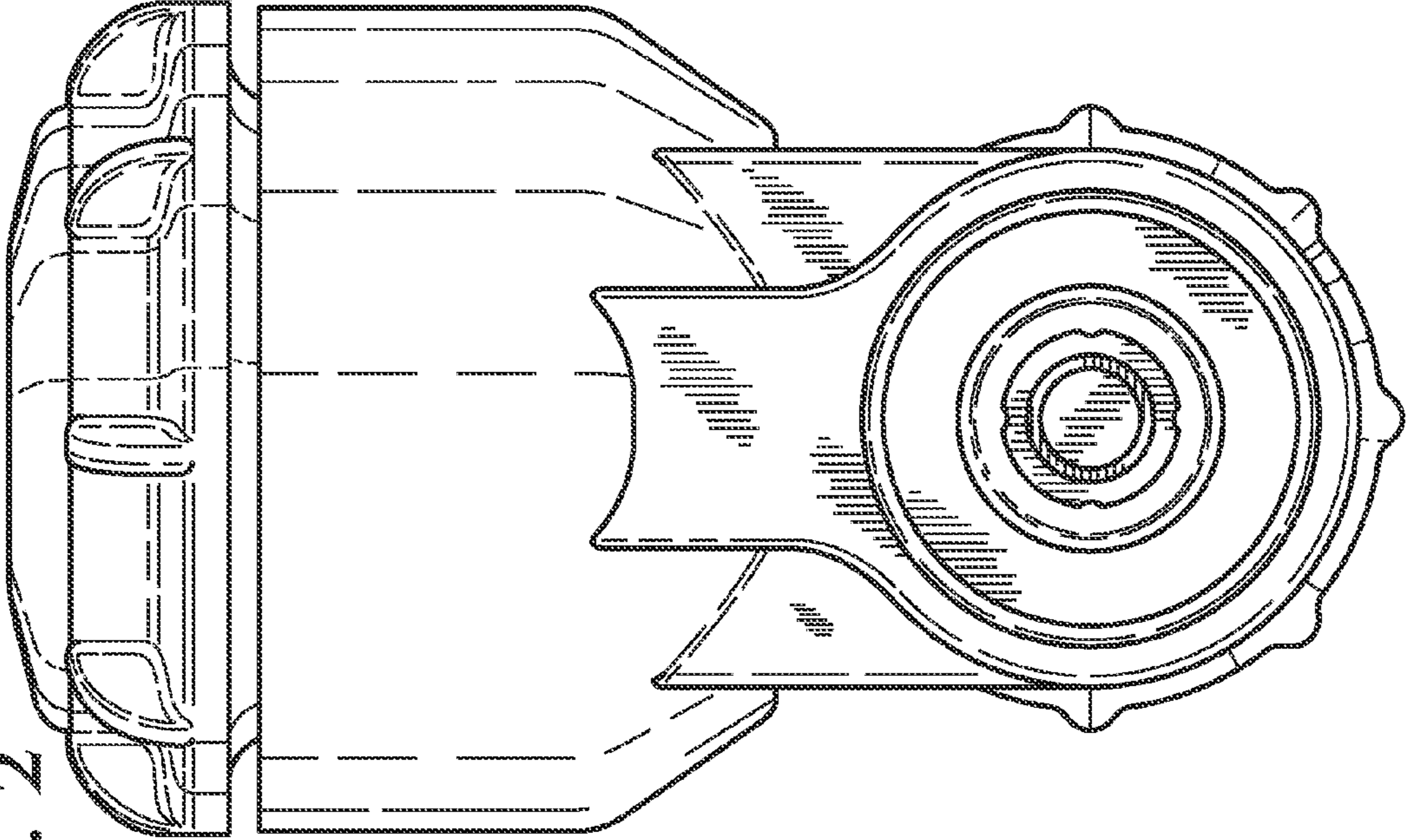


Fig. 4

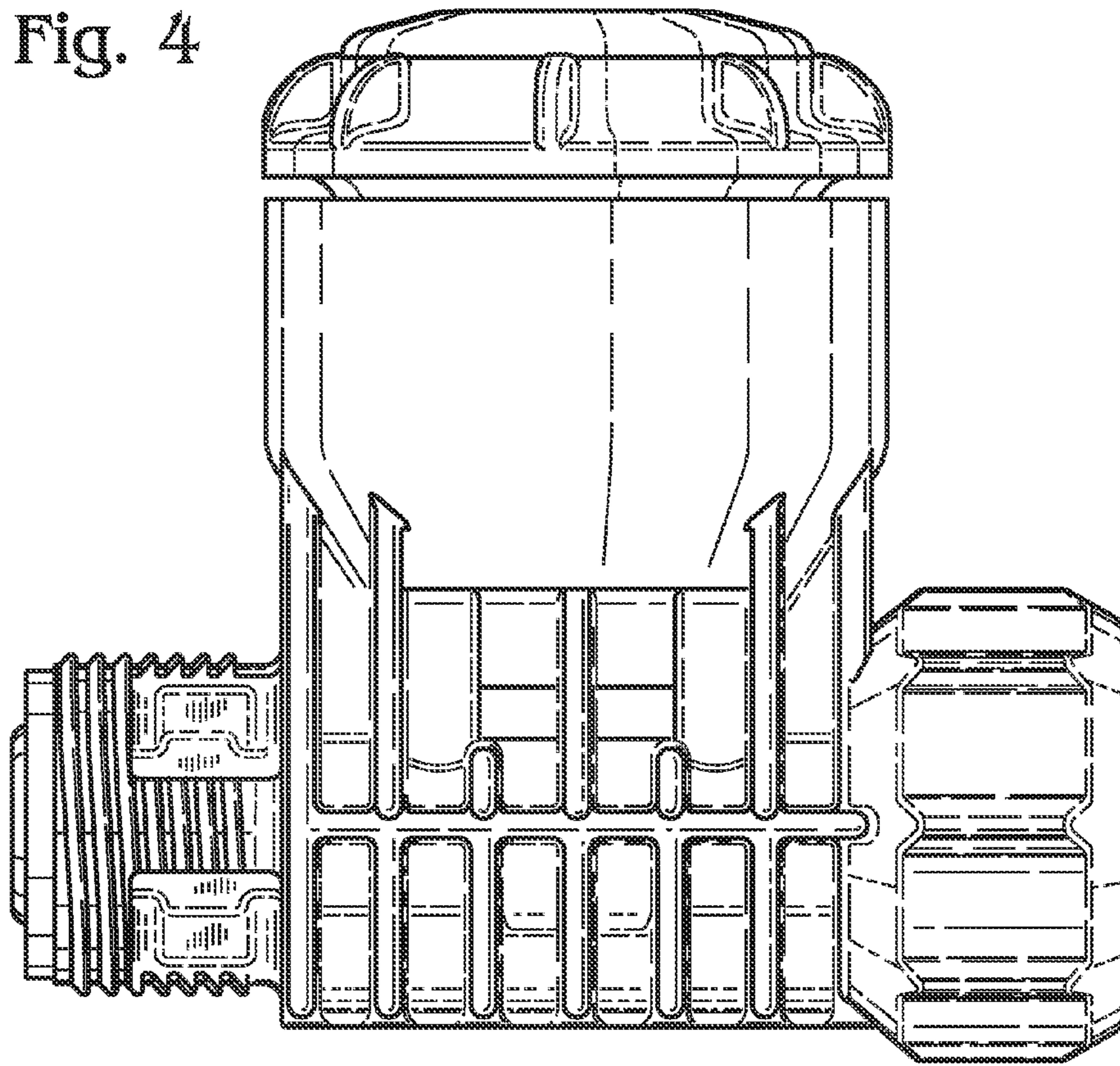
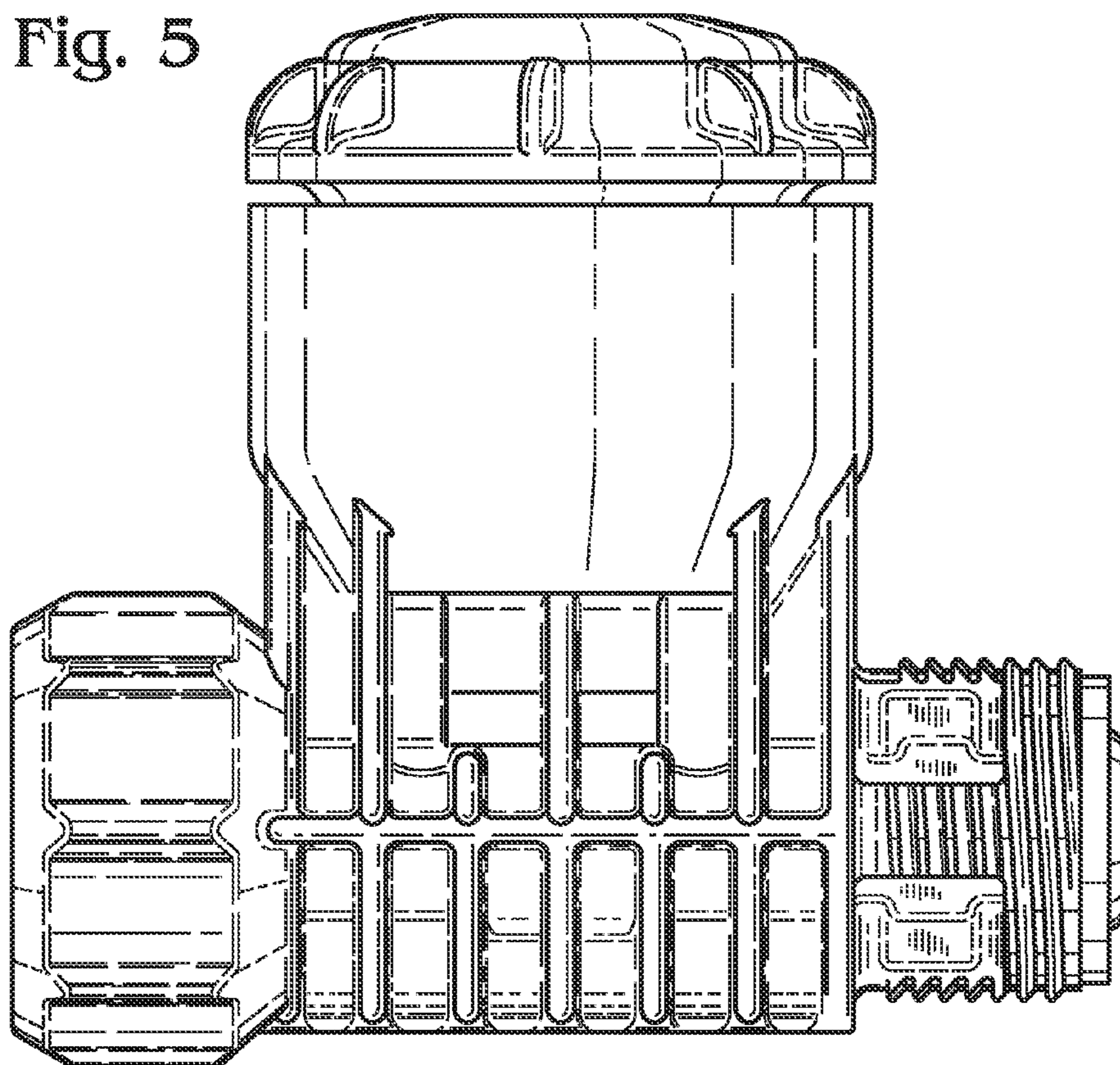


Fig. 5



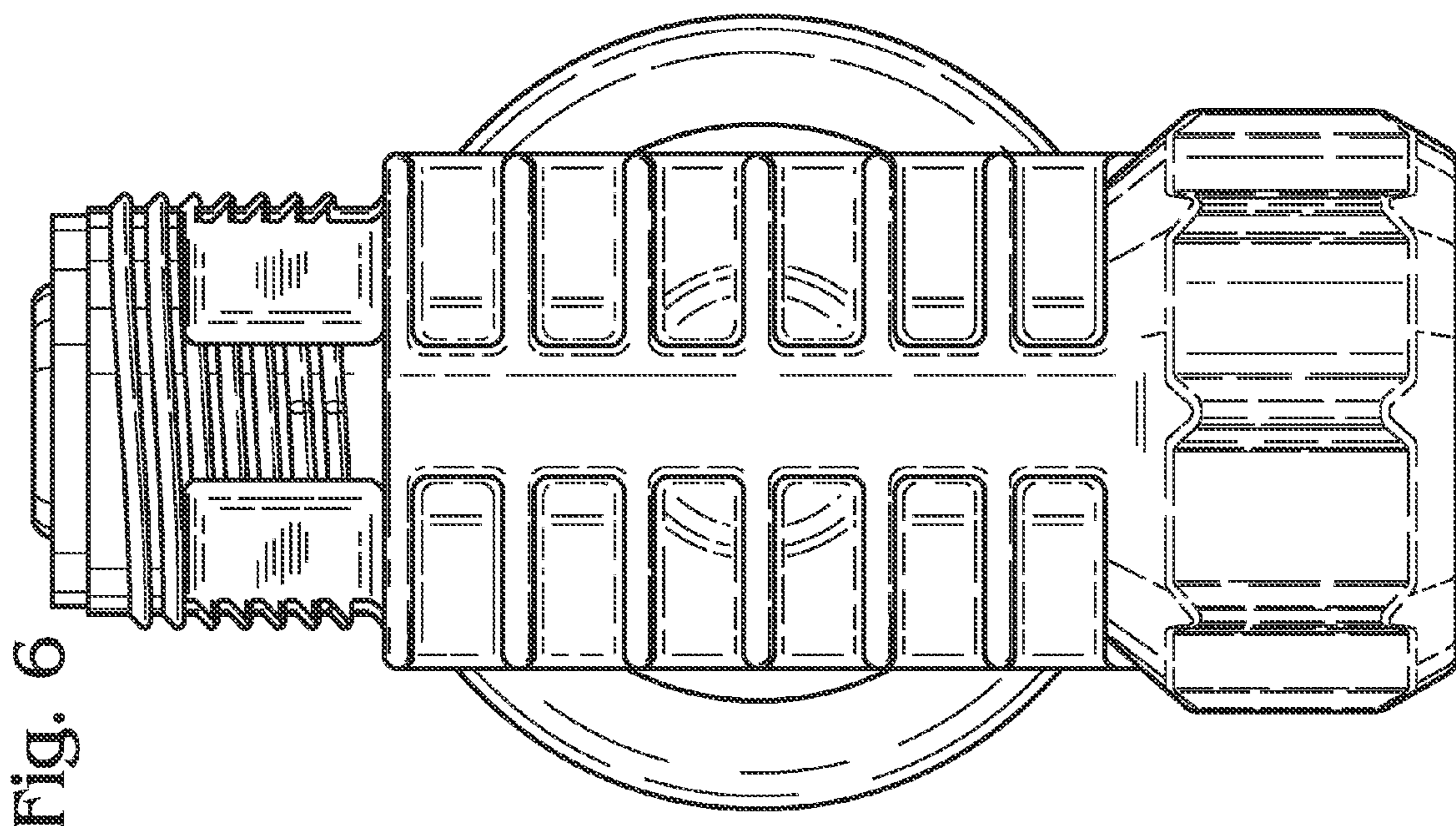
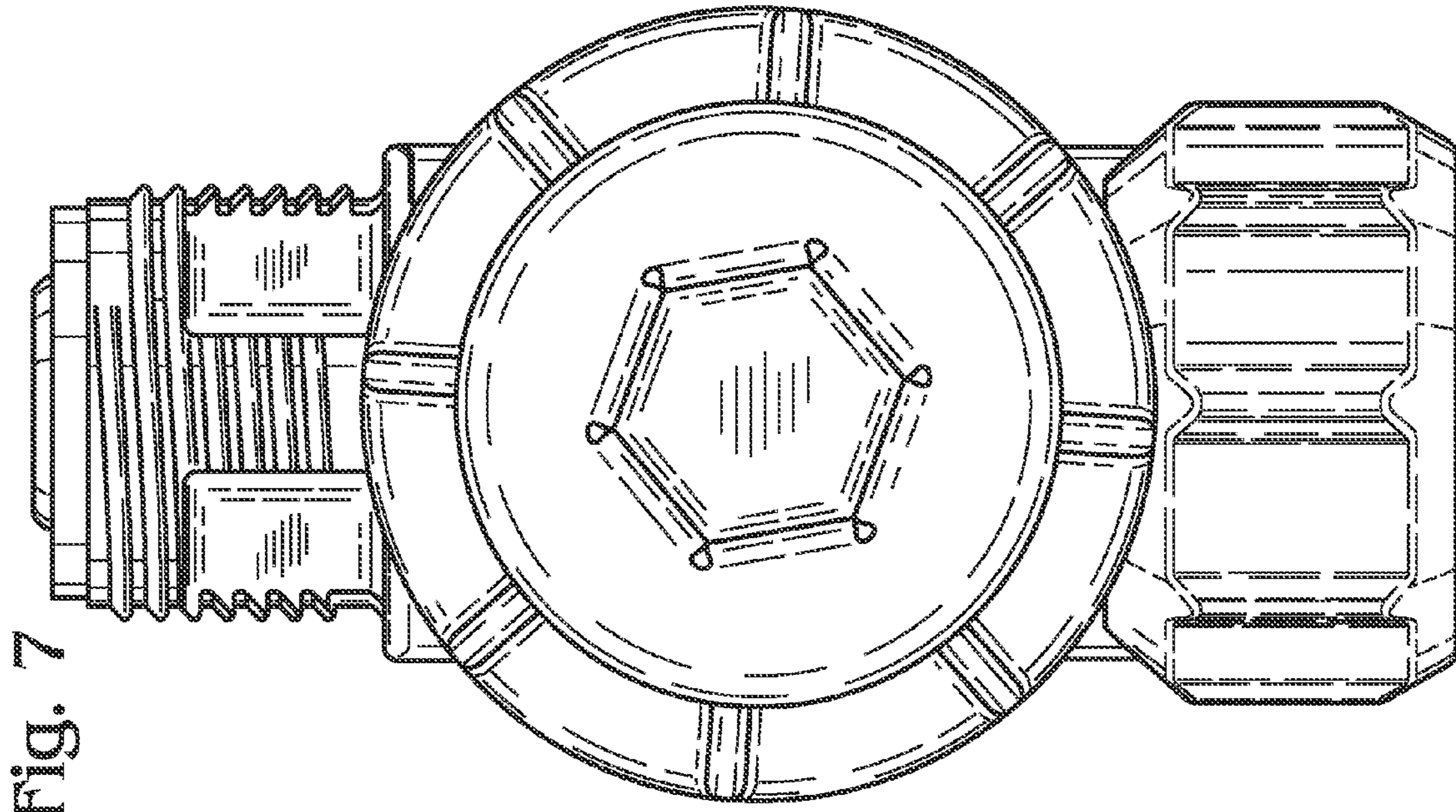


Fig. 7

Fig. 6