



US00D637269S

(12) **United States Design Patent**
Wang

(10) **Patent No.:** **US D637,269 S**

(45) **Date of Patent:** **** May 3, 2011**

(54) **PNEUMATIC GUN**

(76) Inventor: **Hsing-Tzu Wang**, Taichung (TW)

(**) Term: **14 Years**

(21) Appl. No.: **29/369,426**

(22) Filed: **Sep. 8, 2010**

(51) **LOC (9) Cl.** **23-01**

(52) **U.S. Cl.** **D23/226**

(58) **Field of Classification Search** D23/213,
D23/223, 226; 239/525, 526, 690, 690.1

See application file for complete search history.

D604,394 S * 11/2009 Wang D23/226

D607,972 S * 1/2010 Wang D23/226

D614,731 S * 4/2010 Wang D23/226

* cited by examiner

Primary Examiner — Robin V Webster

(74) *Attorney, Agent, or Firm* — Harry K. Ahn; Abelman
Frayne & Schwab

(57) **CLAIM**

The ornamental design for pneumatic gun, as shown and
described.

DESCRIPTION

FIG. 1 is a perspective view of pneumatic gun showing my
new design;

FIG. 2 is a front elevational view thereof;

FIG. 3 is a rear elevational view thereof;

FIG. 4 is a left side elevational view thereof;

FIG. 5 is a right side elevational view thereof;

FIG. 6 is a top plan view thereof; and,

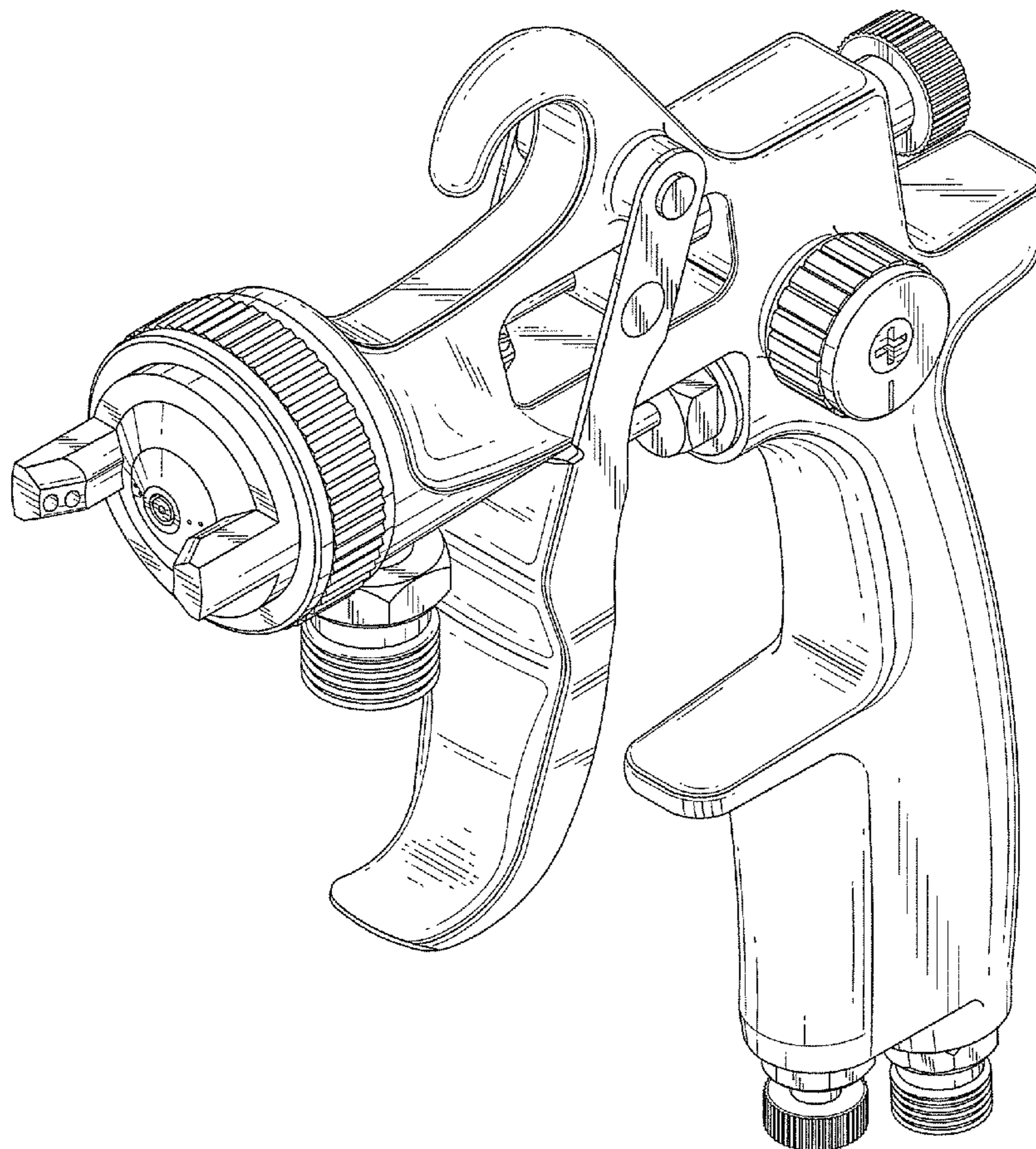
FIG. 7 is a bottom plan view thereof.

1 Claim, 7 Drawing Sheets

(56) **References Cited**

U.S. PATENT DOCUMENTS

D409,719 S *	5/1999	Kaneko	D23/226
D523,111 S *	6/2006	Huang	D23/226
D548,816 S *	8/2007	Schmon et al.	D23/226
D551,321 S *	9/2007	Huang	D23/226
D563,505 S *	3/2008	Schmon et al.	D23/226
D570,448 S *	6/2008	Wang	D23/226
D574,928 S *	8/2008	Huang	D23/226
D583,013 S *	12/2008	Wang	D23/226



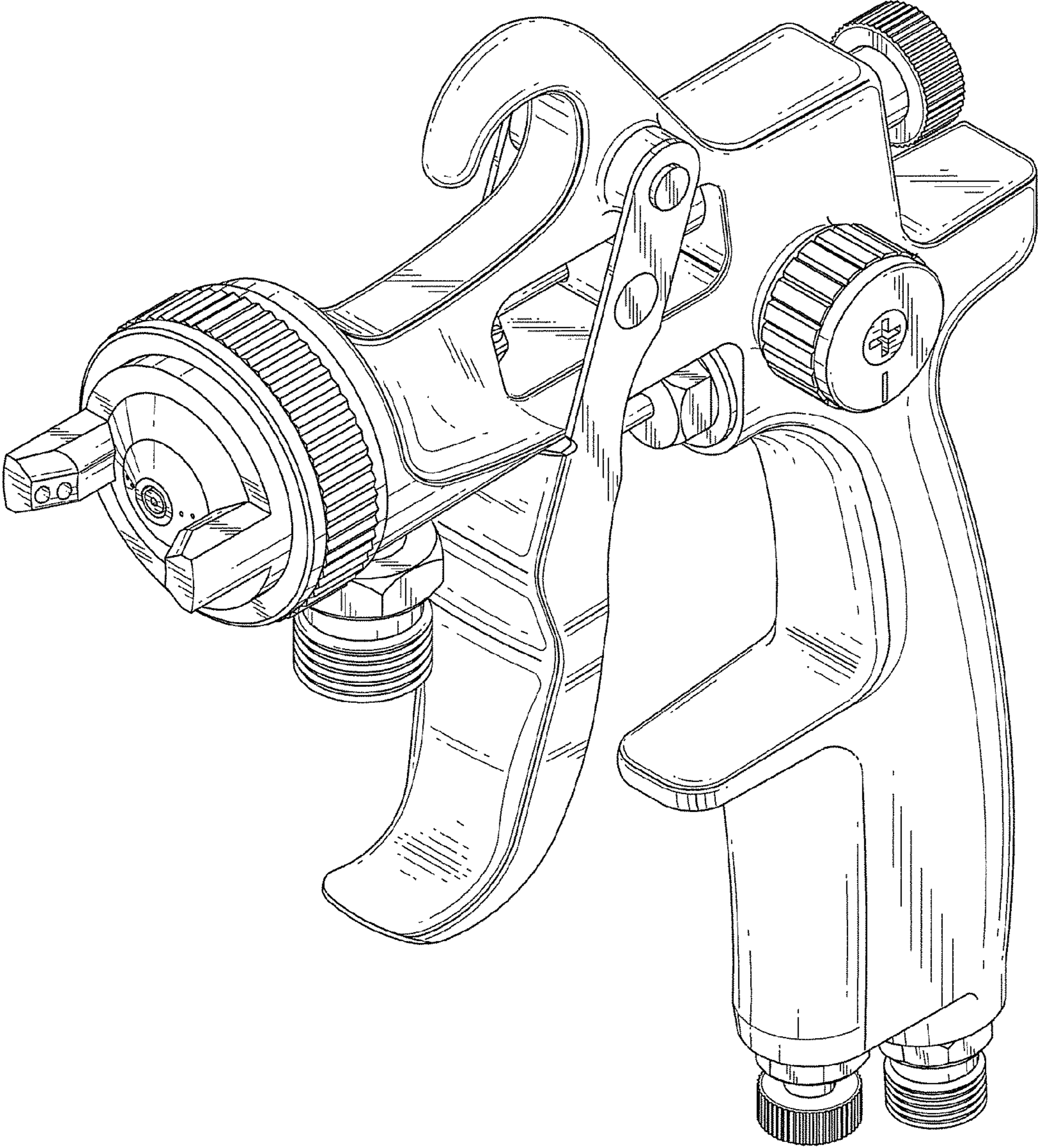


FIG. 1

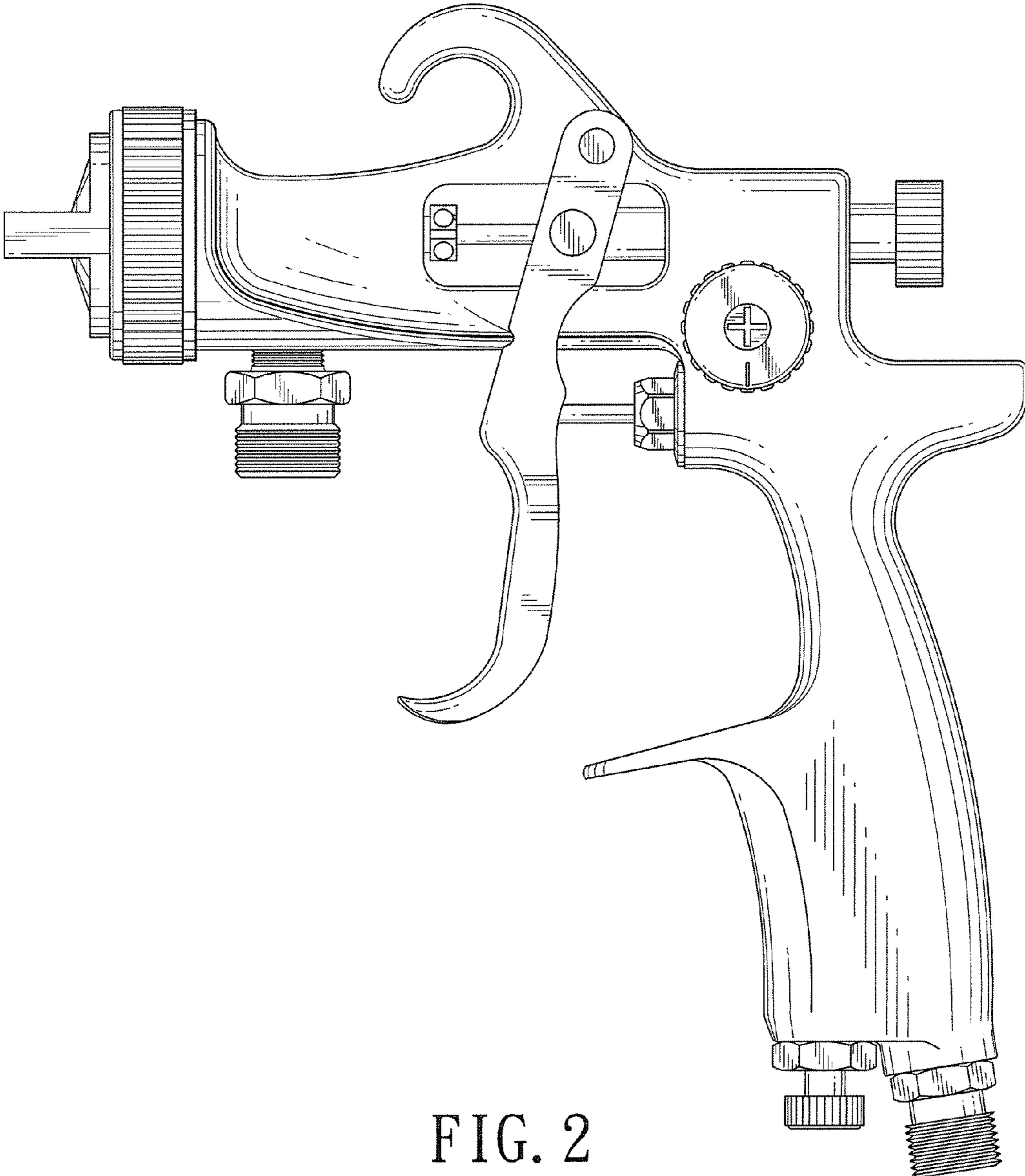


FIG. 2

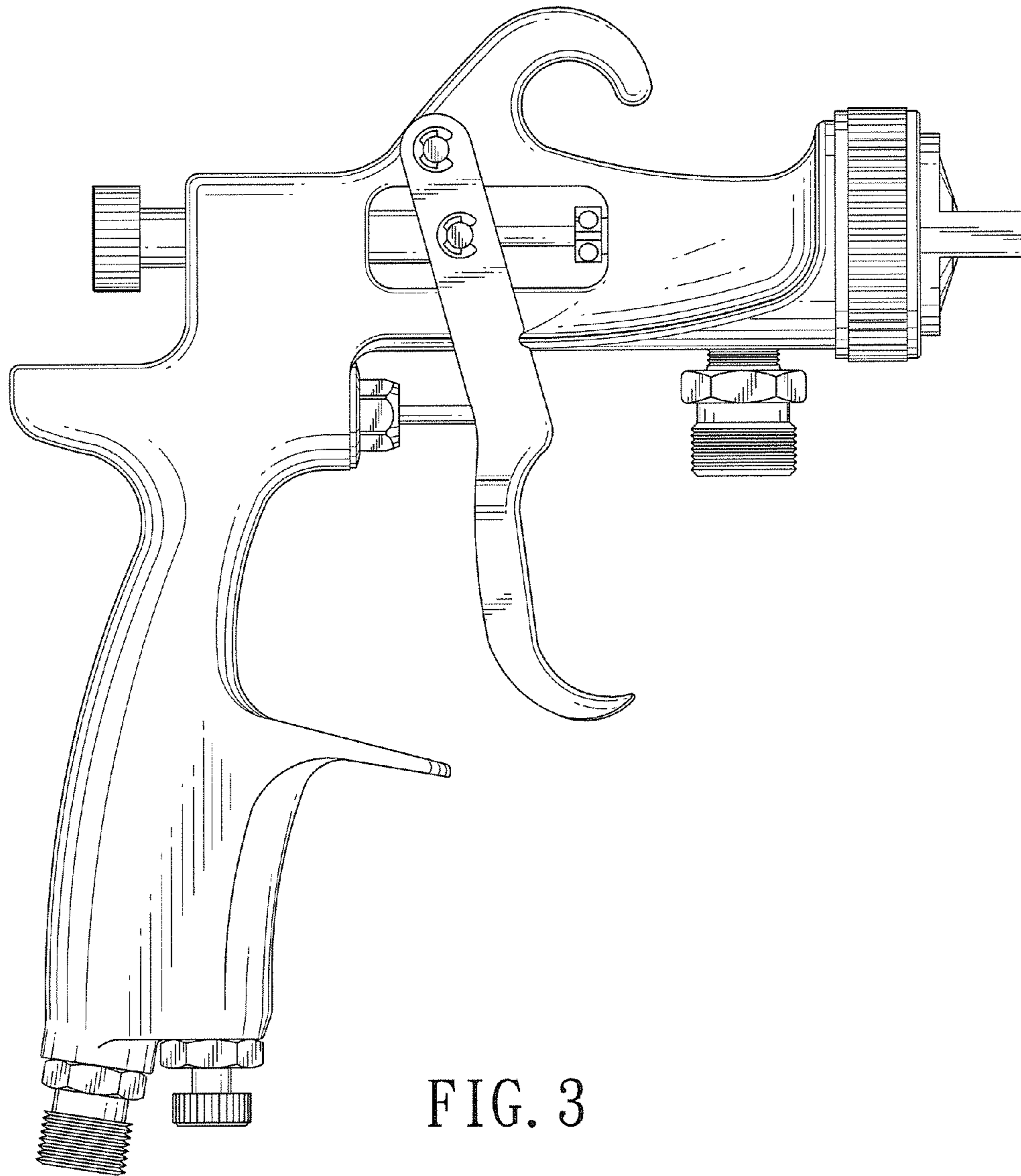


FIG. 3

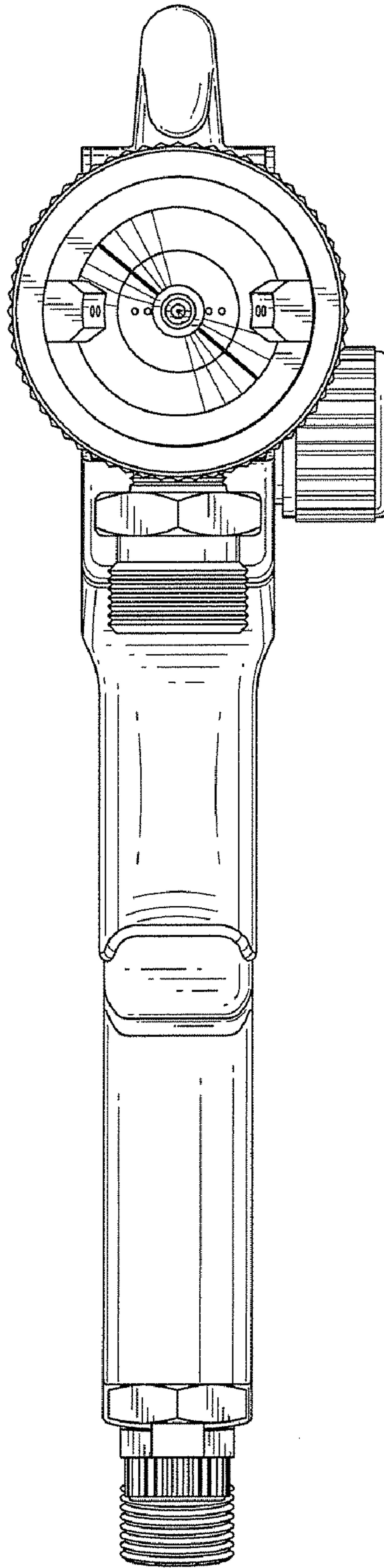


FIG. 4

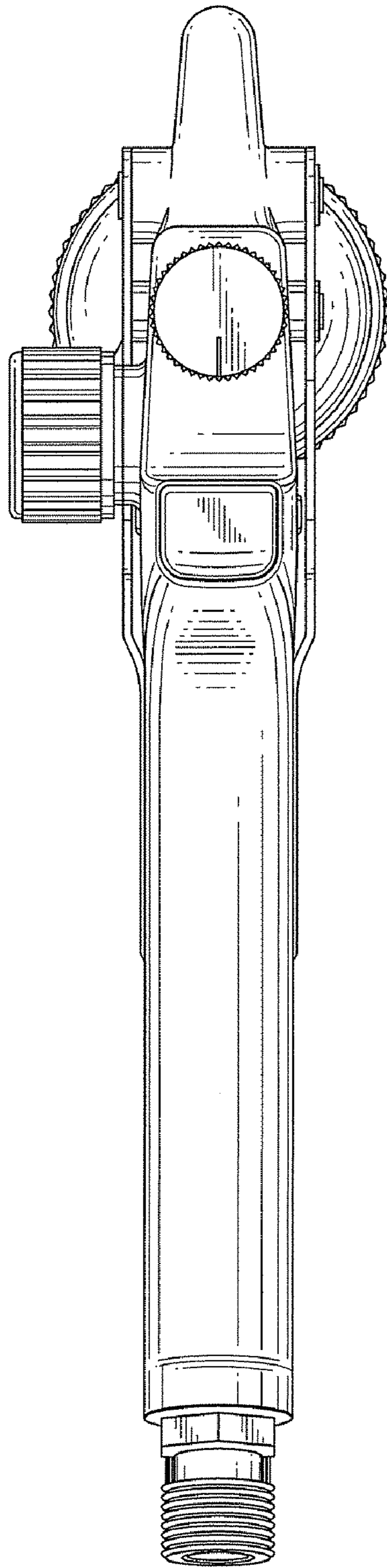


FIG. 5

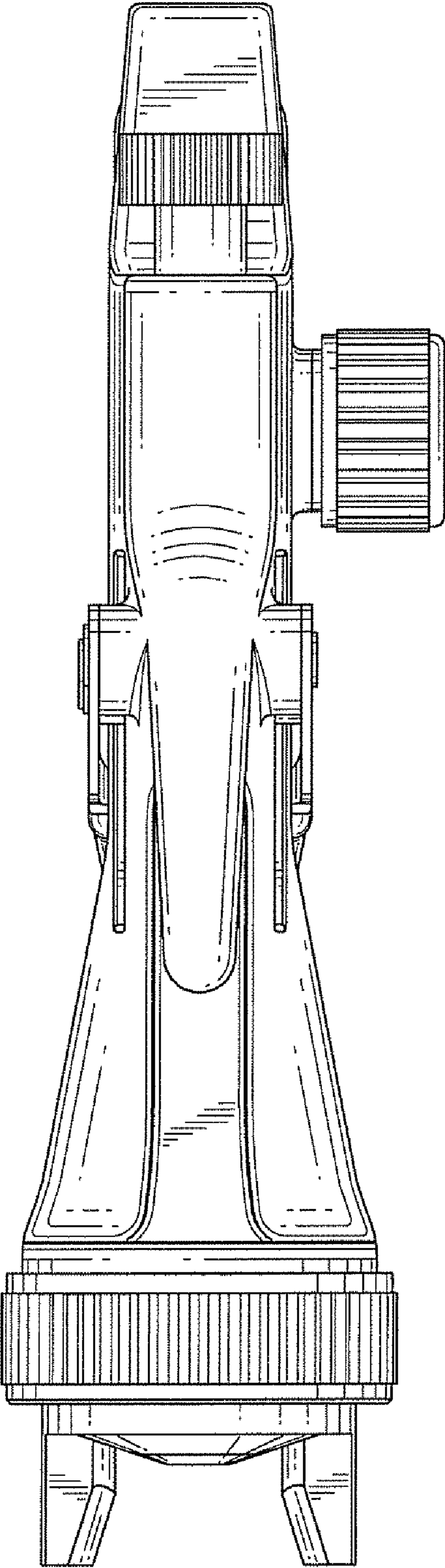


FIG. 6

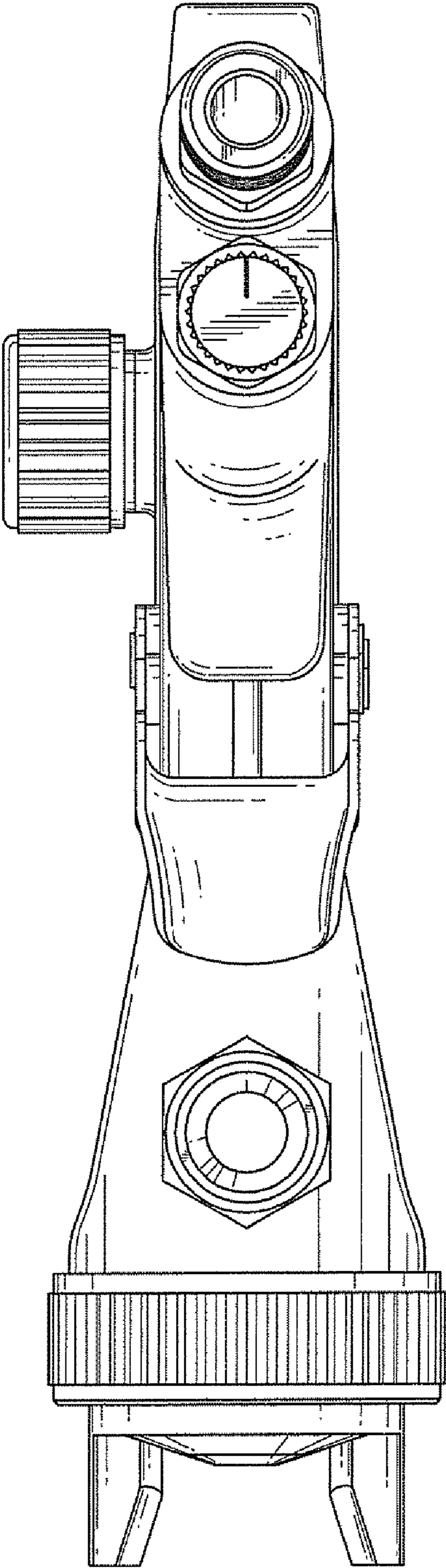


FIG. 7