



US00D637267S

(12) **United States Design Patent**
Suzuki et al.

(10) **Patent No.:** **US D637,267 S**
(45) **Date of Patent:** **** May 3, 2011**

(54) **NOZZLE FOR AN AIR BLAST PROCESS**

(75) Inventors: **Yukinori Suzuki**, Kitanagoya (JP);
Norihito Shibuya, Kitanagoya (JP)

(73) Assignee: **Sintokogio, Ltd.**, Aichi-ken (JP)

(**) Term: **14 Years**

(21) Appl. No.: **29/366,353**

(22) Filed: **Jul. 23, 2010**

(30) **Foreign Application Priority Data**

Jan. 27, 2010 (JP) 2010-001822

(51) **LOC (9) Cl.** **23-01**

(52) **U.S. Cl.** **D23/213**

(58) **Field of Classification Search** D23/213;
239/223, 225.1, 290, 291, 292, DIG. 22;
427/475; 118/300; D15/124, 126; 451/102
See application file for complete search history.

(56) **References Cited**

U.S. PATENT DOCUMENTS

3,318,534	A *	5/1967	Stolteben	239/291
3,984,054	A *	10/1976	Frochaux	239/424
3,985,302	A *	10/1976	Frochaux	239/424
5,155,946	A *	10/1992	Domann	451/75
6,053,431	A *	4/2000	Hurley et al.	239/492
D568,439	S *	5/2008	Fulkerson et al.	D23/213
7,442,112	B2 *	10/2008	Yoon	451/8
7,510,129	B2 *	3/2009	Kuronita et al.	239/556

FOREIGN PATENT DOCUMENTS

JP	4287528	B2	8/2000
JP	2001-129762	A	5/2001
JP	1358194	S	4/2009
JP	1358195	S	4/2009
JP	1358622	S	4/2009

* cited by examiner

Primary Examiner — Robin V Webster

(74) *Attorney, Agent, or Firm* — Sughrue Mion, PLLC

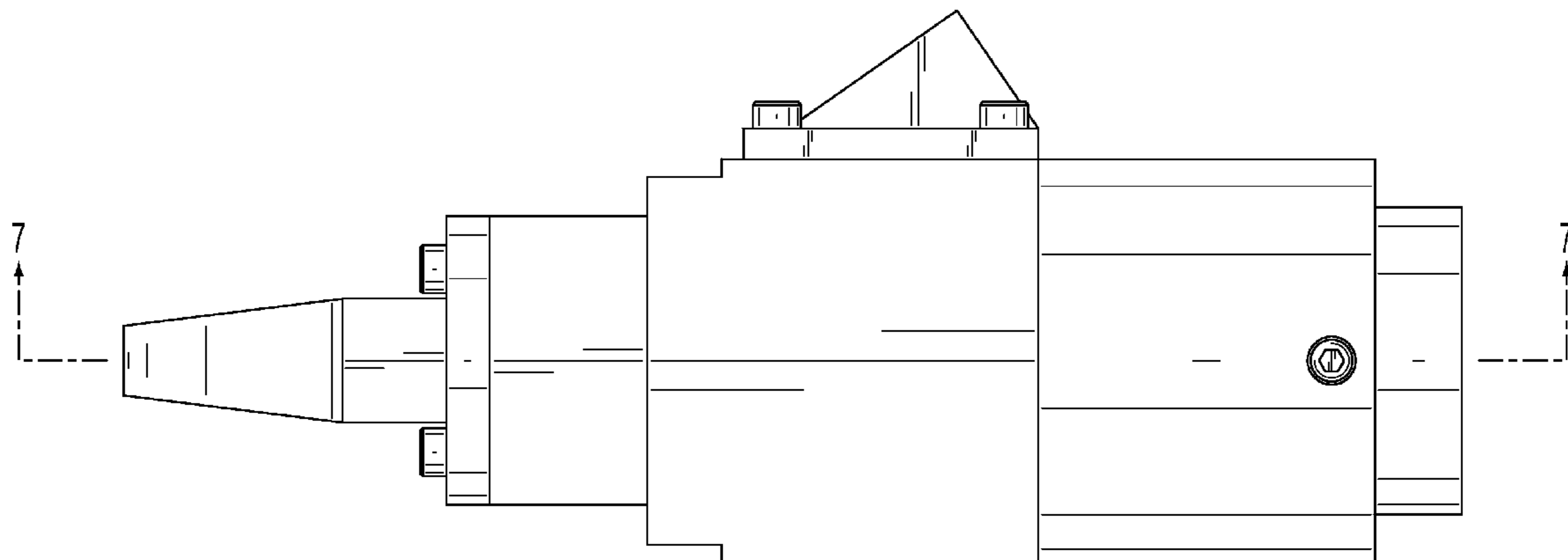
(57) **CLAIM**

The ornamental design for a nozzle for an air blast process, as shown and described.

DESCRIPTION

FIG. 1 is a front view of a nozzle showing our new design; FIG. 2 is a back view thereof; FIG. 3 is a left side view thereof; FIG. 4 is a right side view thereof; FIG. 5 is a plan view thereof; FIG. 6 is a bottom plan view thereof; FIG. 7 is a cross-sectional view taken along line 7—7 of FIG. 1; FIG. 8 is a cross-sectional view taken along line 8—8 of FIG. 5; and, FIG. 9 is a reference view showing a state of usage thereof. The broken line showing in FIG. 9 is included for the purpose of illustrating and forms no part of the claimed design.

1 Claim, 8 Drawing Sheets



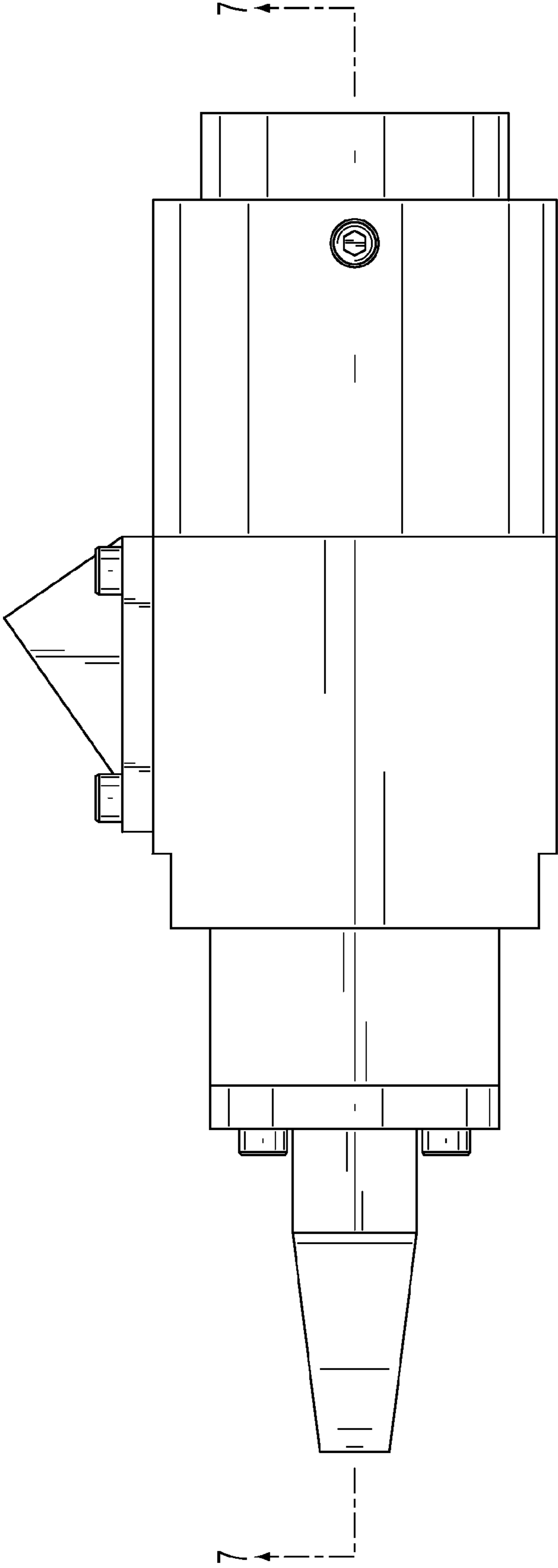


FIG. 1

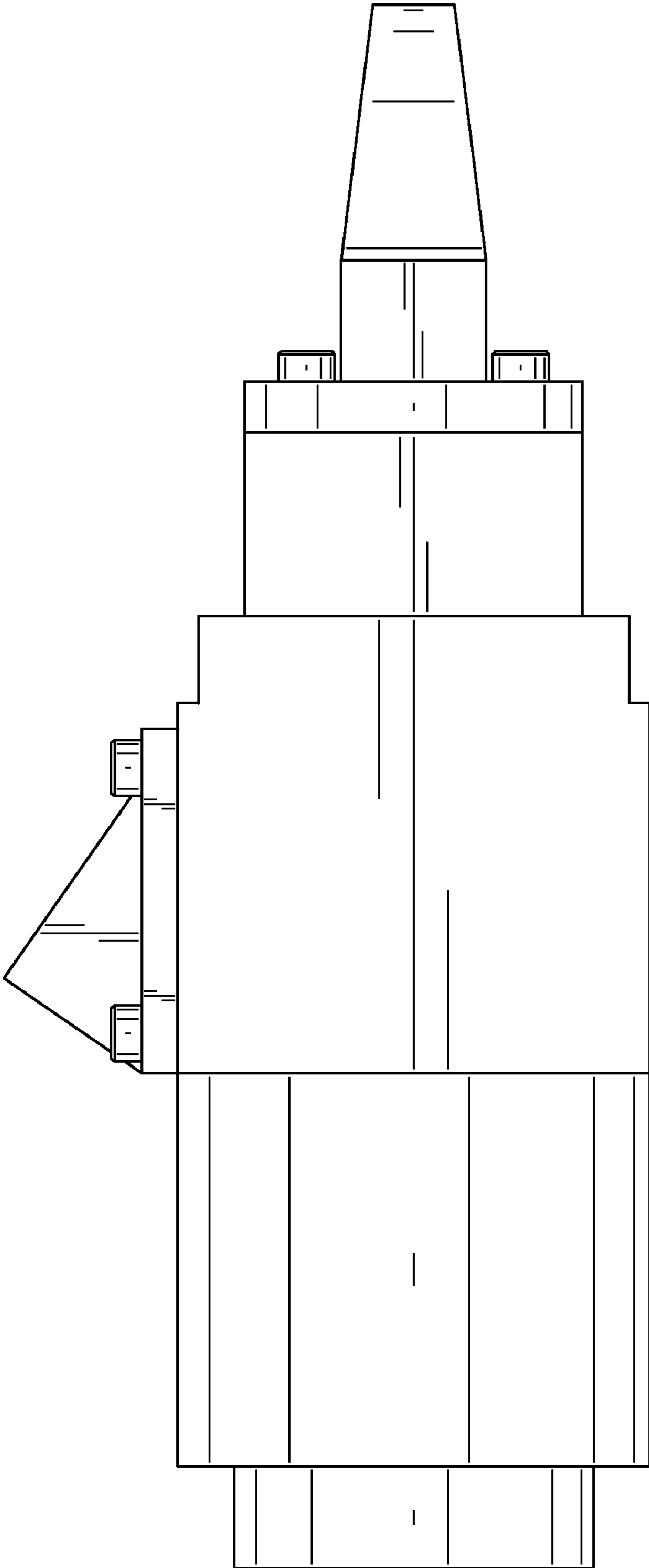


FIG. 2

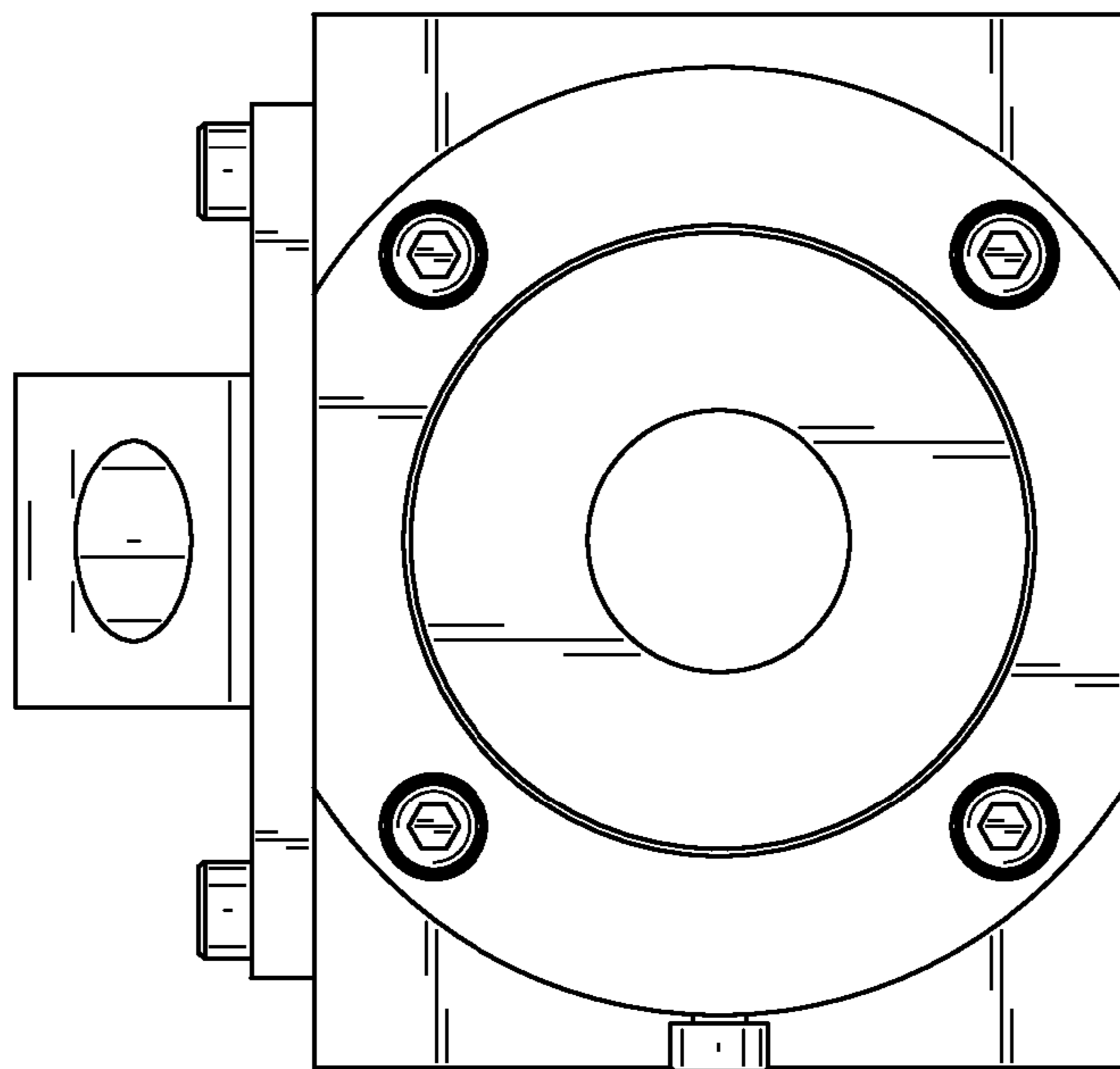


FIG. 4

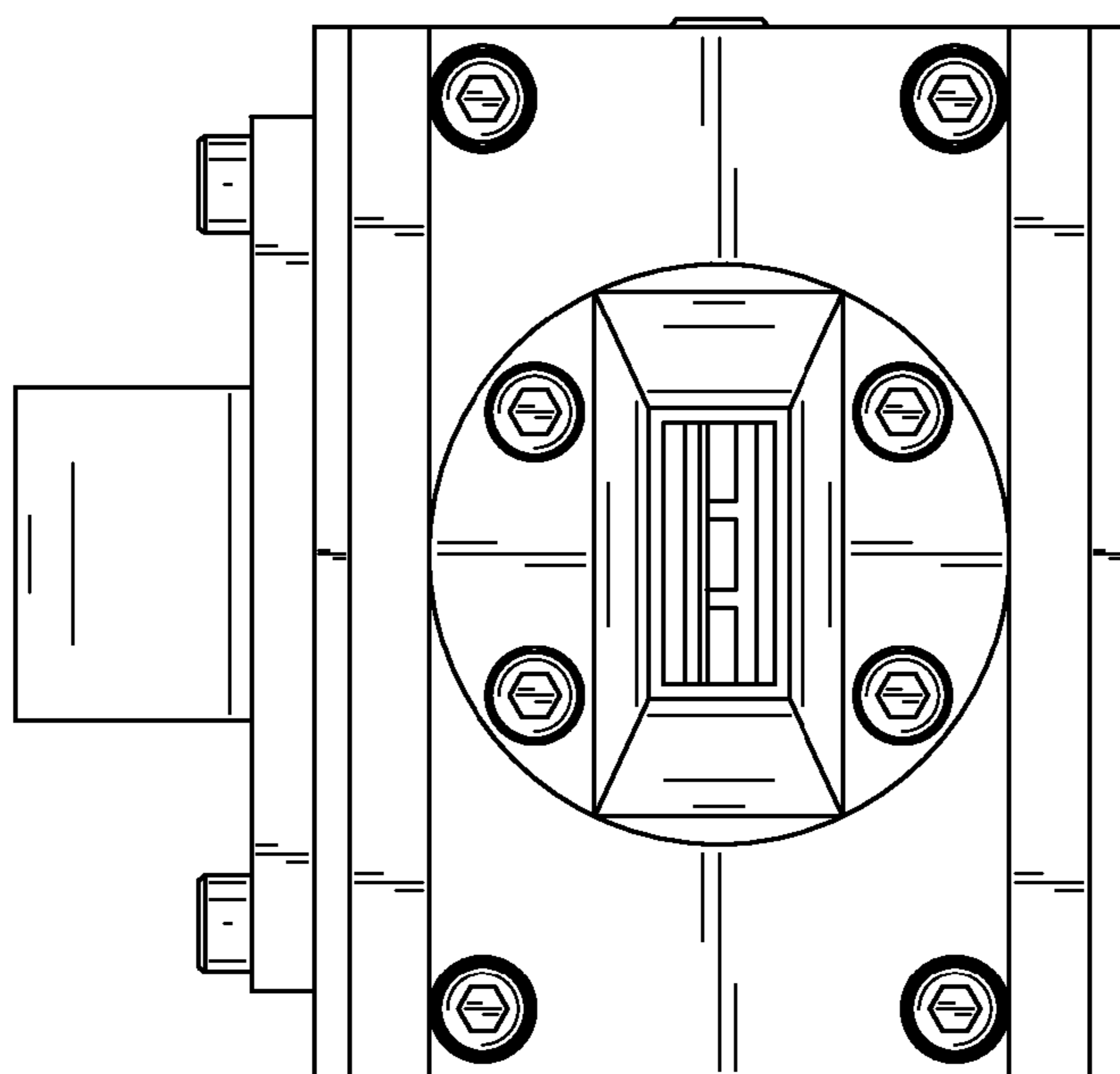


FIG. 3

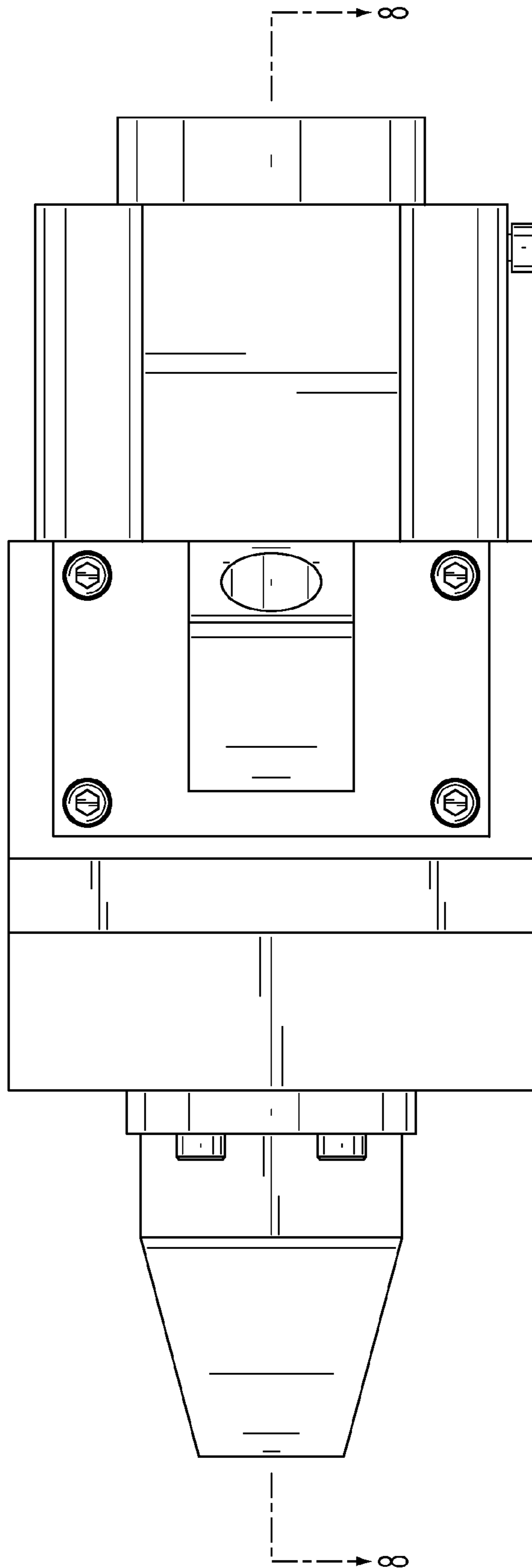


FIG. 5

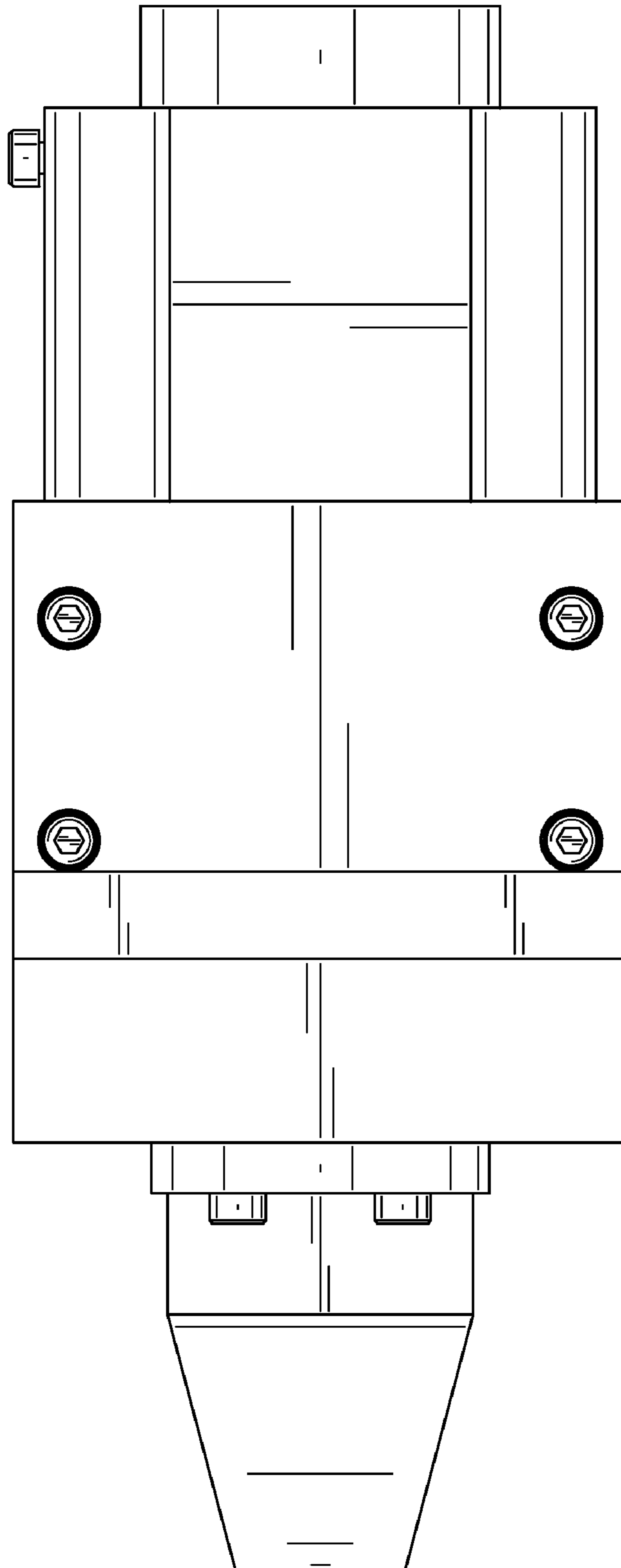


FIG. 6

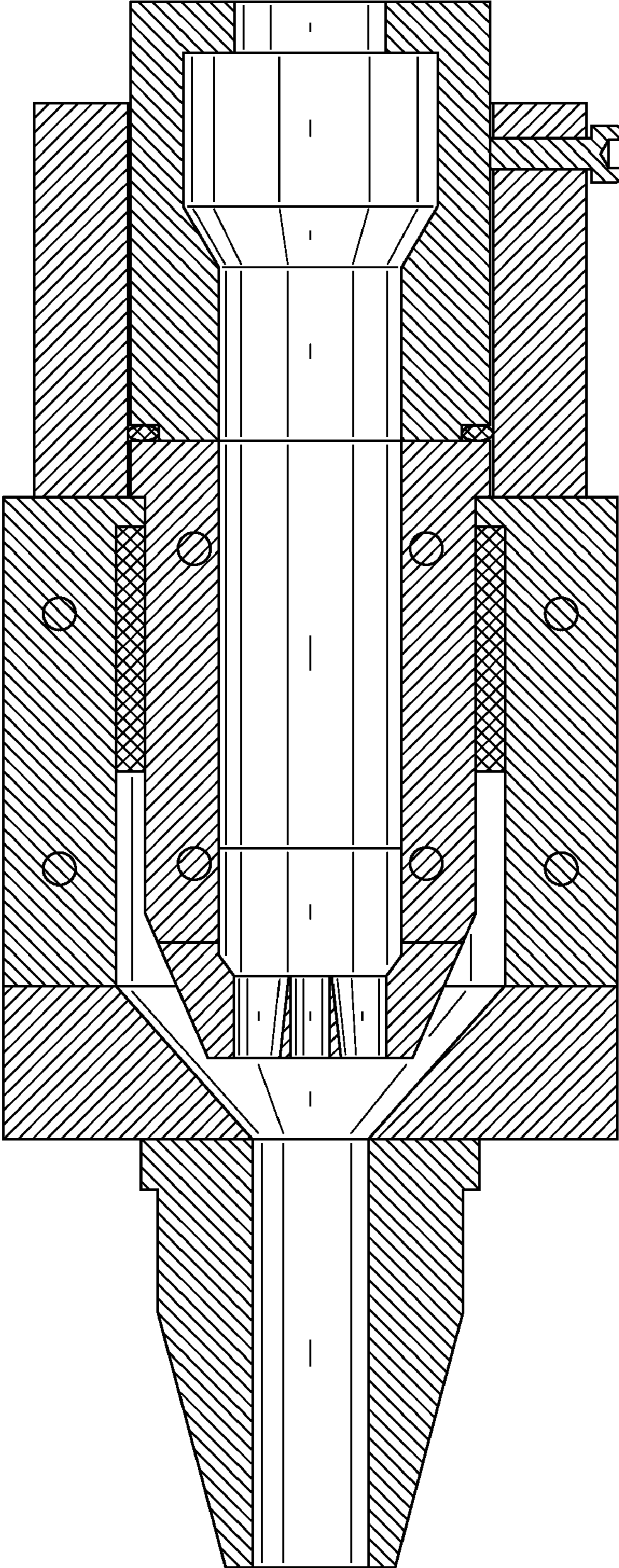


FIG. 7

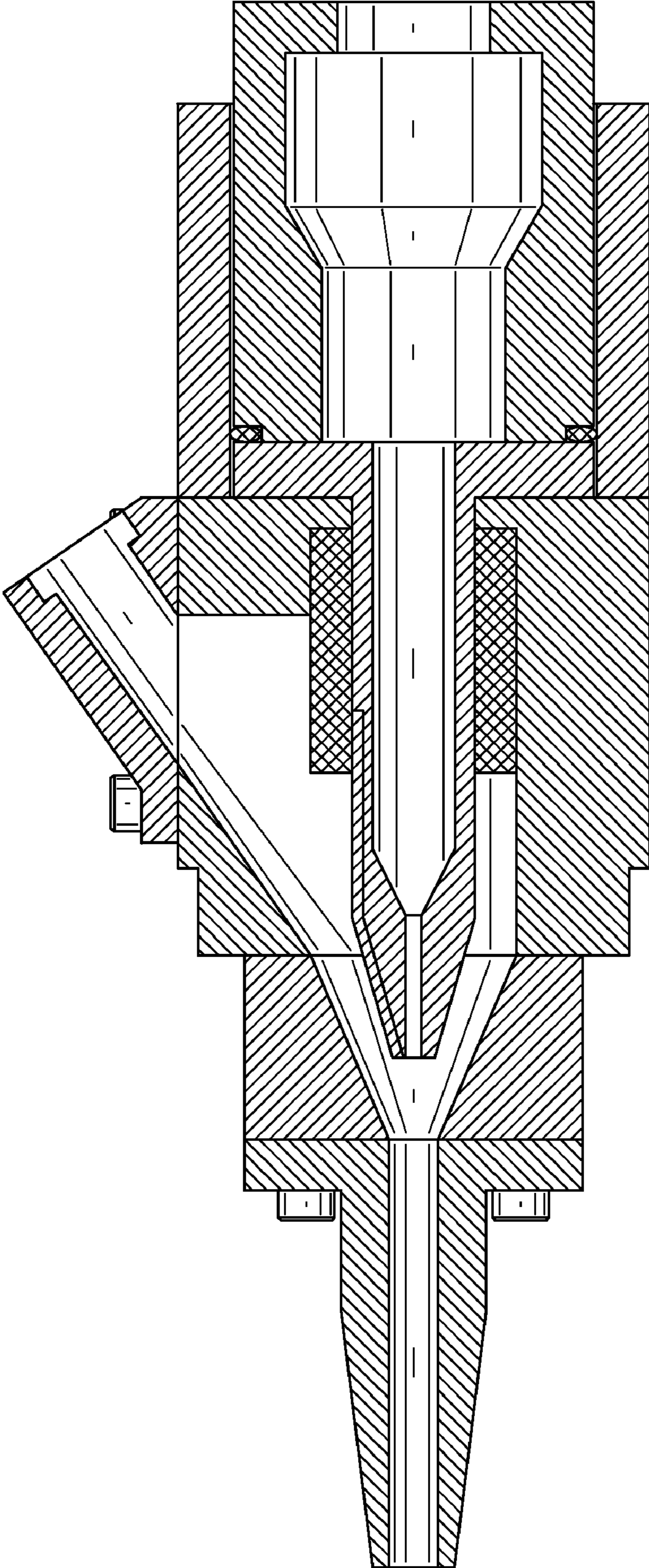


FIG. 8

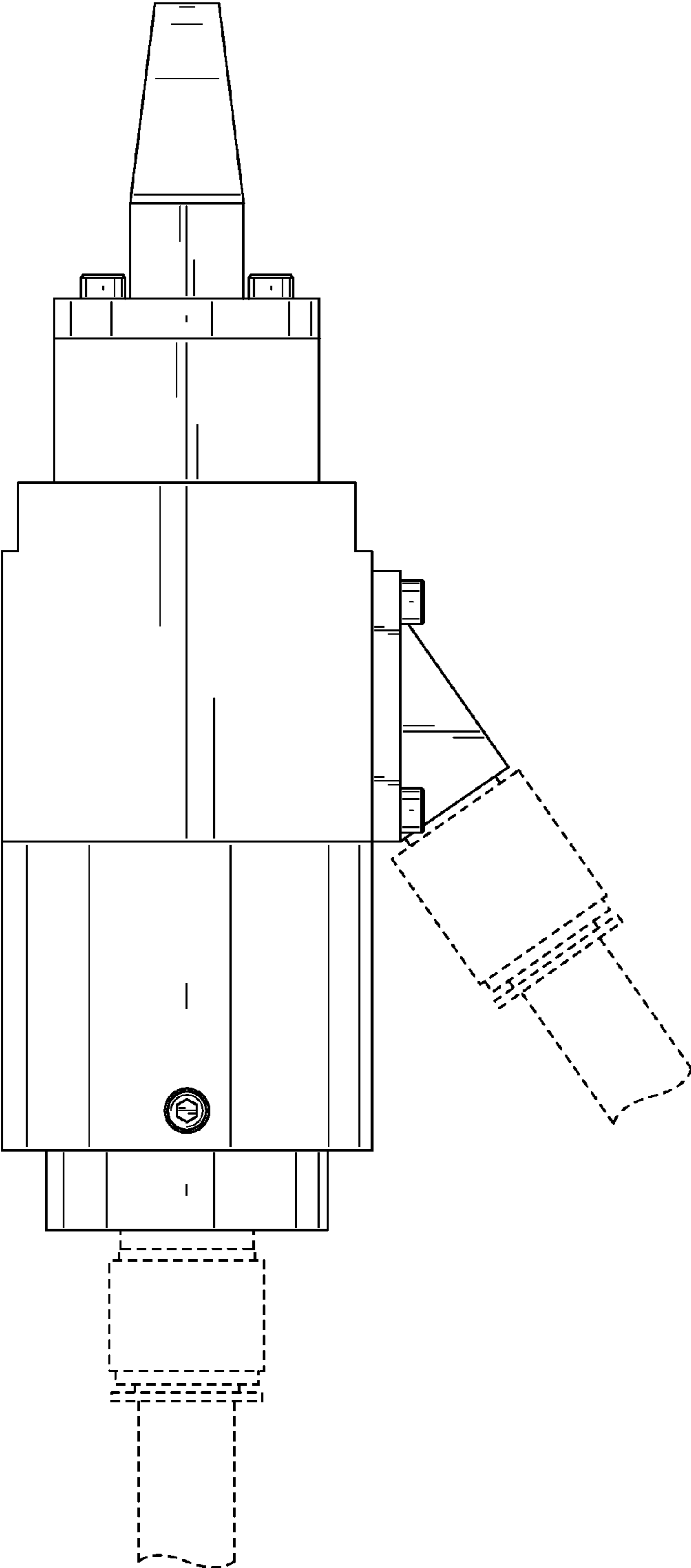


FIG. 9