



US00D637263S

(12) **United States Design Patent**
Pennington

(10) **Patent No.:** **US D637,263 S**

(45) **Date of Patent:** **** *May 3, 2011**

(54) **STUN BATON**

(76) Inventor: **Billy Pennington**, Little Rock, AR (US)

(*) Notice: This patent is subject to a terminal disclaimer.

(**) Term: **14 Years**

(21) Appl. No.: **29/361,984**

(22) Filed: **May 18, 2010**

Related U.S. Application Data

(63) Continuation-in-part of application No. 29/351,774, filed on Dec. 11, 2009, now Pat. No. Des. 617,411.

(51) **LOC (9) Cl.** **22-02**

(52) **U.S. Cl.** **D22/117**

(58) **Field of Classification Search** D22/117-120,
D22/199; 224/914; 463/47.2-47.6; 222/39,
222/153.11, 175, 183, 402.11; 42/1.01, 1.08

See application file for complete search history.

(56) **References Cited**

U.S. PATENT DOCUMENTS

D204,765	S	*	5/1966	Black	D22/117
5,118,108	A	*	6/1992	Wilmoth, III	463/47.6
D329,510	S	*	9/1992	Lin	D22/117
D351,640	S	*	10/1994	de Anda et al.	D22/117
D469,498	S	*	1/2003	Oscarsson	D22/117
D504,712	S	*	5/2005	Powell	D22/117
D532,859	S	*	11/2006	Stethem	D22/117

* cited by examiner

Primary Examiner — Catherine R Oliver

(74) *Attorney, Agent, or Firm* — Crossley Patent Law; Mark A. Crossley

(57) **CLAIM**

The ornamental design for a stun baton, as shown and described.

DESCRIPTION

FIG. 1 is a right elevation view of a stun baton showing my new design, the opposite side being a mirror image of the shown;

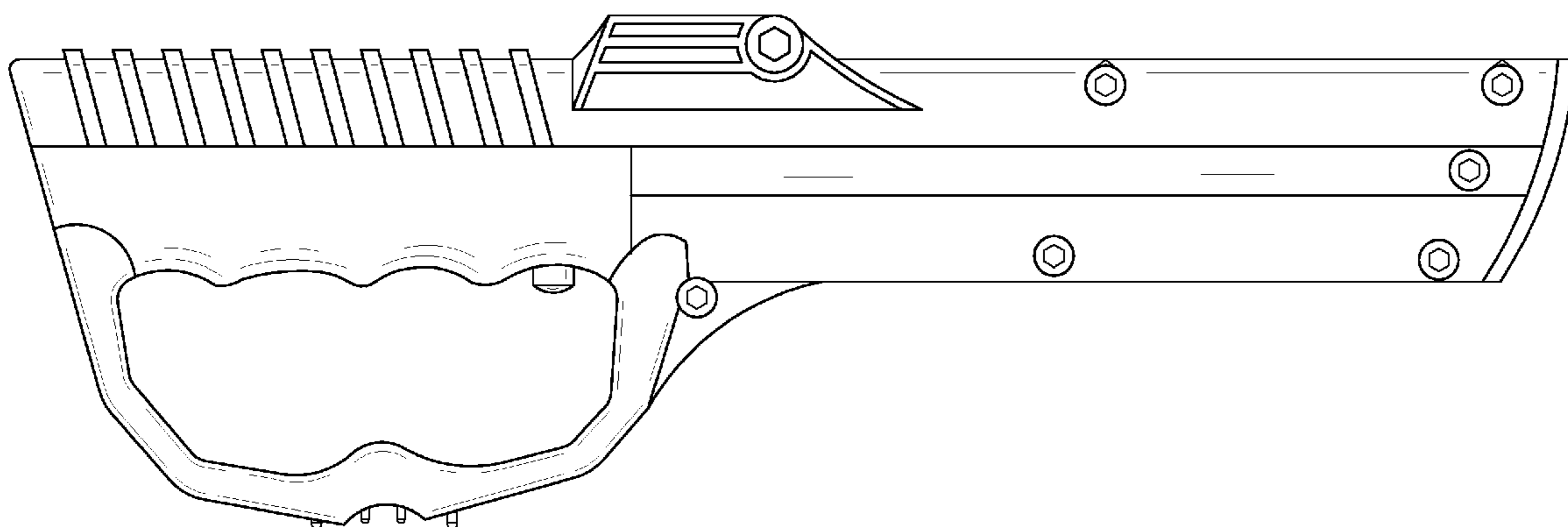
FIG. 2 is a rear elevation view thereof;

FIG. 3 is a front elevation view thereof;

FIG. 4 is a top plan view thereof; and,

FIG. 5 is a bottom plan view thereof.

1 Claim, 3 Drawing Sheets



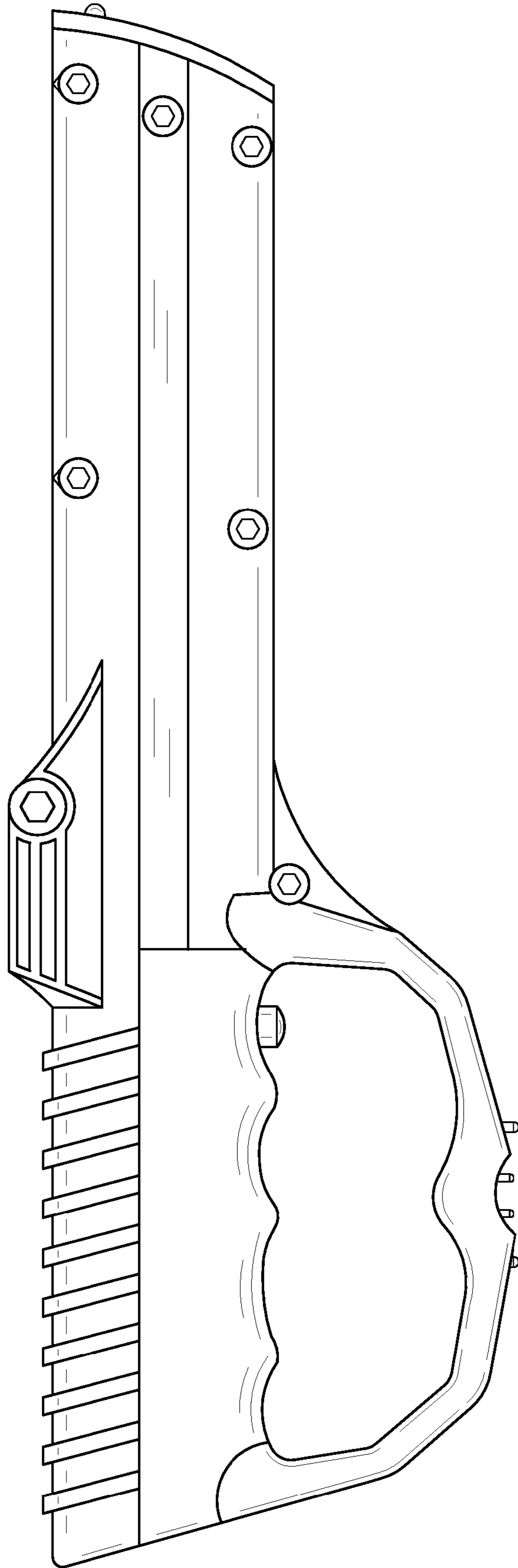


FIG. 1

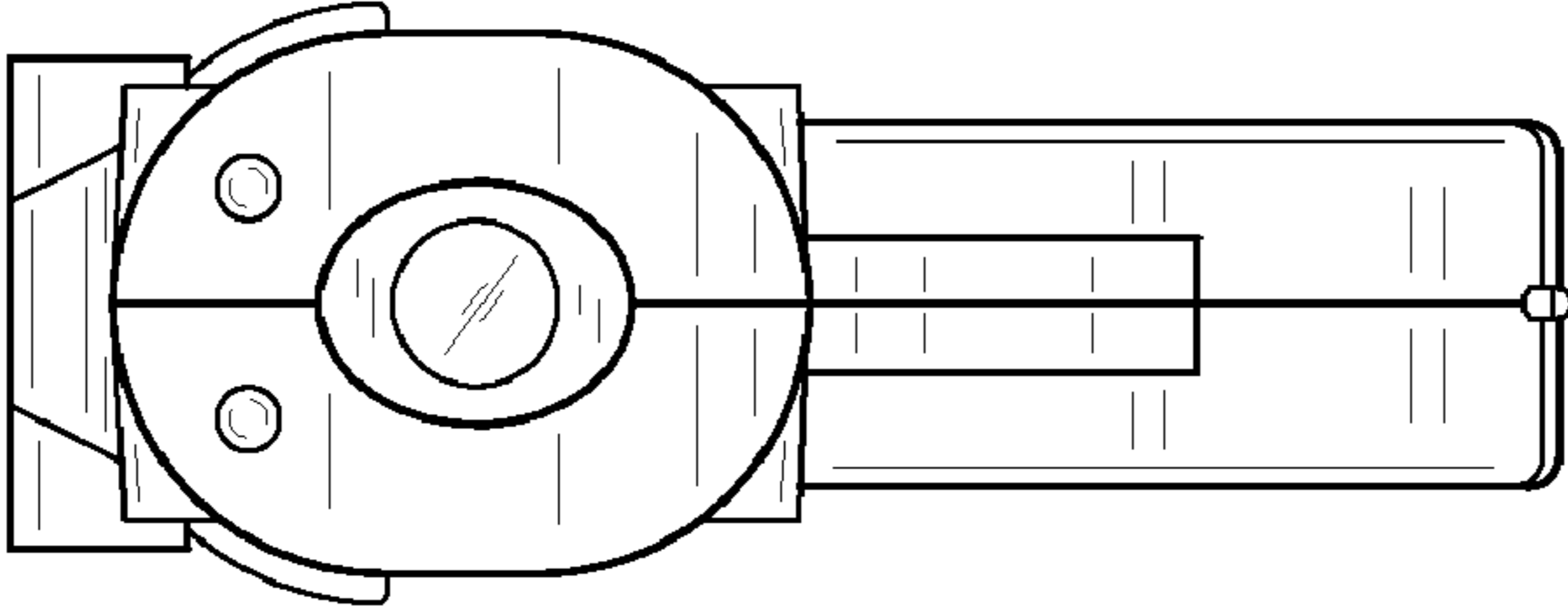


FIG. 2

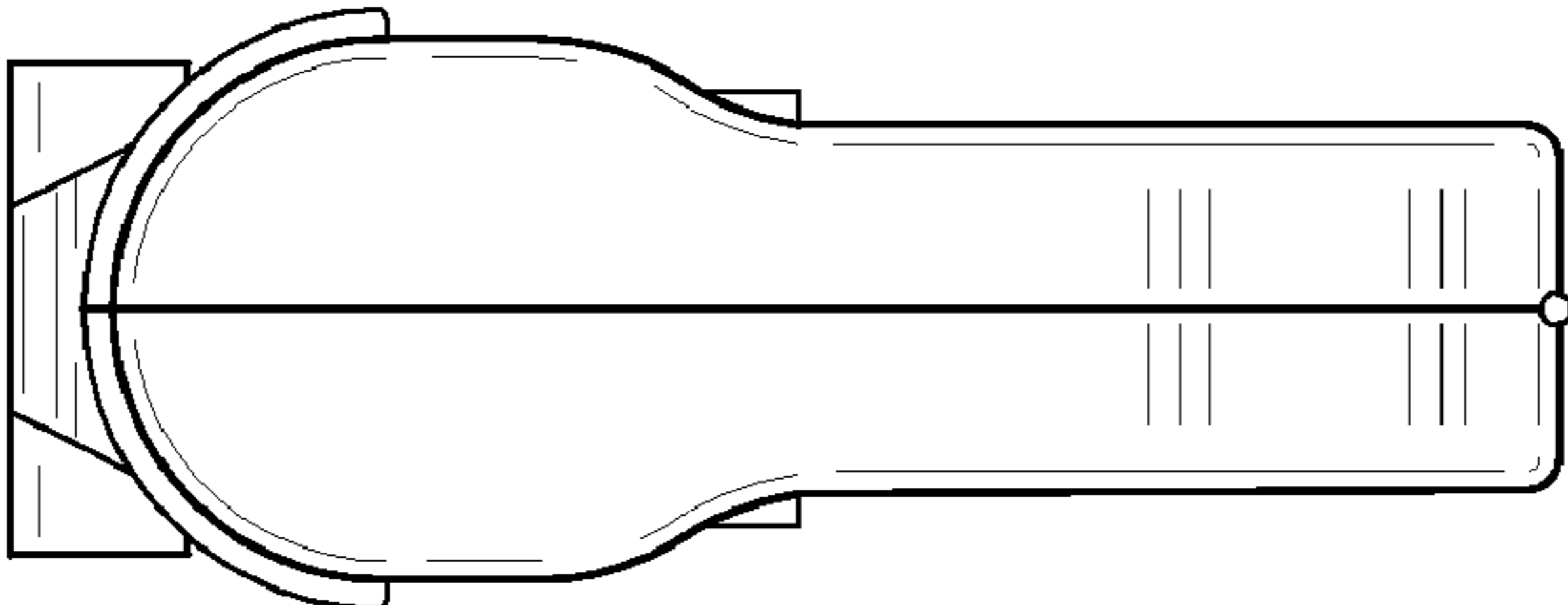


FIG. 3

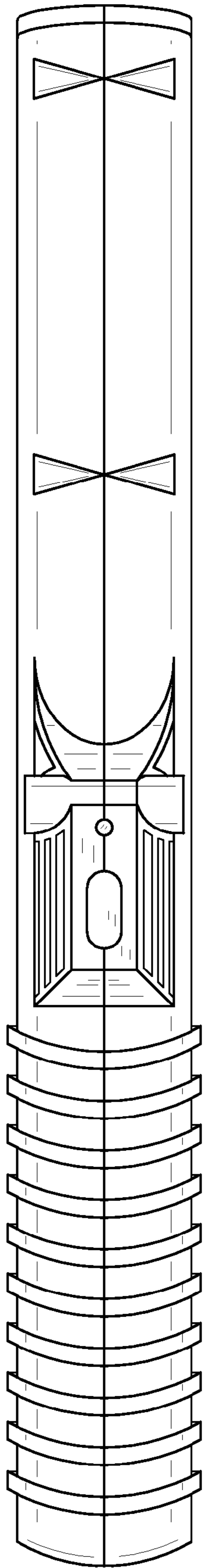


FIG. 4

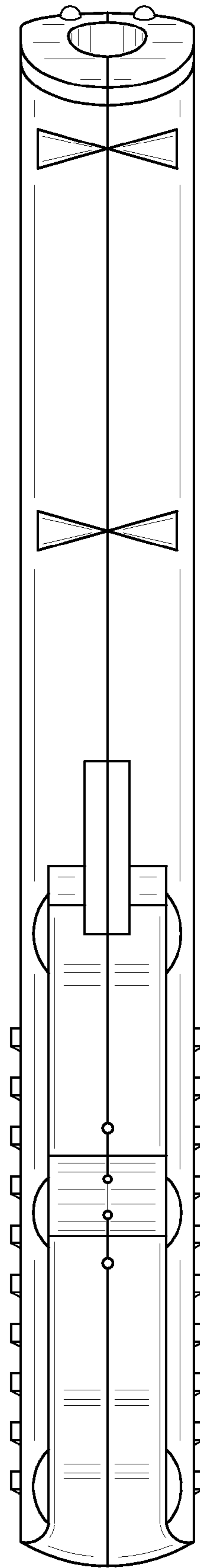


FIG. 5