



US00D637262S

(12) **United States Design Patent**  
**Alculumbre**

(10) **Patent No.:** **US D637,262 S**

(45) **Date of Patent:** **\*\* May 3, 2011**

(54) **PROJECTILE**

(75) **Inventor:** **Michael Alculumbre**, London (GB)

(73) **Assignee:** **The Special Cartridge Company Ltd.**  
(GB)

(\*\*) **Term:** **14 Years**

(21) **Appl. No.:** **29/361,733**

(22) **Filed:** **May 14, 2010**

(51) **LOC (9) Cl.** ..... **22-03**

(52) **U.S. Cl.** ..... **D22/116**

(58) **Field of Classification Search** ..... D22/115,  
D22/116; 102/385, 430, 439, 445, 501-510,  
102/520; 463/2; 86/10, 19.5, 51-54

See application file for complete search history.

(56) **References Cited**

U.S. PATENT DOCUMENTS

4,752,052	A *	6/1988	Galvin .....	244/3.29
6,978,967	B1 *	12/2005	Scheper et al. ....	244/3.24
2010/0101445	A1 *	4/2010	Garg .....	102/502
2010/0275806	A1 *	11/2010	Gavin et al. ....	102/502

\* cited by examiner

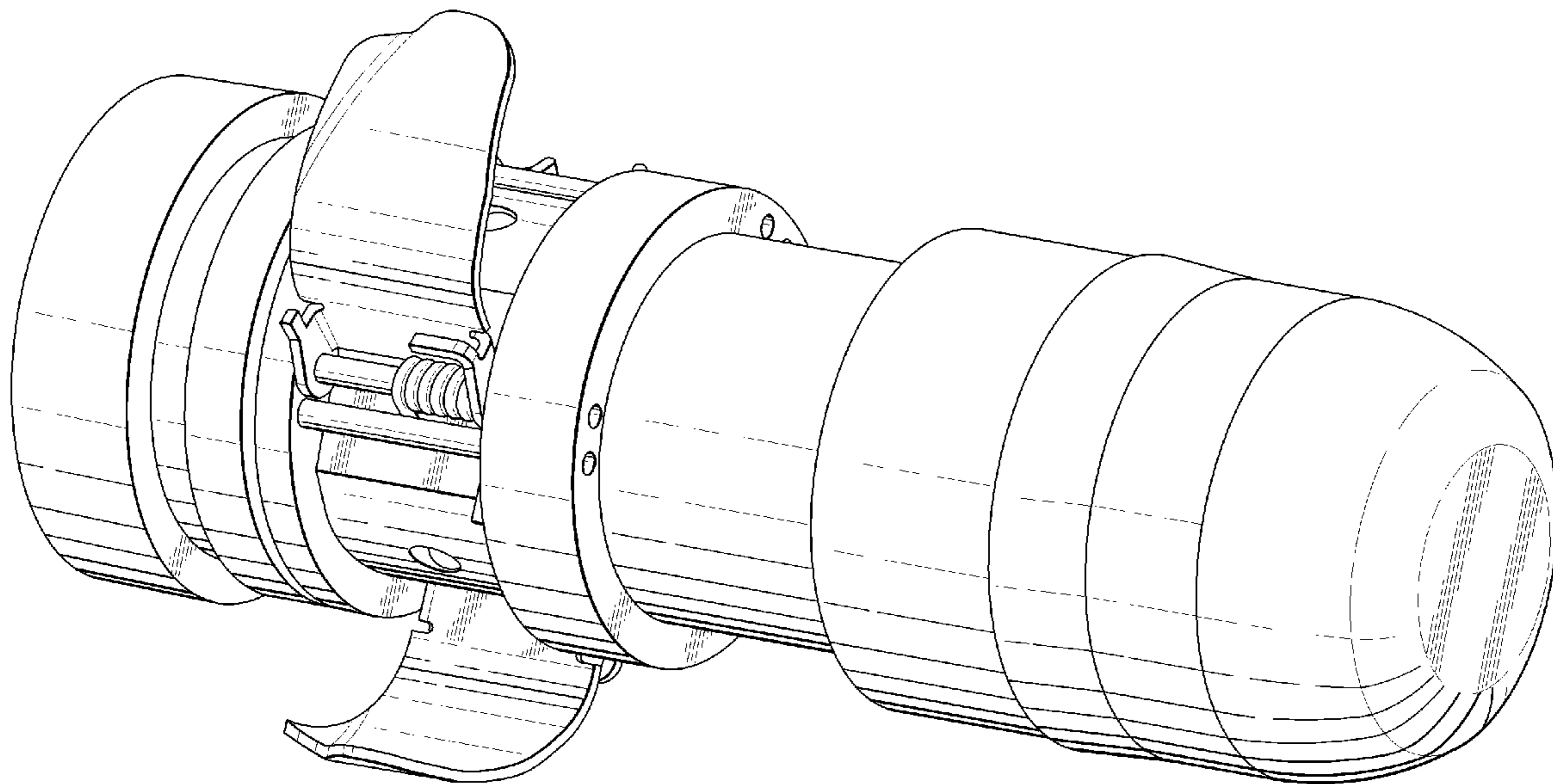
*Primary Examiner* — T. Chase Nelson  
*Assistant Examiner* — Michael A Pratt  
(74) *Attorney, Agent, or Firm* — Laubscher & Laubscher, PC

(57) **CLAIM**  
The ornamental design for a projectile, as shown and described.

**DESCRIPTION**

FIG. 1 is a front perspective view of the invention illustrating my design;  
FIG. 2 is a front elevation view thereof;  
FIG. 3 is a side elevation thereof; and,  
FIG. 4 is a further front perspective view thereof.

**1 Claim, 4 Drawing Sheets**



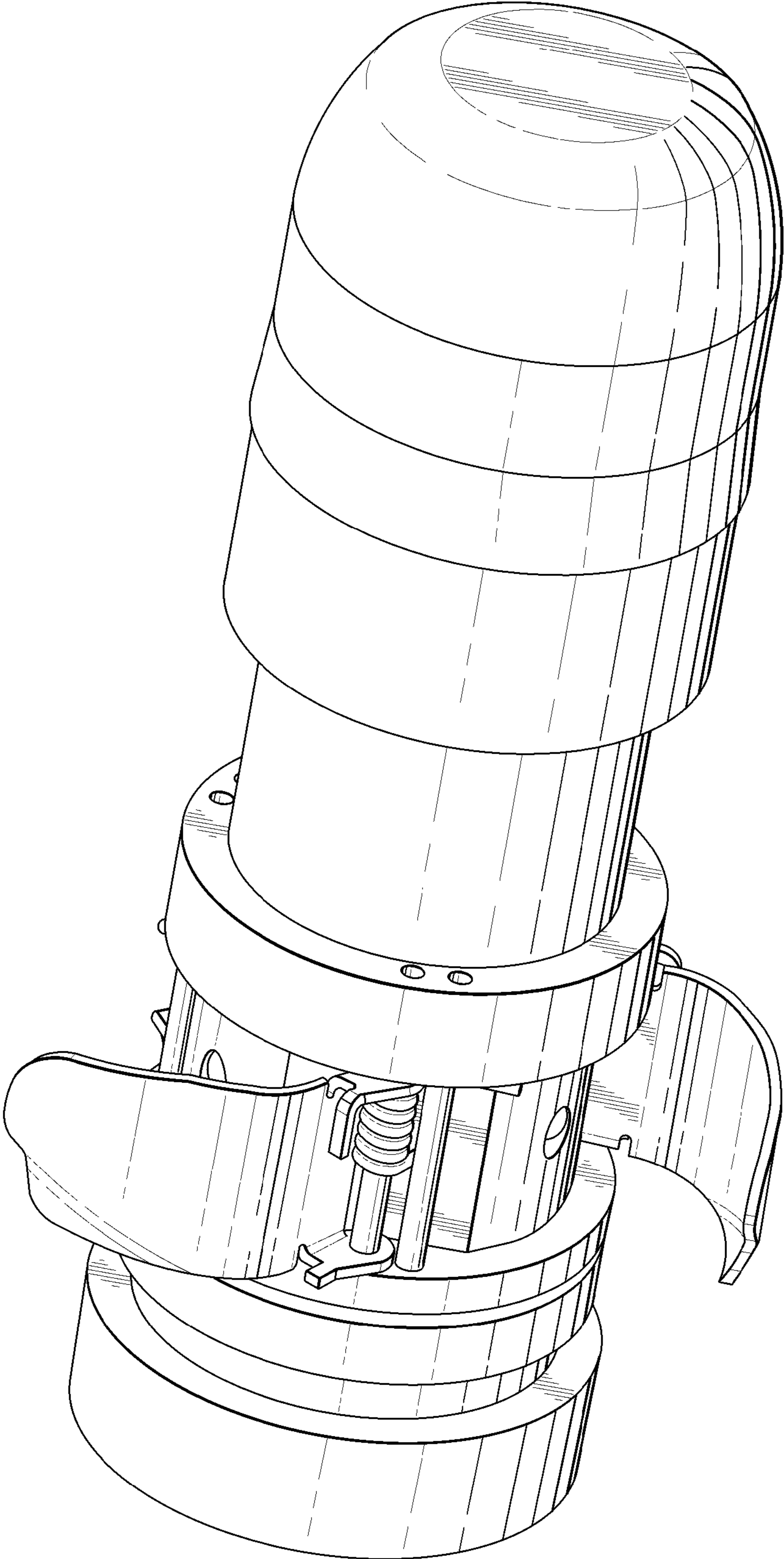
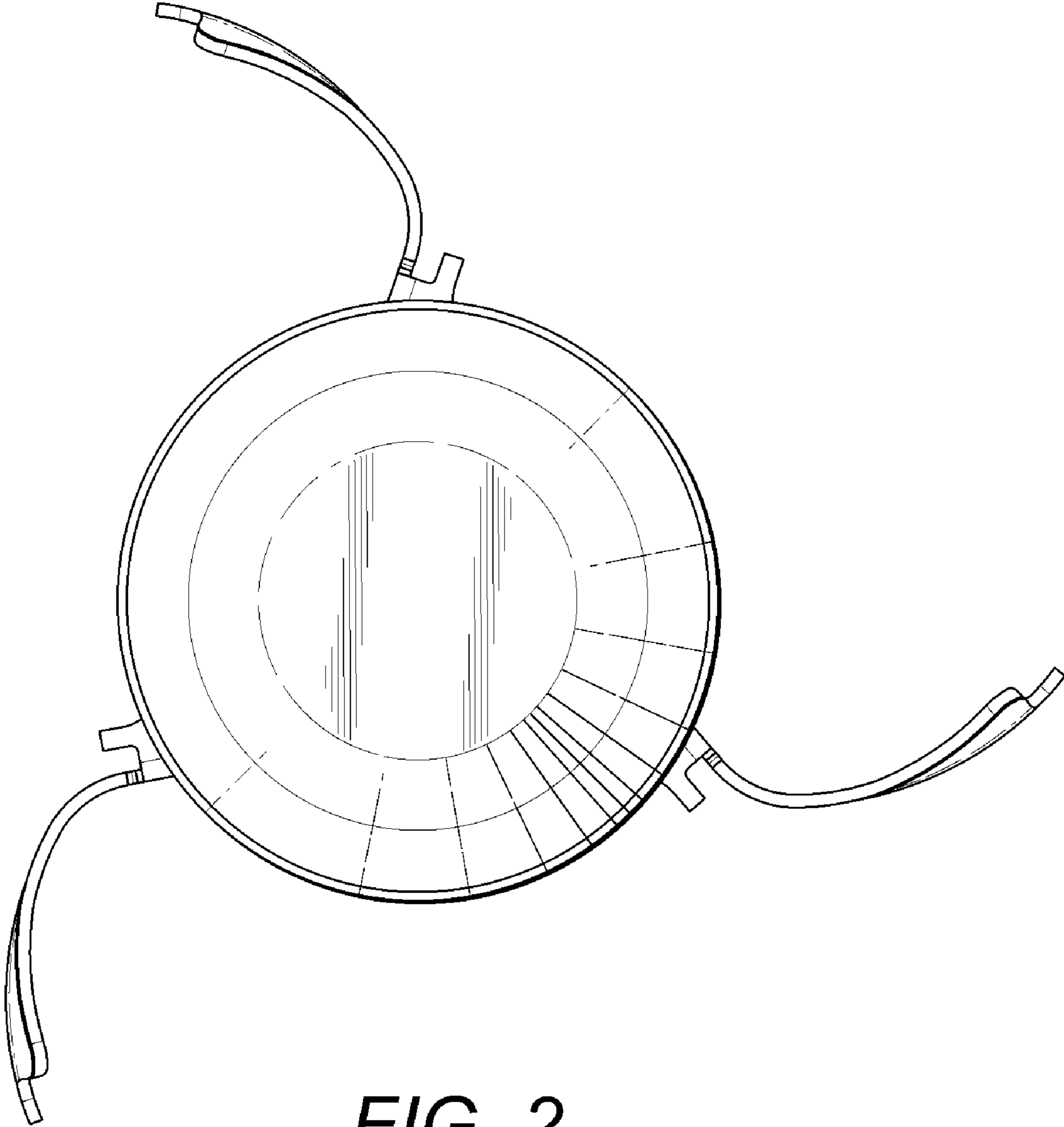


FIG. 1



**FIG. 2**

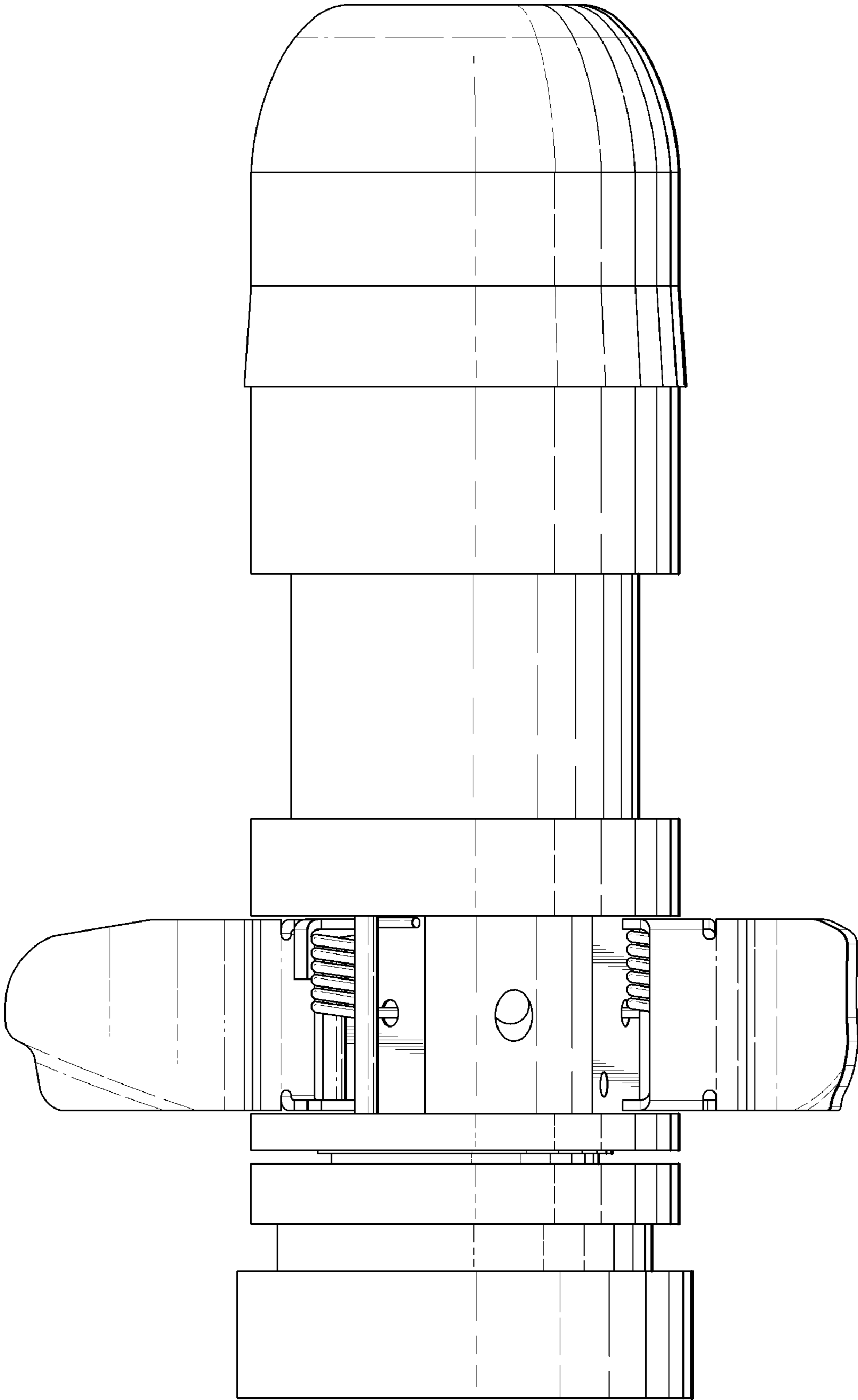


FIG. 3

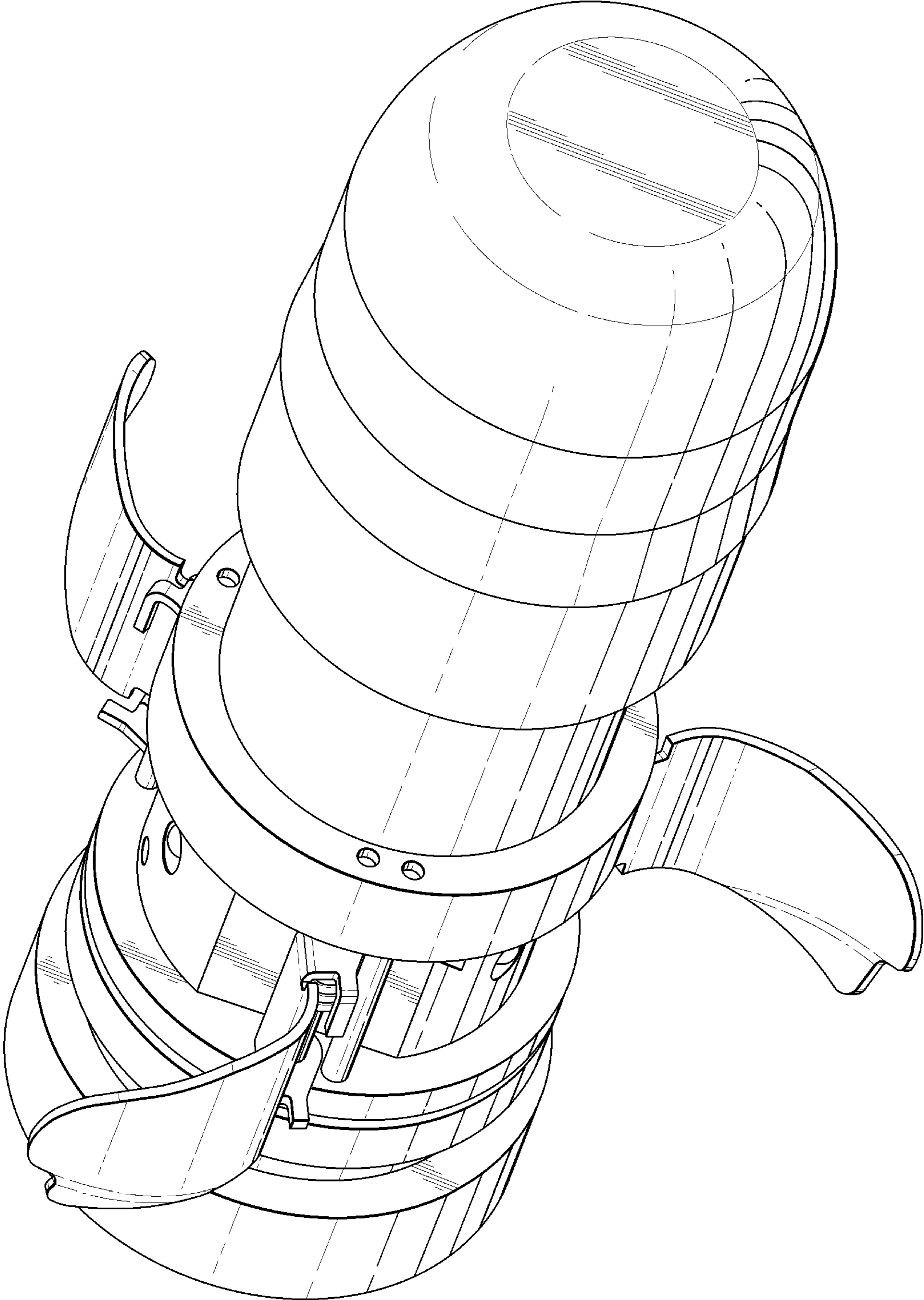


FIG. 4