



US00D637259S

(12) **United States Design Patent**
Swan

(10) **Patent No.:** **US D637,259 S**

(45) **Date of Patent:** **** May 3, 2011**

(54) **LOW PROFILE FLIP UP SIGHT**

(76) Inventor: **Richard E. Swan**, E. Bridgewater, MA
(US)

(**) Term: **14 Years**

(21) Appl. No.: **29/353,273**

(22) Filed: **Jan. 6, 2010**

(51) **LOC (9) Cl.** **22-01**

(52) **U.S. Cl.** **D22/109**

(58) **Field of Classification Search** D22/100,
D22/108, 109, 110, 199; 42/11, 72, 75.02,
42/71.01, 85, 90, 106, 114, 113, 116, 119,
42/124, 125, 127, 145, 128; 248/201, 205.1

See application file for complete search history.

(56) **References Cited**

U.S. PATENT DOCUMENTS

308,699 A	12/1884	Rabbeth
396,043 A	1/1889	Lyman
426,887 A	4/1890	West
561,360 A	6/1896	Taylor
564,514 A	7/1896	Fuller
805,770 A	11/1905	Bassell et al.
878,857 A	2/1908	Bevier
894,755 A	7/1908	Snedden
1,034,925 A	8/1912	Newt
1,089,009 A	3/1914	Porter
1,257,713 A	2/1918	Johnson
1,260,907 A	3/1918	Johnson et al.
1,276,572 A	8/1918	Rogers
1,602,116 A	10/1926	Manahan et al.
1,908,019 A	5/1933	Howard
2,032,648 A	3/1936	Bliss
2,093,676 A	9/1937	Hennessy
2,276,446 A	3/1942	Zimmerman
2,331,903 A	10/1943	Garand
2,334,300 A	11/1943	Williams
2,437,363 A	3/1948	Smith
2,444,038 A	6/1948	Garand
2,724,897 A	11/1955	Hough

2,806,288 A	9/1957	Sarvis
2,939,217 A	6/1960	Hajek
3,930,316 A	1/1976	Tellie
3,969,827 A	7/1976	Ellis
4,665,622 A	5/1987	Idan
4,691,442 A	9/1987	Center
4,957,211 A	9/1990	Ekkert et al.
5,533,292 A	7/1996	Swan
6,490,822 B1	12/2002	Swan
6,568,118 B1	5/2003	Teetzal
6,606,813 B1	8/2003	Squire et al.
6,615,530 B2	9/2003	Johansson
6,622,415 B1	9/2003	Canaday et al.

(Continued)

FOREIGN PATENT DOCUMENTS

DE 151669 6/1904

(Continued)

Primary Examiner — T. Chase Nelson

Assistant Examiner — Michael A Pratt

(74) *Attorney, Agent, or Firm* — Barlow, Josephs & Holmes, Ltd.

(57) **CLAIM**

The ornamental design for a low profile flip up sight, as shown and described.

DESCRIPTION

FIG. 1 is a perspective view of the low profile flip up sight in accordance with the present invention;

FIG. 2 is a rear view thereof;

FIG. 3 is a front view thereof;

FIG. 4 is a right side view thereof;

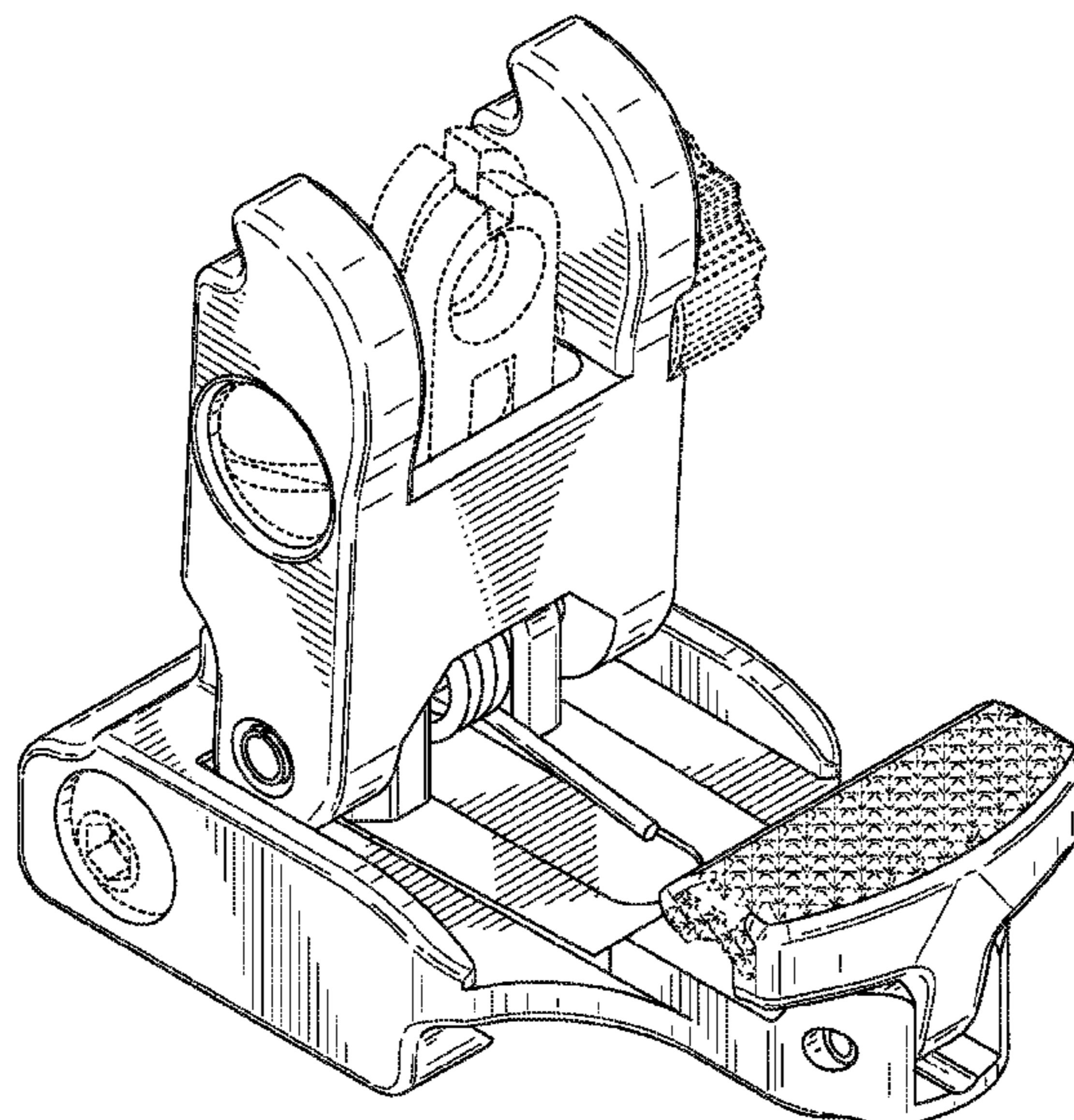
FIG. 5 is a left side view thereof;

FIG. 6 is a top view thereof; and,

FIG. 7 is a bottom view thereof.

The elements depicted in broken line in the various figures are included for environmental purposes only, and form no part of the claimed design.

1 Claim, 7 Drawing Sheets



US D637,259 S

Page 2

U.S. PATENT DOCUMENTS

6,722,075 B1 4/2004 Gabaldon
6,732,467 B1 5/2004 Luth
6,779,290 B1 8/2004 Houtsma
6,968,643 B2 11/2005 Woodbury
7,076,907 B2 7/2006 Nesseth et al.
D526,380 S 8/2006 Swan
7,181,882 B2 2/2007 Woodbury

D594,083 S 6/2009 Mayberry et al.
2003/0140546 A1 7/2003 Kay
2008/0276520 A1* 11/2008 Ballard 42/143

FOREIGN PATENT DOCUMENTS

GB 1272 0/1906
GB 169397 8/1921

* cited by examiner

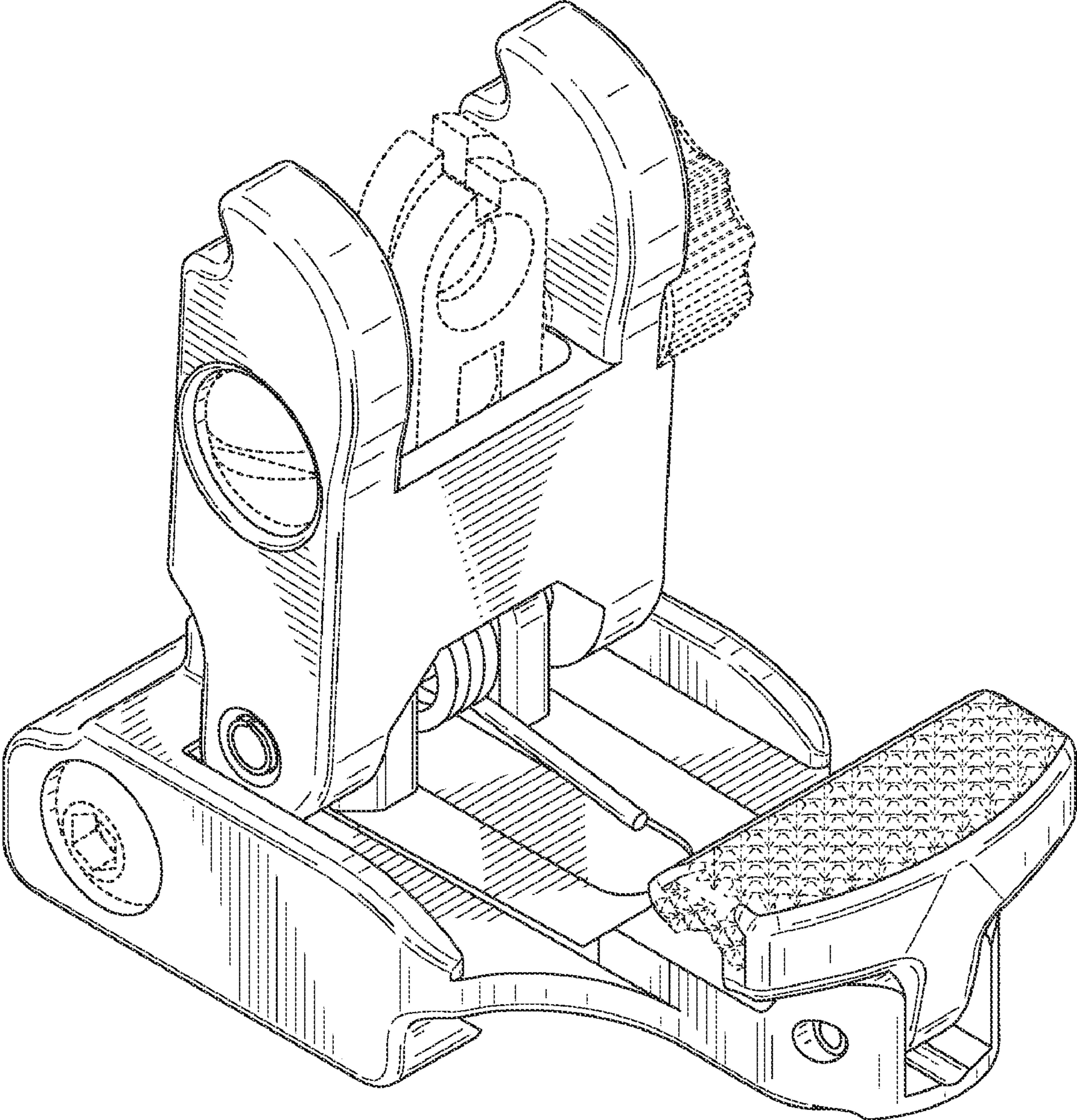


FIG. 1

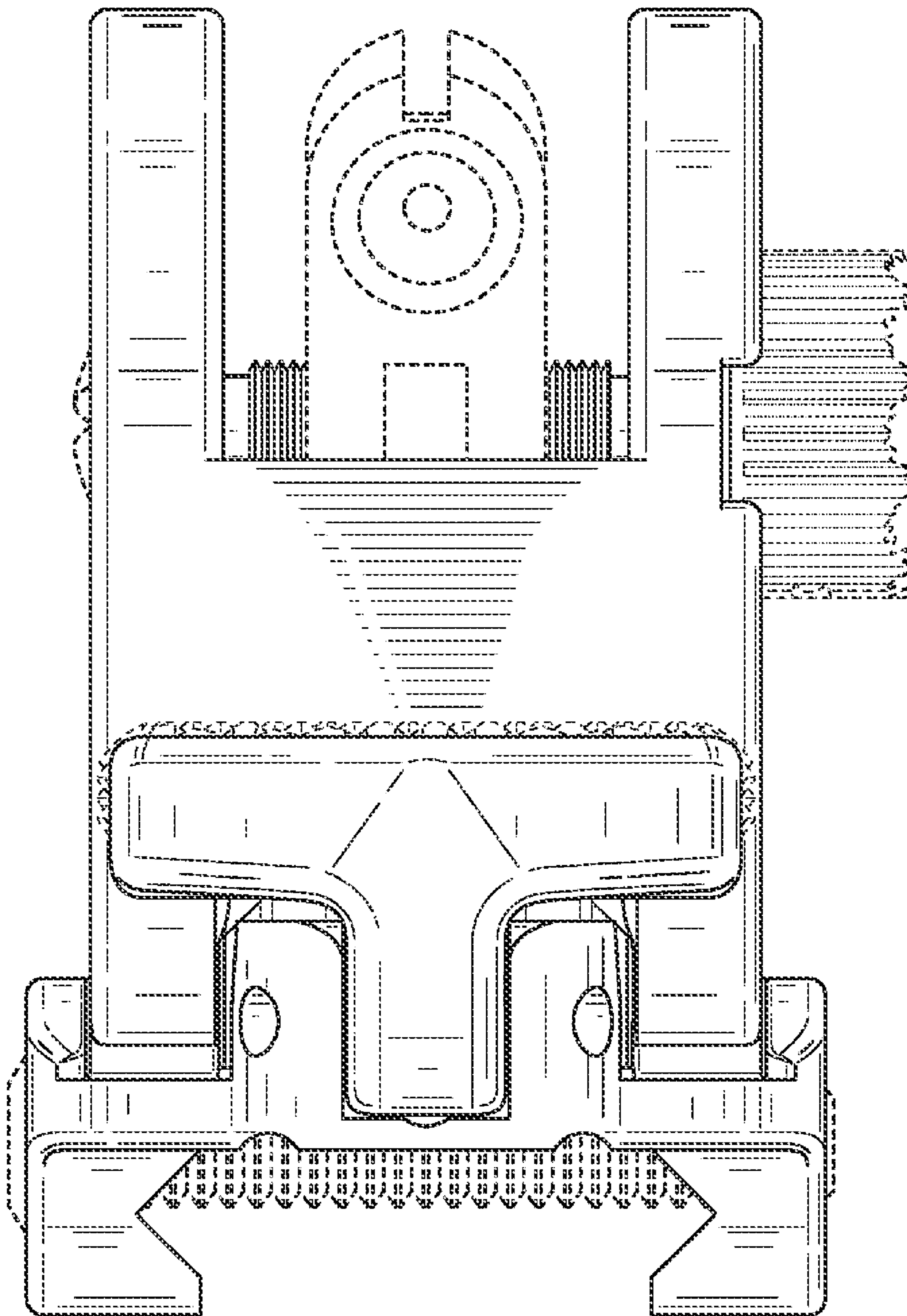


FIG. 2

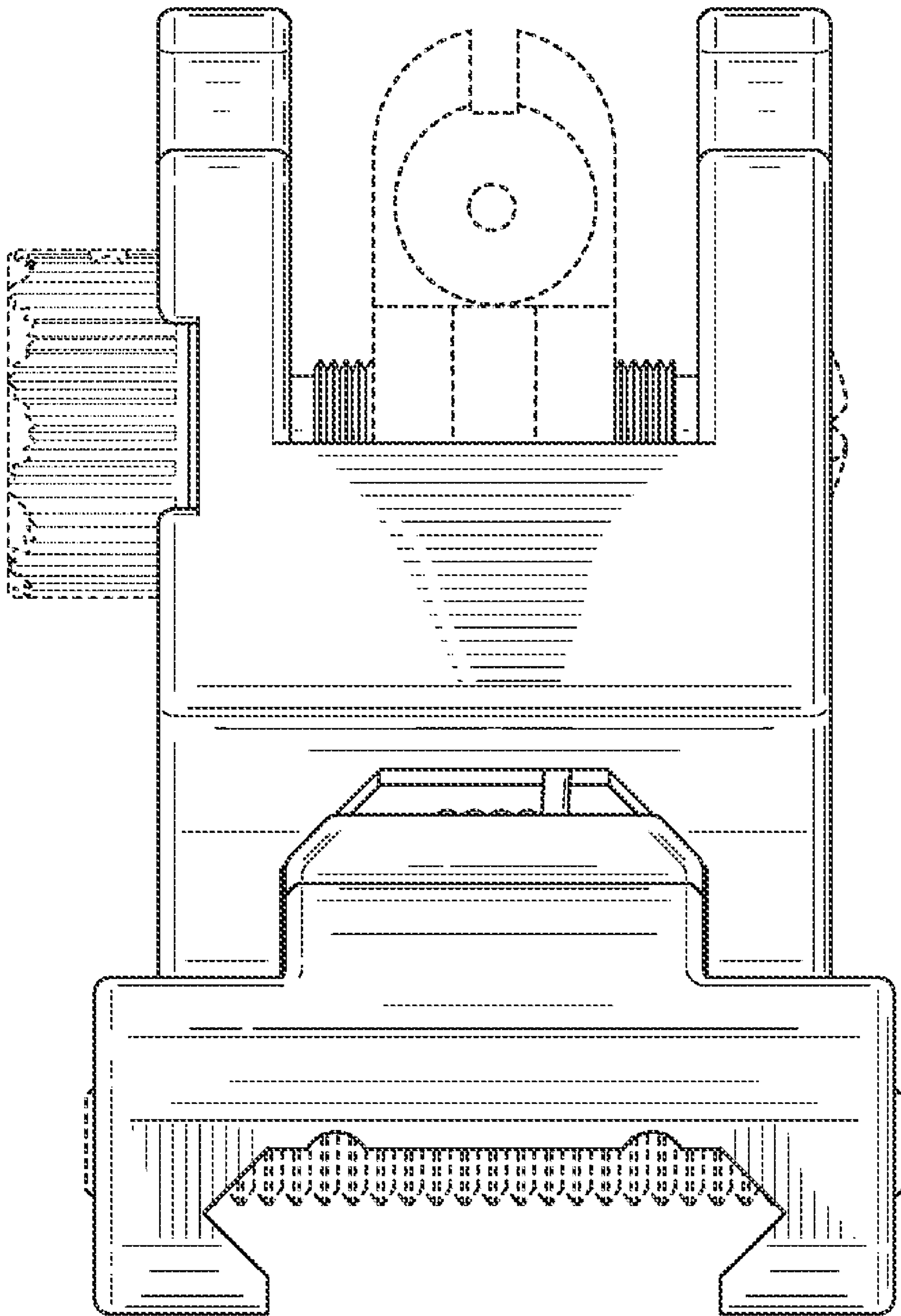


FIG. 3

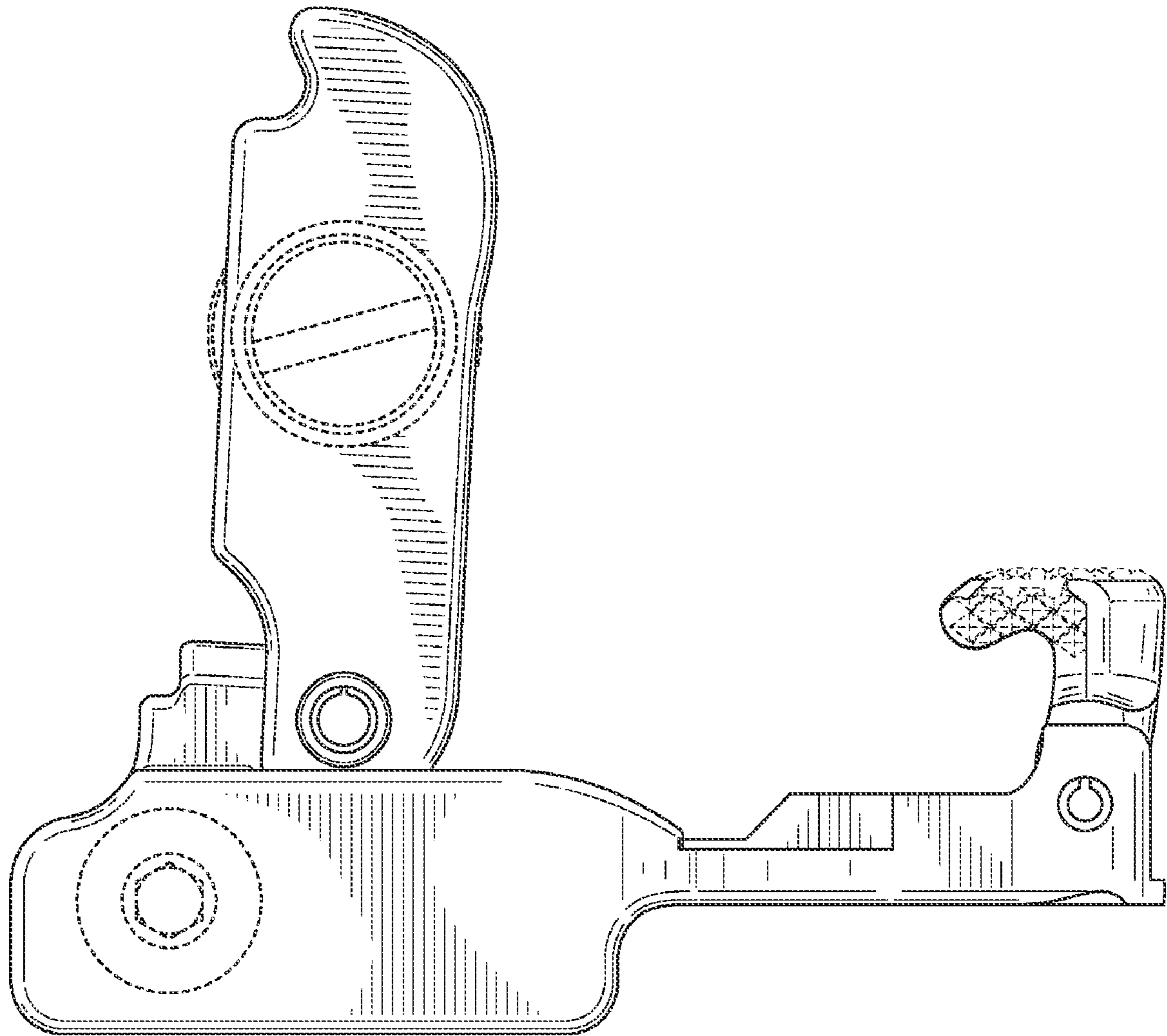


FIG. 4

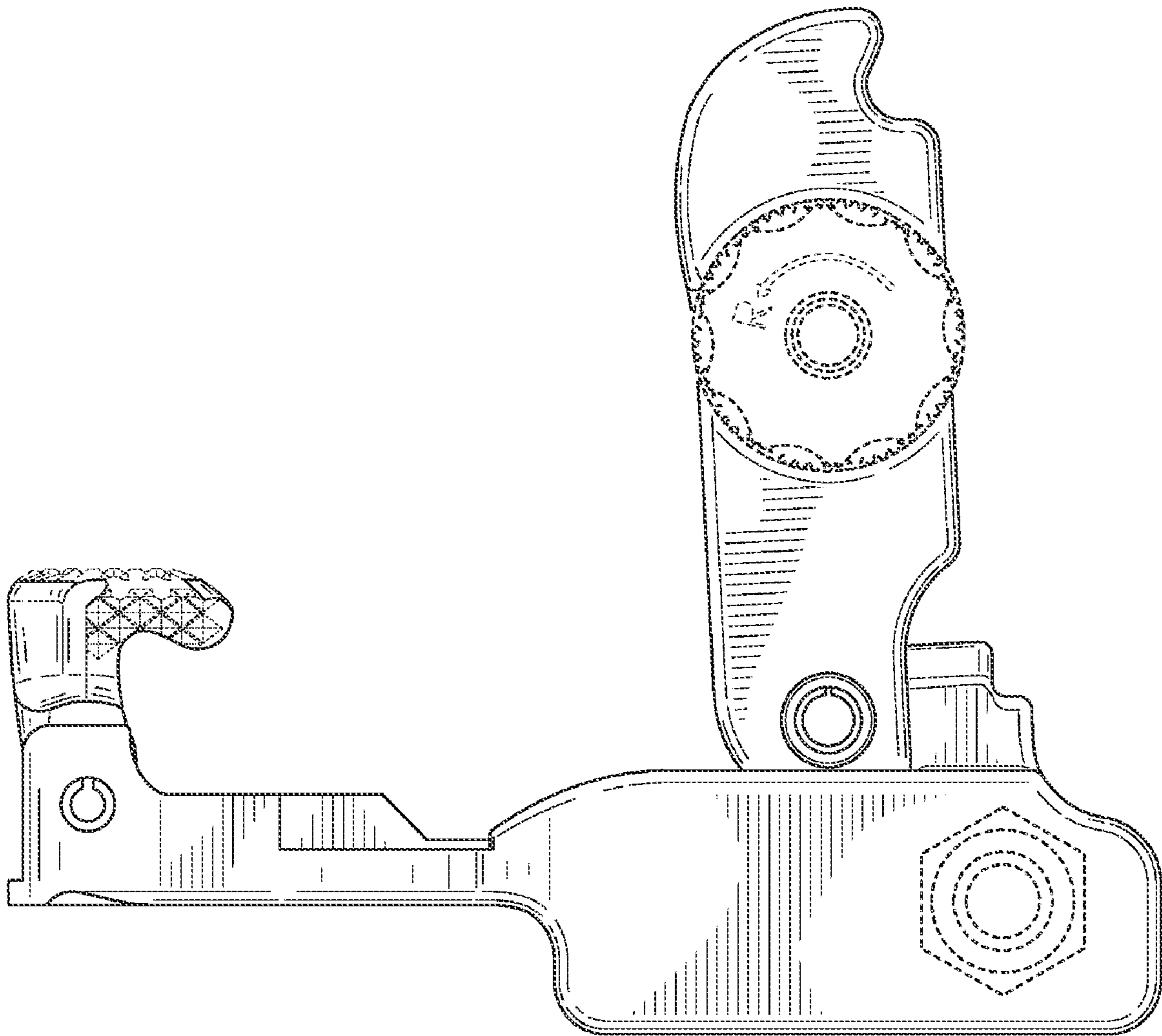


FIG. 5

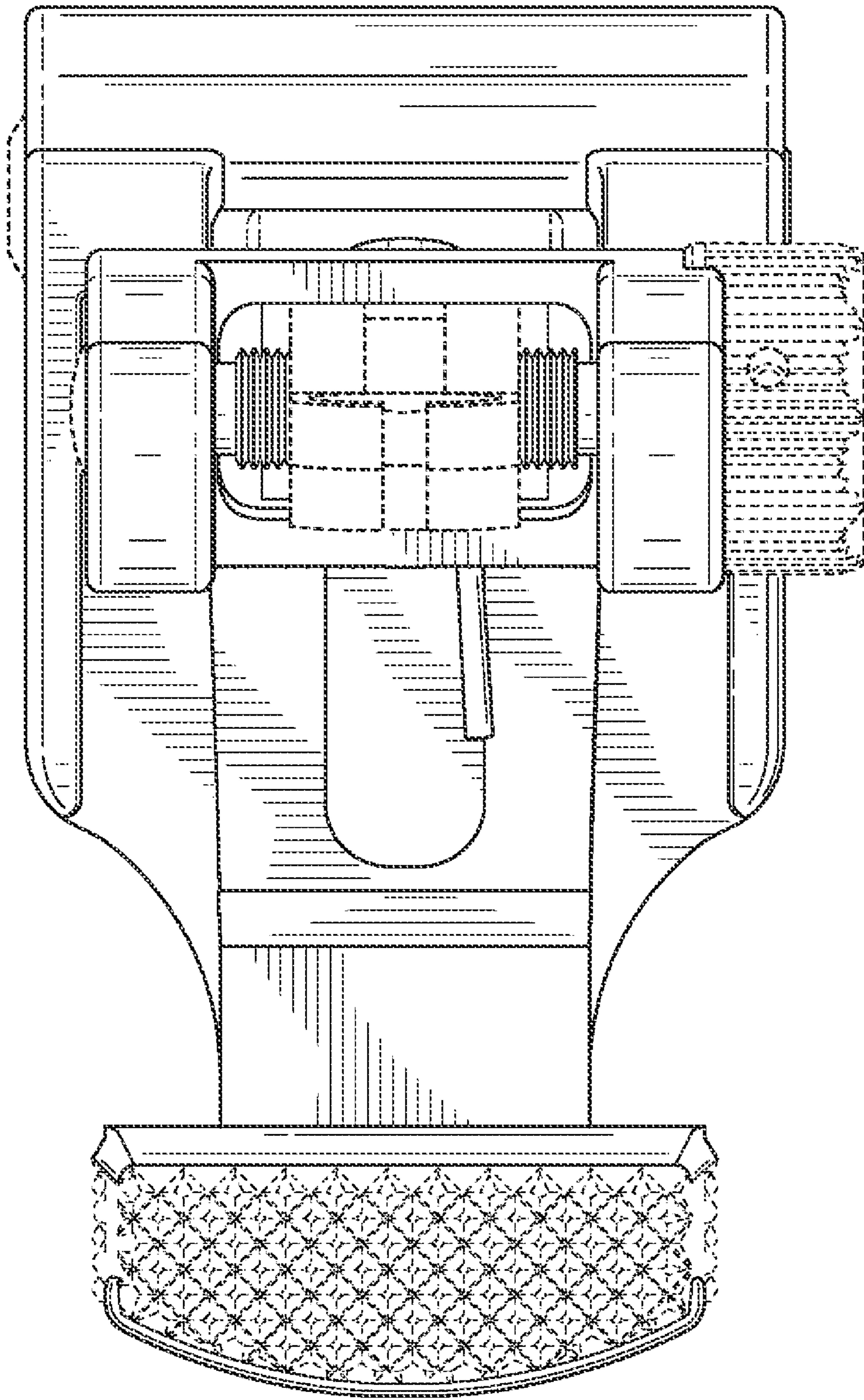


FIG. 6

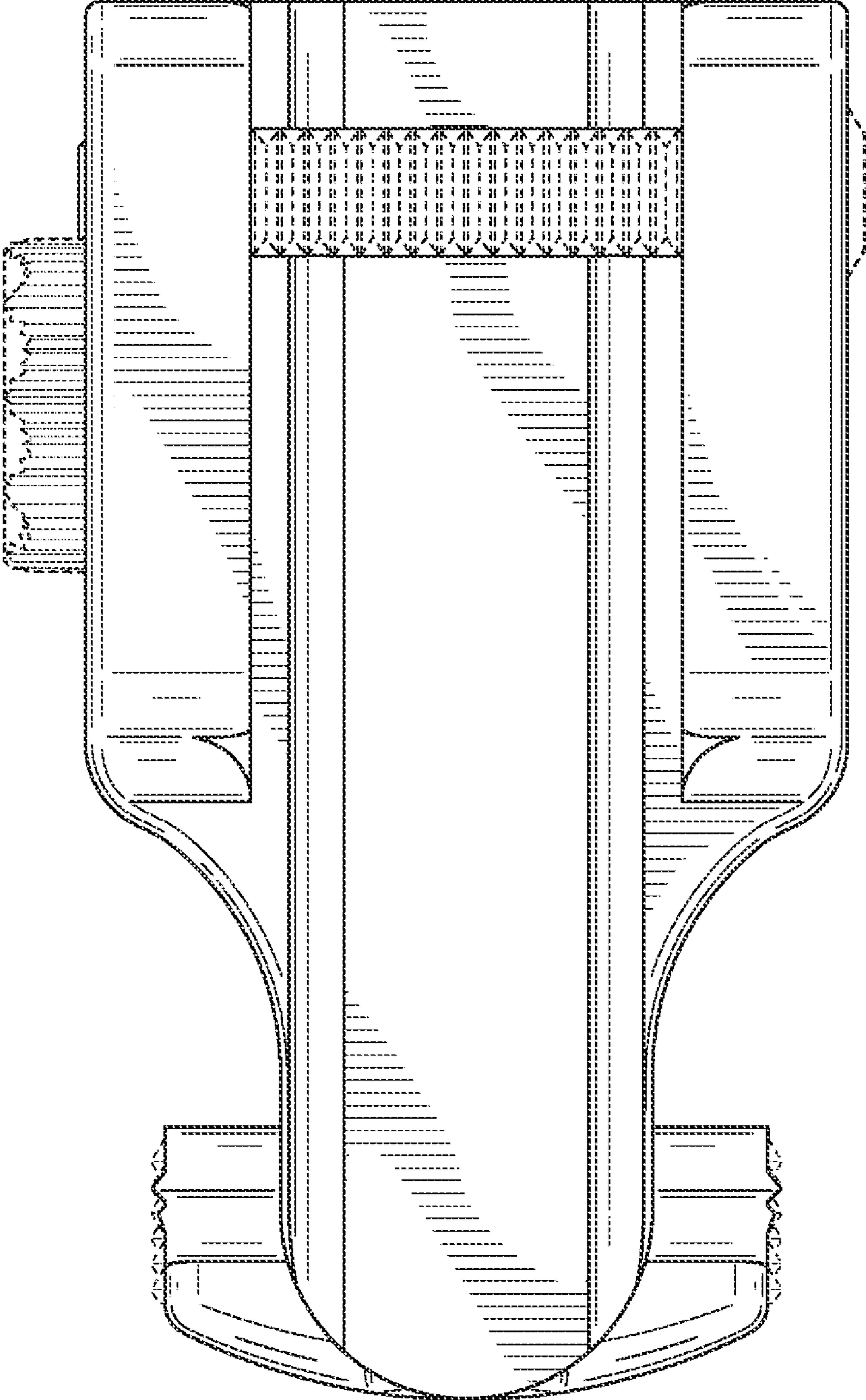


FIG. 7