



US00D637258S

(12) **United States Design Patent**
Bengtsson

(10) **Patent No.:** **US D637,258 S**

(45) **Date of Patent:** **** May 3, 2011**

(54) **HUNTING SIGHT**

(75) Inventor: **Peter Bengtsson**, Oxie (SE)

(73) Assignee: **GS Development AB**, Malmö (SE)

(**) Term: **14 Years**

(21) Appl. No.: **29/344,810**

(22) Filed: **Oct. 5, 2009**

(51) **LOC (9) Cl.** **22-01**

(52) **U.S. Cl.** **D22/109**

(58) **Field of Classification Search** D22/108-110,
D22/199; D16/132, 130, 133, 330, 134;
359/399, 823, 744; 42/111, 133, 119, 122;
33/227

See application file for complete search history.

(56) **References Cited**

U.S. PATENT DOCUMENTS

3,058,391	A *	10/1962	Leupold	359/422
3,492,733	A *	2/1970	Leatherwood	42/122
4,395,096	A *	7/1983	Gibson	359/422
5,111,587	A *	5/1992	Plank	42/127
5,771,595	A *	6/1998	Bell	42/122
D417,679	S *	12/1999	Cross et al.	D16/132
D421,286	S *	2/2000	Tucker	D22/109
D427,275	S *	6/2000	Gilmore	D22/109
D516,156	S *	2/2006	Crandall	D22/109
D619,192	S *	7/2010	Riley	D22/108
2006/0107579	A1 *	5/2006	Thomas	42/119

* cited by examiner

Primary Examiner — T. Chase Nelson

Assistant Examiner — Michael Pratt

(74) *Attorney, Agent, or Firm* — Thomas, Kayden, Horstemeyer & Riskey, LLP; Todd Deveau

(57) **CLAIM**

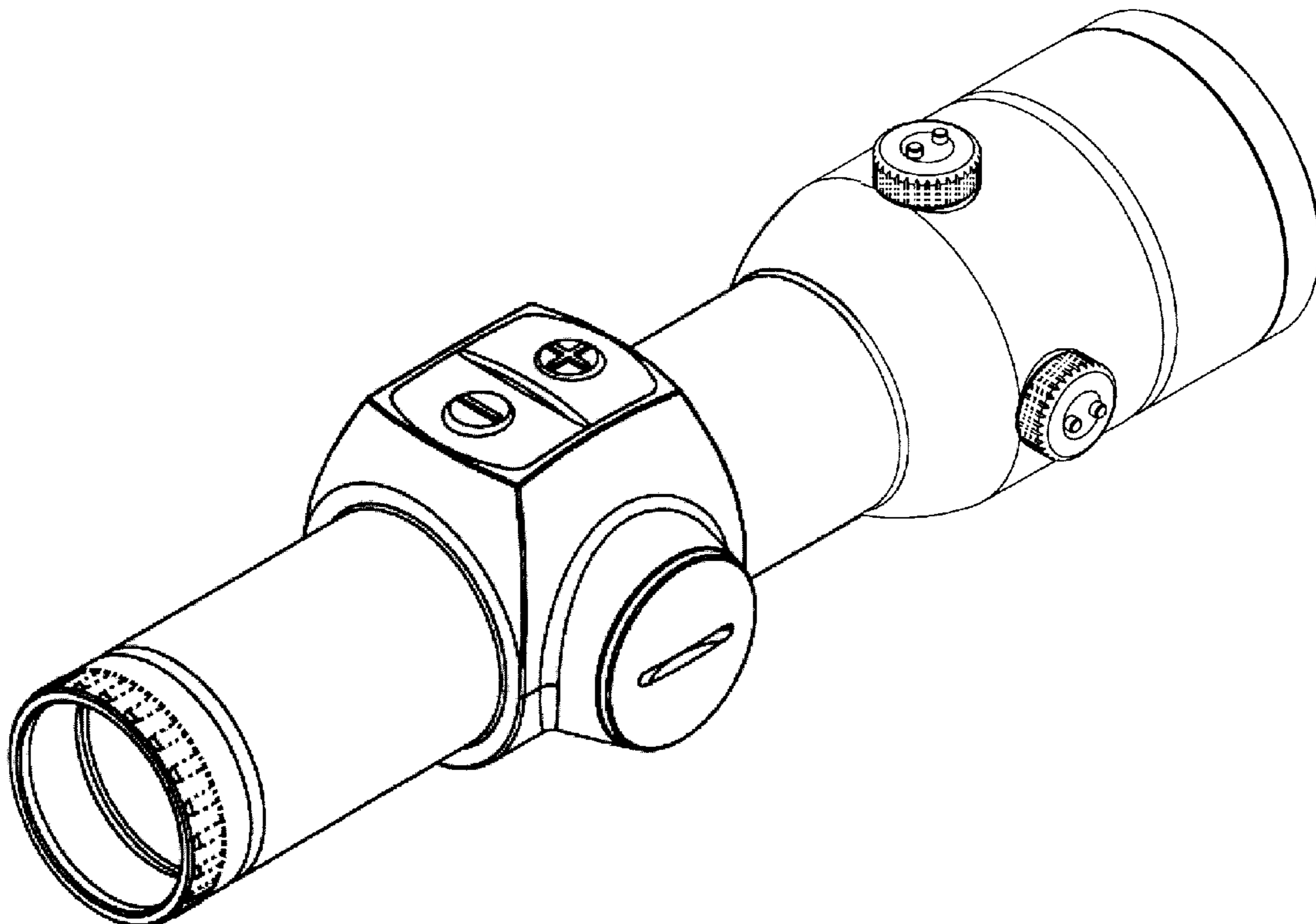
The ornamental design for a hunting sight, as shown and described.

DESCRIPTION

FIG. 1 is a perspective top view of my new hunting sight; FIG. 2 is a top plan view of my new hunting sight; FIG. 3 is a side elevational view of my new hunting sight taken from the right side of FIG. 2; FIG. 4 is a bottom plan view of my new hunting sight; FIG. 5 is a side elevational view of my new hunting sight taken from the left side of FIG. 2; FIG. 6 is an end view of my new hunting sight; and, FIG. 7 is an end view of my new hunting sight from the end opposite that of FIG. 6.

The broken line showing the circular features illustrated in FIG. 7, the radial pattern of rectangular elements and the semi-circular portion about the radial pattern of rectangular elements of one end of the sight in FIGS. 1-5, and the repeating pattern of angled cuts on the two adjustment knobs in FIGS. 1-5 and 7 are for the purpose of illustrating environmental structure and form no part of the claimed design.

1 Claim, 7 Drawing Sheets



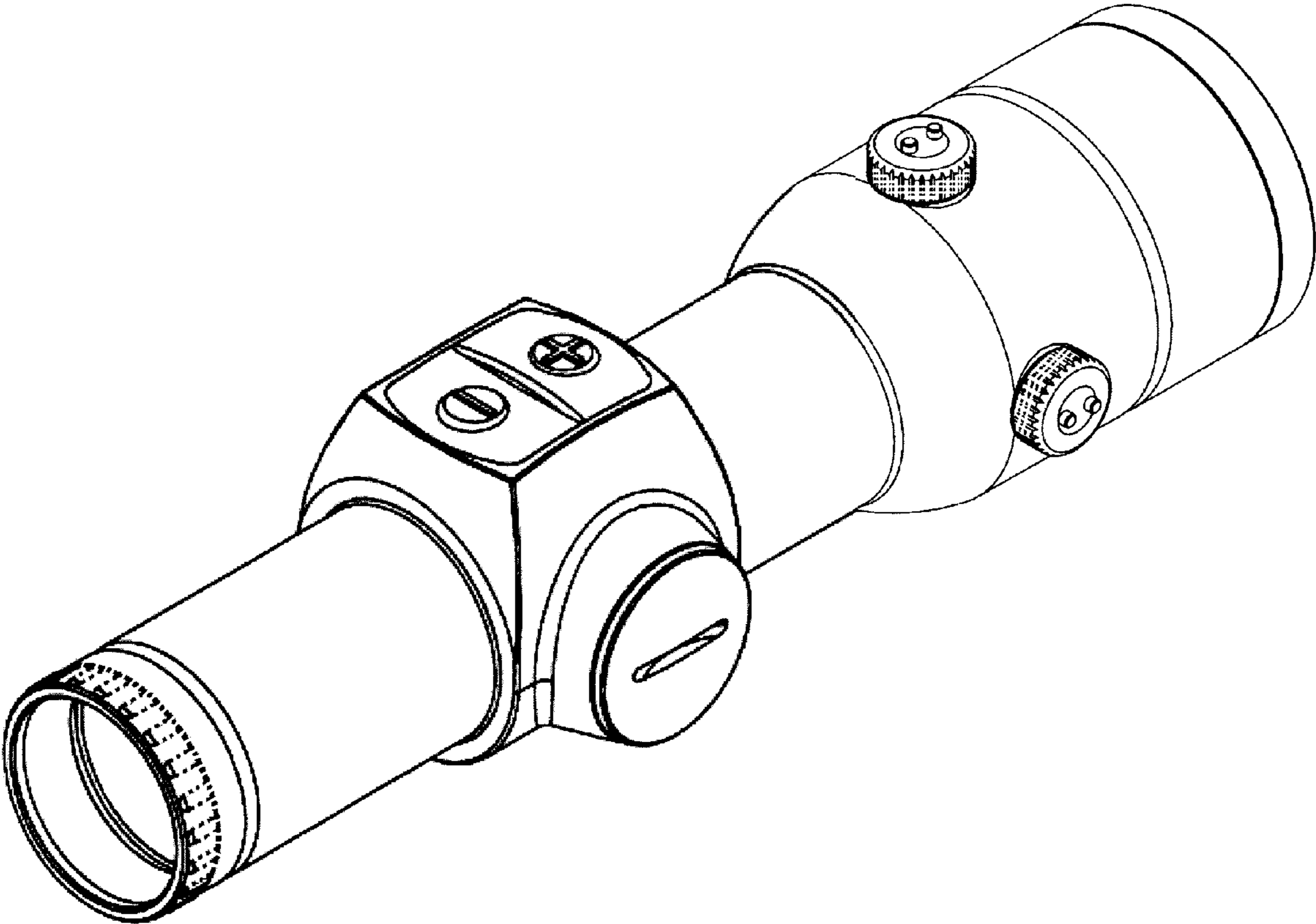


FIG. 1

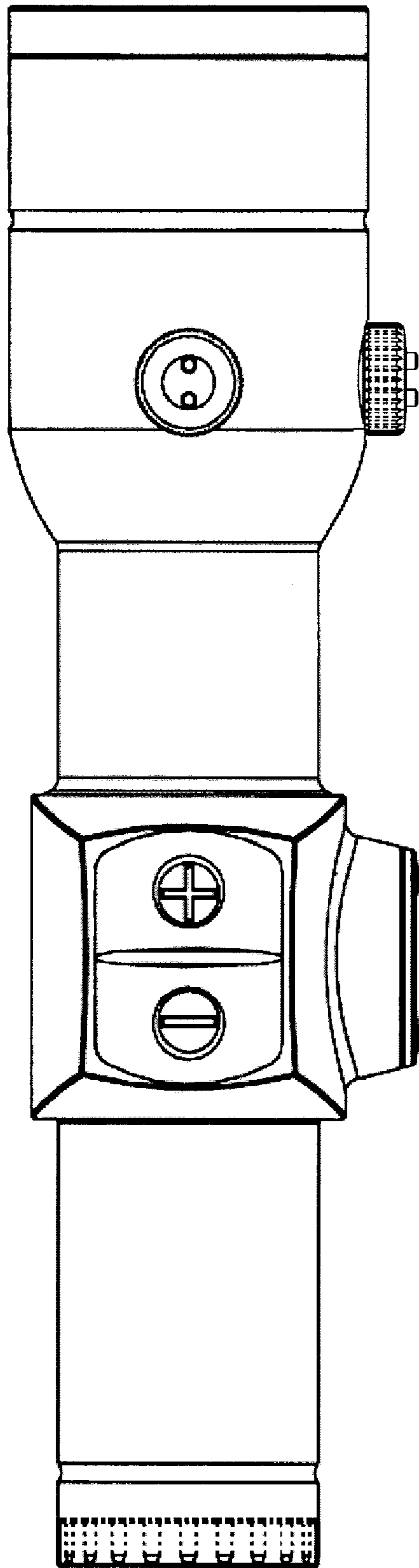


FIG. 2

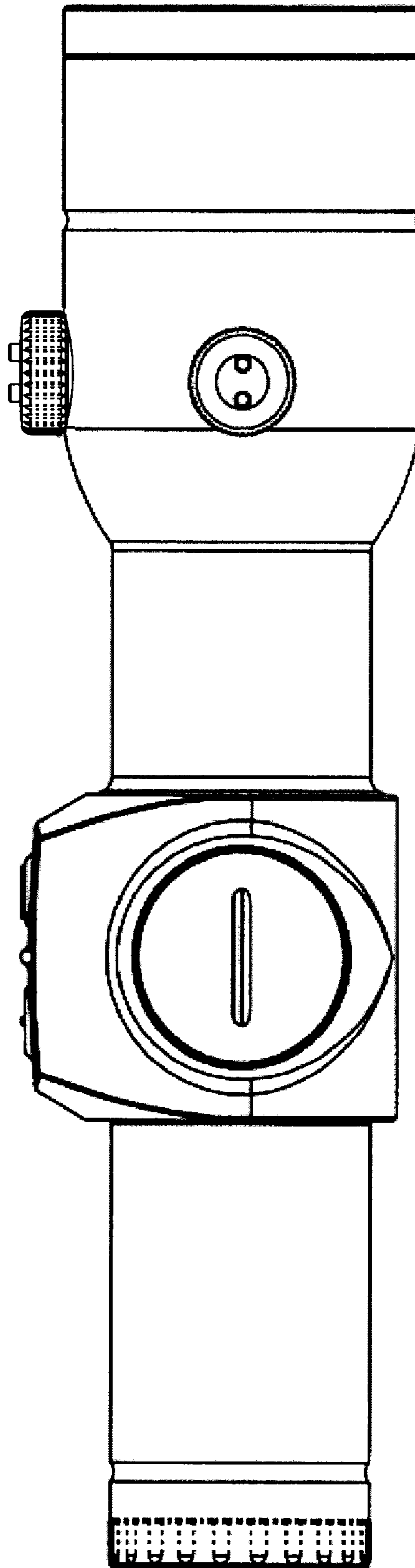


FIG. 3

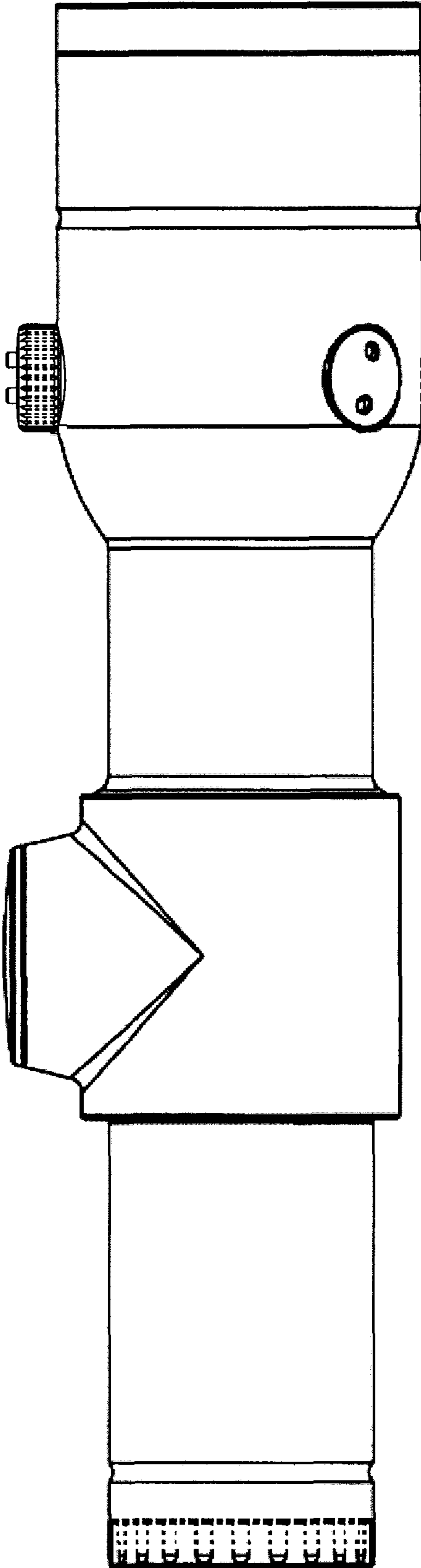


FIG. 4

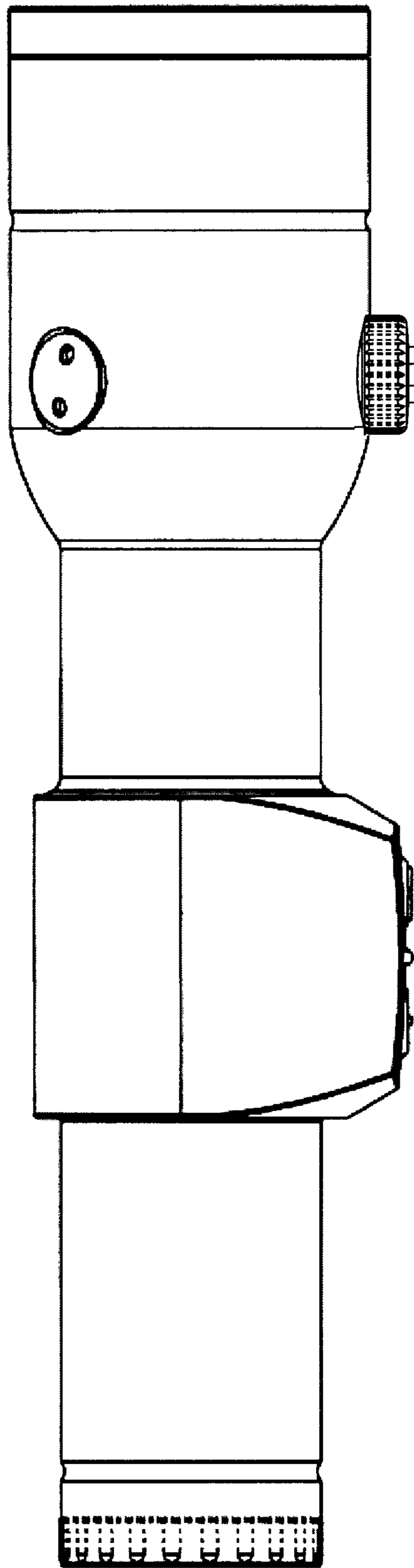


FIG. 5

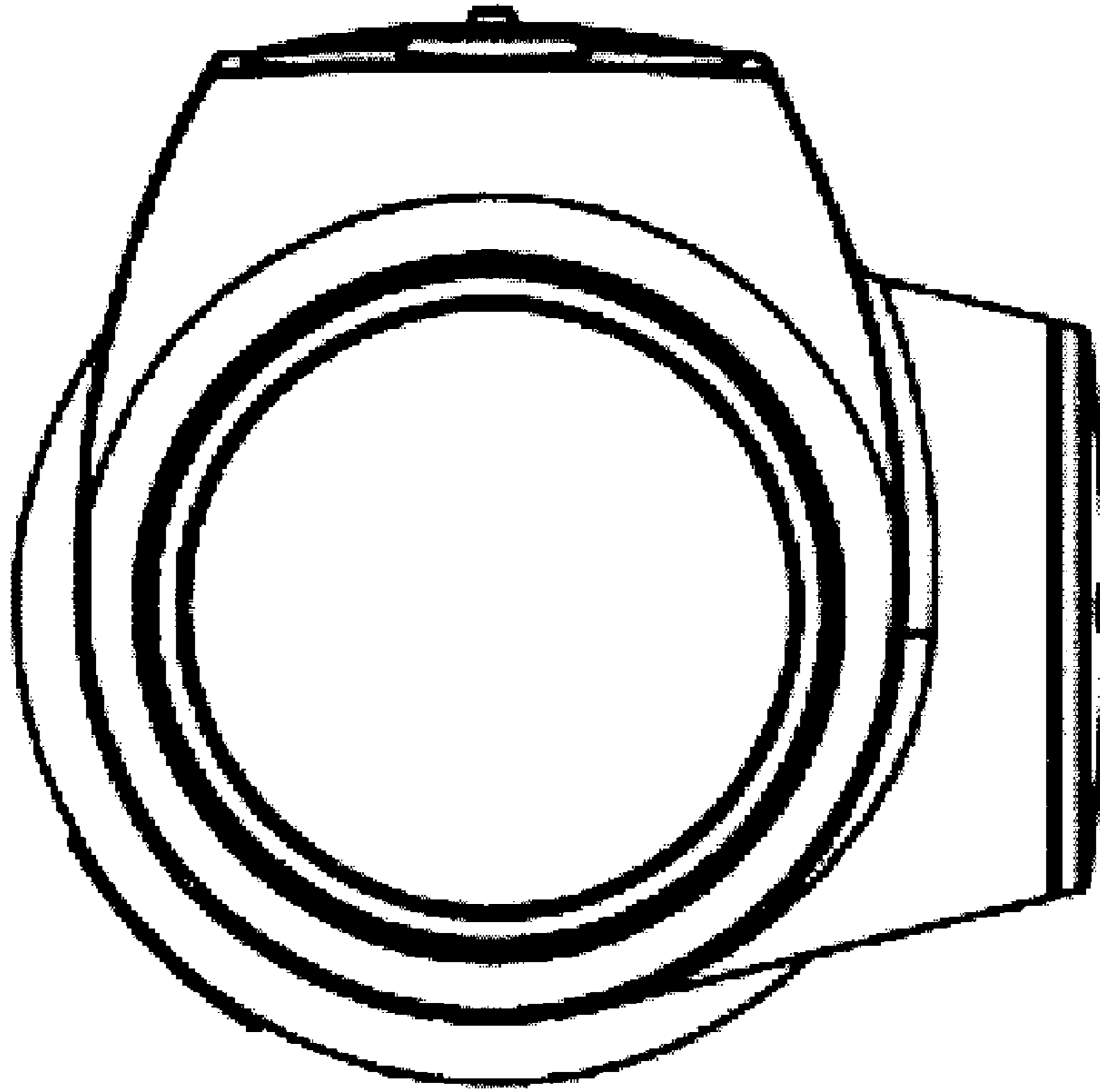


FIG. 6

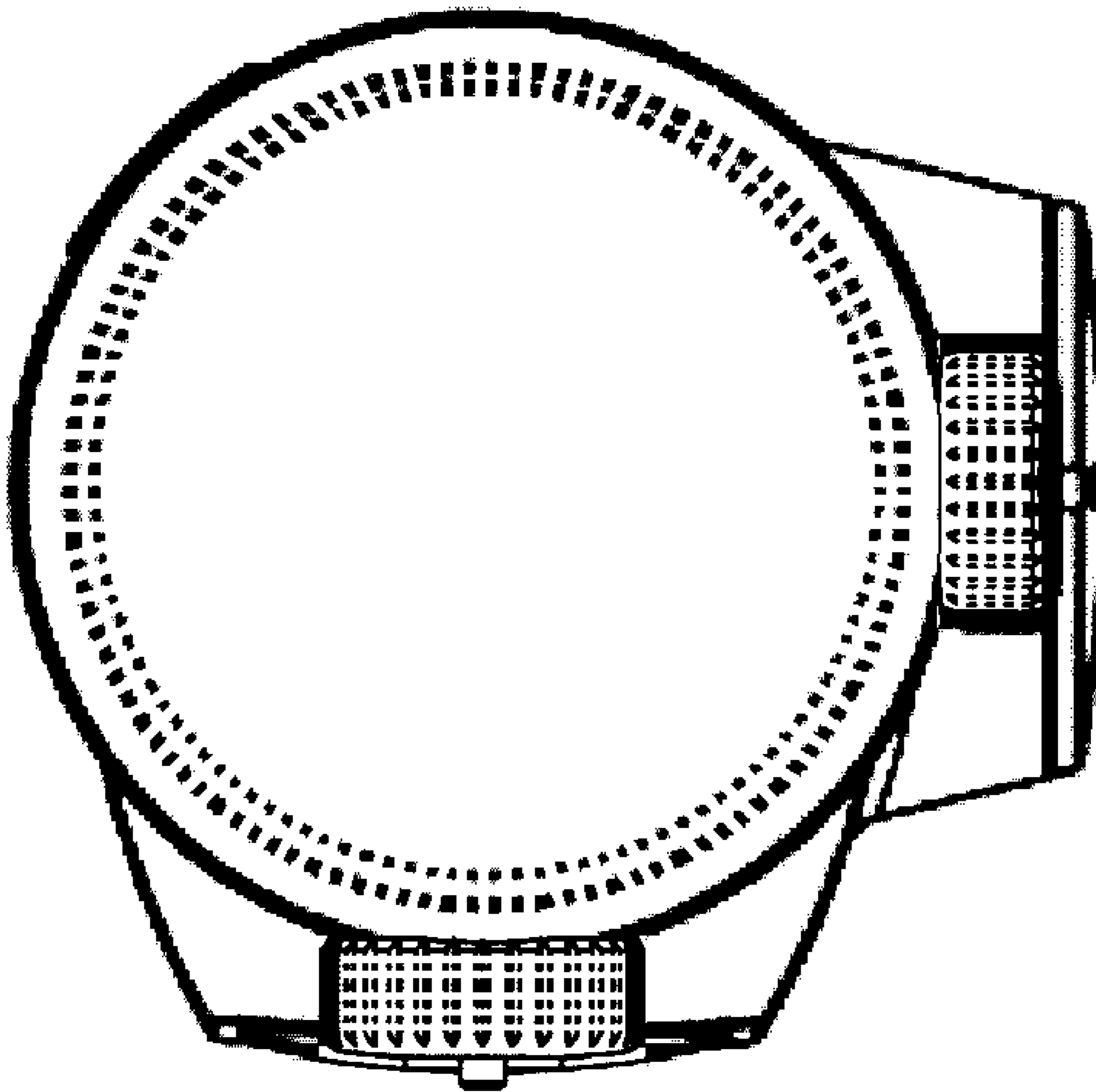


FIG. 7