



US00D637256S

(12) **United States Design Patent**  
**McPherson**

(10) **Patent No.:** **US D637,256 S**

(45) **Date of Patent:** **\*\* May 3, 2011**

(54) **ARCHERY BOW RISER**

(76) Inventor: **Mathew A. McPherson**, Norwalk, WI  
(US)

(\*\*) Term: **14 Years**

(21) Appl. No.: **29/355,289**

(22) Filed: **Feb. 4, 2010**

(51) **LOC (9) Cl.** ..... **22-01**

(52) **U.S. Cl.** ..... **D22/107**

(58) **Field of Classification Search** ..... D22/100,  
D22/107, 199; 124/23.1, 25.6, 44.5, 86,  
124/88

See application file for complete search history.

(56) **References Cited**

**U.S. PATENT DOCUMENTS**

D297,965 S	10/1988	Luse	
D439,627 S	3/2001	D'Acquisto	
6,321,736 B1	11/2001	McPherson	
6,516,790 B1	2/2003	Darlington	
D503,958 S	4/2005	Kronengold et al.	
D528,625 S	9/2006	Blosser et al.	
7,597,095 B2 *	10/2009	Grace et al.	124/44.5
7,699,045 B1 *	4/2010	Kronengold et al.	124/25.6

\* cited by examiner

*Primary Examiner* — T. Chase Nelson

*Assistant Examiner* — Michael A Pratt

(74) *Attorney, Agent, or Firm* — Vidas, Arrett & Steinkraus,  
P.A.

(57) **CLAIM**

The ornamental design for an archery bow riser, as shown and described.

**DESCRIPTION**

FIG. 1 is a three-dimensional view of the archery bow riser.

FIG. 2 is a side view of the archery bow riser.

FIG. 3 is a side view of the archery bow riser.

FIG. 4 is a back view of the archery bow riser.

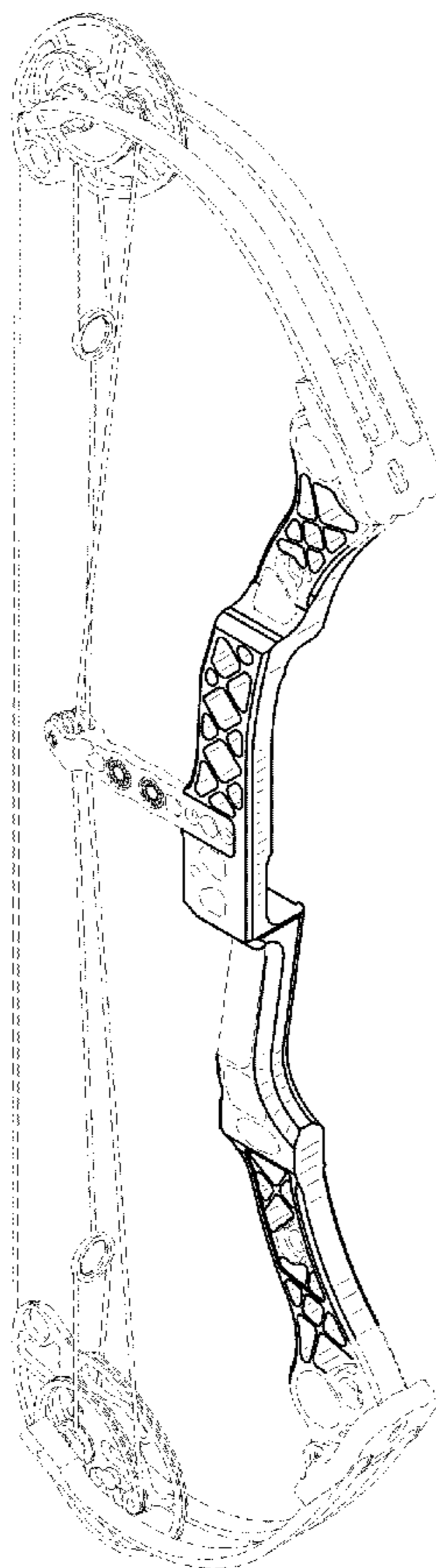
FIG. 5 is a front view of the archery bow riser.

FIG. 6 is a bottom view of the archery bow riser; and,

FIG. 7 is a top view of the archery bow riser.

The broken lines immediately adjacent to the solid lines in the handle/grip area and on the upper and lower beam portions of the riser in FIGS. 1-3 form the boundary of the claim, with the broken lines themselves forming no part of the claimed design. The broken lines showing the limbs, rotatable members, cables and cable positioning device are included for the purpose of illustrating environment and do not form a part of the claimed design.

**1 Claim, 5 Drawing Sheets**



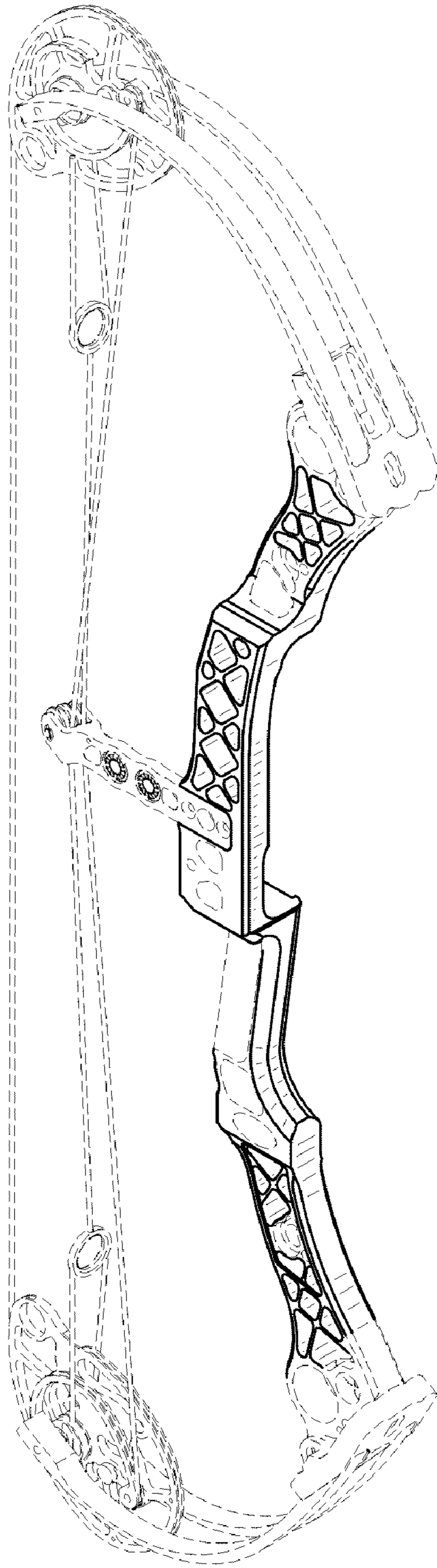


FIG. 1

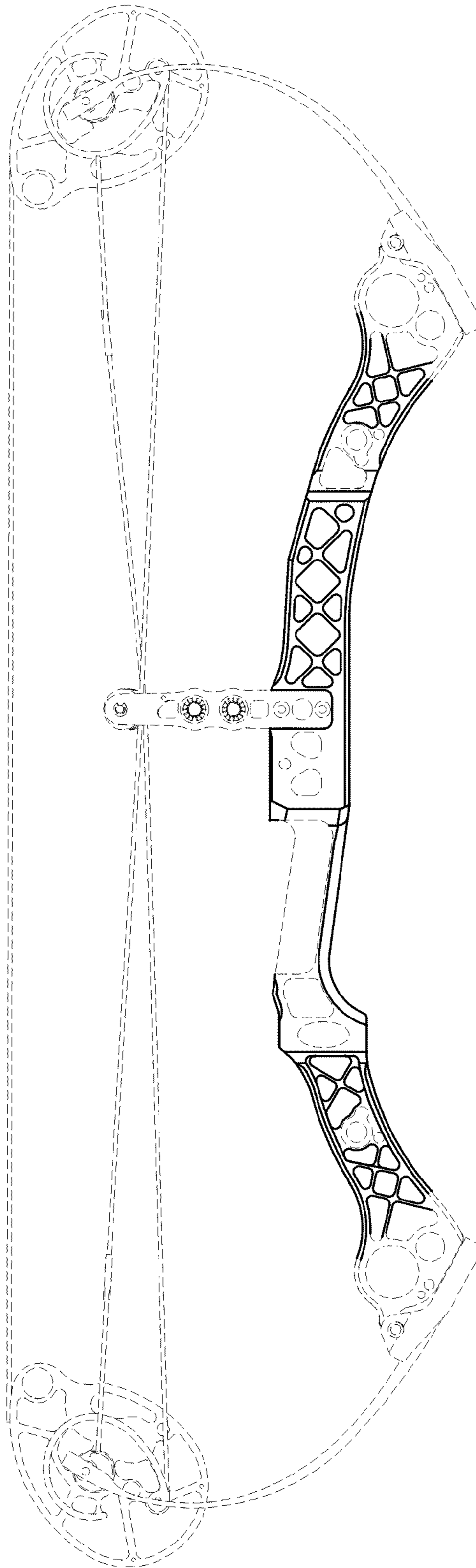


FIG. 2

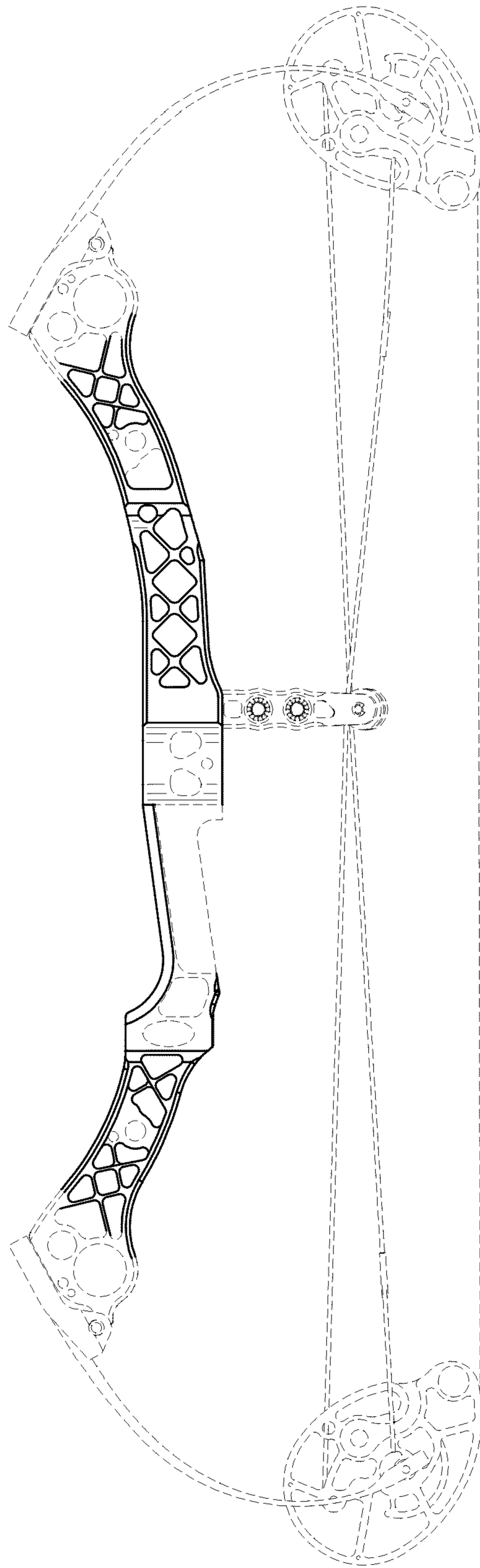


FIG. 3

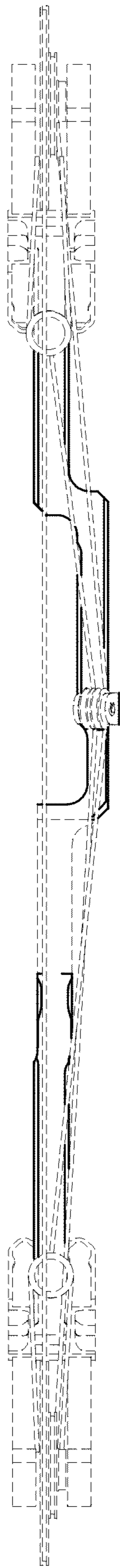


FIG. 4

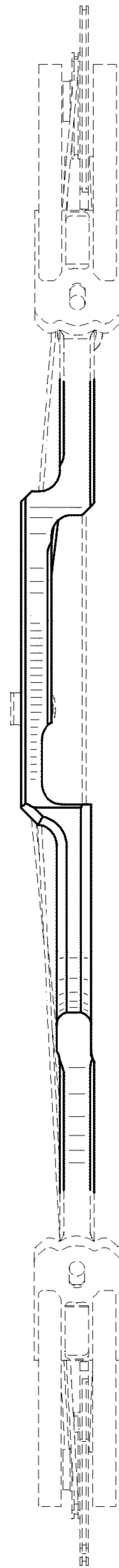


FIG. 5

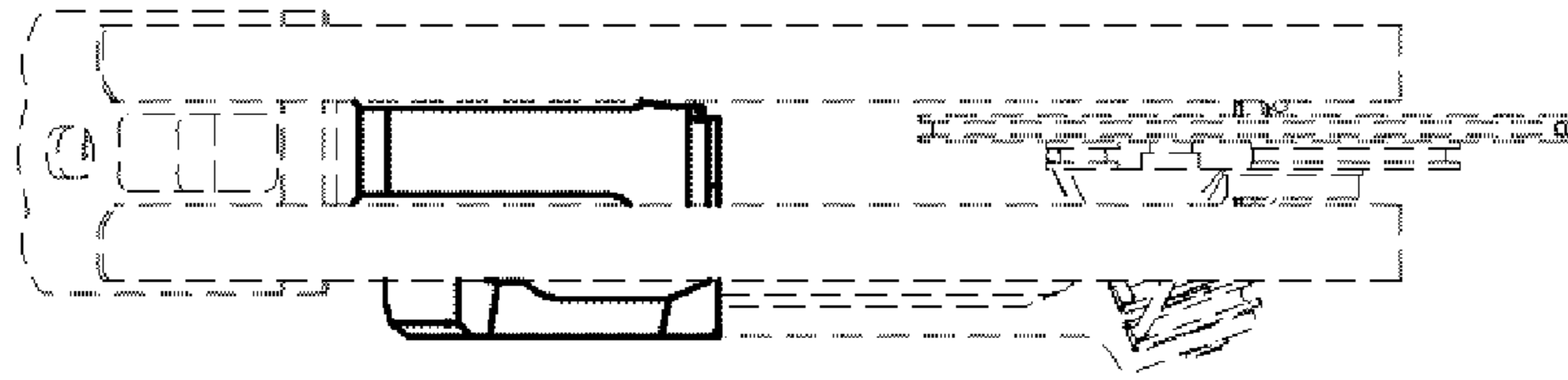


FIG. 6

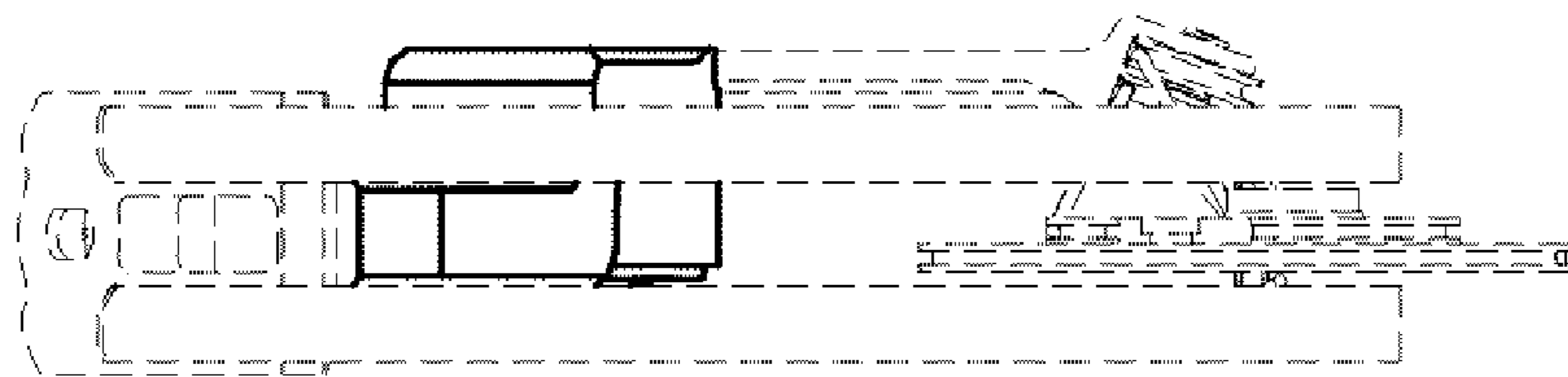


FIG. 7