



US00D637254S

(12) **United States Design Patent**  
**Uedelhoven**

(10) **Patent No.:** **US D637,254 S**

(45) **Date of Patent:** **\*\* May 3, 2011**

(54) **REVOLVER**

(75) Inventor: **Jürgen Uedelhoven**, Gaimersheim (DE)

(73) Assignee: **Armatix Invest GmbH**, Zurich (CH)

(\*\*) Term: **14 Years**

(21) Appl. No.: **29/351,366**

(22) Filed: **Dec. 4, 2009**

(51) **LOC (9) Cl.** ..... **22-01**

(52) **U.S. Cl.** ..... **D22/104**

(58) **Field of Classification Search** ..... D22/100,  
D22/104, 199; D21/145, 146, 147, 567,  
D21/572, 573-575; 42/40, 41, 42.01, 42.02,  
42/42.03, 43, 44, 45, 57, 69.01, 71.02, 72,  
42/100; 124/31, 37; 362/110, 113

See application file for complete search history.

(56) **References Cited**

**U.S. PATENT DOCUMENTS**

D138,566 S *	8/1944	Bollmeier	.....	D21/574
D179,657 S *	2/1957	Pittman	.....	D22/104
D239,282 S *	3/1976	Kenedy	.....	D22/104
D259,947 S *	7/1981	Bianchi et al.	.....	D3/222
D296,349 S *	6/1988	Ruger et al.	.....	D22/104
D428,467 S *	7/2000	Petrosyan	.....	D22/104
D587,778 S *	3/2009	Zajk	.....	D22/104

\* cited by examiner

*Primary Examiner* — T. Chase Nelson

*Assistant Examiner* — Michael Pratt

(74) *Attorney, Agent, or Firm* — Miller, Matthias & Hull LLP

(57) **CLAIM**

The ornamental design for a “revolver,” as shown and described.

**DESCRIPTION**

FIG. 1 is a right side front perspective view of a revolver showing my new design;

FIG. 2 is a left side front perspective view of the revolver of FIG. 1;

FIG. 3 is a right side view of the revolver of FIG. 1;

FIG. 4 is a left side view of the revolver of FIG. 1;

FIG. 5 is a front view of the revolver of FIG. 1;

FIG. 6 is a rear view of the revolver of FIG. 1;

FIG. 7 is a top view of the revolver of FIG. 1;

FIG. 8 is a bottom view of the revolver of FIG. 1;

FIG. 9 is a right side bottom front perspective view of the revolver of FIG. 1;

FIG. 10 is a left side bottom front perspective view of the revolver of FIG. 1;

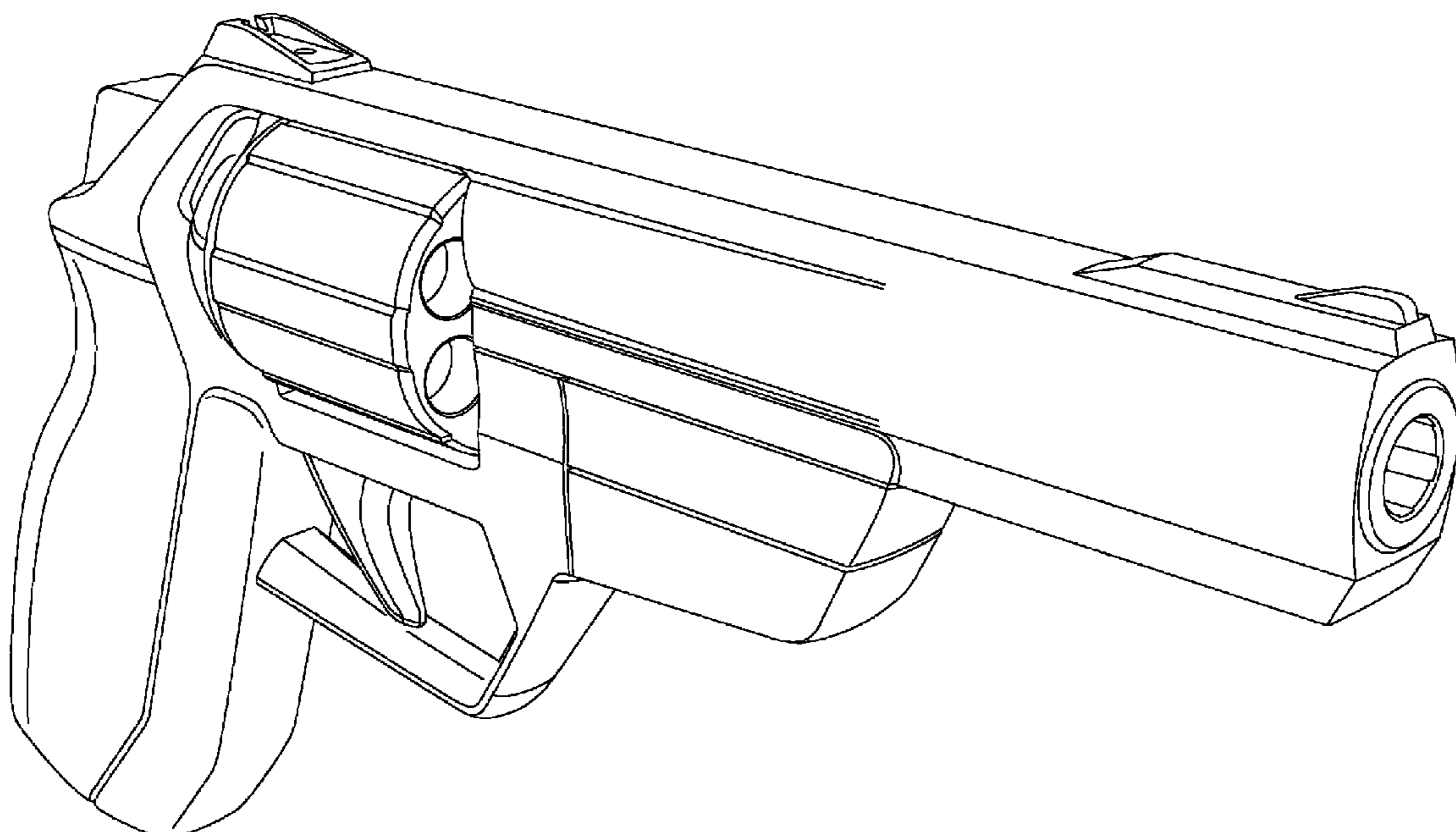
FIG. 11 is a right side rear perspective view of the revolver of FIG. 1;

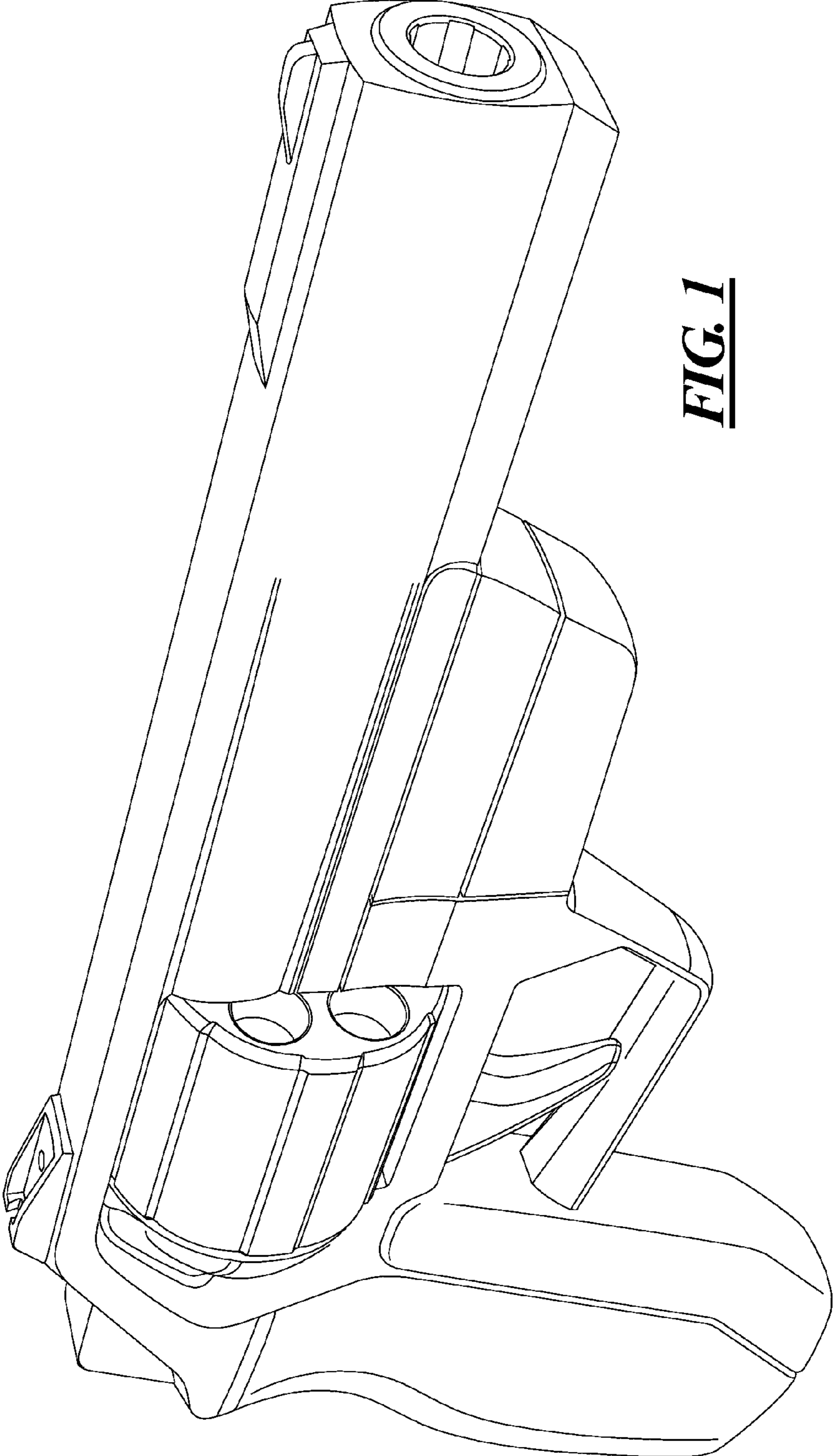
FIG. 12 is a left side rear perspective view of the revolver of FIG. 1;

FIG. 13 is a right side bottom rear perspective view of the revolver of FIG. 1; and,

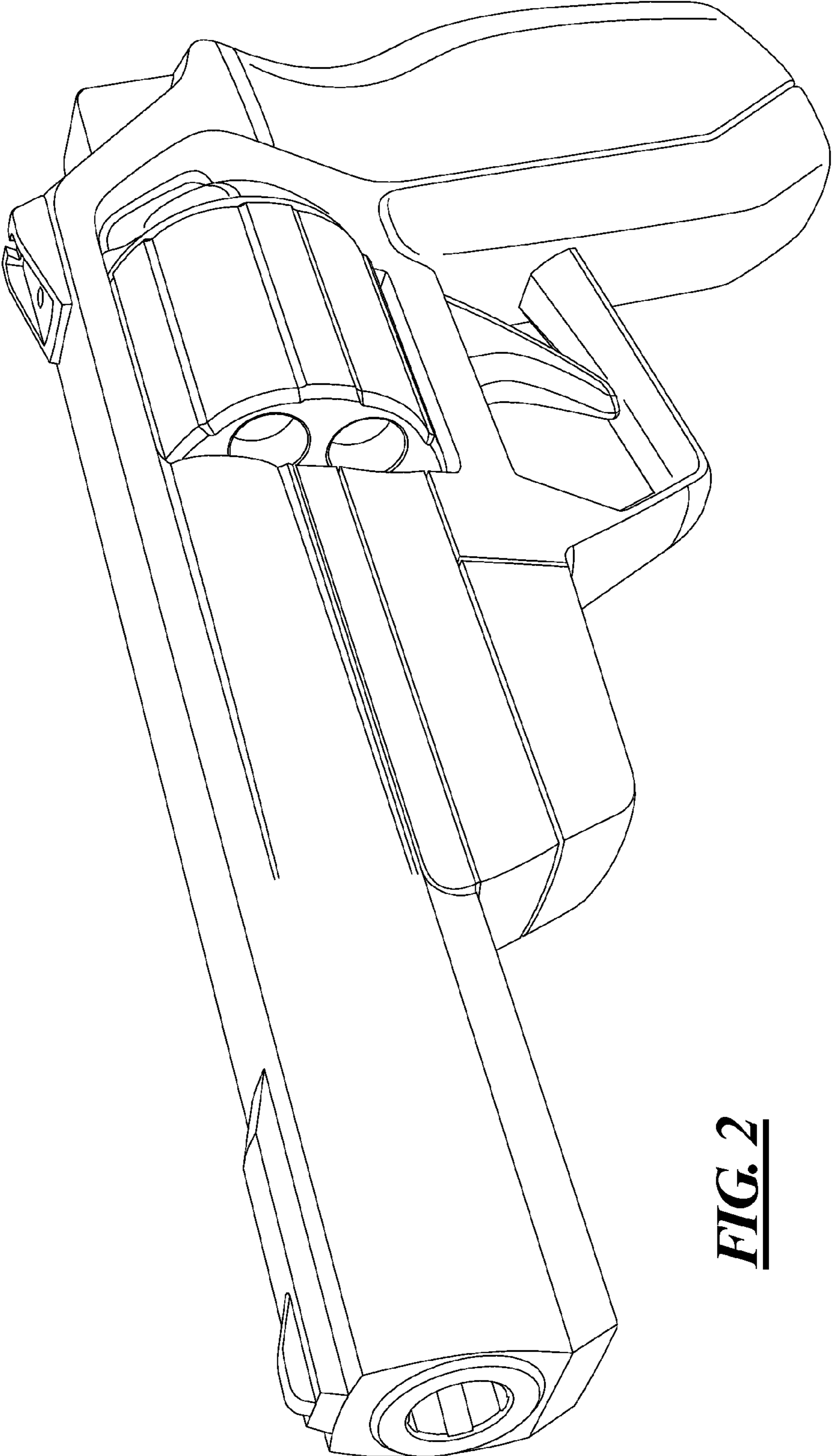
FIG. 14 is a left side bottom rear perspective view of the revolver of FIG. 1.

**1 Claim, 12 Drawing Sheets**

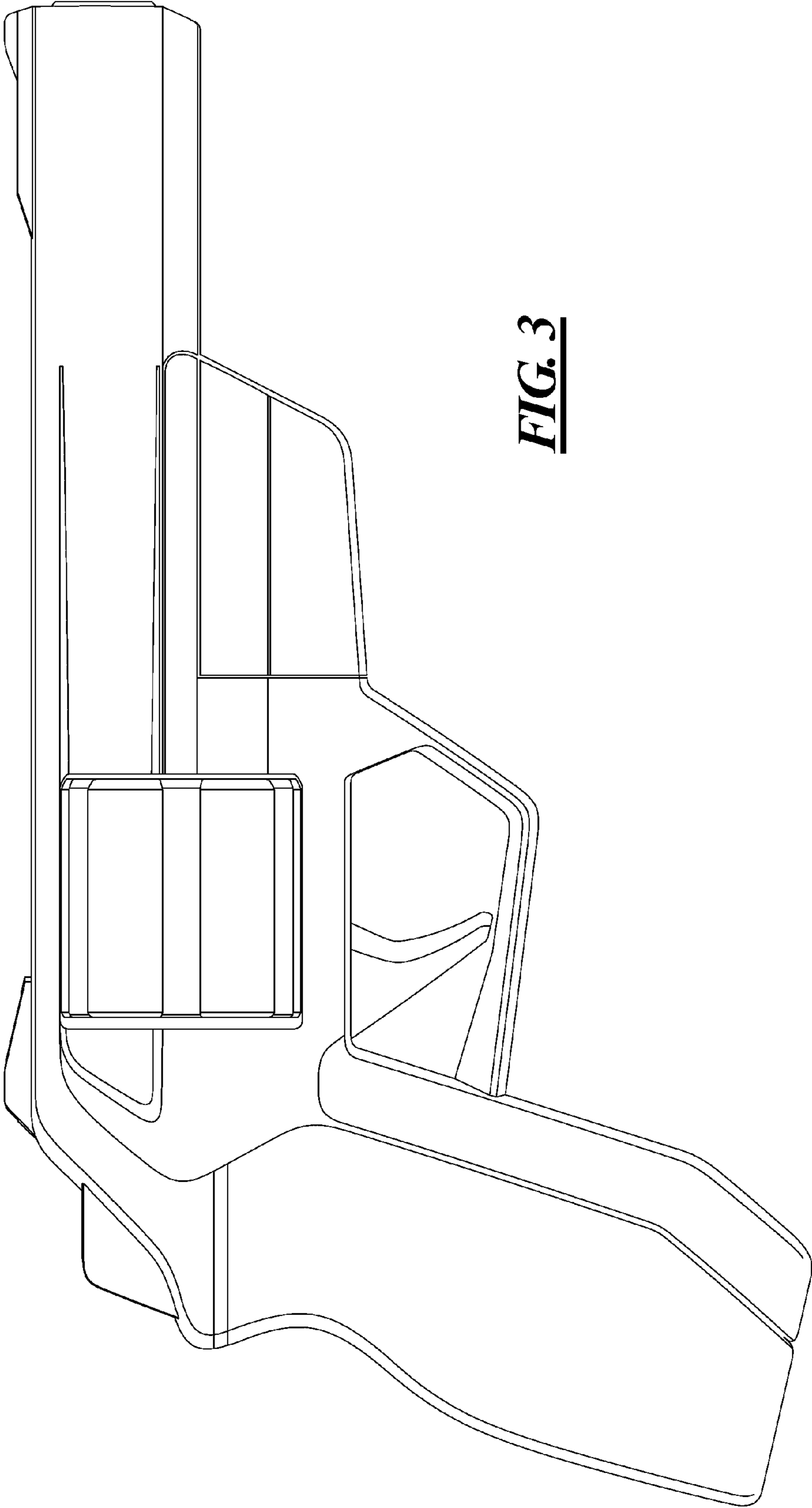




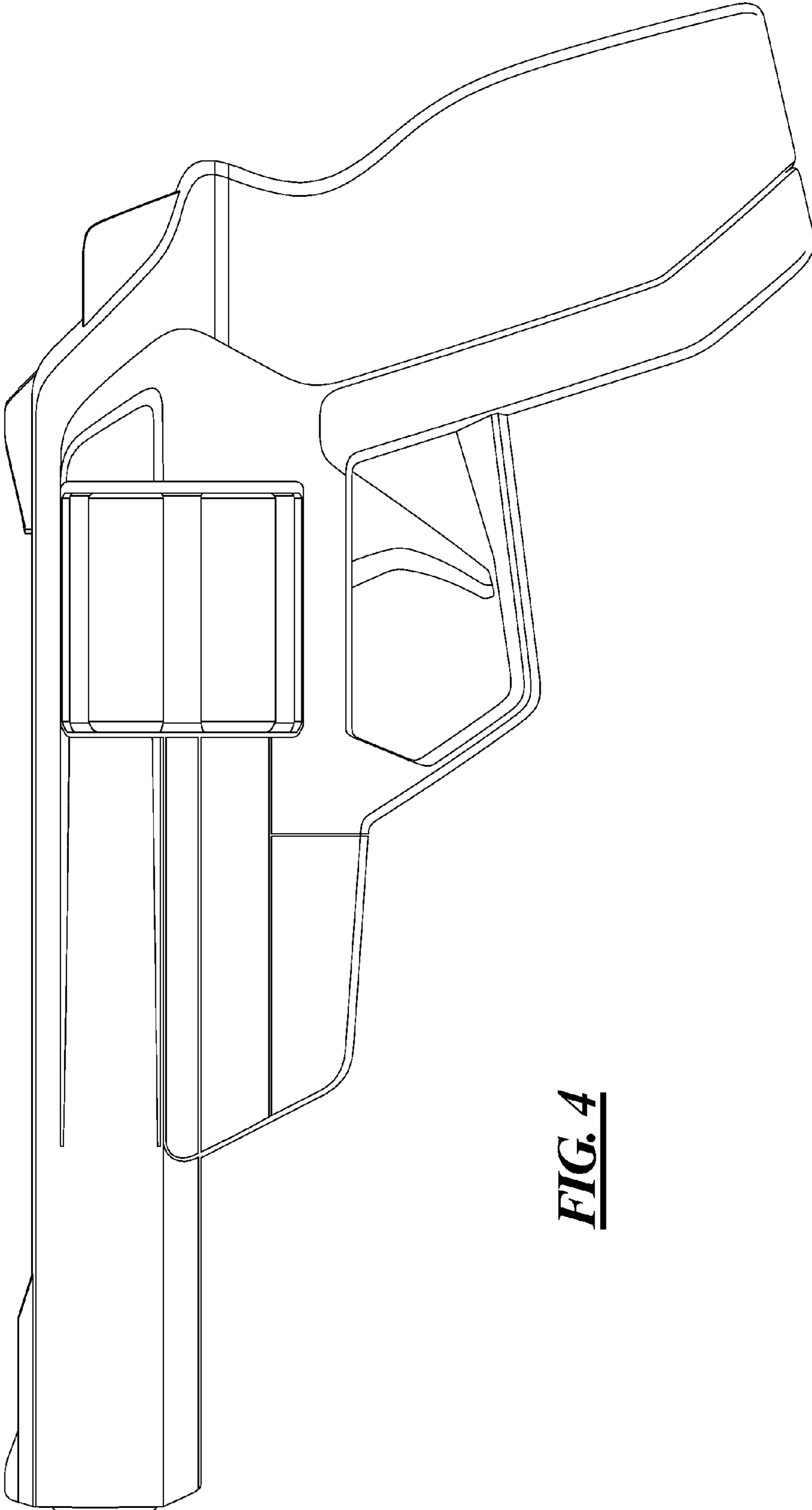
**FIG. 1**



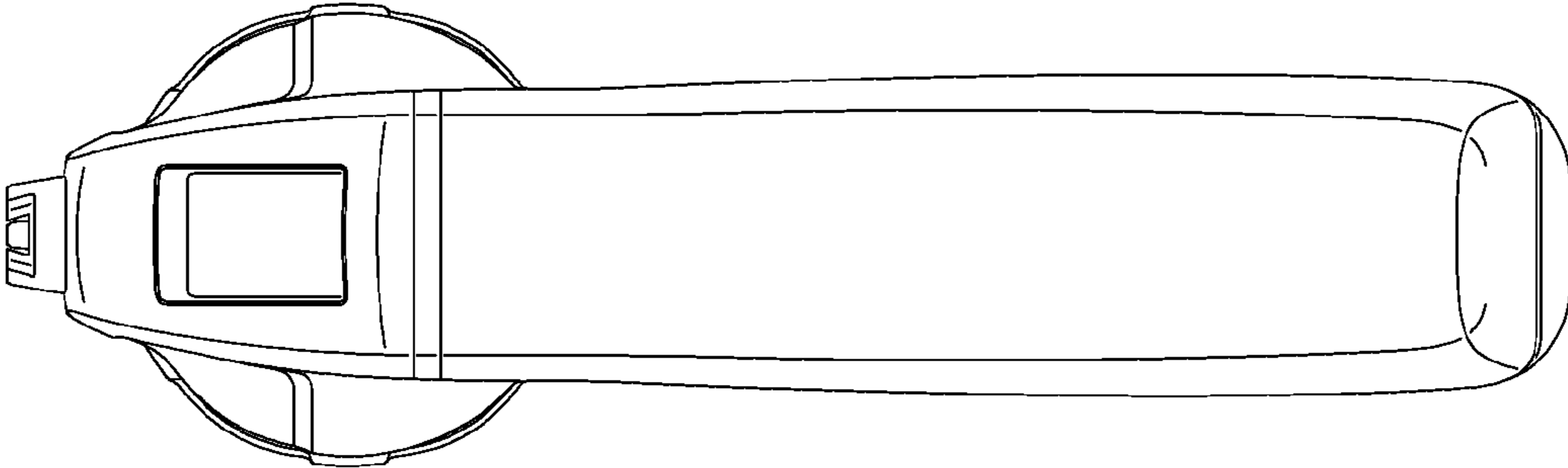
**FIG. 2**



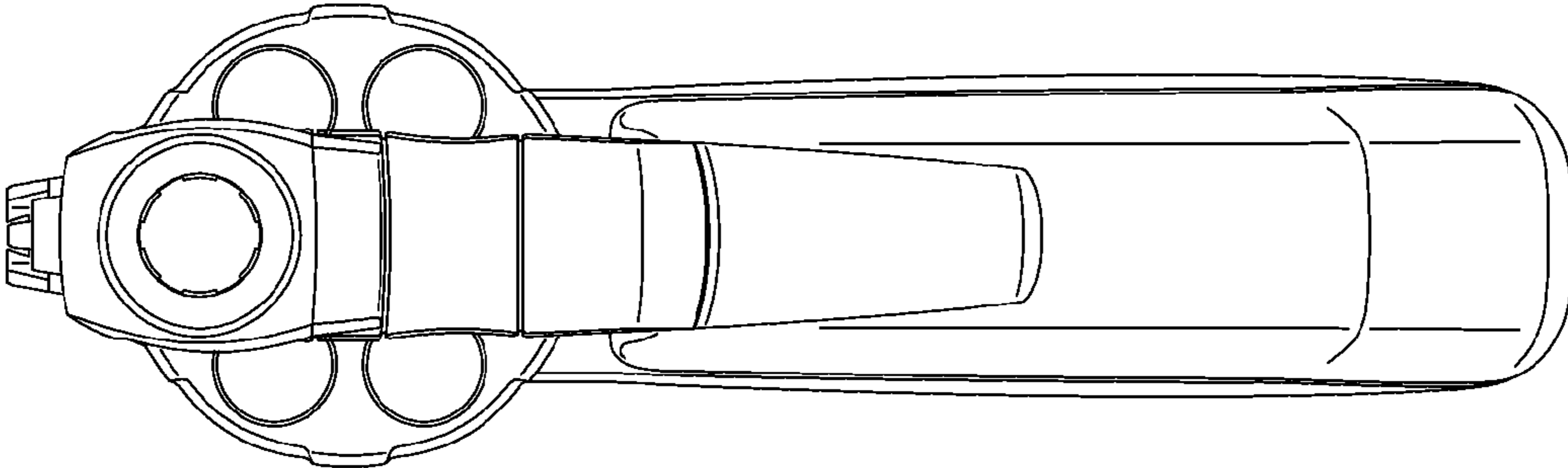
**FIG. 3**



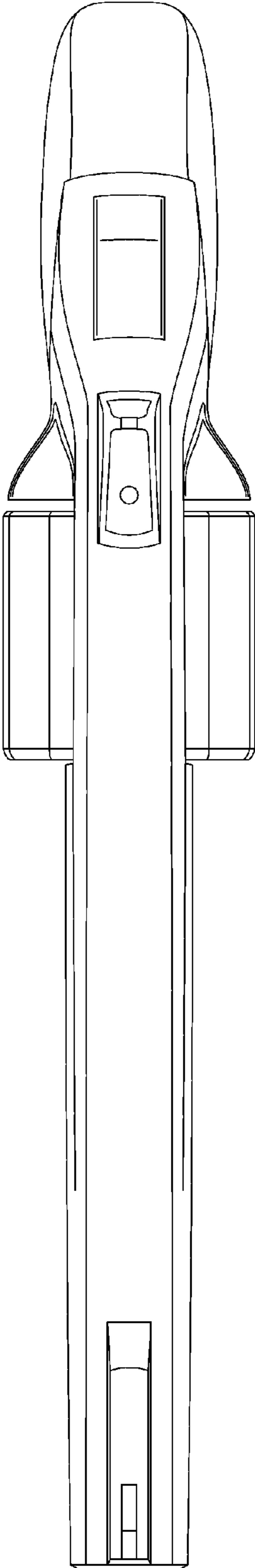
**FIG. 4**



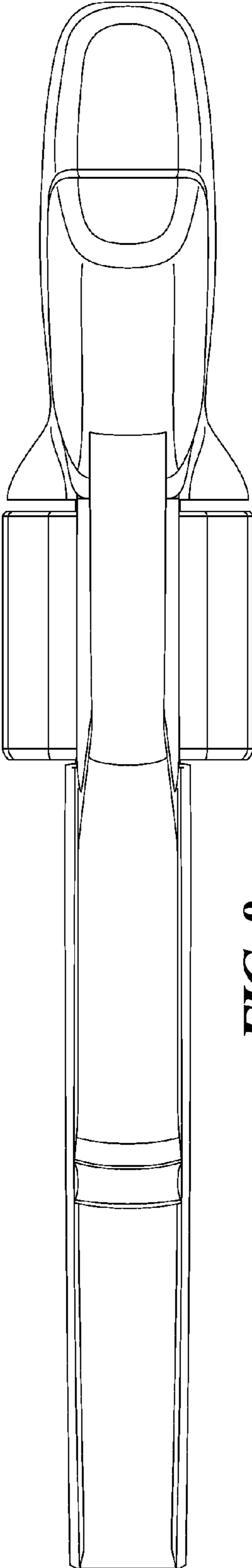
**FIG. 6**



**FIG. 5**

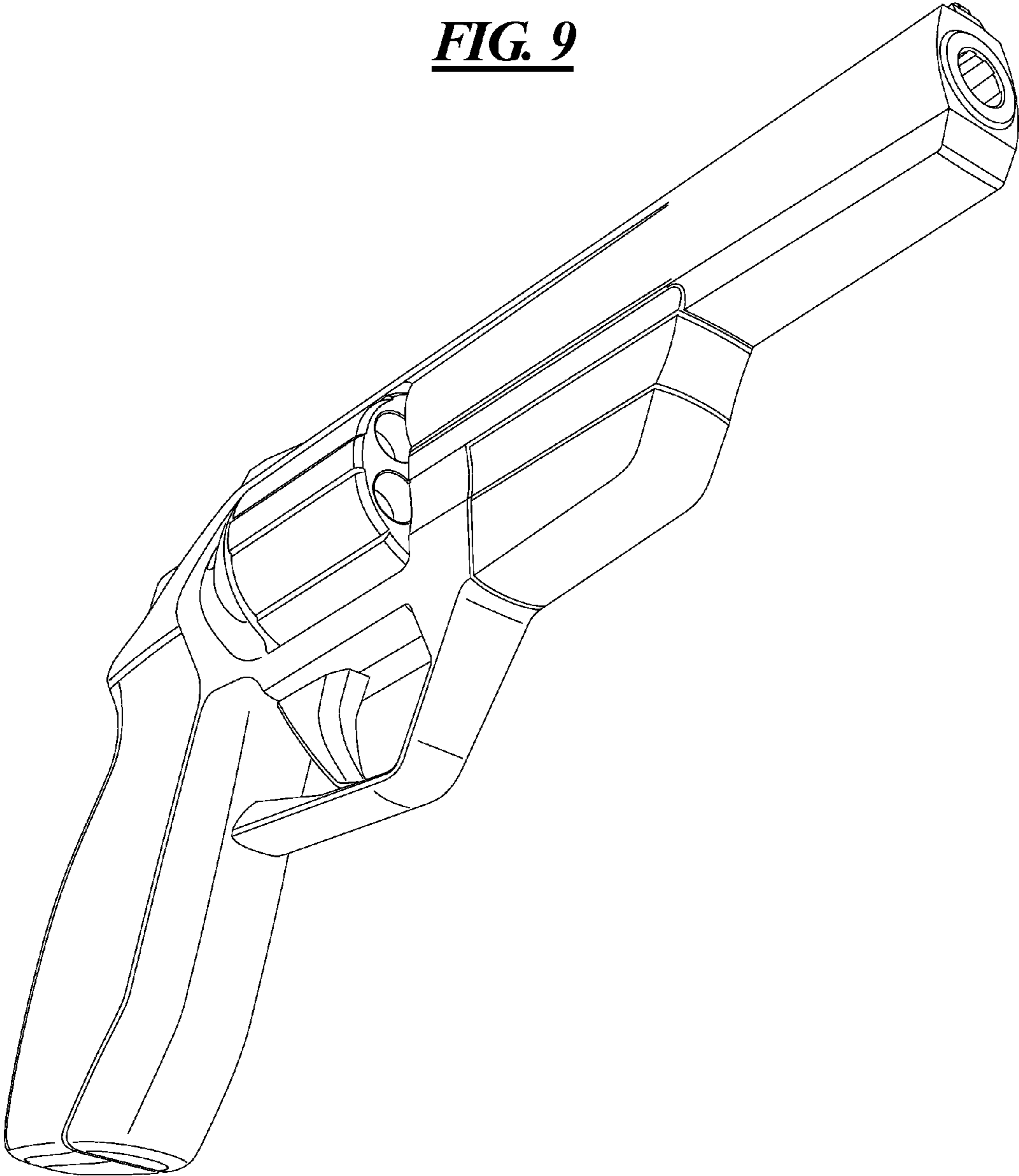


**FIG. 7**



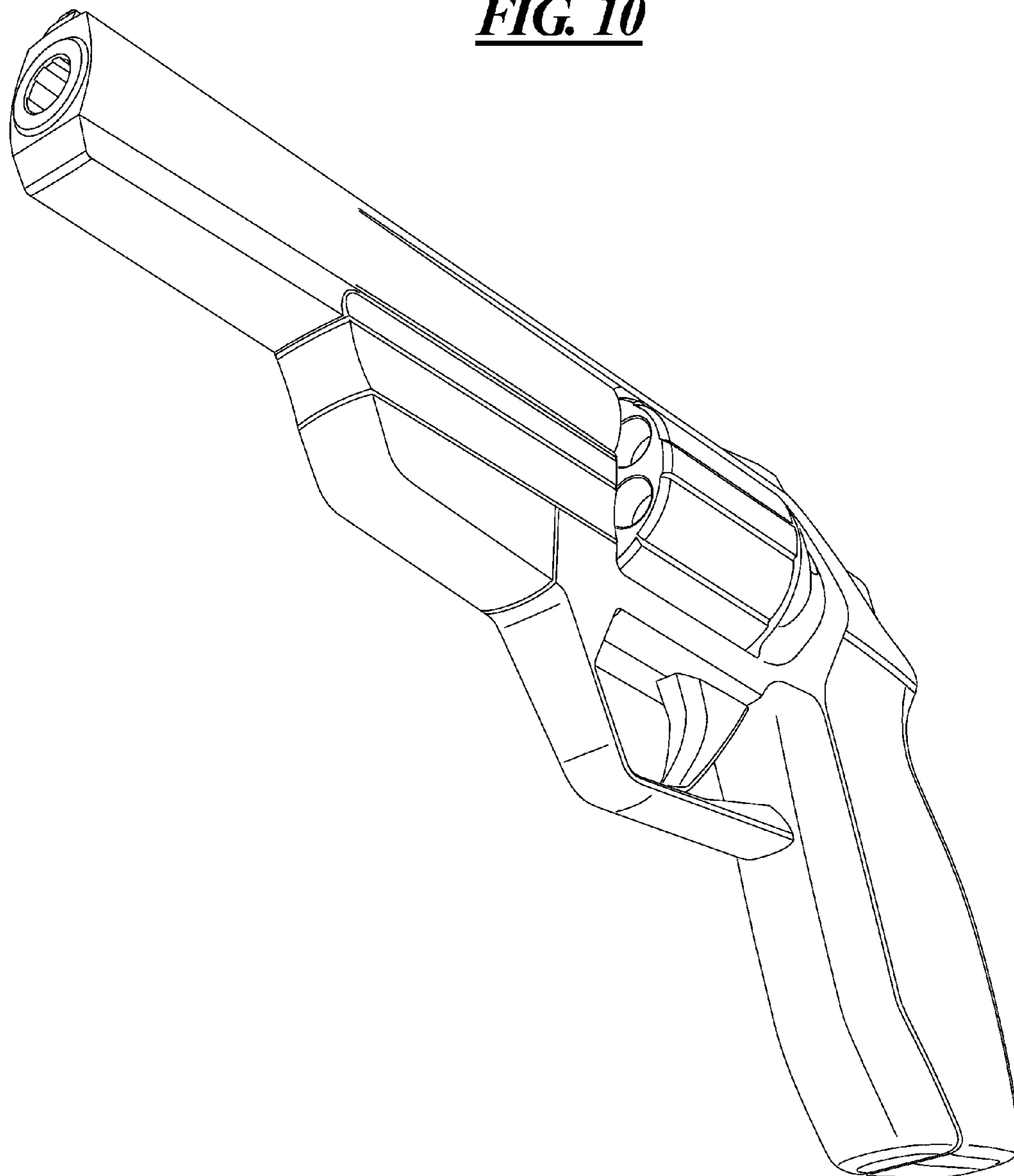
**FIG. 8**

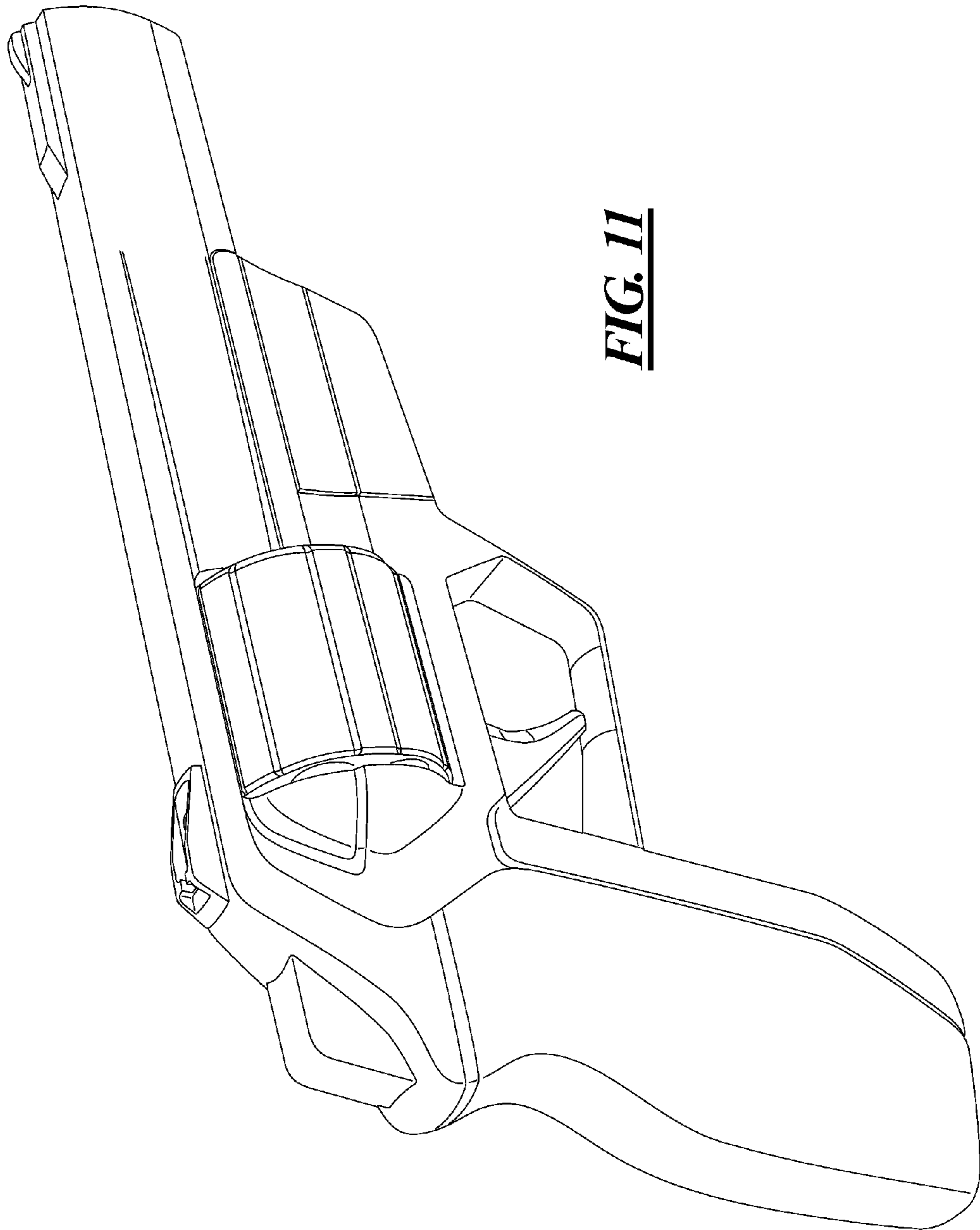
**FIG. 9**



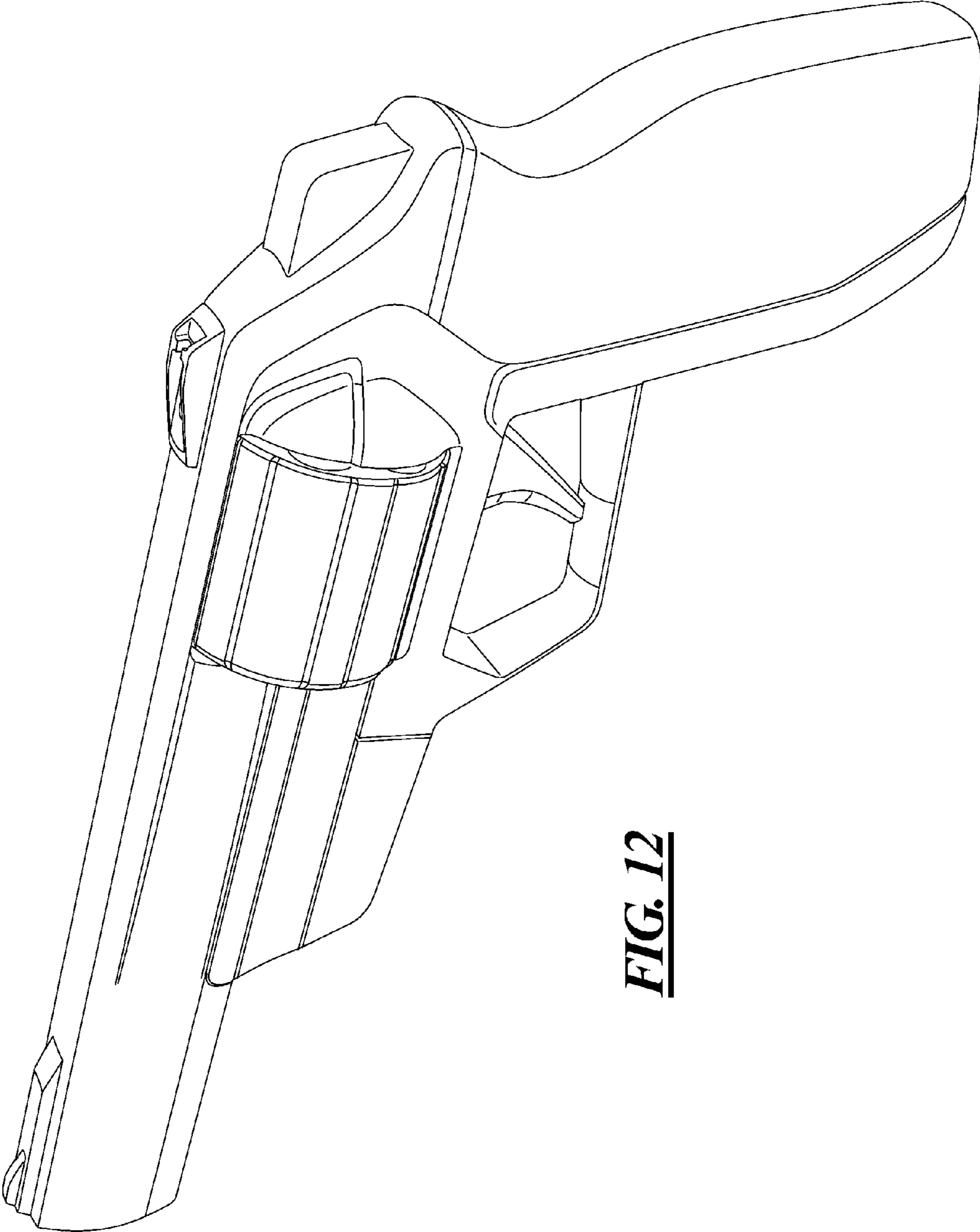


**FIG. 10**



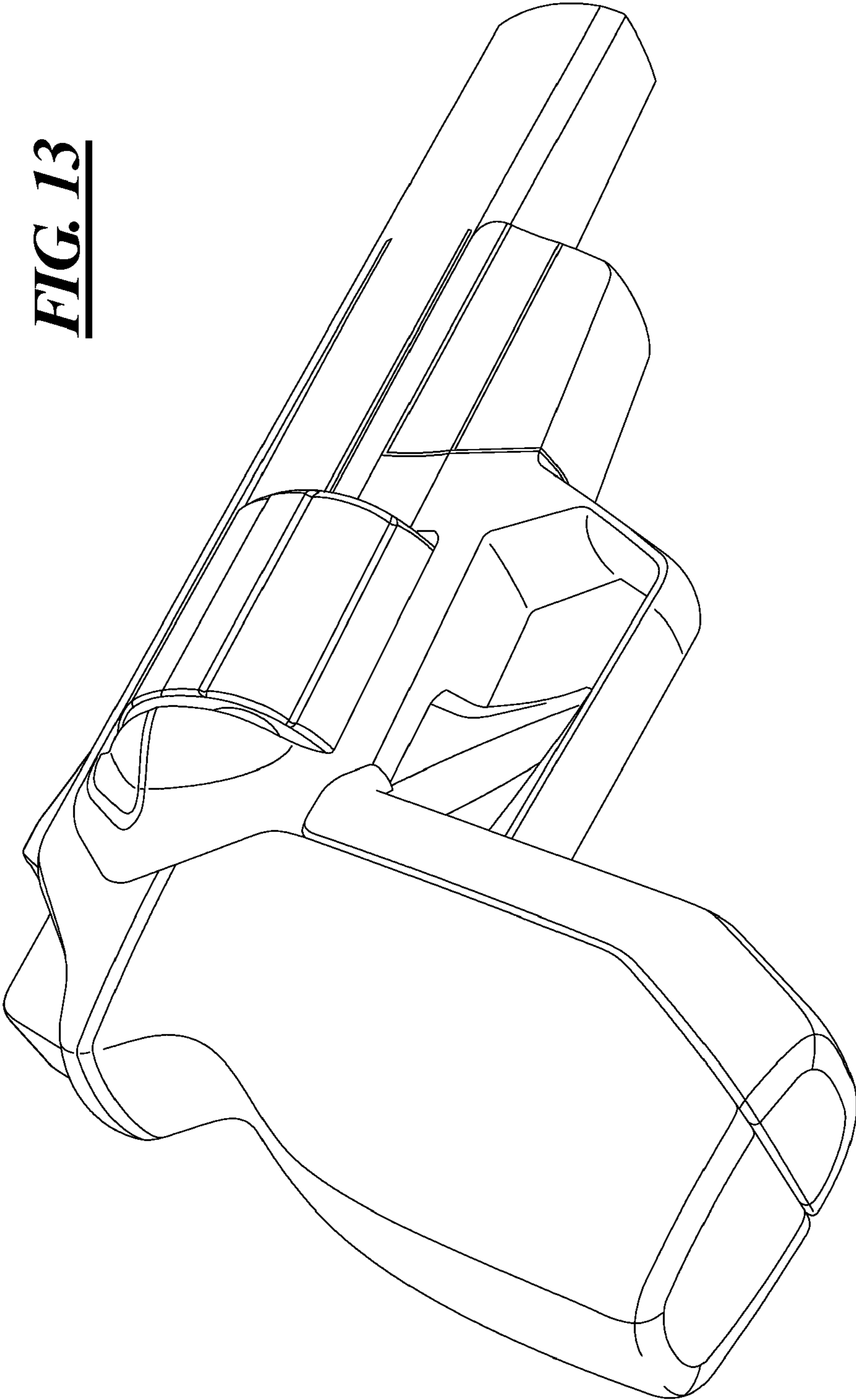


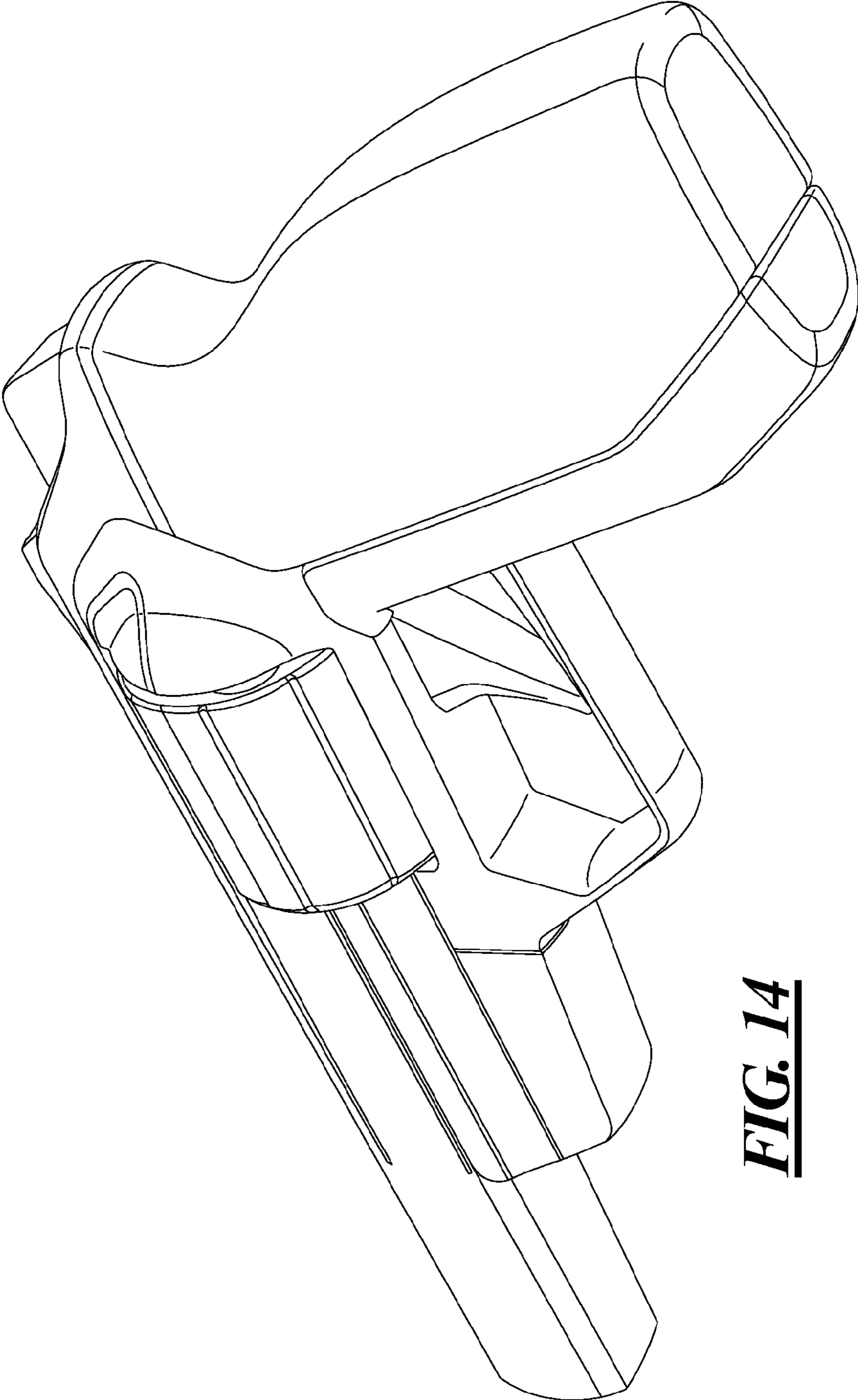
**FIG. 11**



**FIG. 12**

**FIG. 13**





**FIG. 14**