



US00D637248S

(12) **United States Design Patent**  
**Levin et al.**

(10) **Patent No.:** **US D637,248 S**

(45) **Date of Patent:** **\*\* May 3, 2011**

(54) **BALL THROWER**

(75) Inventors: **Mark Levin**, Papillion, NE (US);  
**Gwendolyn Newsome**, Omaha, NE  
(US); **Ryan P. Davidson**, Evansville, IN  
(US)

(73) Assignee: **Sergeant's Pet Care Products, Inc.**,  
Omaha, NE (US)

(\*\*) Term: **14 Years**

(21) Appl. No.: **29/357,030**

(22) Filed: **Mar. 5, 2010**  
(Under 37 CFR 1.47)

(51) **LOC (9) Cl.** ..... **21-02**

(52) **U.S. Cl.** ..... **D21/722; D30/160**

(58) **Field of Classification Search** ..... D21/722-724;  
473/505, 509; 124/5, 41.1, 3.12, 3.3, 336;  
D30/160; 119/702, 707, 709, 710, 711  
See application file for complete search history.

(56) **References Cited**

U.S. PATENT DOCUMENTS

3,841,292	A *	10/1974	Hoffman	.....	124/5
4,974,574	A	12/1990	Cutlip		
D424,640	S *	5/2000	Oblack	.....	D21/722
6,076,829	A *	6/2000	Oblack	.....	124/5
6,477,745	B2 *	11/2002	Strebl	.....	24/3.12
D484,938	S *	1/2004	Tu	.....	D21/789
D554,717	S *	11/2007	McKinnell	.....	D21/722
7,686,001	B2 *	3/2010	Fitt	.....	124/5
2005/0263962	A1	12/2005	Roh et al.		

OTHER PUBLICATIONS

Ballistic Dog Ball Blaster, Litterboy.com, dated Dec. 28, 2009 (1 page).

\* cited by examiner

Primary Examiner — Mitchell I Siegel

(74) *Attorney, Agent, or Firm* — Polsinelli Shughart PC

(57) **CLAIM**

The ornamental design for a ball thrower, as shown and described.

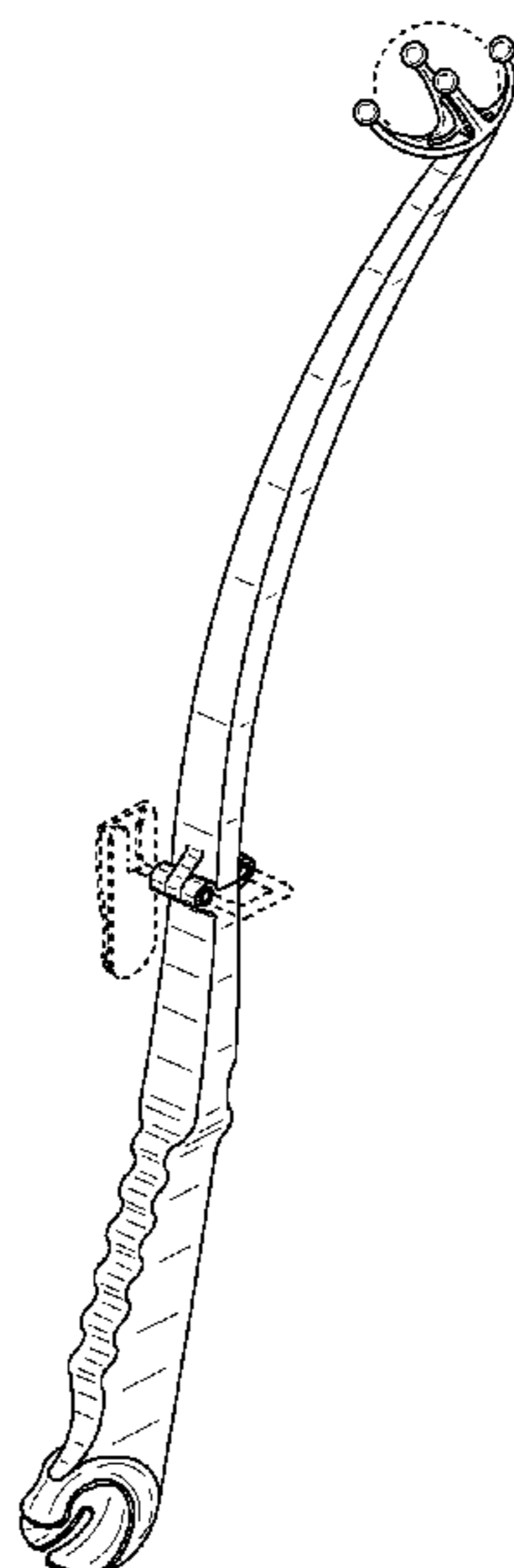
**DESCRIPTION**

FIG. 1 is a perspective view of the ball thrower having a throwing end for a ball and a reserve end for another ball; FIG. 2 is a front view of the ball thrower; FIG. 3 is a rear view of the ball thrower; FIG. 4 is a first side view of the ball thrower; FIG. 5 is a second side view of the ball thrower; FIG. 6 is a view of the throwing end of the ball thrower; FIG. 7 is a view of the reserve end of the ball thrower; and FIG. 8 is a view of the ball thrower in a collapsed configuration.

FIG. 9 is a perspective view of a second embodiment of the ball thrower having a throwing end for a ball and a reserve end for another ball; FIG. 10 is a front view of the second embodiment of the ball thrower; FIG. 11 is a rear view of the second embodiment of the ball thrower; FIG. 12 is a first side view of the second embodiment of the ball thrower; FIG. 13 is a second side view of the second embodiment of the ball thrower; FIG. 14 is a view of the throwing end of the second embodiment of the ball thrower; FIG. 15 is a view of the reserve end of the second embodiment of the ball thrower; and, FIG. 16 is a view of the ball thrower of the second embodiment in a collapsed configuration.

The broken lines shown are for illustrative purposes only and form no part of the claimed design.

**1 Claim, 4 Drawing Sheets**



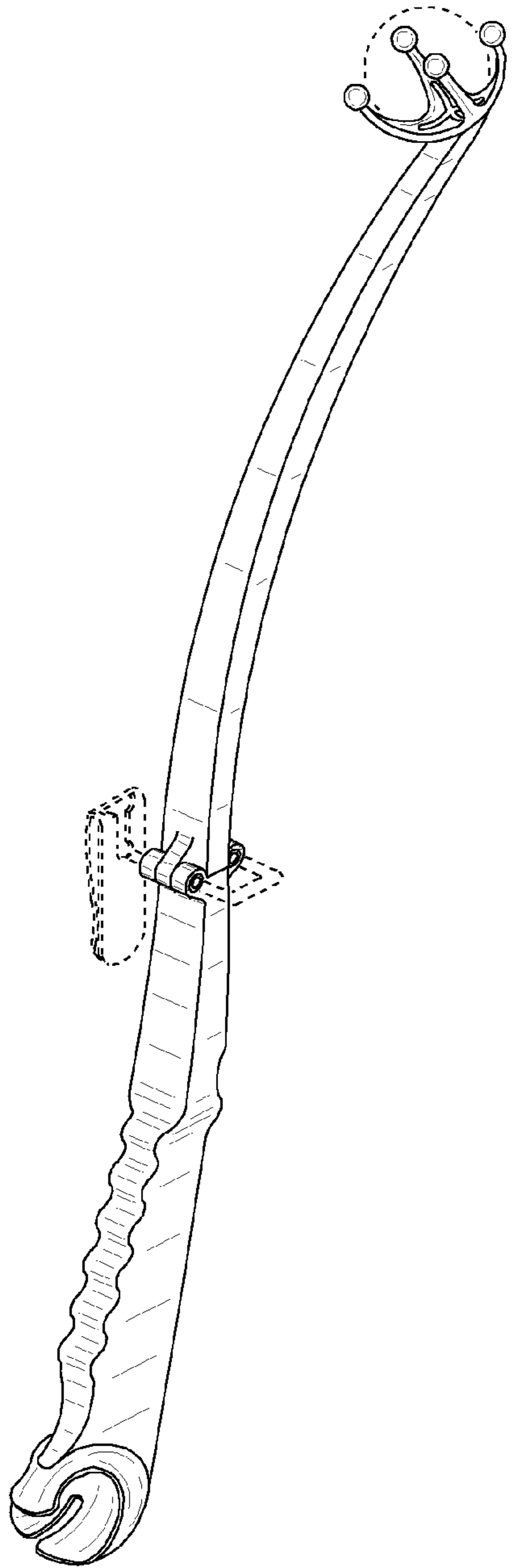


FIG. 1

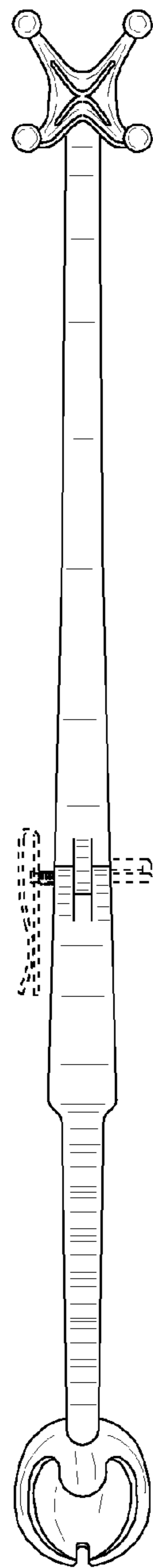


FIG. 2

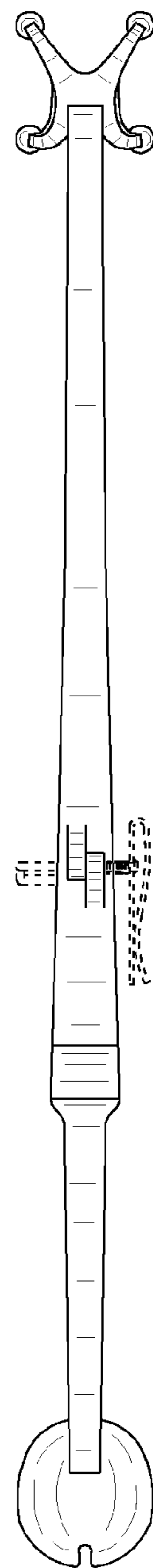


FIG. 3

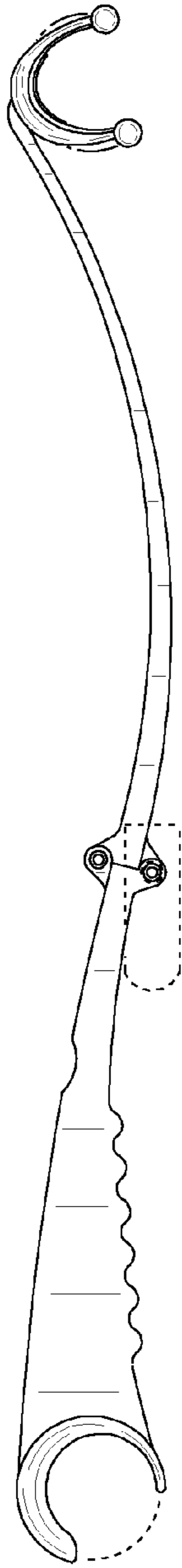


FIG. 4

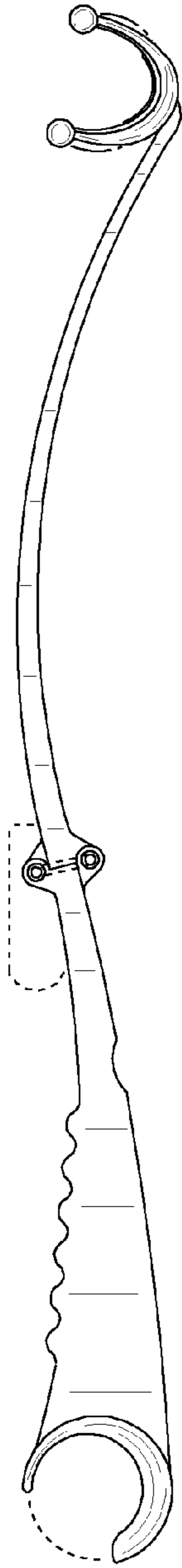


FIG. 5

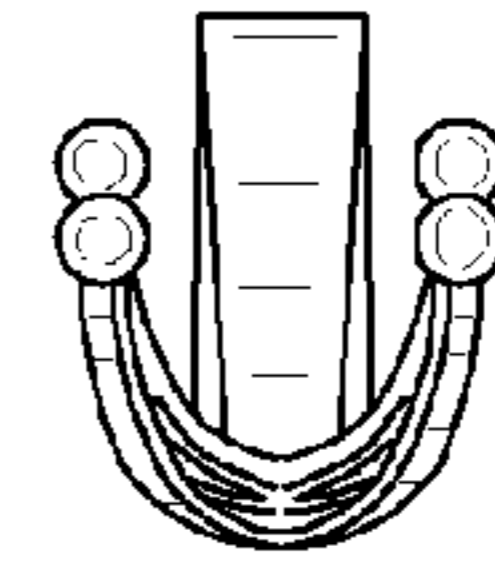


FIG. 6

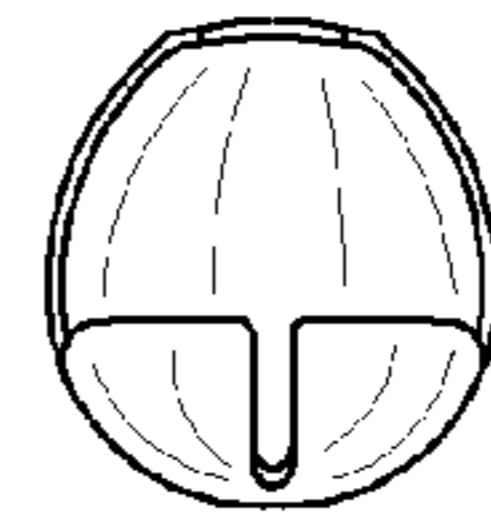


FIG. 7

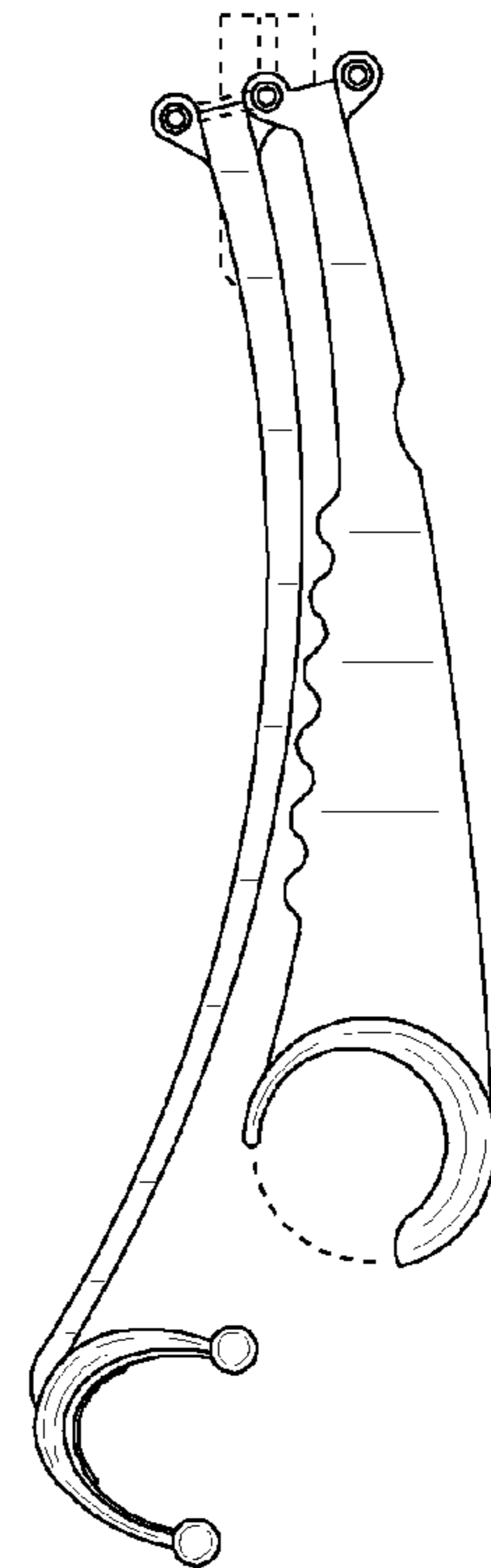


FIG. 8

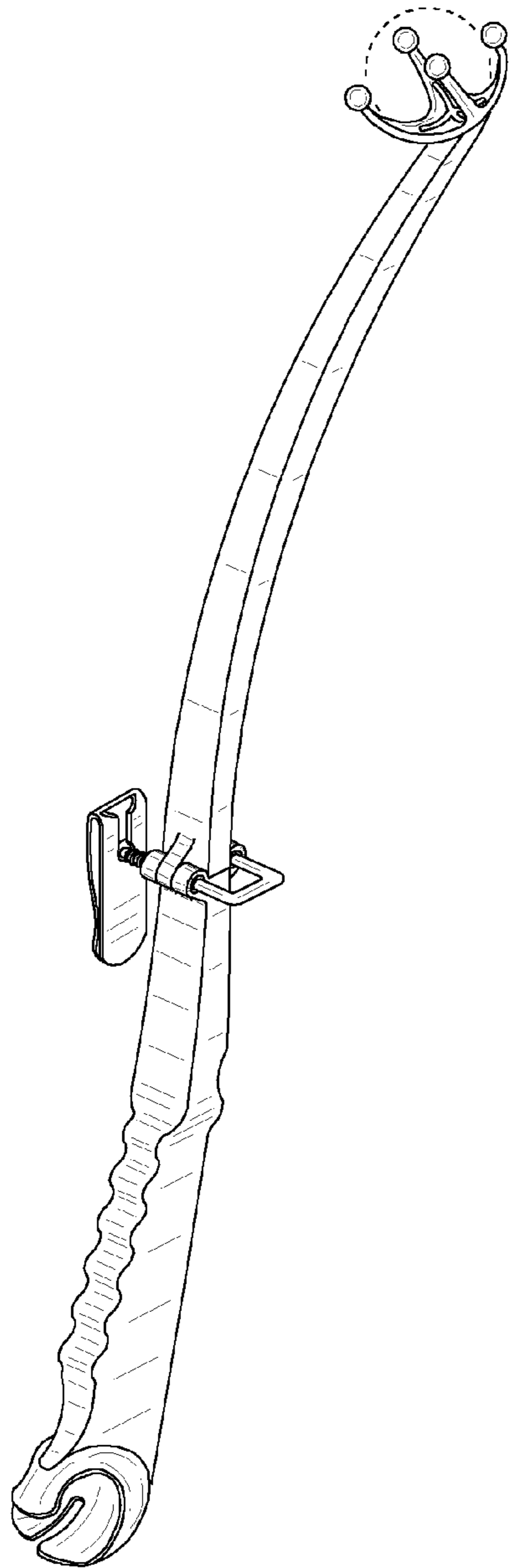


FIG. 9

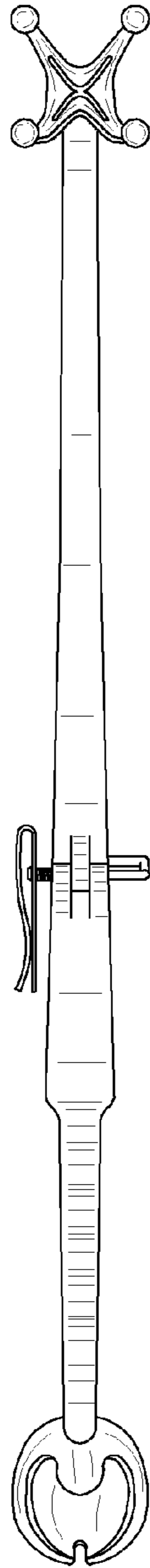


FIG. 10

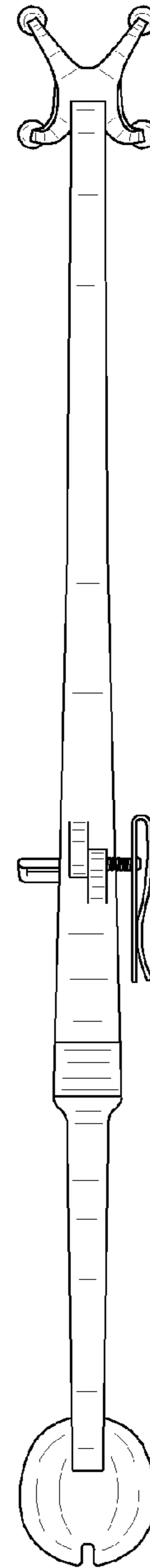


FIG. 11

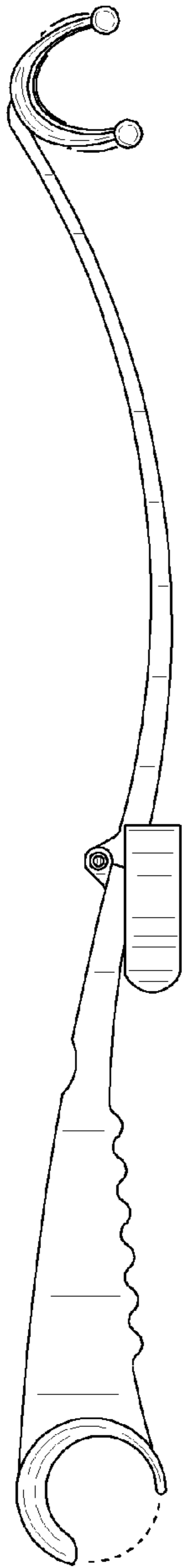


FIG. 12

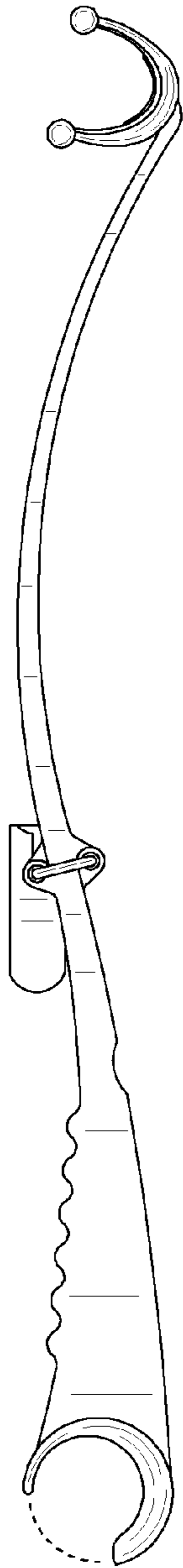


FIG. 13

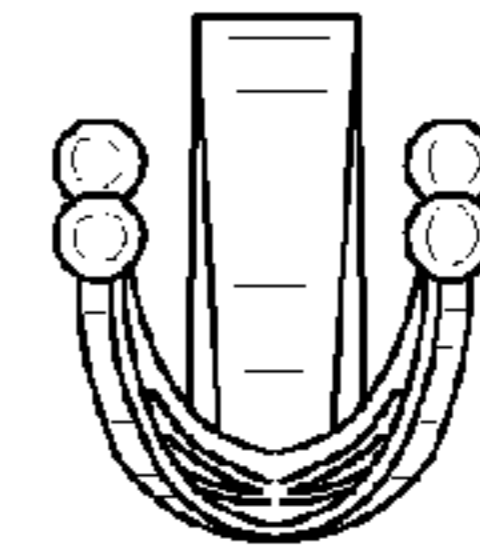


FIG. 14

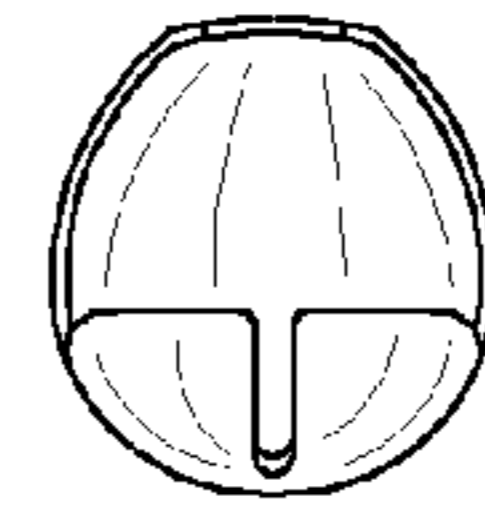


FIG. 15

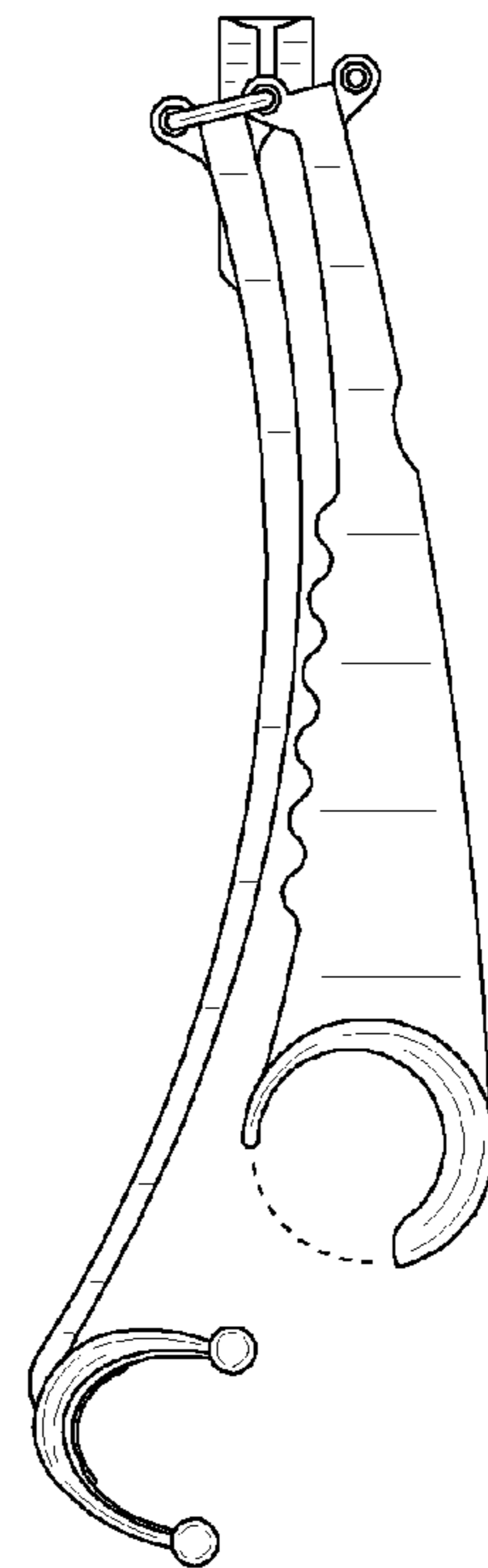


FIG. 16