



US00D637246S

(12) **United States Design Patent**  
**James**

(10) **Patent No.:** **US D637,246 S**

(45) **Date of Patent:** **\*\* May 3, 2011**

(54) **MULTI-ANGLE INCLINE DUMBBELL  
BENCH PRESS**

(75) Inventor: **Robert William James**, Cocoa, FL (US)

(73) Assignee: **Robert W. James**, Cocoa, FL (US)

(\*\*) Term: **14 Years**

(21) Appl. No.: **29/370,606**

(22) Filed: **Aug. 11, 2010**

**Related U.S. Application Data**

(63) Continuation-in-part of application No. 29/316,212,  
filed on Sep. 3, 2009, now abandoned.

(51) **LOC (9) Cl.** ..... **21-02**

(52) **U.S. Cl.** ..... **D21/690; D21/676**

(58) **Field of Classification Search** ..... D21/662,  
D21/673-676, 679, 681, 686, 690-691, 694;  
482/92, 94, 97, 100, 104, 106, 108, 111,  
482/135, 138, 140, 144-145, 148

See application file for complete search history.

(56) **References Cited**

U.S. PATENT DOCUMENTS

5,725,460	A *	3/1998	Marsh	482/104
5,971,898	A *	10/1999	Schoolfield	482/104
D438,578	S *	3/2001	Kuo	D21/690
6,685,601	B1 *	2/2004	Knapp	482/104
7,285,077	B1 *	10/2007	Marx	482/104
D578,173	S *	10/2008	James	D21/690
7,736,286	B2 *	6/2010	Panaiotov	482/142
2009/0286658	A1 *	11/2009	James	482/104

\* cited by examiner

*Primary Examiner* — Susan E Krakower

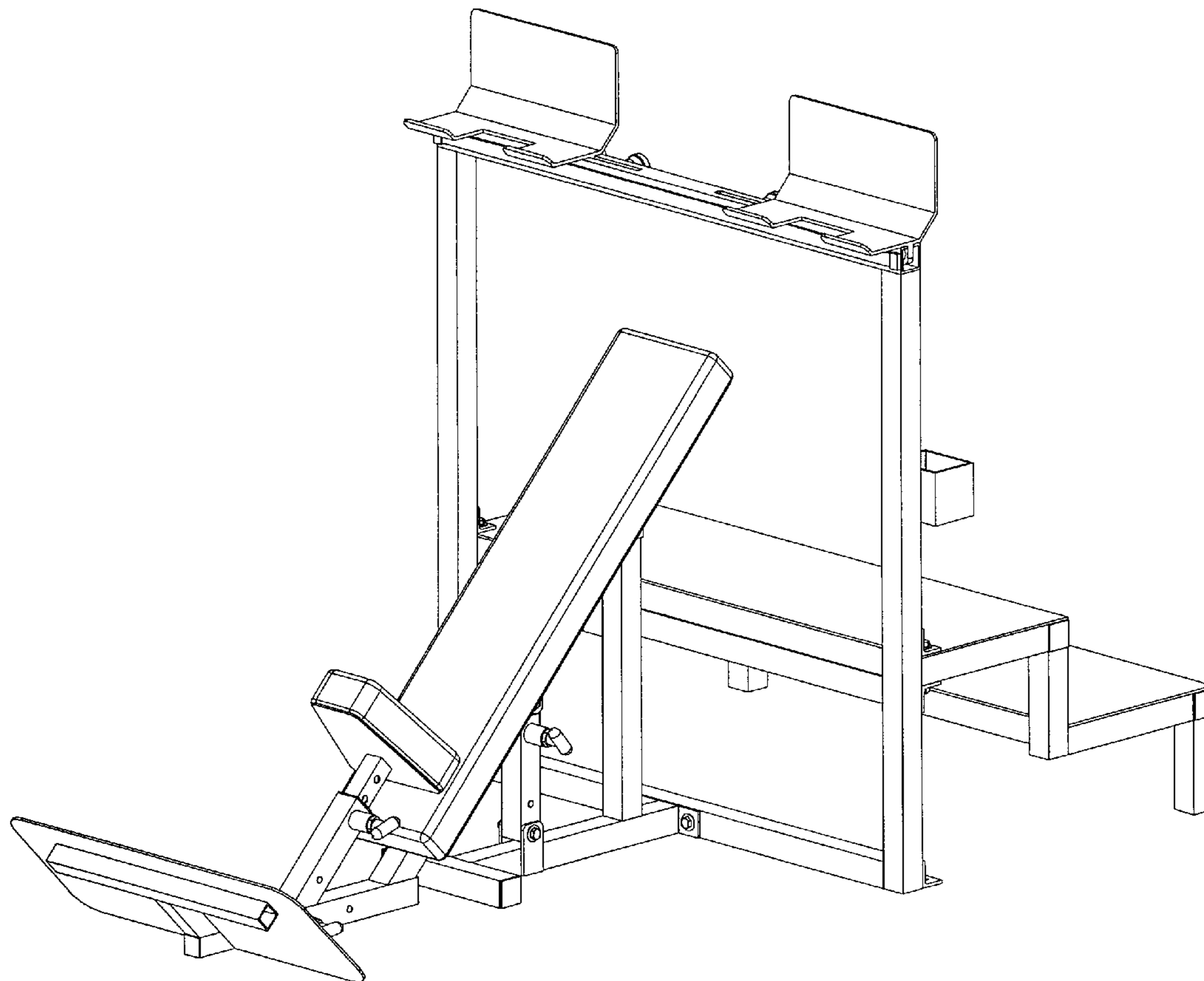
(57) **CLAIM**

I claim the ornamental design for the multi-angle incline dumbbell bench press, as shown and described.

**DESCRIPTION**

FIG. 1 is a front elevational view of the multi-angle incline dumbbell bench press showing my new design; FIG. 2 is a rear elevational view thereof; FIG. 3 is a right side elevational view thereof; FIG. 4 is a top plan view thereof; FIG. 5 is a bottom plan view thereof; FIG. 6 is a front perspective view thereof; and, FIG. 7 is a rear perspective view thereof.

**1 Claim, 7 Drawing Sheets**



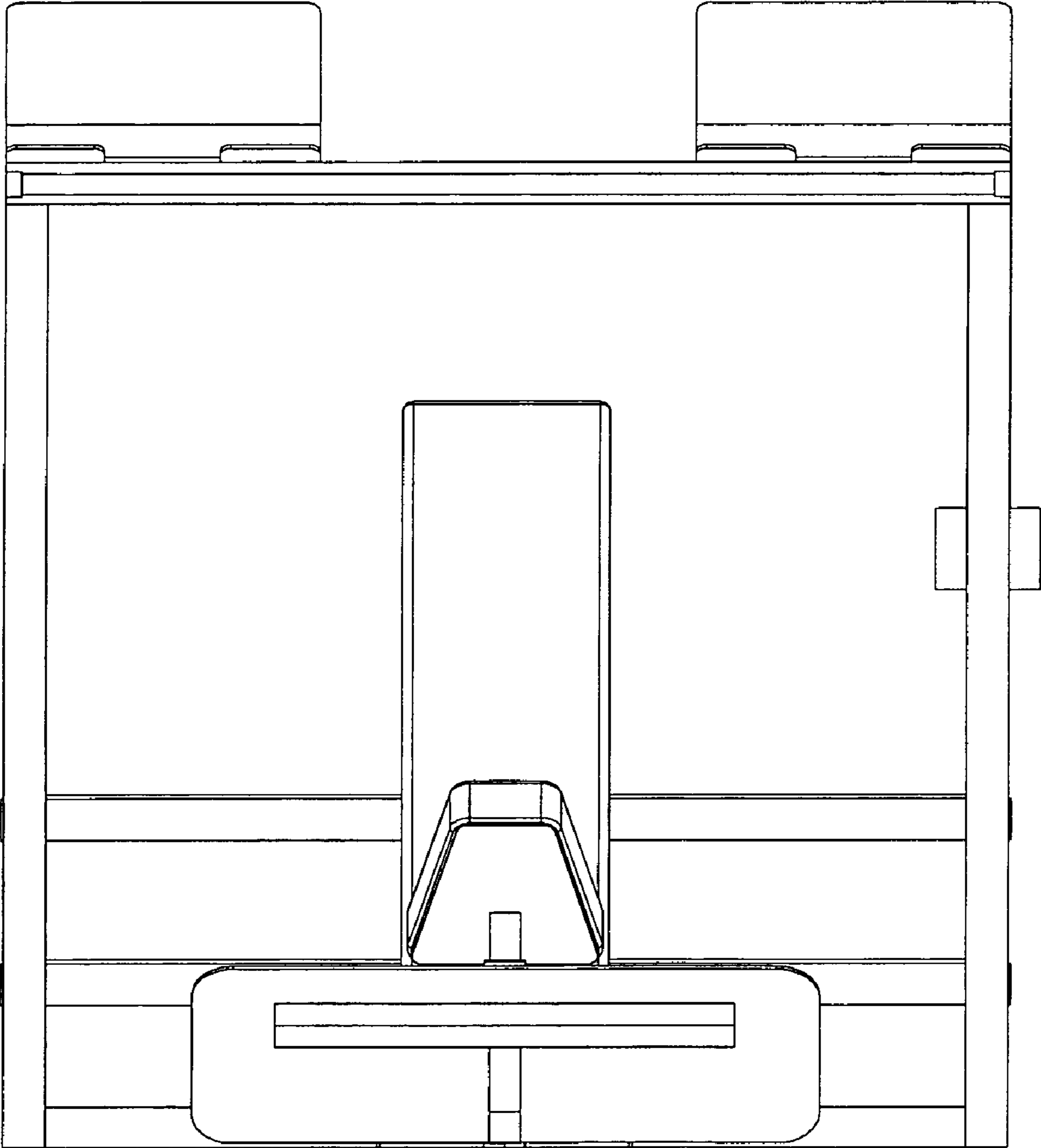


Fig. 1

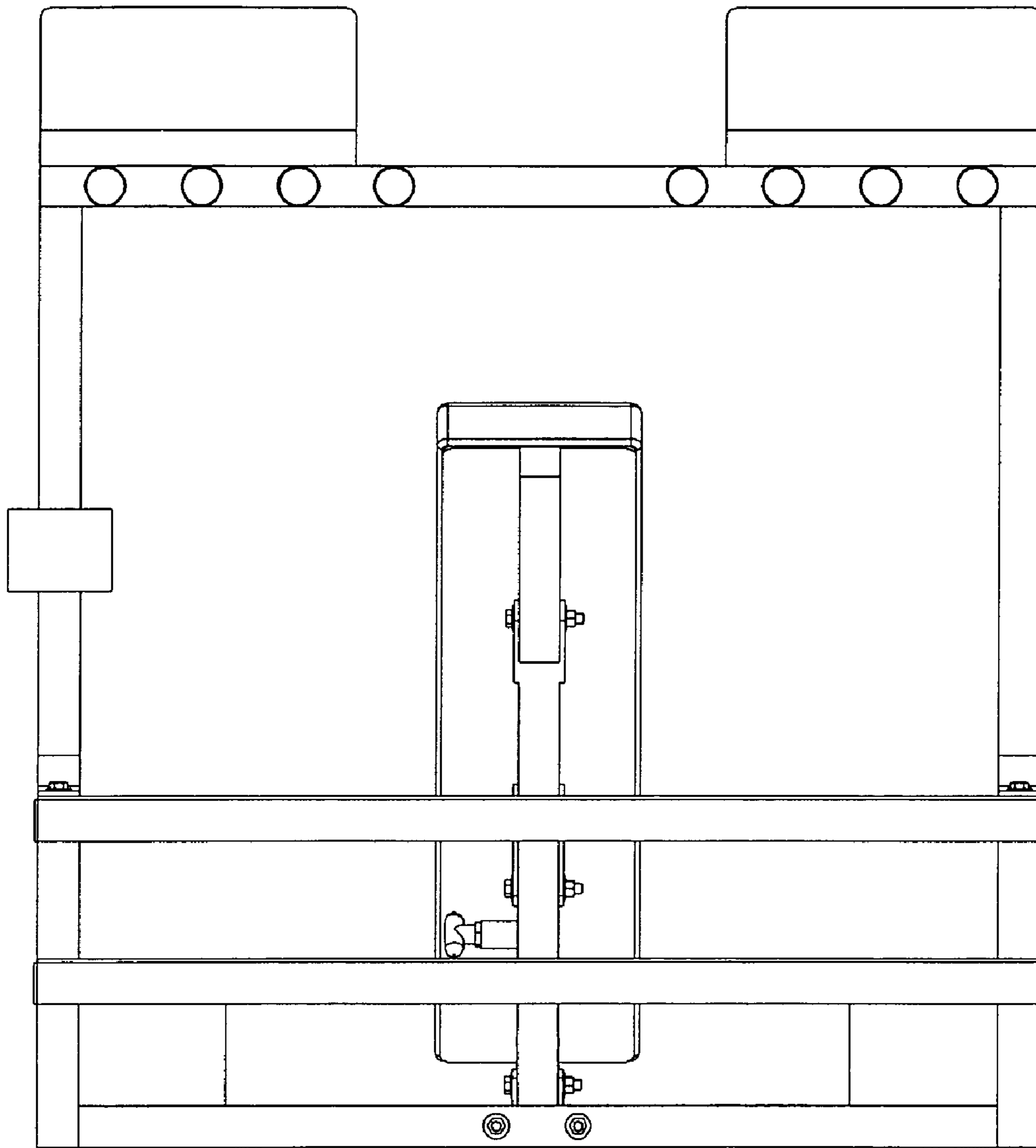


Fig.2

Fig.3

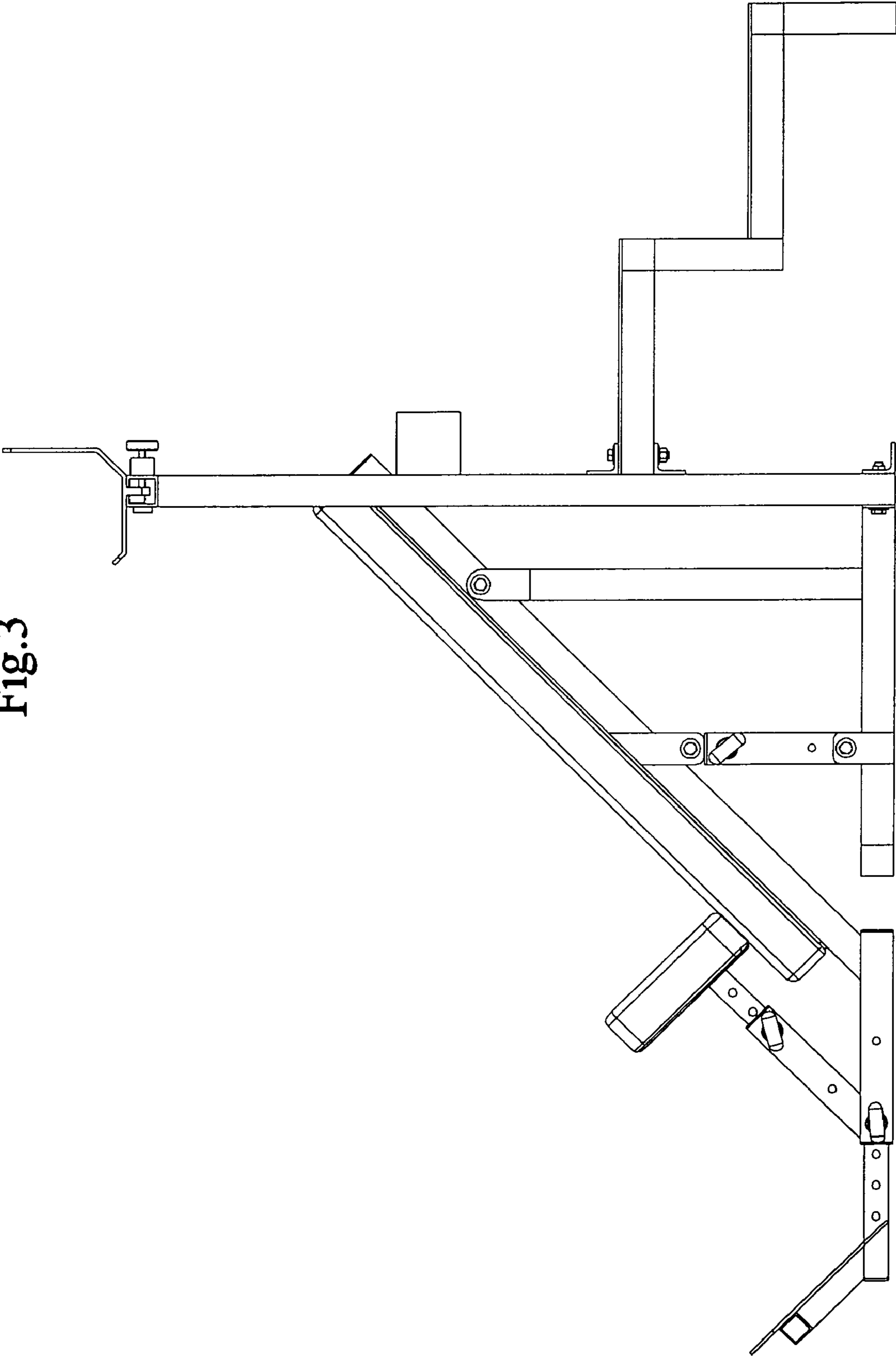
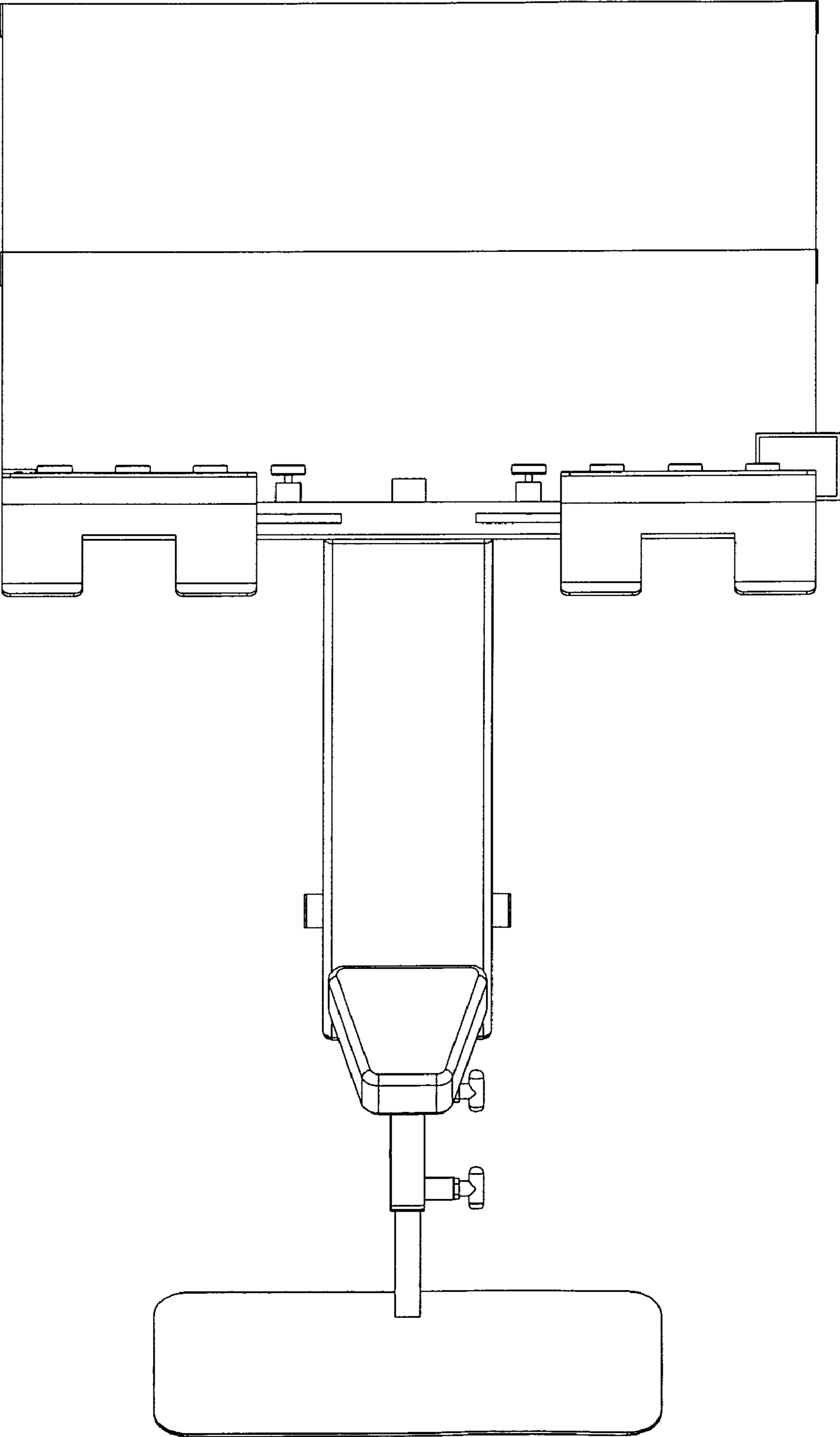


Fig.4



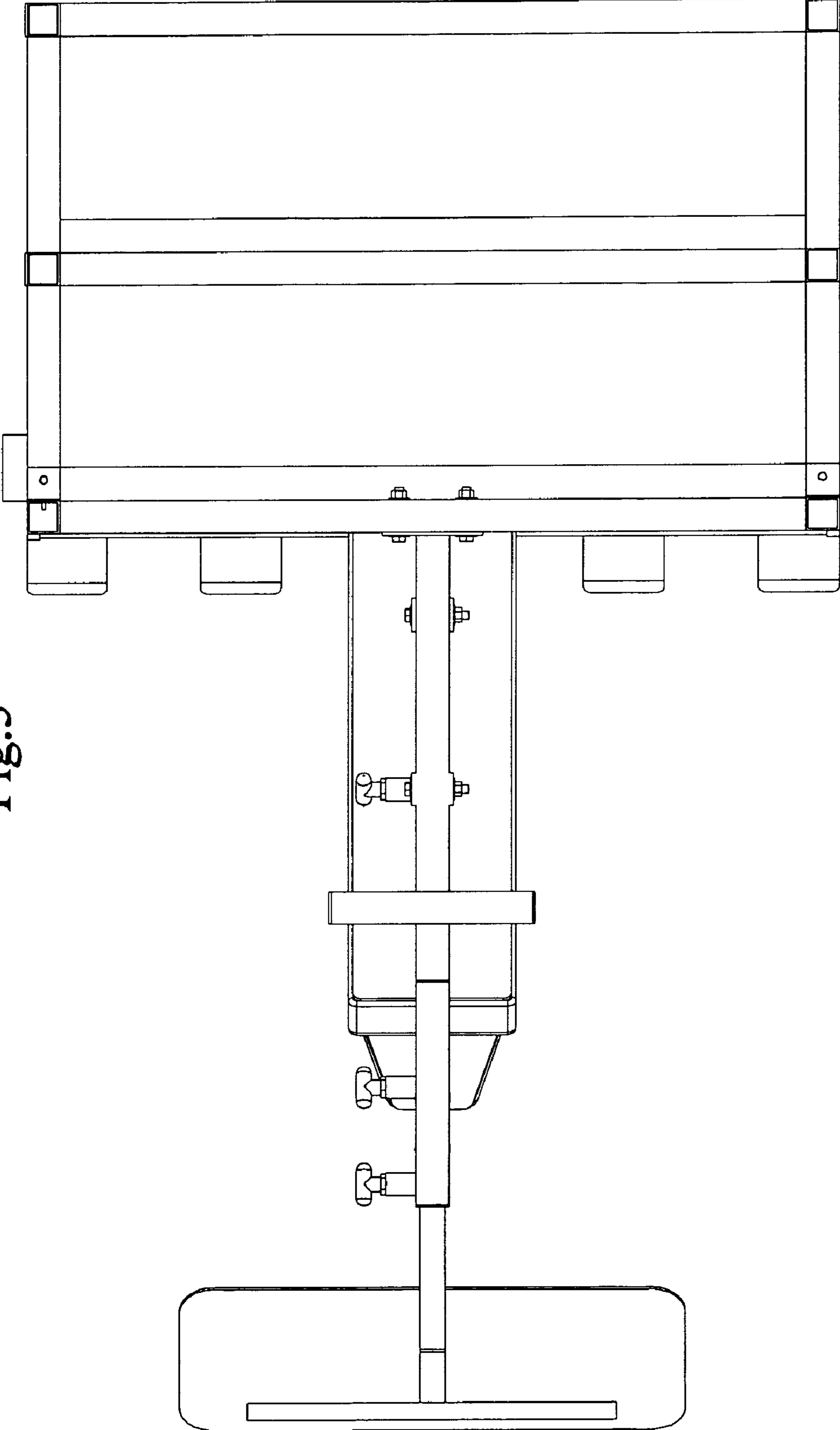


Fig. 5

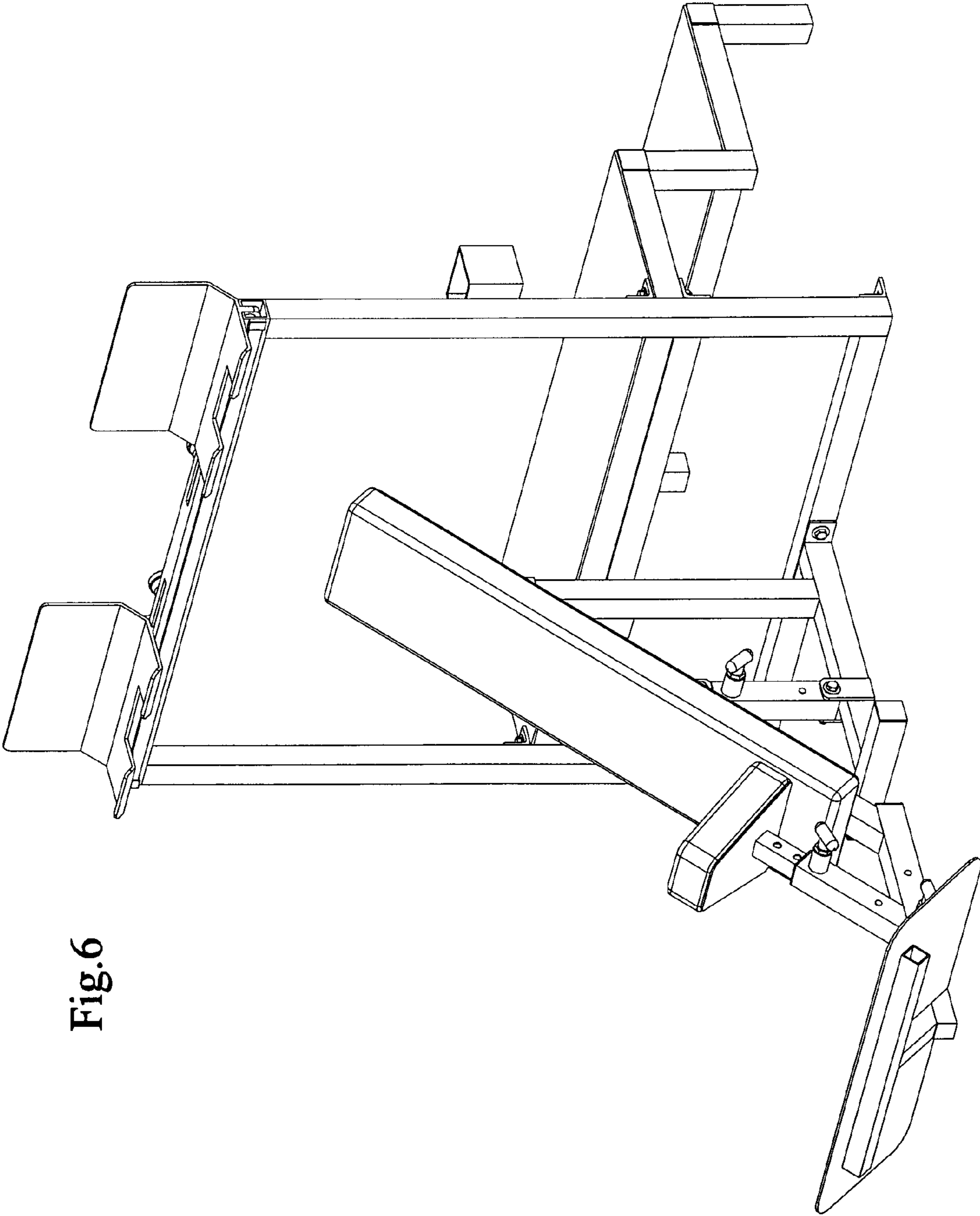


Fig.6



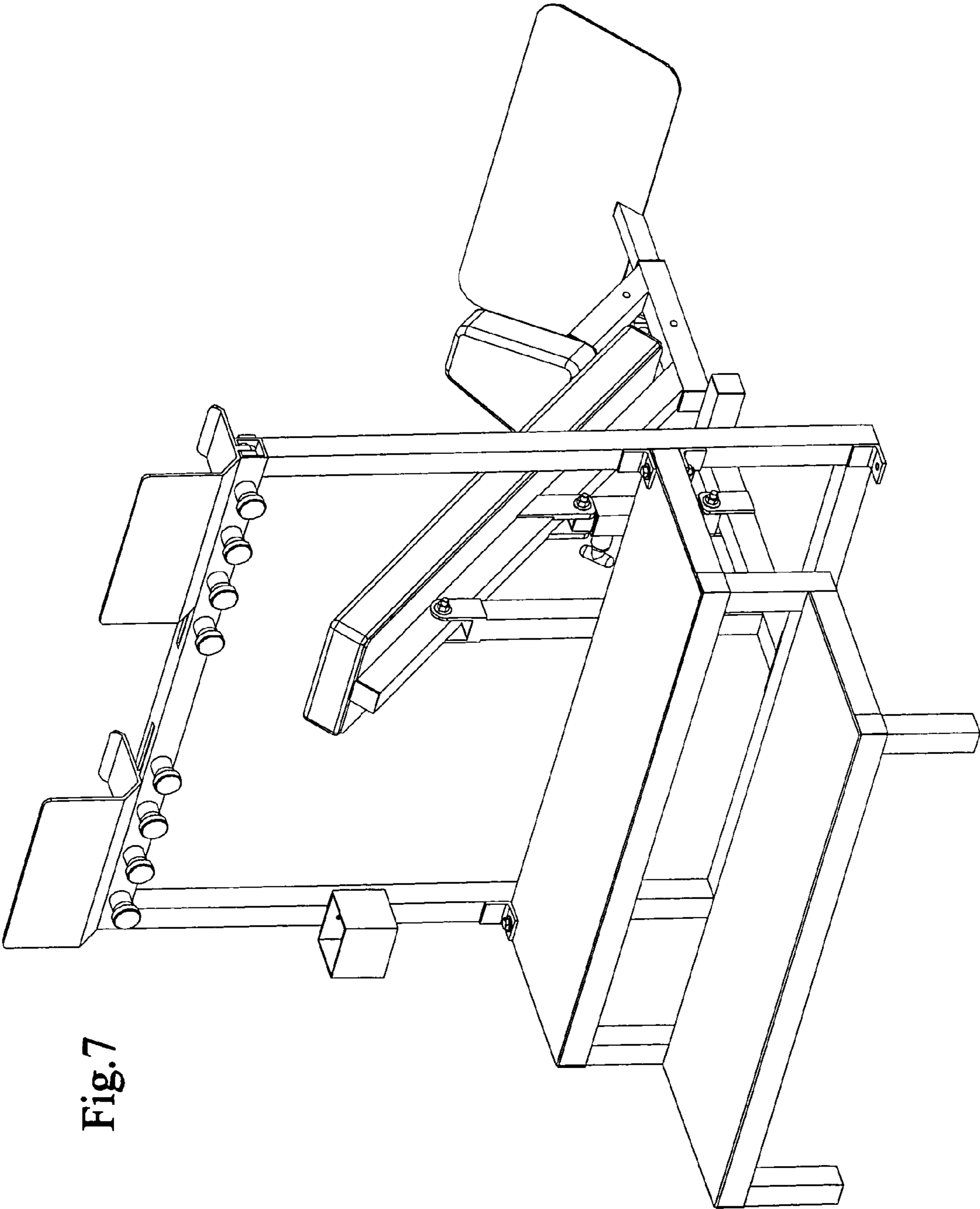


Fig. 7