



US00D637245S

(12) **United States Design Patent**
Huber et al.

(10) **Patent No.:** **US D637,245 S**

(45) **Date of Patent:** **** May 3, 2011**

(54) **STATIONARY EXERCISE BICYCLE**

(75) Inventors: **Aaron D. Huber**, Louisville, OH (US);
Richard A. Huber, Washingtonville, OH (US);
Julius Toth, Akron, OH (US);
Richard A. Suarez, Massillon, OH (US)

(73) Assignee: **Cordio, LLC**, Massillon, OH (US)

(**) Term: **14 Years**

(21) Appl. No.: **29/376,706**

(22) Filed: **Oct. 11, 2010**

Related U.S. Application Data

(62) Division of application No. 29/352,258, filed on Dec. 18, 2009, now Pat. No. Des. 625,370.

(51) **LOC (9) Cl.** **21-02**

(52) **U.S. Cl.** **D21/667; D21/666**

(58) **Field of Classification Search** D21/662-670,
D21/694-695; 482/51, 77, 121, 123, 126,
482/130, 132, 140-142, 907; D6/352, 366;
297/452.41, 217.1, 440.1; 434/258; 472/95,
472/134

See application file for complete search history.

(56) **References Cited**

U.S. PATENT DOCUMENTS

4,126,326	A	11/1978	Phillips	
D308,085	S *	5/1990	Alberta	D21/666
D320,826	S *	10/1991	Hildebrandt et al.	D21/666
D330,237	S	10/1992	Miller	
D355,942	S *	2/1995	Wu	D21/666
D362,699	S	9/1995	Heaton et al.	
5,580,337	A *	12/1996	Habing et al.	482/57
5,690,389	A	11/1997	Ekman et al.	
5,833,587	A	11/1998	Strong et al.	
D403,034	S	12/1998	Moon et al.	
D410,712	S	6/1999	Giger et al.	

D418,893	S	1/2000	Peng	
6,070,943	A	6/2000	Guery-Strahm	
6,361,479	B1 *	3/2002	Hildebrandt et al.	482/72
6,375,601	B1	4/2002	Johnson	
6,447,070	B1	9/2002	Ekman et al.	
6,461,284	B1	10/2002	Francavilla	
6,478,721	B1	11/2002	Hunter	
6,520,578	B1	2/2003	Jospa et al.	
D471,025	S	3/2003	Chiu	
D471,371	S	3/2003	Chiu	
6,547,706	B1	4/2003	Chek	

(Continued)

FOREIGN PATENT DOCUMENTS

GB 2226769 7/1990

OTHER PUBLICATIONS

<http://www.lastchancefitness.com/sdsf-b803.html>; Stationary Bikes; Magnetic Upright Stationary Bike—Last Chance Fitness & Healthy Living; document is undated but printed from the pertinent website on May 1, 2009.

(Continued)

Primary Examiner — Susan E Krakower

(74) *Attorney, Agent, or Firm* — Sand & Sebolt

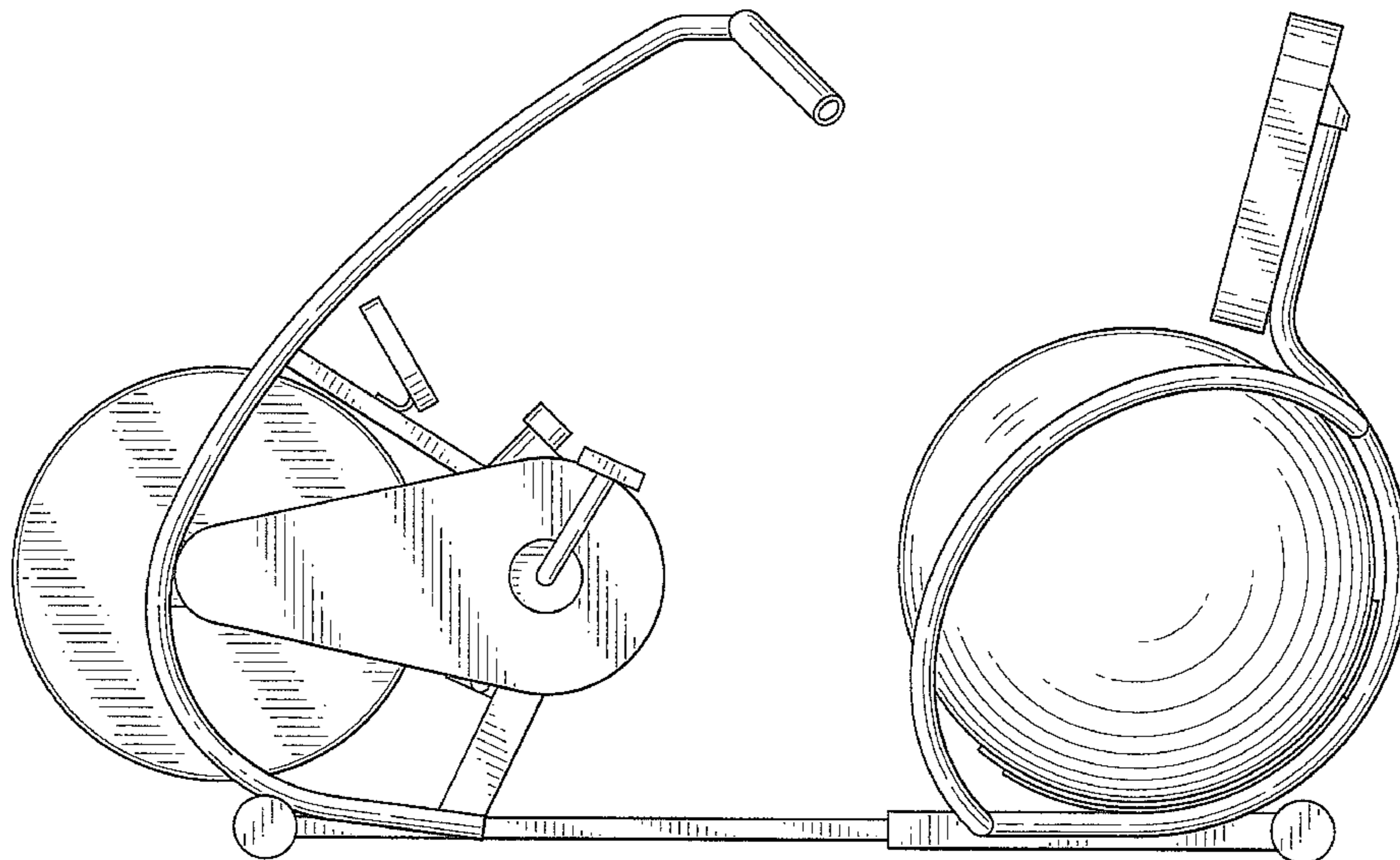
(57) **CLAIM**

The ornamental design for a stationary exercise bicycle, as shown and described.

DESCRIPTION

FIG. 1 is a left side elevational view of the stationary exercise bicycle of the present invention;
FIG. 2 is a right side elevational view thereof;
FIG. 3 is a rear elevational view thereof;
FIG. 4 is a front elevational view thereof;
FIG. 5 is a top plan view thereof; and,
FIG. 6 is a bottom plan view thereof.

1 Claim, 6 Drawing Sheets



U.S. PATENT DOCUMENTS

D476,705	S	7/2003	Dillard	
6,616,238	B1	9/2003	Guery-Strahm	
6,689,026	B2	2/2004	Almada	
6,746,372	B2	6/2004	Hsu	
6,832,817	B1	12/2004	Chiu	
D503,553	S	4/2005	Chiu	
D503,756	S	4/2005	Chiang	
D509,548	S	9/2005	Heitzman et al.	
D513,421	S	1/2006	Nagano	
D521,084	S	5/2006	Huang	
7,044,558	B2	5/2006	Chiu	
7,060,015	B2	6/2006	Acher	
D528,172	S	9/2006	Bingham, Jr. et al.	
7,118,517	B1	10/2006	Hale	
7,141,011	B2	11/2006	Williams et al.	
D536,542	S	2/2007	Chiu	
D552,696	S	10/2007	Hallar	
7,341,548	B2	3/2008	Heitzman et al.	
7,344,487	B2	3/2008	Carter et al.	
D590,033	S *	4/2009	Wang et al.	D21/694
D610,635	S	2/2010	Hildebrandt et al.	
7,674,216	B1	3/2010	Bolling	
7,713,180	B2	5/2010	Wickens et al.	
D625,370	S *	10/2010	Huber et al.	D21/662
2005/0043143	A1 *	2/2005	Chuang	482/51
2005/0107229	A1	5/2005	Wickens	
2006/0040808	A1	2/2006	Riazi	
2006/0063653	A1	3/2006	Wickens	
2007/0117682	A1	5/2007	Deola	
2009/0098520	A1	4/2009	Wilson	
2009/0325770	A1	12/2009	Baschnagel	

OTHER PUBLICATIONS

<http://www.lastchancefitness.com/be185p-3.html>; Stationary Bikes; Pursuit E 25 Stationary Bike—Last Chance Fitness & Healthy Living; document is undated but printed from the pertinent website on May 1, 2009.

http://www.nordictrack.com/webapp/wcs/stores/servlet/Product2_12401_10301_96153_-1_; Equipment>>Exercise Bikes>>C3 si; document is undated but printed from the pertinent website on May 1, 2009.

<http://www.lastchancefitness.com/sdsfrb-801.html>; Deluxe Sunny Recumbent Stationary Bike—Last Chance Fitness & Healthy Liv-

ing; document is undated but printed from the pertinent website on May 1, 2009.

<http://www.amazon.com/Stamina-Magnetic-Resistance-Recumbent...>; Amazon.com: Stamina Magnetic Resistance Recumbent Bike; document is undated but printed from the pertinent website on Apr. 29, 2008.

<http://www.amazon.com/LifeSpan-Fitness-R3-Recumbent-Bike/dp/...>; Amazon.com: LifeSpan Fitness R3 Recumbent Bike; document is undated but printed from the pertinent website on Apr. 29, 2008.

<http://kozy.com/itemdetails.cfm?ID=5157>; Schwinn 213 Recumbent Exercise Bike—Kozy's bike shop; document is undated but printed from the pertinent website on Apr. 29, 2008.

<http://www.dickssportinggoods.com/largeImage/index.jsp?LargeImage>; document is undated but printed from the pertinent website on Apr. 29, 2008.

<http://www.walmart.com/catalog/detail.gsp?image=http://i.walmart...>; document is undated but printed from the pertinent website on Apr. 29, 2008.

<http://www.amazon.com/Schwinn-230-Recumbent-Exercise-Bike/dp/...>; Amazon.com; Schwinn 230 Recumbent Exercise Bike; document is undated but printed from the pertinent website on Apr. 29, 2008.

<http://www.amazon.com/gp/product/B000MXL5SQ>; Schwinn 231 Recumbent Exercise Bike; document is undated but printed from the pertinent website on Apr. 29, 2008.

http://www.shapeupshop.com/fitness/abs/versa_core.htm; Versa Core Exercise Ball & Base Trainer; document is undated but printed from the pertinent website on Mar. 27, 2008.

<http://www.nextag.com/Deluxe-Bal-Chair-582241015/prices-html?...>; Deluxe Ball Chair; document is undated but printed from the pertinent website on Mar. 27, 2008.

<http://www.nextag.com/Ball-Dynamics-FitBALL-Chair-545633419/...>; BallDynamics FitBALL Chair w/pump and 55cm silver ball; document is undated but printed from the pertinent website on Mar. 27, 2008.

<http://www.amazon.com/dp/B0010XIFNU?smid=A39CQND6C27>; Zenathletics ZenZu Exercise Ball Chair; document is undated but printed from the pertinent website on Mar. 27, 2008.

* cited by examiner

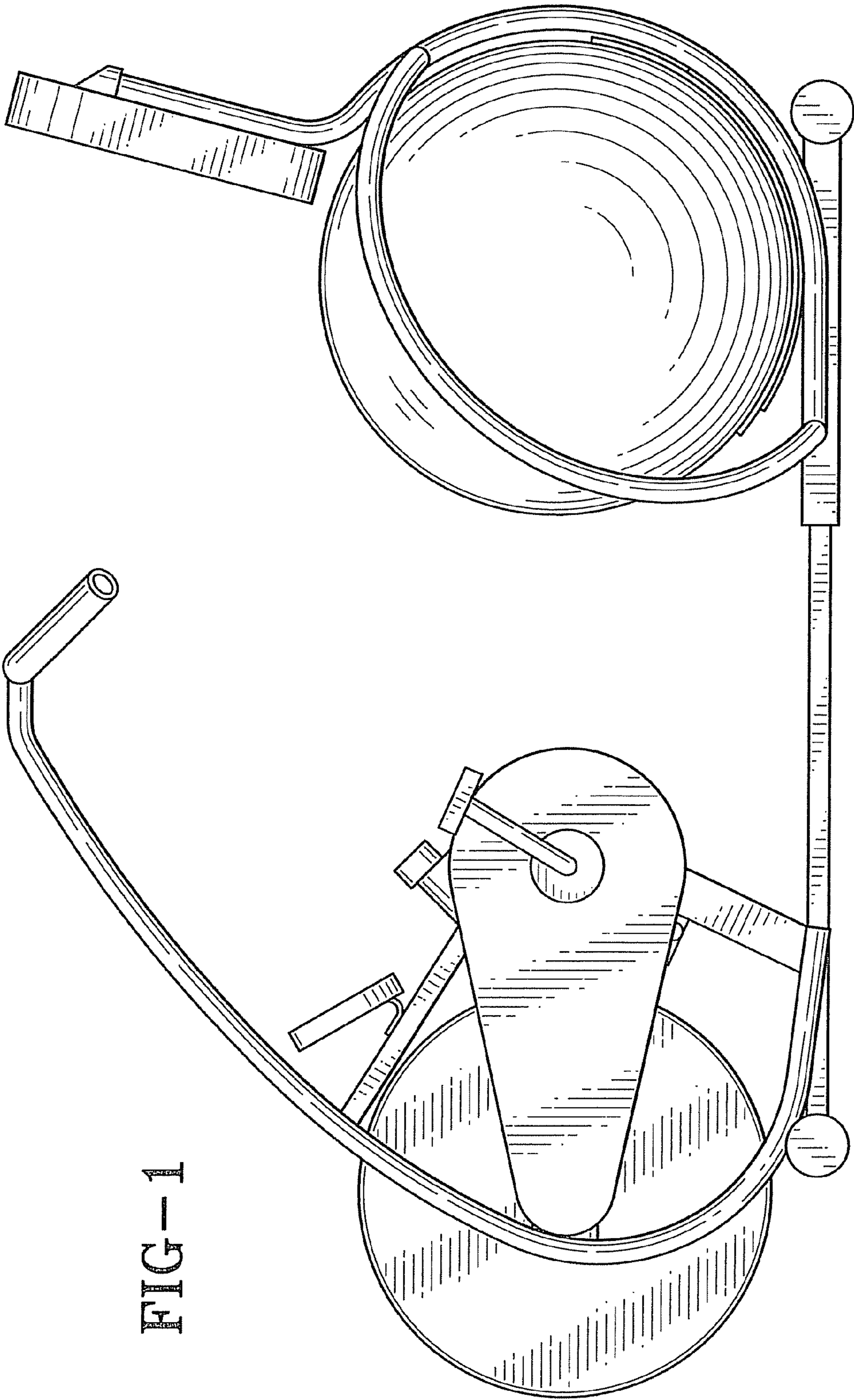
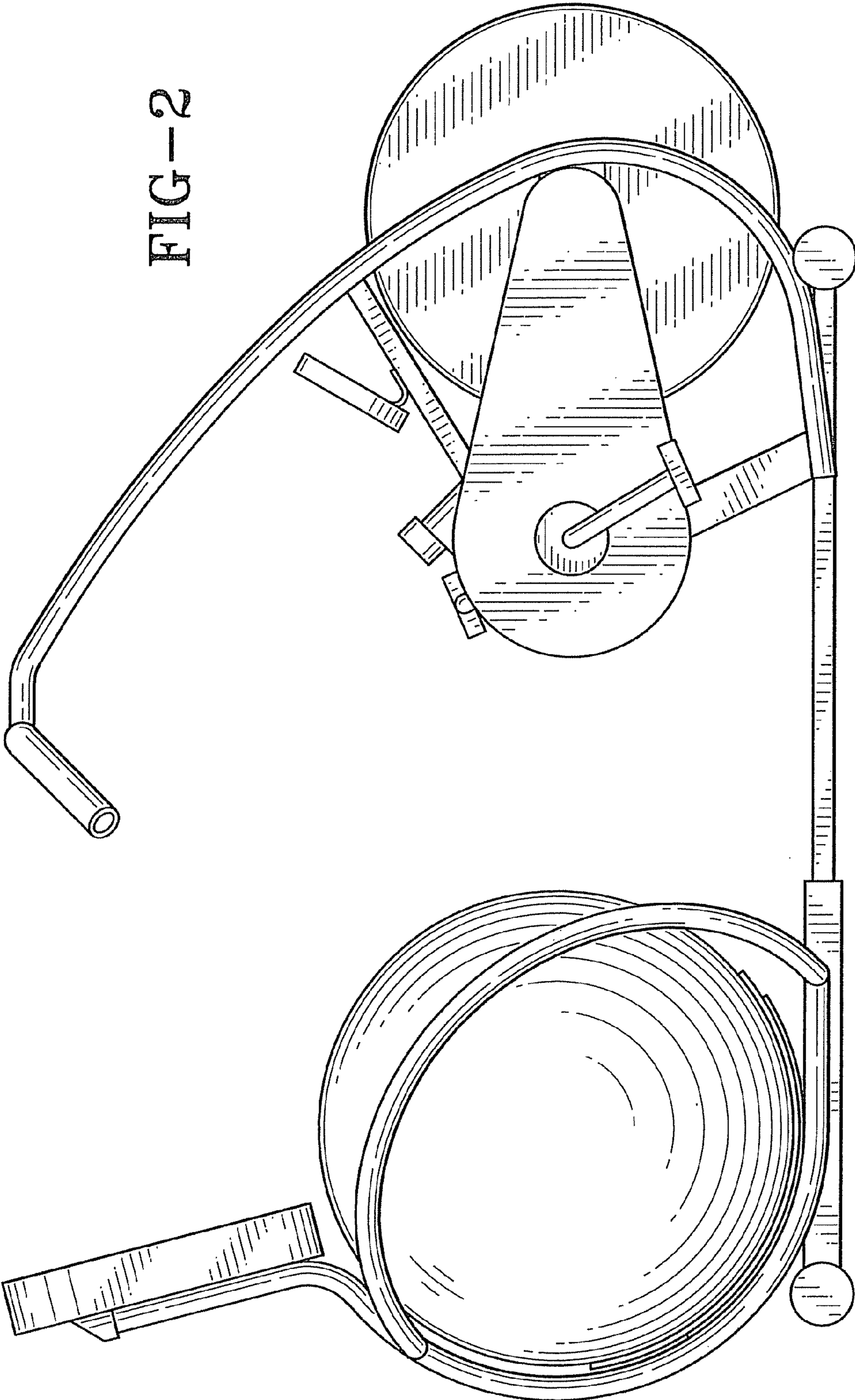


FIG-1

FIG-2



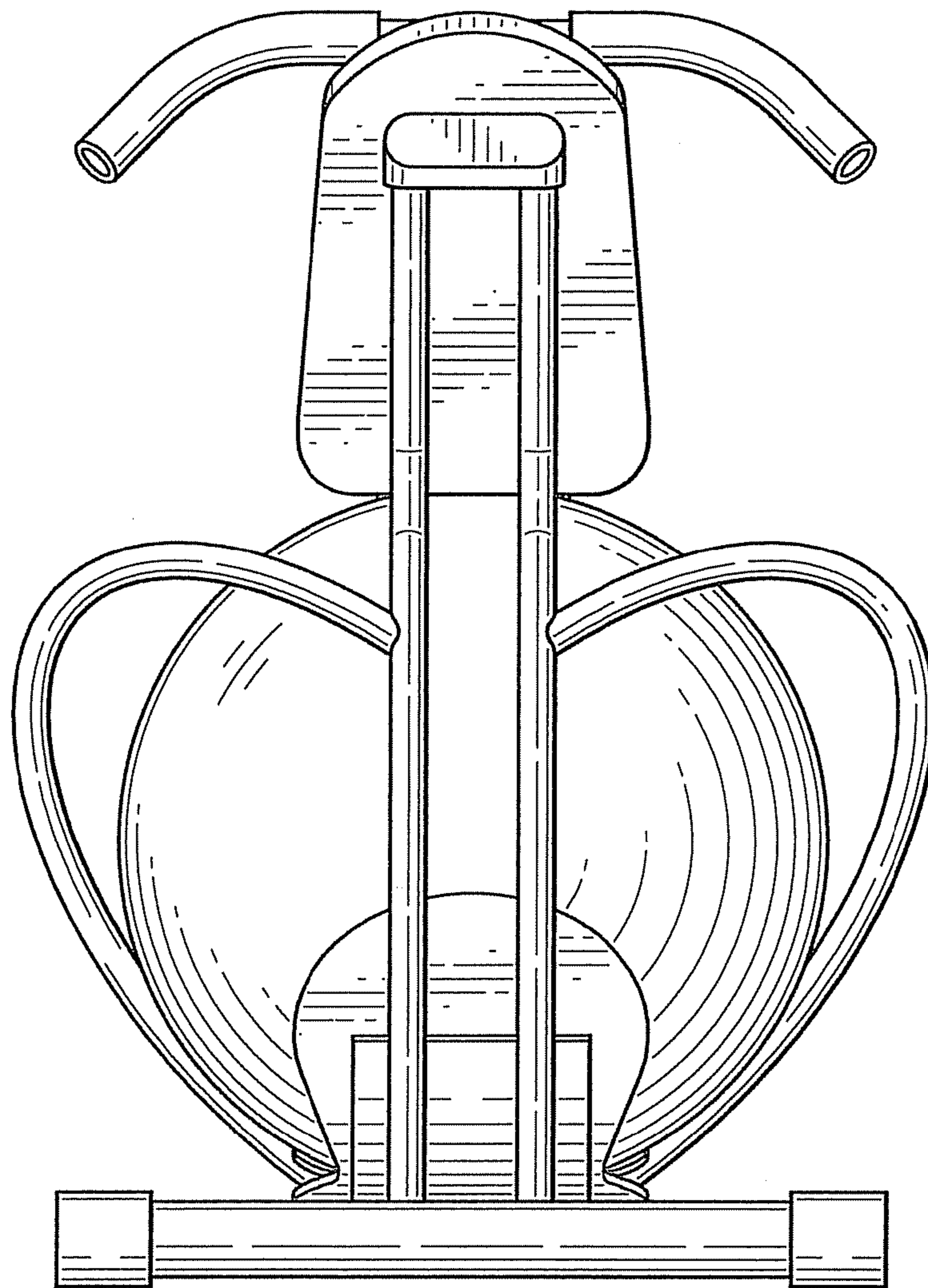


FIG-3

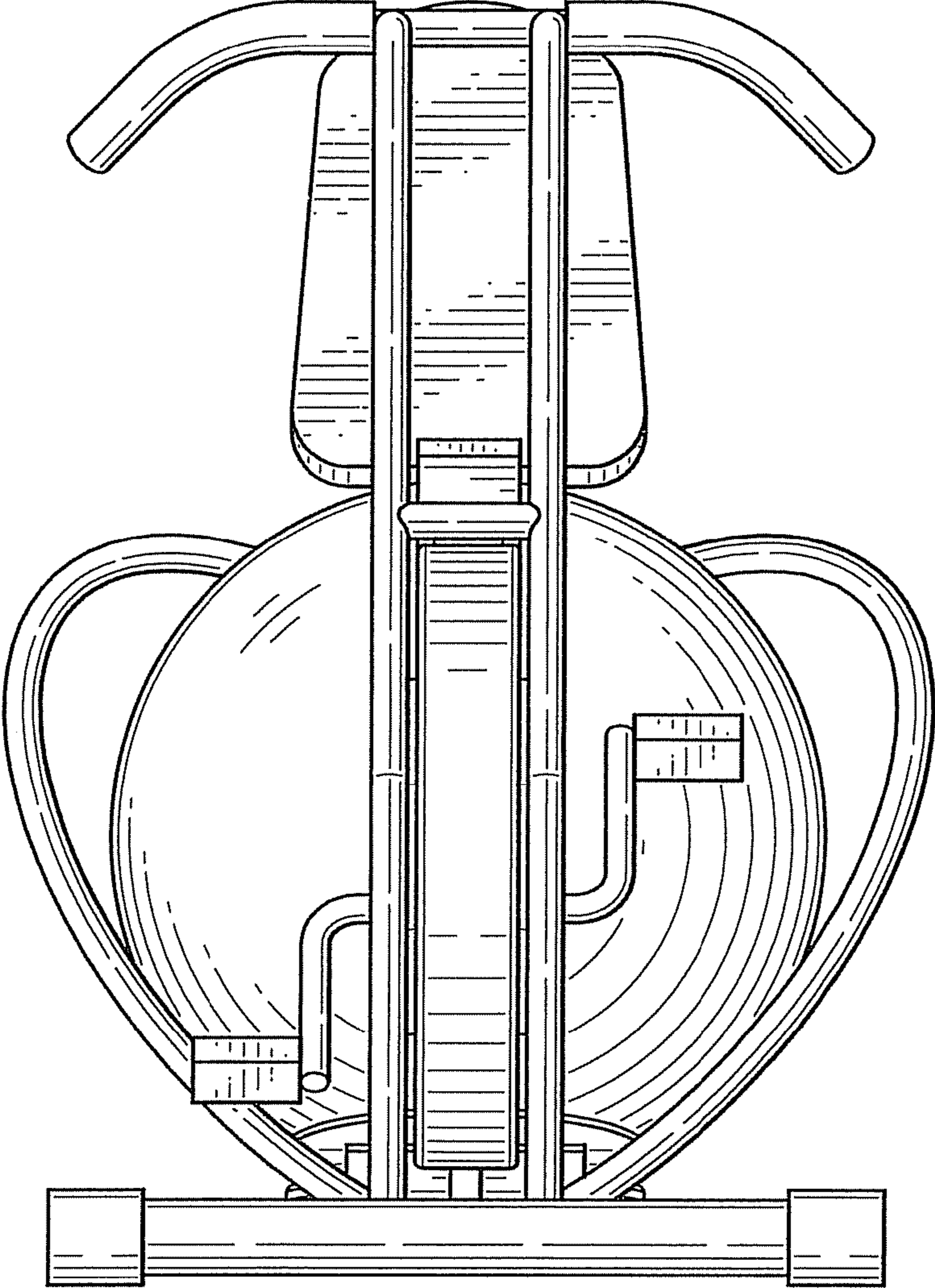


FIG-4

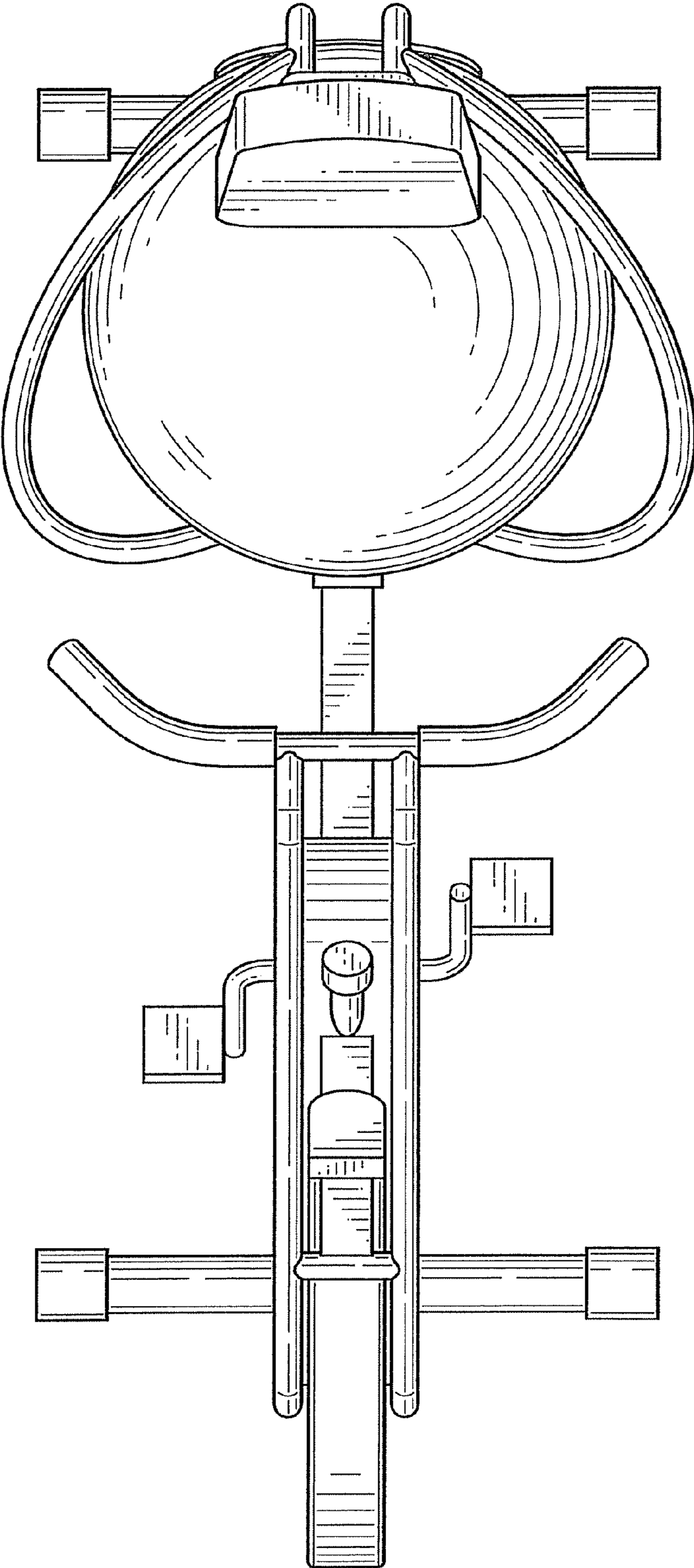


FIG-5

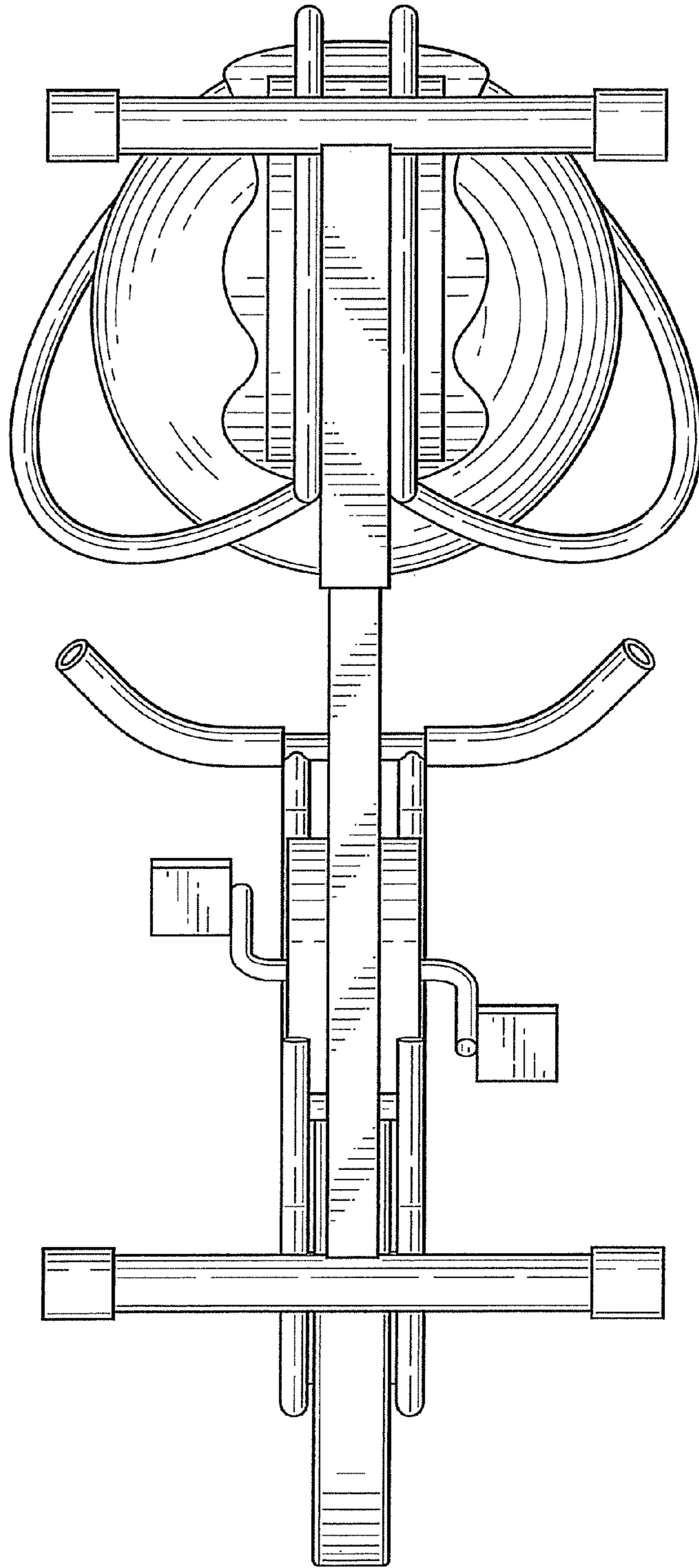


FIG-6