



US00D637241S

(12) **United States Design Patent**
Cheng

(10) **Patent No.:** **US D637,241 S**

(45) **Date of Patent:** **** May 3, 2011**

(54) **TOY OPERATION REMOTE CONTROL**

(76) Inventor: **Randy Cheng**, San Gabriel, CA (US)

(**) Term: **14 Years**

(21) Appl. No.: **29/370,351**

(22) Filed: **Jul. 6, 2010**

(51) **LOC (9) Cl.** **21-01**

(52) **U.S. Cl.** **D21/566**

(58) **Field of Classification Search** D21/324,
D21/329, 333, 566; D14/400, 401, 408,
D14/454, 509, 217, 218, 358, 155; D13/168;
446/454-456; 463/6, 7, 37, 38, 39, 46, 47

See application file for complete search history.

(56) **References Cited**

U.S. PATENT DOCUMENTS

D374,694 S *	10/1996	Arai	D21/566
D419,607 S *	1/2000	Hornsby et al.	D21/329
D437,001 S *	1/2001	Wudtke	D21/329
D447,778 S *	9/2001	Bao	D21/566
D456,050 S *	4/2002	Bao	D21/566
D469,475 S *	1/2003	Nishide	D21/329
D475,417 S *	6/2003	Wintersteiger	D21/329
D476,376 S *	6/2003	Wintersteiger	D21/329
D478,887 S *	8/2003	Jerome	D14/509
D490,477 S *	5/2004	Boilen	D21/329

D511,337 S *	11/2005	Kim	D14/509
D544,547 S *	6/2007	Solland	D21/333
D546,904 S *	7/2007	Bowen et al.	D21/566
D573,995 S *	7/2008	Lewis	D14/400
D603,457 S *	11/2009	Julskjer et al.	D21/324

* cited by examiner

Primary Examiner — Cynthia M Chin

(74) *Attorney, Agent, or Firm* — RAYmond Y. Chan; David and Raymond Patent Firm

(57) **CLAIM**

The ornamental design for a toy operation remote control, as shown and described.

DESCRIPTION

FIG. 1 is a perspective view of toy operation remote control showing my new design.

FIG. 2 is a top view thereof.

FIG. 3 is a bottom view thereof.

FIG. 4 is a front end view thereof.

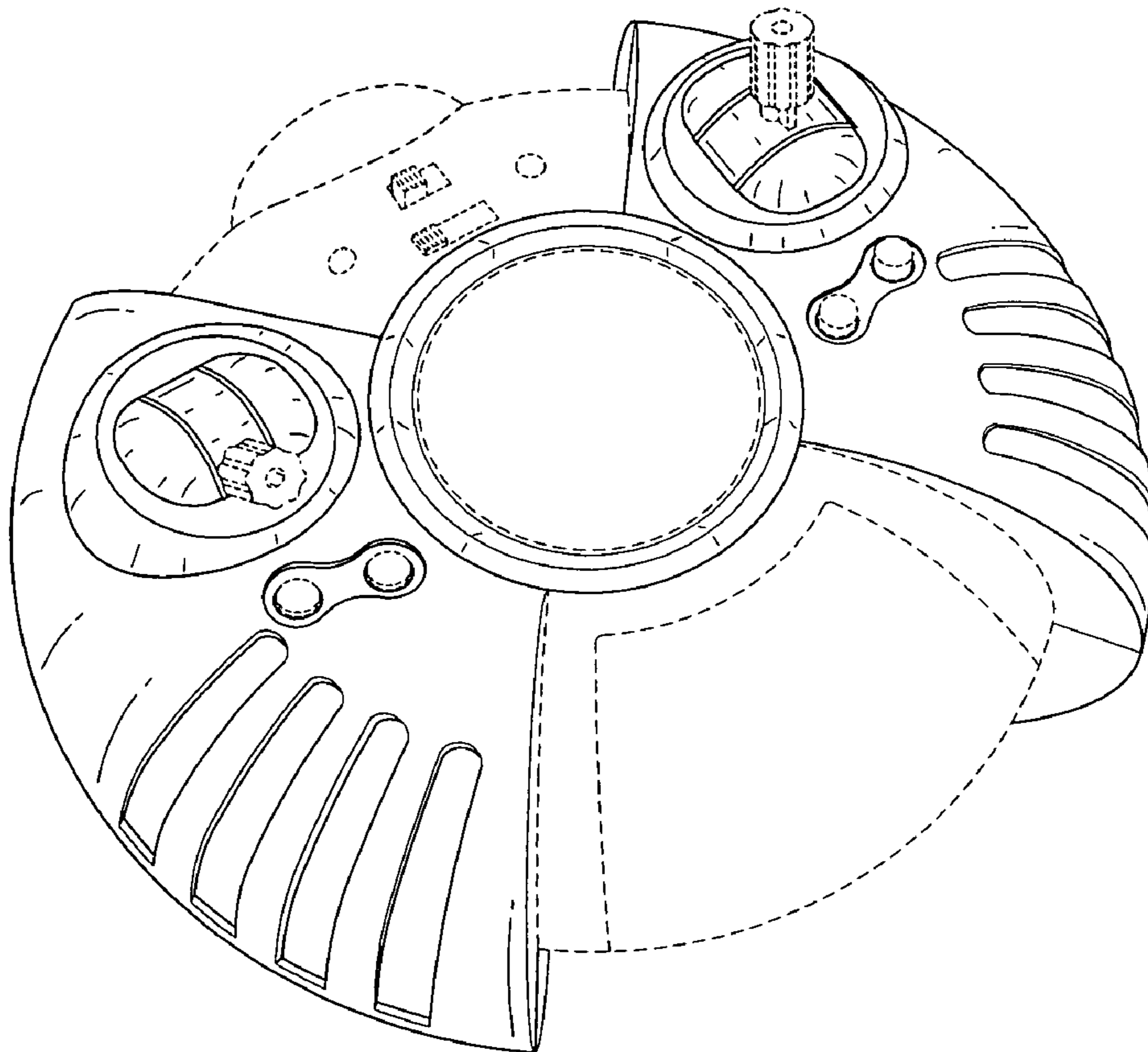
FIG. 5 is a rear end view thereof.

FIG. 6 is a left view thereof; and,

FIG. 7 is a right view thereof.

It is understood that the broken lines in the drawing are for illustrative purposes only and forms no part of the claimed design.

1 Claim, 7 Drawing Sheets



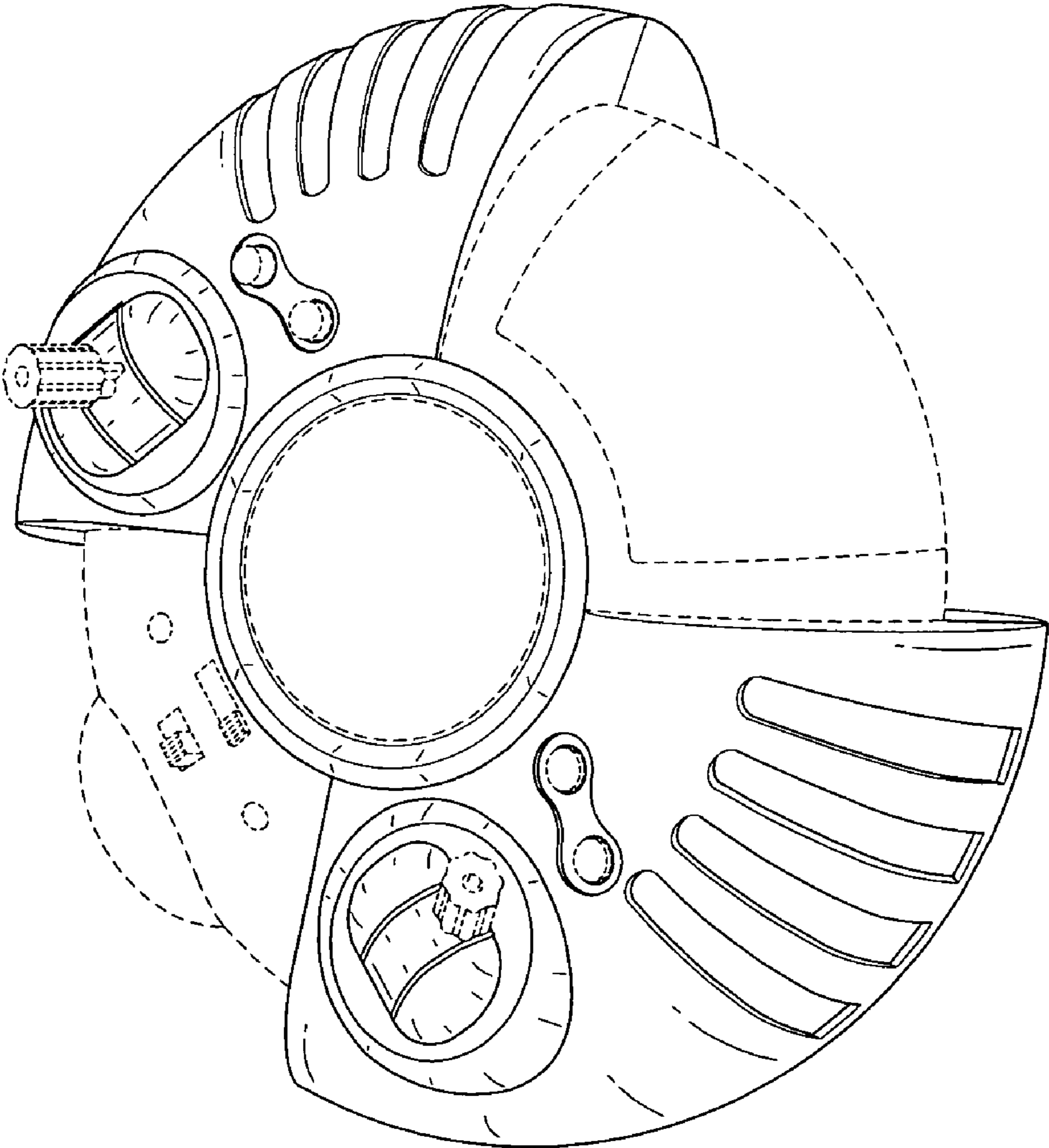


Fig. 1

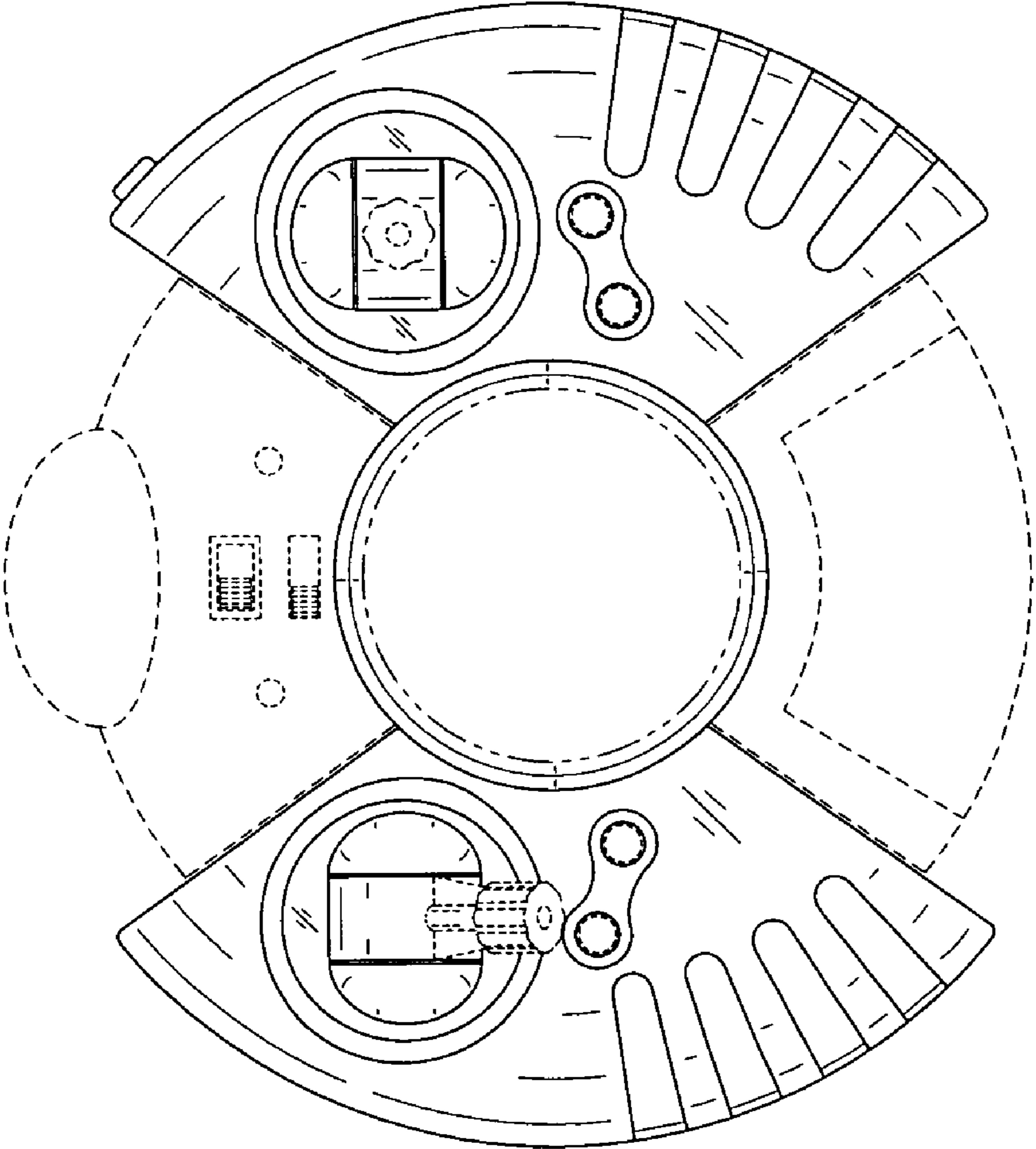


Fig.2

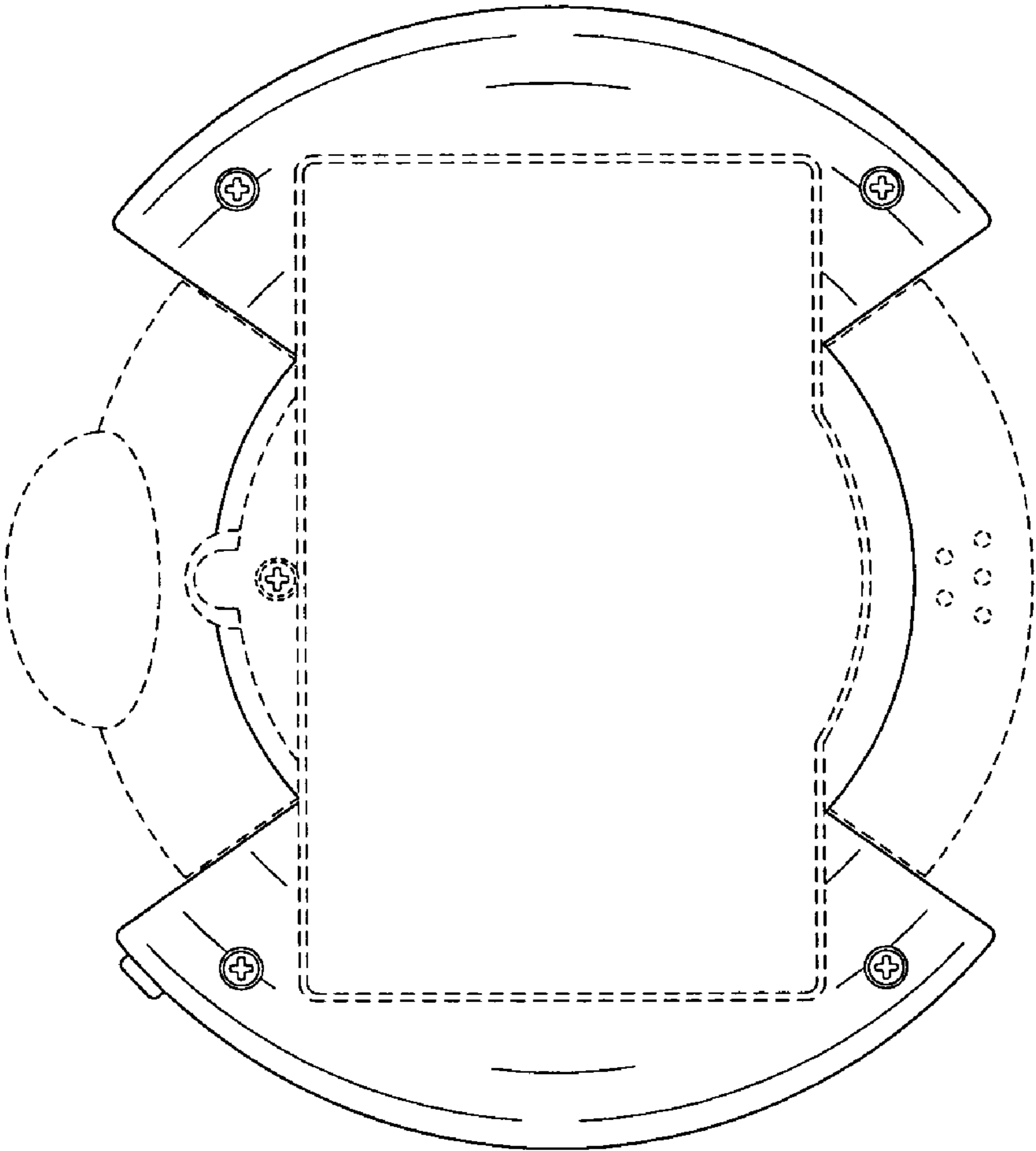


Fig. 3

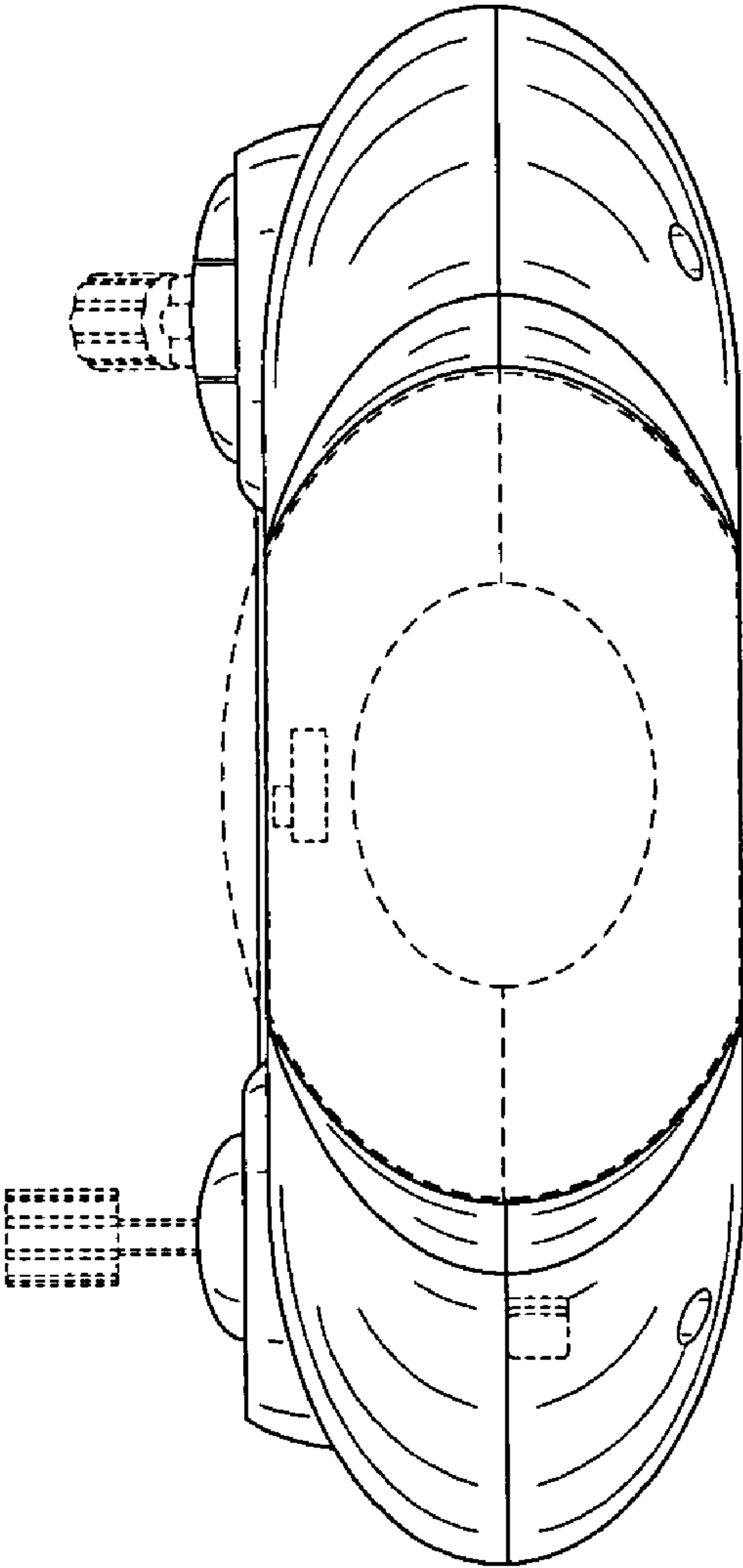


Fig.4

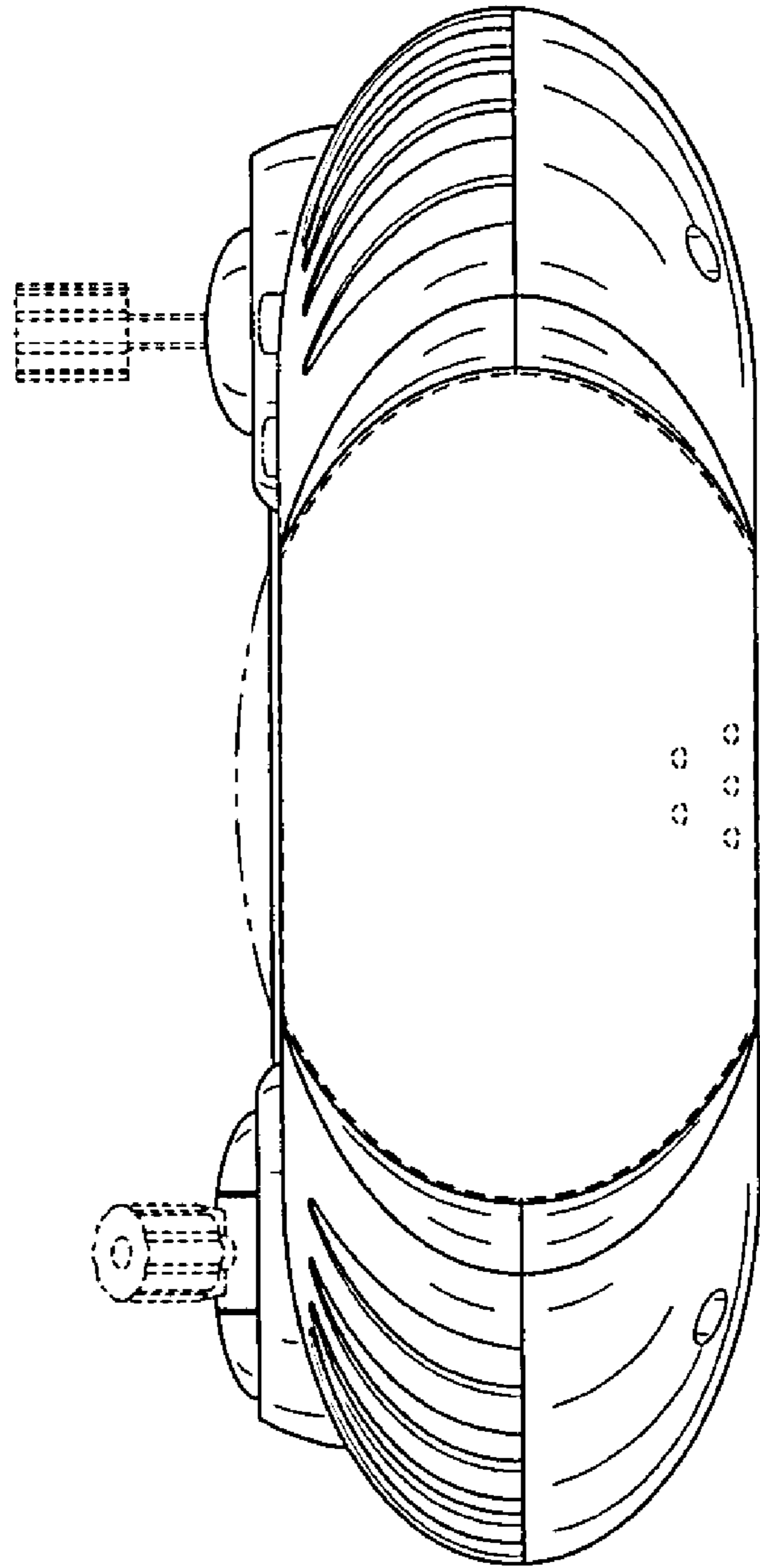


Fig. 5

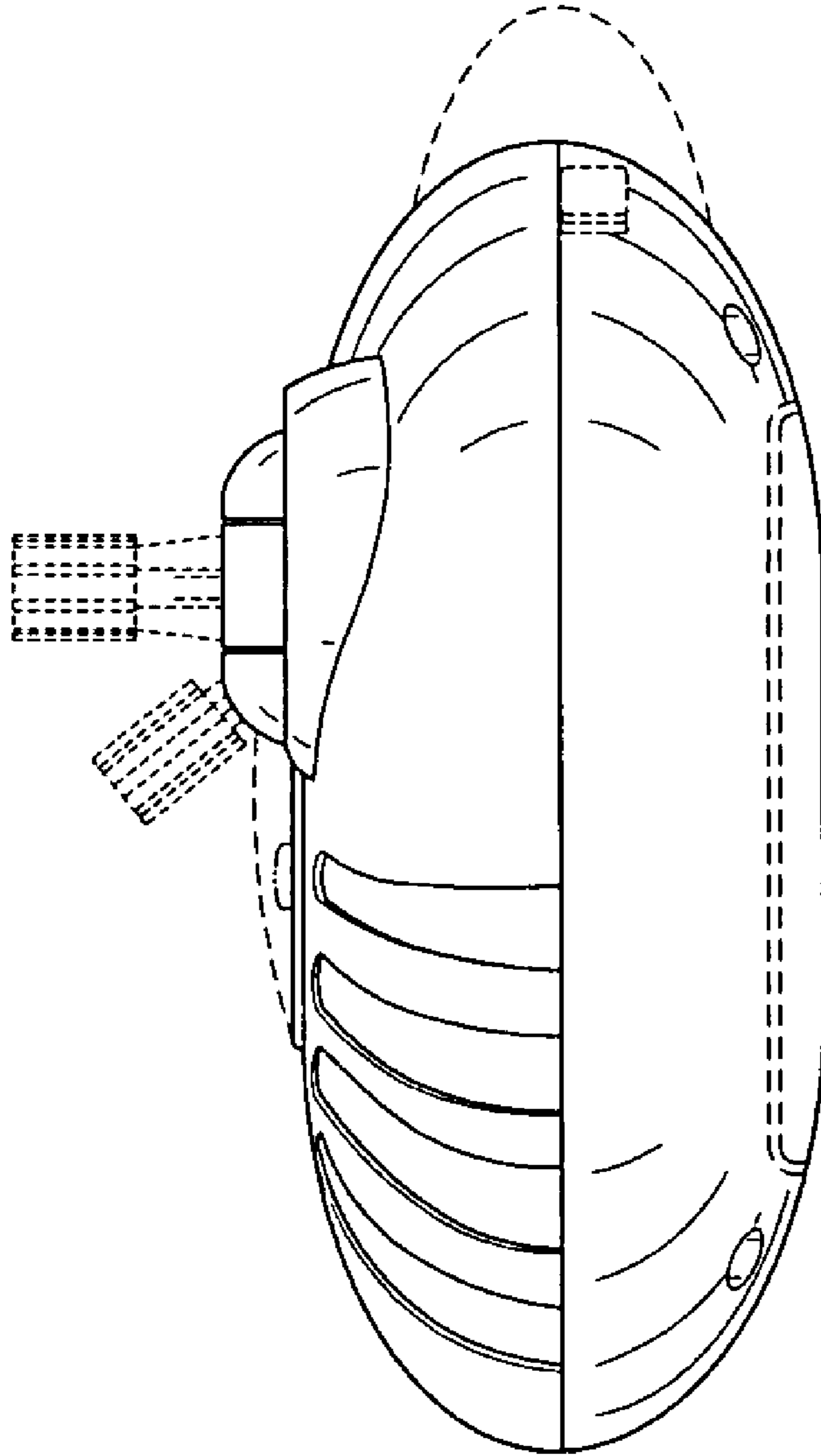


Fig. 6

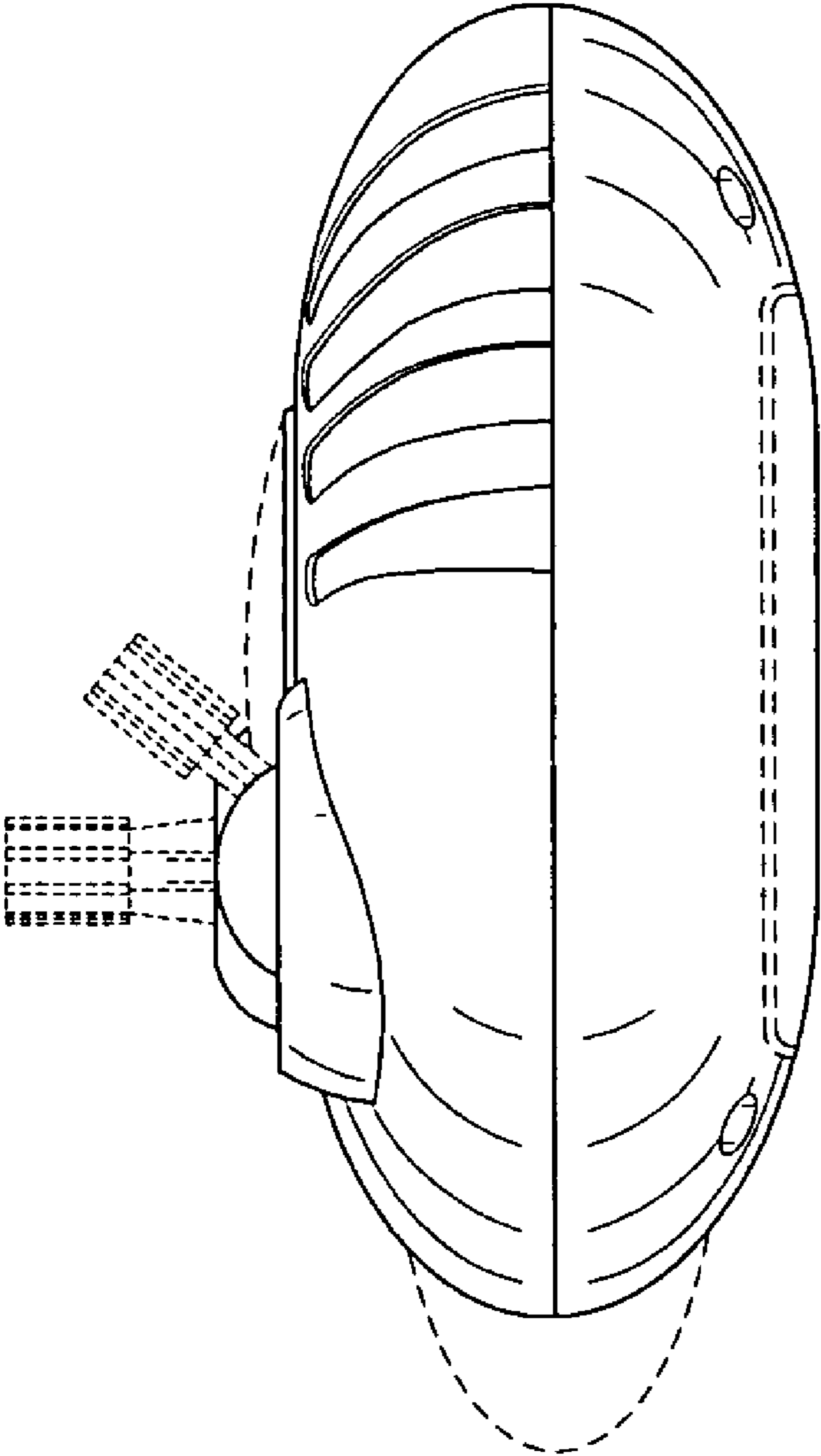


Fig. 7