



US00D637236S

(12) **United States Design Patent**
Lum et al.

(10) **Patent No.:** **US D637,236 S**

(45) **Date of Patent:** **** May 3, 2011**

(54) **PORTABLE DEVICE GAMING DOCK**

D494,634 S * 8/2004 Soga D21/333
D568,883 S * 5/2008 Ashida et al. D14/400
D624,080 S * 9/2010 Jennings et al. D14/401

(75) Inventors: **Myk Lum**, Irvine, CA (US); **Yu Chuan Chang**, Rowland Heights, CA (US);
William Yeh, Lake Forest, CA (US)

* cited by examiner

(73) Assignee: **LDA, LLC**

Primary Examiner — Prabhakar Deshmukh

(**) Term: **14 Years**

(74) *Attorney, Agent, or Firm* — Stetina Brunda Garred & Brucker

(21) Appl. No.: **29/352,905**

(57) **CLAIM**

The ornamental design for a portable device gaming dock, as shown and described.

(22) Filed: **Dec. 29, 2009**

(51) **LOC (9) Cl.** **21-01**

DESCRIPTION

(52) **U.S. Cl.** **D21/333; D14/434**

(58) **Field of Classification Search** D21/324–333;
273/148 B; 463/1, 29–47; D14/496, 432,
D14/434; 345/156–161, 904, 906
See application file for complete search history.

FIG. 1 is a front perspective view of a portable device gaming device showing our new design;
FIG. 2 is a rear perspective view thereof;
FIG. 3 is a top plan view thereof;
FIG. 4 is a front elevational view thereof;
FIG. 5 is a bottom plan view thereof;
FIG. 6 is a left side elevational view thereof;
FIG. 7 is a right side elevational view thereof; and,
FIG. 8 is a rear elevational view thereof.

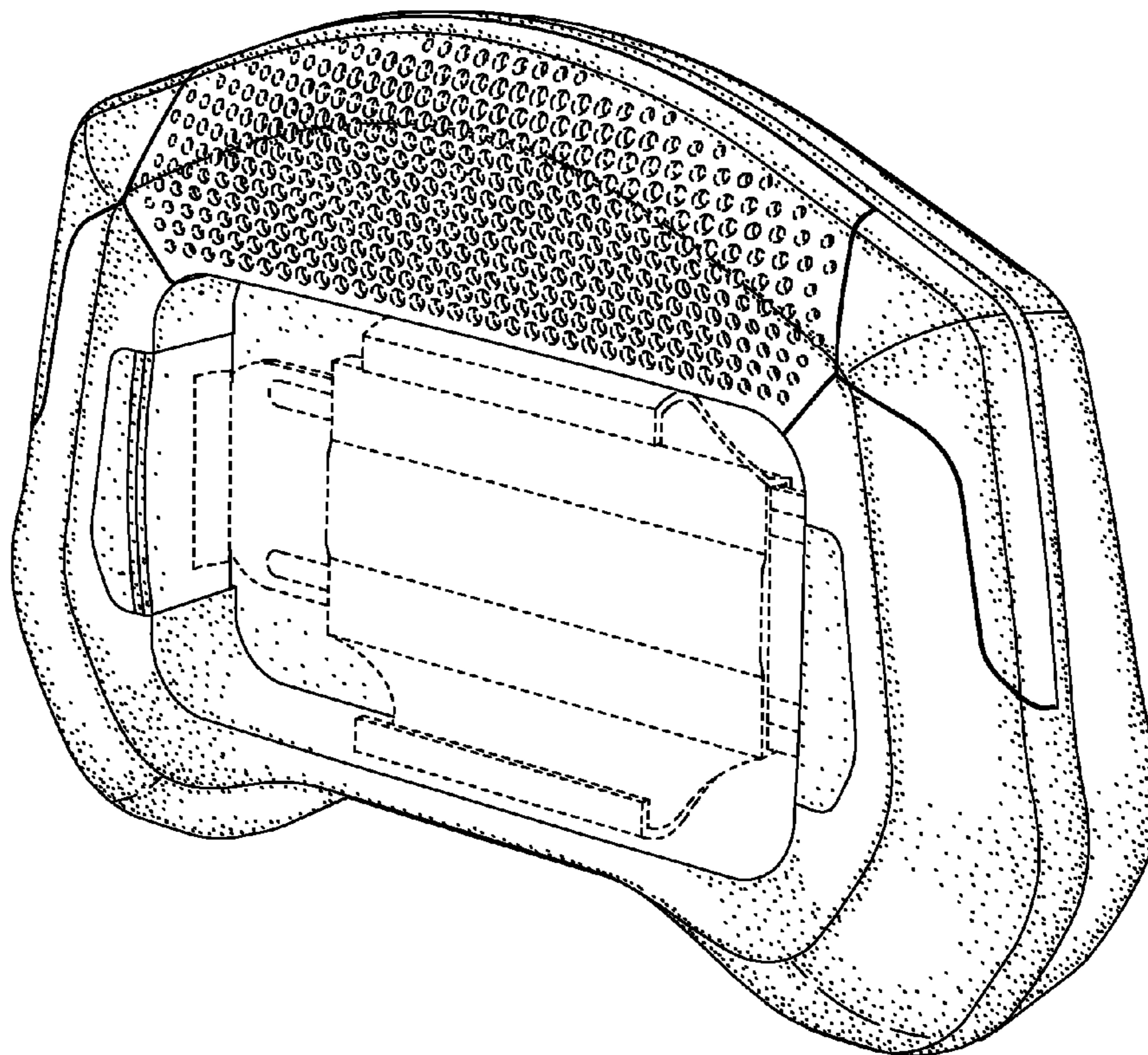
(56) **References Cited**

U.S. PATENT DOCUMENTS

4,422,640 A * 12/1983 Tamarkin 463/47
5,046,739 A * 9/1991 Reichow 273/148 B
5,209,478 A * 5/1993 Simpson 273/148 B
D415,145 S * 10/1999 Oikawa et al. D14/400
D464,996 S * 10/2002 Hussaini et al. D21/333
D467,621 S * 12/2002 Ku D21/333
D470,192 S * 2/2003 Ku D21/333
D489,416 S * 5/2004 Chao D21/333

The broken lines, which define the bounds of the claimed design, form no part thereof. The portions shown in broken lines are for illustrative purpose only and form no part of the claimed design.

1 Claim, 3 Drawing Sheets



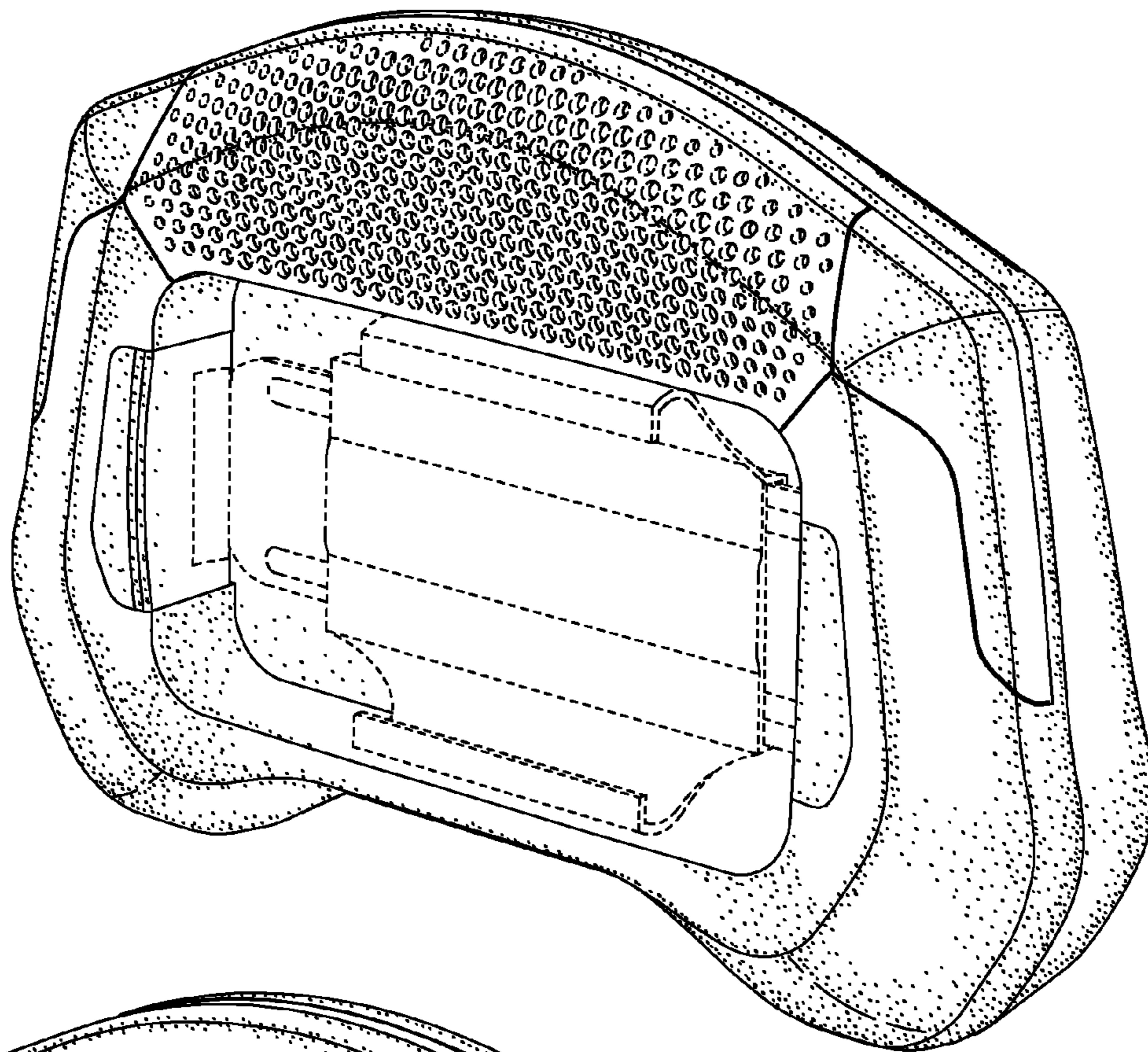


Fig. 1

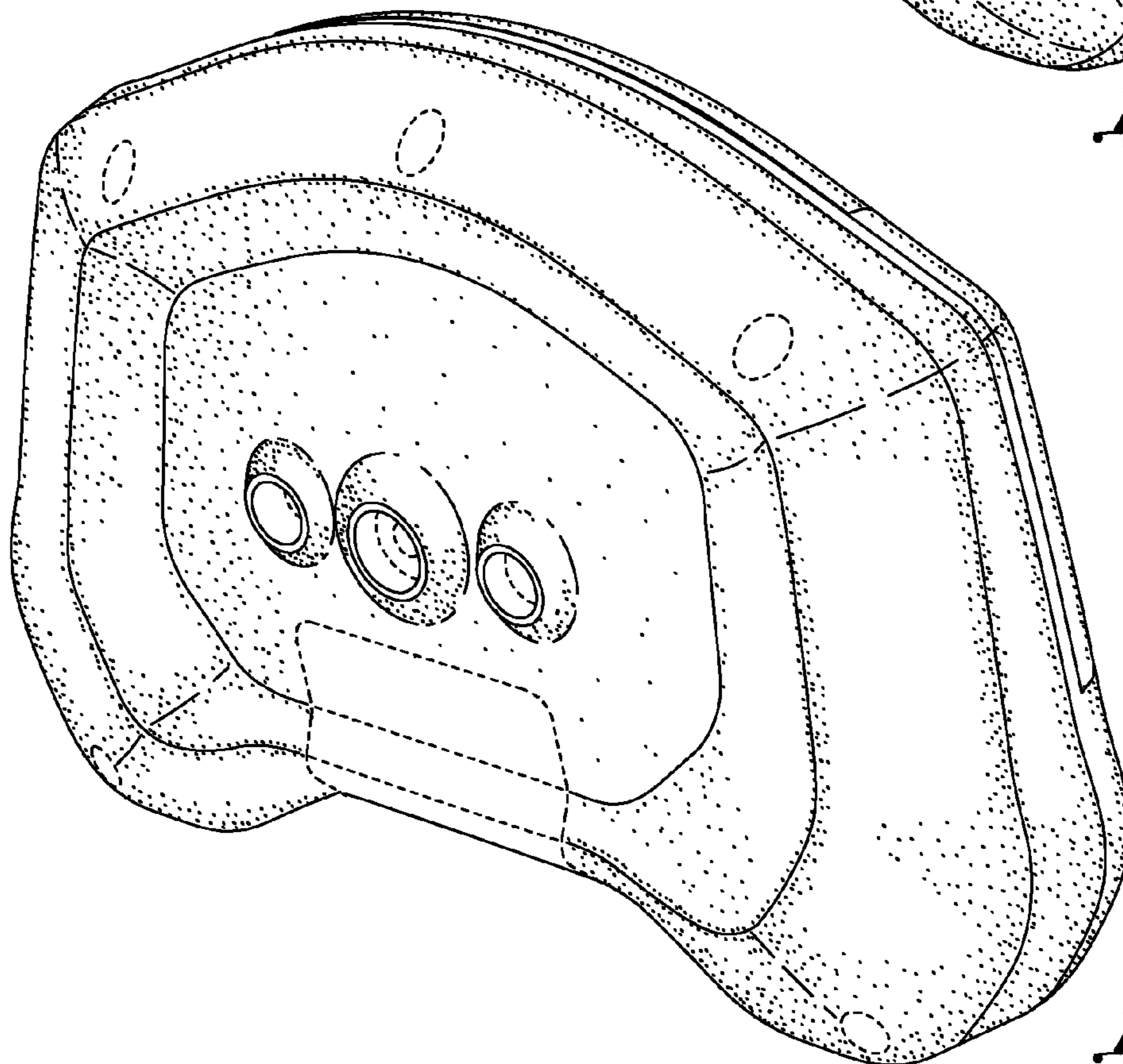


Fig. 2

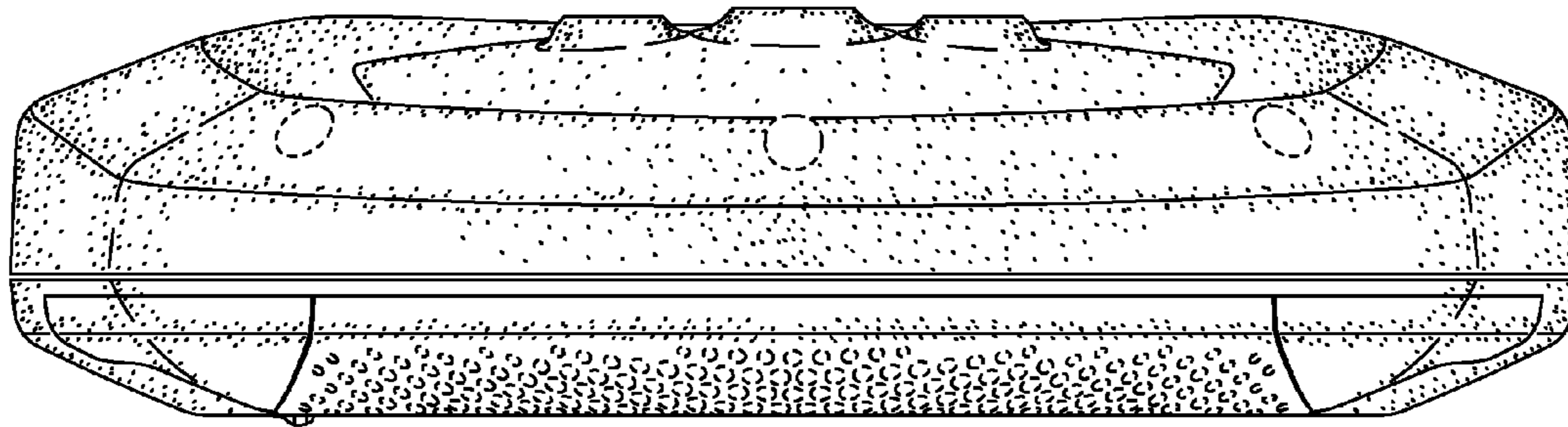


Fig. 3

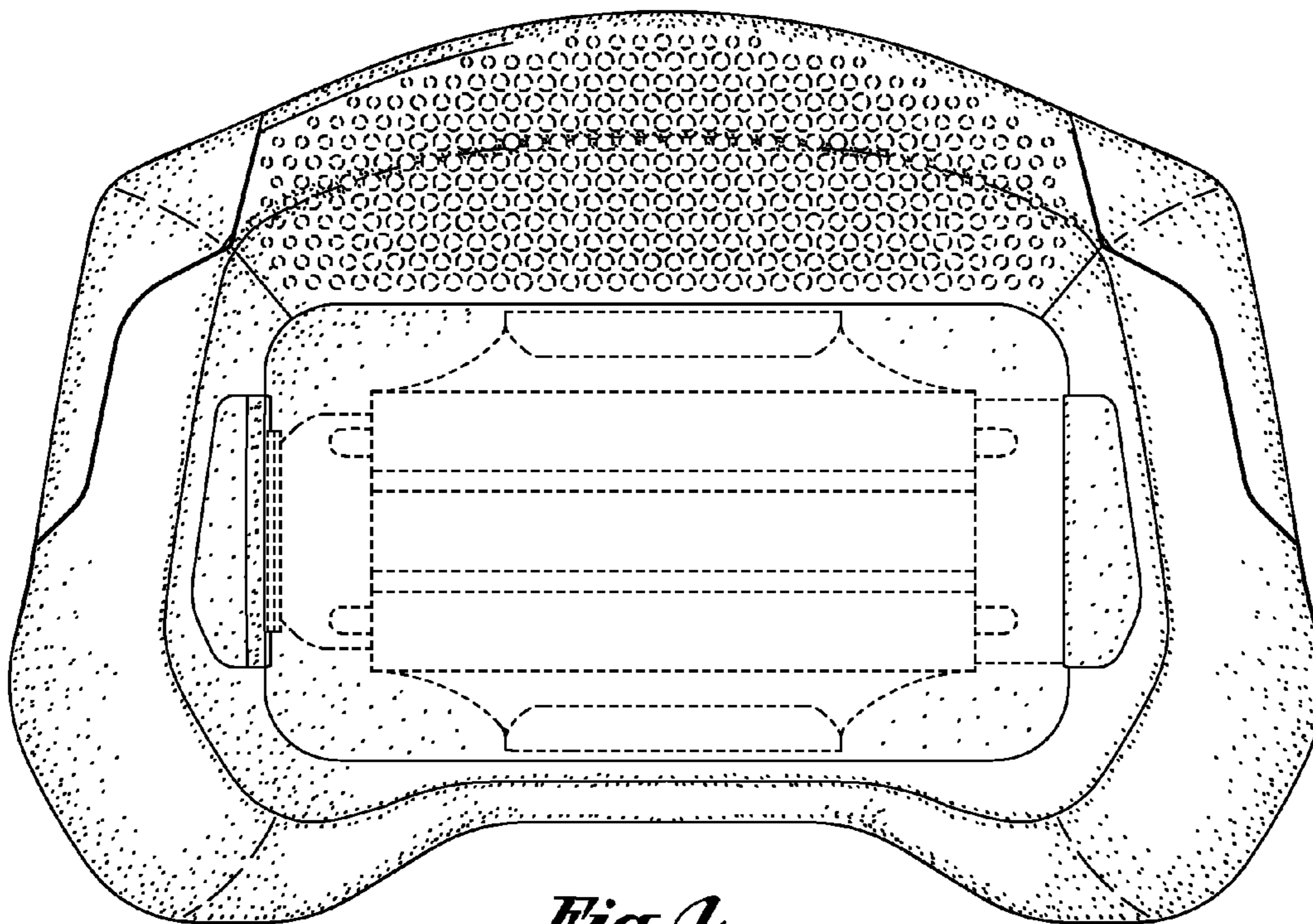


Fig. 4

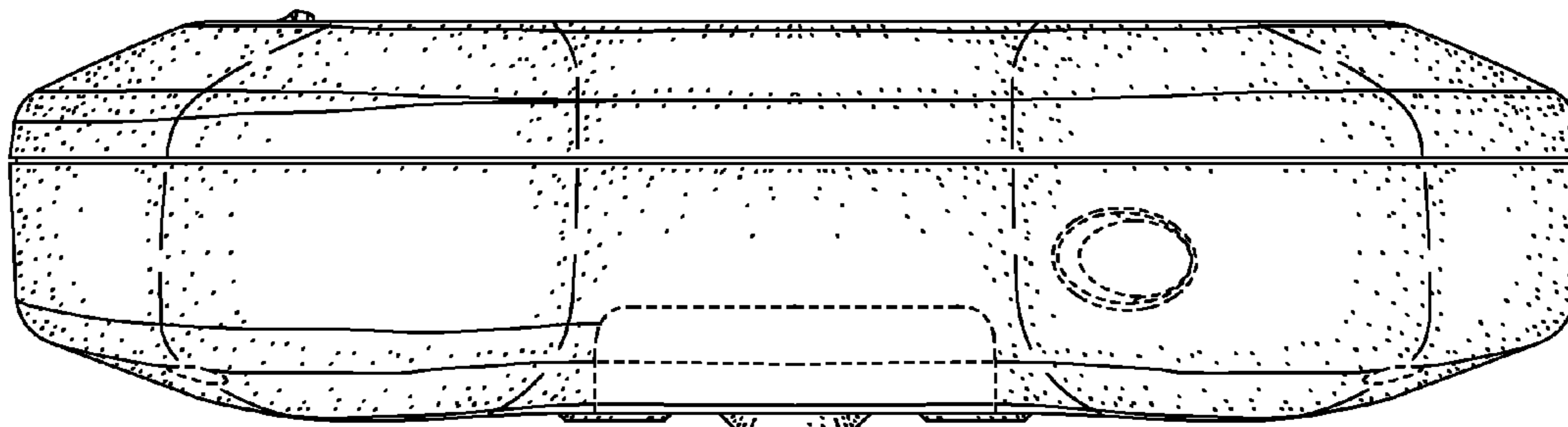


Fig. 5

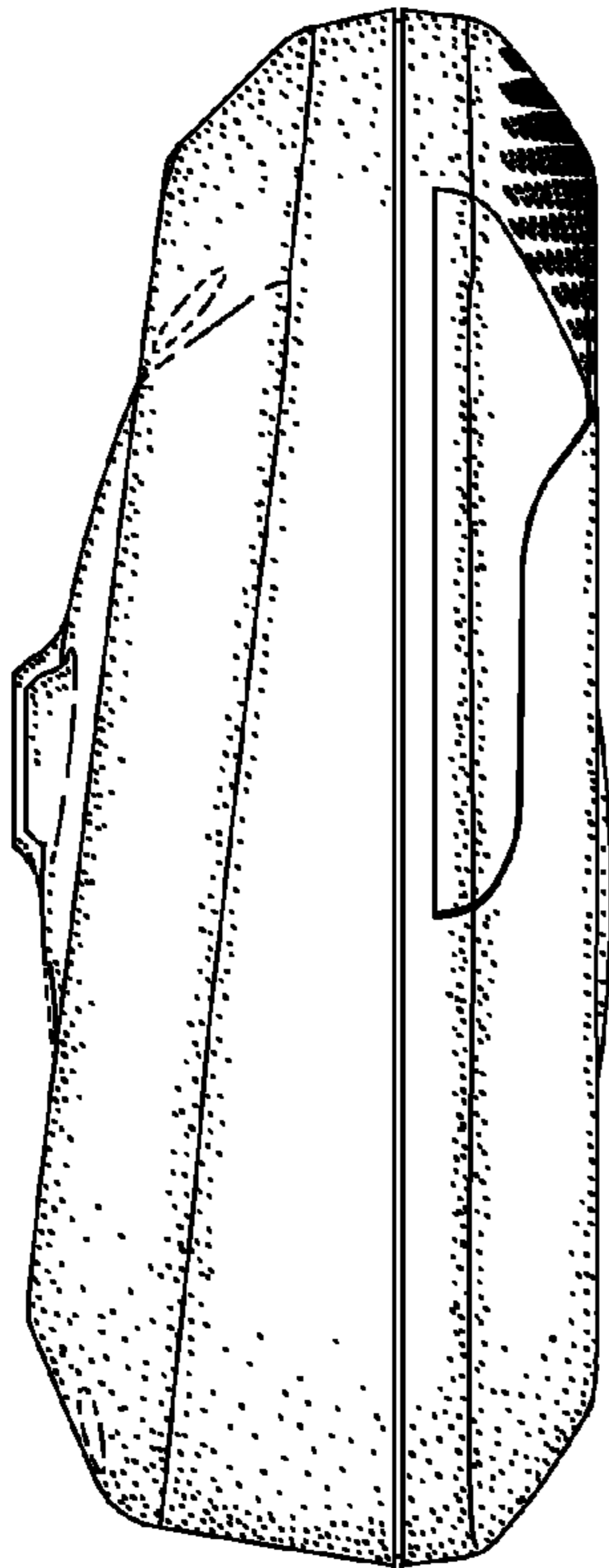


Fig. 6

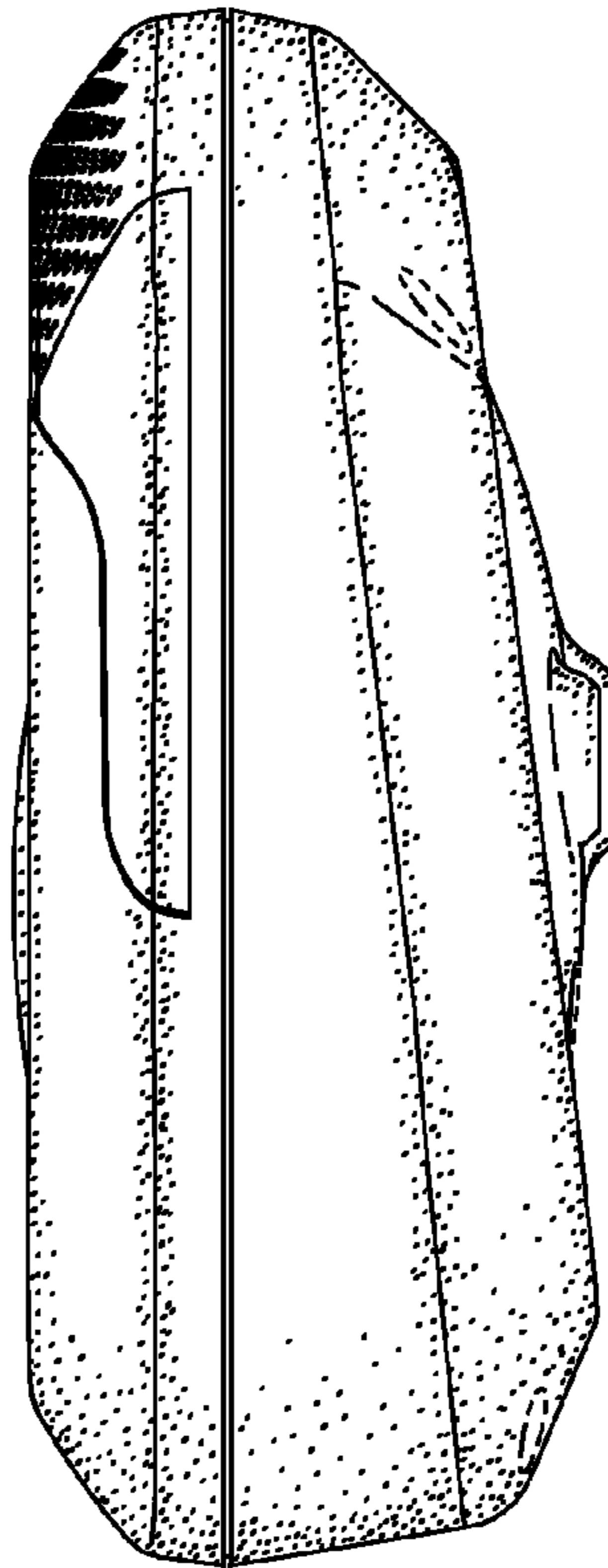


Fig. 7

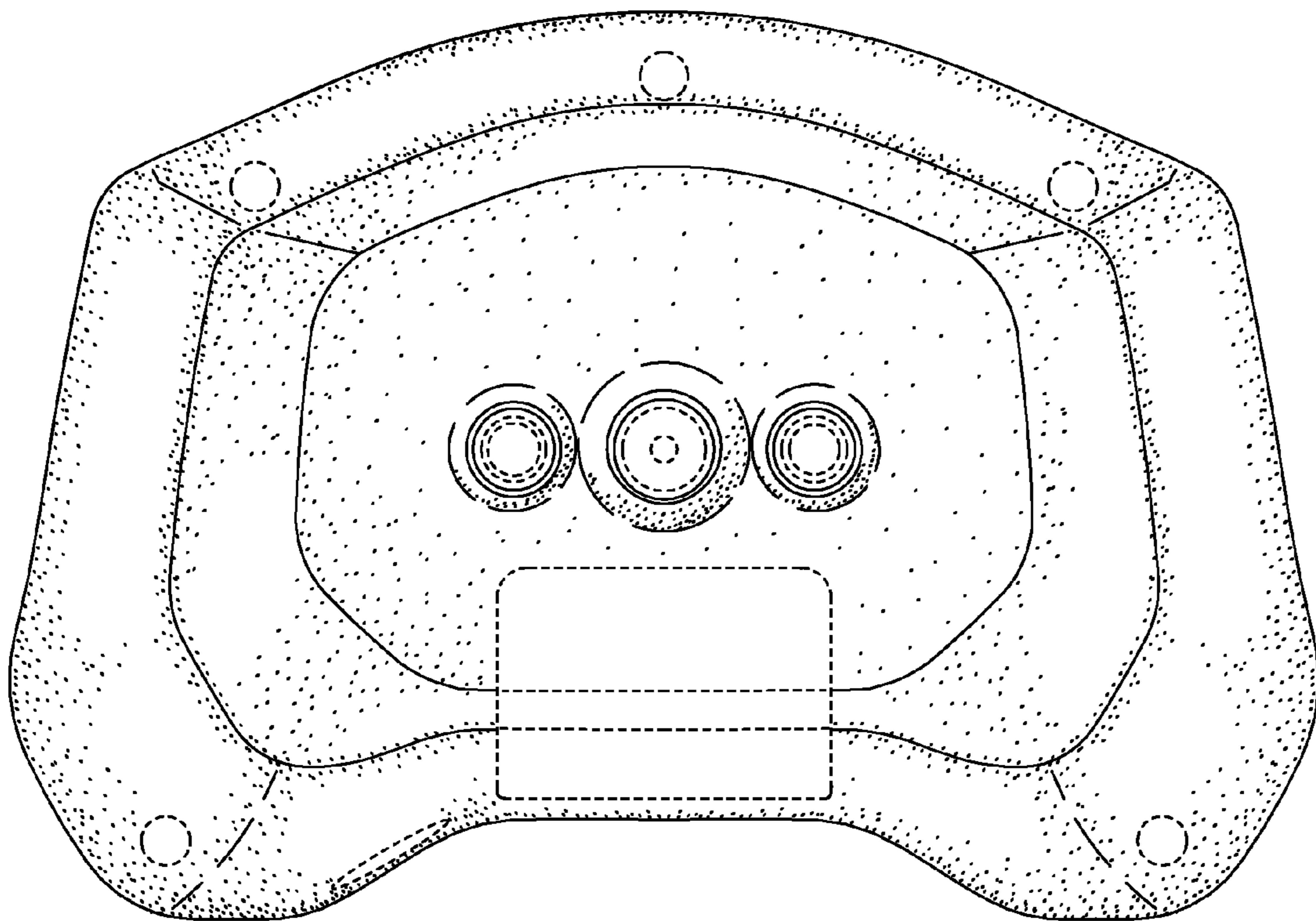


Fig. 8