



US00D637235S

(12) **United States Design Patent**
Reiss et al.

(10) **Patent No.:** **US D637,235 S**

(45) **Date of Patent:** **** May 3, 2011**

(54) **BLOOD SAMPLE TUBE LABEL**
(75) Inventors: **Rebecca Anne Reiss**, Omaha, NE (US);
Matthew Robert Kreifels, Omaha, NE
(US); **David Lee Oliver**, Weeping Water,
NE (US)
(73) Assignee: **Streck, Inc.**, LaVista, NE (US)
(**) Term: **14 Years**

5,000,484 A 3/1991 Phelan et al.
5,135,125 A 8/1992 Andel et al.
5,343,647 A * 9/1994 Bulka 40/630
5,366,249 A 11/1994 Diemert
5,468,022 A 11/1995 Linder et al.
5,490,658 A 2/1996 Coward et al.
5,512,343 A 4/1996 Shaw
5,540,358 A * 7/1996 Wiles et al. 222/107
5,560,657 A 10/1996 Morgan
D382,343 S * 8/1997 Wandell et al. D24/189
5,976,014 A 11/1999 Petrick et al.

(Continued)

(21) Appl. No.: **29/345,313**

(22) Filed: **Oct. 14, 2009**

(51) **LOC (9) Cl.** **19-08**

(52) **U.S. Cl.** **D20/27**

(58) **Field of Classification Search** D20/10,
D20/11, 19, 22-29, 40, 99; 40/124.01-124.04,
40/124.06, 124.12, 124.15, 124.191, 299.01,
40/300, 305, 306, 316, 359, 360, 541, 584,
40/625, 630, 638, 652, 661, 666, 672, 675;
D12/196; D24/189; 2/69; 116/209; 206/349;
29/525.01; 215/303; 248/351; 251/10; 222/10.7;
283/56, 71, 81, 101, 105; 350/572.3; 428/40.1,
428/42.1-42.3, 914

See application file for complete search history.

(56) **References Cited**

U.S. PATENT DOCUMENTS

1,432,249 A * 10/1922 Hoyme 2/69
1,922,799 A * 8/1933 Gaus 40/305
2,250,666 A * 7/1941 Godefroy 215/303
2,690,624 A * 10/1954 Phillips 40/652
2,930,570 A * 3/1960 Leedy 251/10
3,781,120 A 12/1973 Engelhardt
3,994,085 A 11/1976 Groselak et al.
4,043,453 A * 8/1977 Greenlee 206/349
4,318,090 A * 3/1982 Narlow et al. 340/572.3
4,513,522 A 4/1985 Selenke
4,579,759 A 4/1986 Breuers
4,584,219 A 4/1986 Baartmans
4,884,827 A 12/1989 Kelley
4,921,277 A 5/1990 McDonough

OTHER PUBLICATIONS

Co-pending U.S. Appl. No. 29/396,723, filed Sep. 13, 2010.

(Continued)

Primary Examiner — Mary Ann Calabrese

(74) *Attorney, Agent, or Firm* — Dobrusin & Thennisch PC

(57) **CLAIM**

The ornamental design for a blood sample tube label, as shown and described.

DESCRIPTION

FIG. 1 is a perspective view of the present invention with a vial inserted in the label.

FIG. 2 is a top elevational view of FIG. 1 with a vial inserted in the label.

FIG. 3 is a bottom elevational view of FIG. 1.

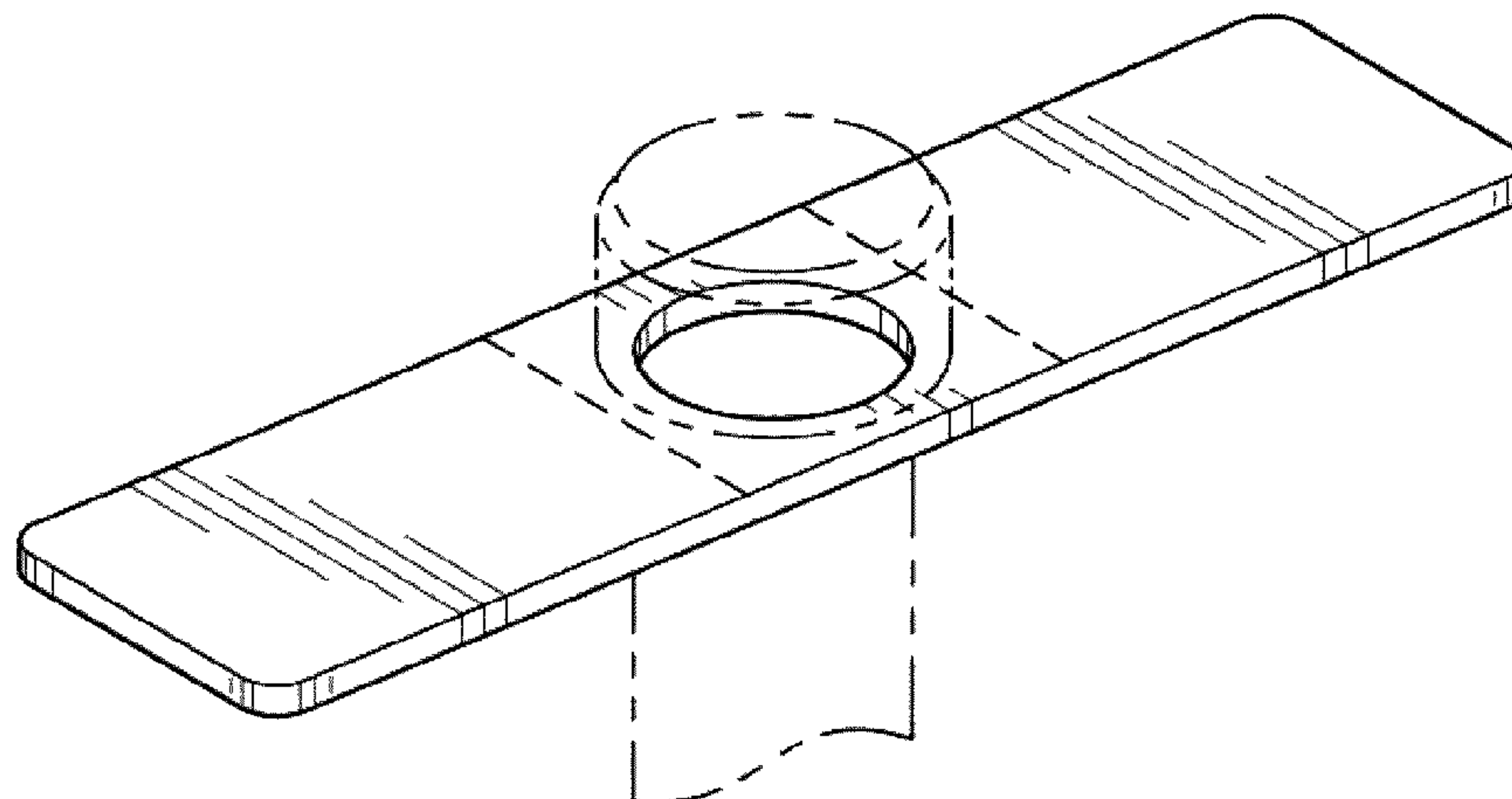
FIG. 4 is a side elevational view of FIG. 1, which is a mirror image of the other side; and,

FIG. 5 is a rear elevational view of FIG. 1, which is a mirror image of the other side.

The uneven broken lines showing environment in the drawings are for illustrative purposes only and form no part of the claimed design.

The evenly spaced broken lines located on either side of the circular opening of the label show a pattern of scoring and do form part of the claimed design.

1 Claim, 1 Drawing Sheet



US D637,235 S

Page 2

U.S. PATENT DOCUMENTS

6,125,563 A 10/2000 Girerd
6,128,840 A * 10/2000 Boisvert 40/124.191
6,177,163 B1 1/2001 Blok et al.
6,527,242 B1 * 3/2003 Kennedy 248/351
6,560,847 B2 * 5/2003 Ohlsson 29/525.01
6,581,973 B2 6/2003 Levine et al.
6,860,513 B2 3/2005 Kaufman
7,318,293 B2 * 1/2008 Ardern, II 40/666
7,398,999 B2 7/2008 Kaufman
7,419,832 B2 9/2008 Hunsley et al.

7,478,513 B2 1/2009 Baldwin
7,767,460 B2 8/2010 Hunsley et al.
2001/0049895 A1 * 12/2001 Burke 40/630
2002/0066216 A1 * 6/2002 DeLaCruz 40/124.12
2009/0308303 A1 * 12/2009 Burlando 116/209
2010/0167271 A1 7/2010 Ryan

OTHER PUBLICATIONS

Co-Pending U.S. Appl. No. 12/871,955, filed Aug. 21, 2010.

* cited by examiner

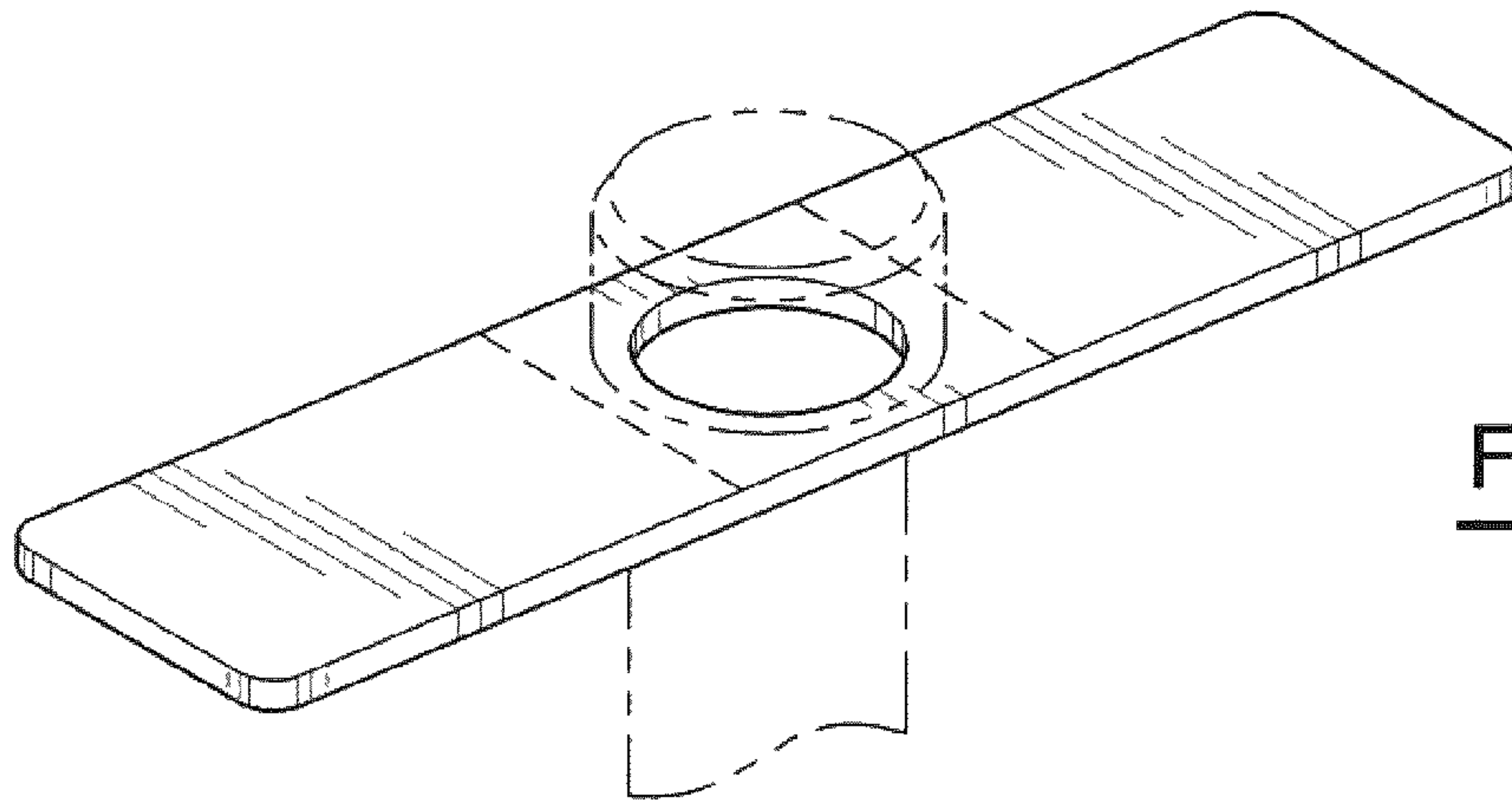


Fig - 1

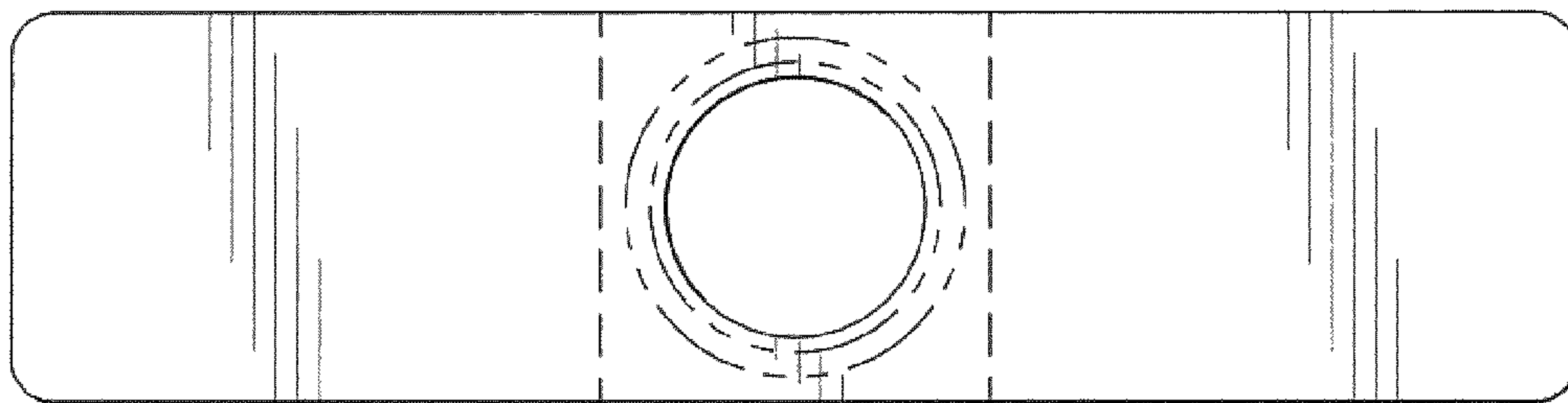


Fig - 2

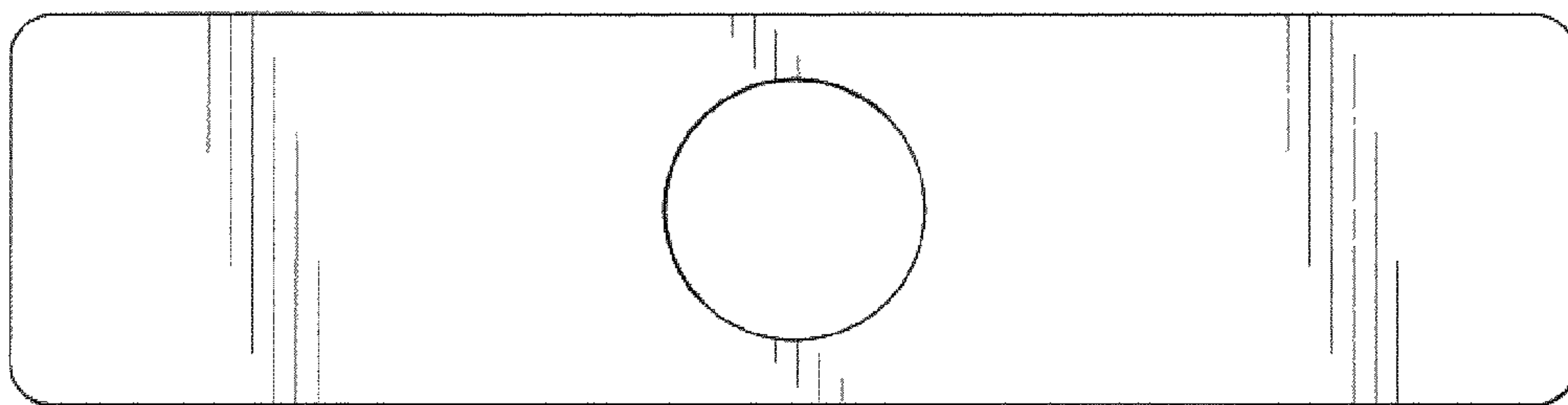


Fig - 3

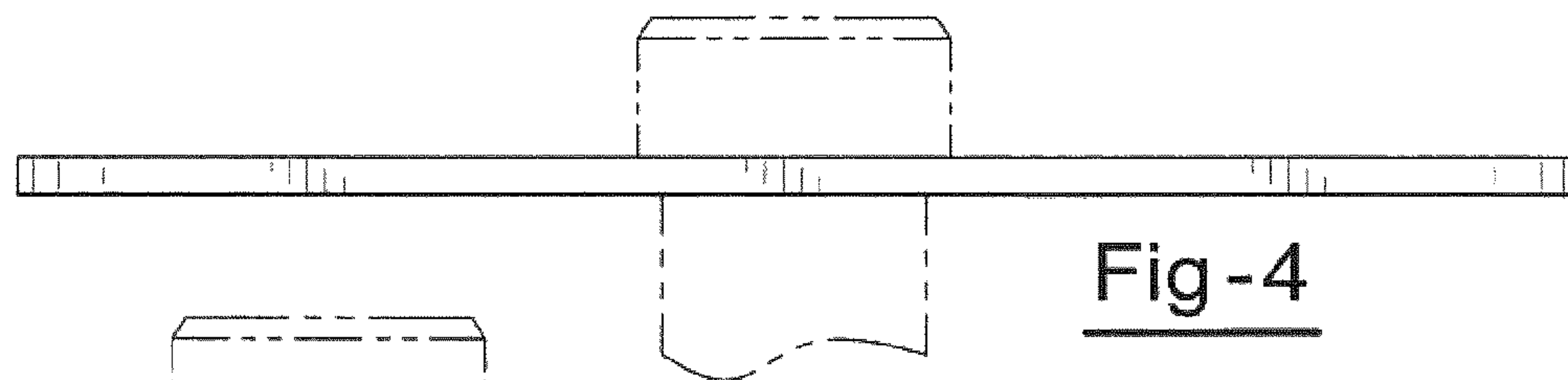


Fig - 4

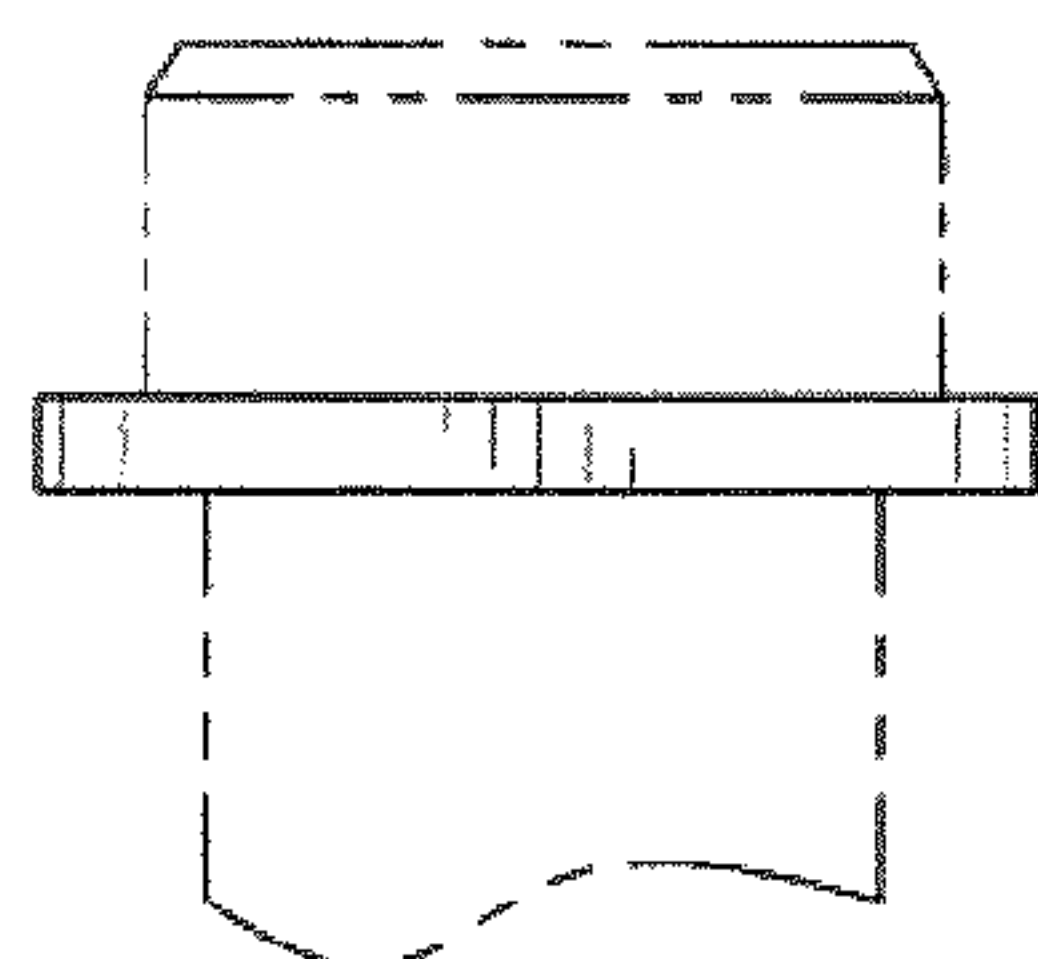


Fig - 5