



US00D637234S

(12) **United States Design Patent**  
**Reiss et al.**

(10) **Patent No.:** **US D637,234 S**  
(45) **Date of Patent:** **\*\* May 3, 2011**

- (54) **BLOOD SAMPLE TUBE LABEL**
- (75) Inventors: **Rebecca Anne Reiss**, Omaha, NE (US);  
**Matthew Robert Kreifels**, Omaha, NE  
(US); **David Lee Oliver**, Weeping Water,  
NE (US)
- (73) Assignee: **Streck, Inc.**, LaVista, NE (US)
- (\*\*) Term: **14 Years**
- (21) Appl. No.: **29/369,723**
- (22) Filed: **Sep. 13, 2010**

4,043,453 A	8/1977	Greenlee	
4,318,090 A	3/1982	Narlow et al.	
4,513,522 A	4/1985	Selenke	
4,579,759 A	4/1986	Breuers	
4,584,219 A	4/1986	Baartmans	
4,884,827 A	12/1989	Kelley	
4,921,277 A	5/1990	McDonough	
5,000,484 A	3/1991	Phelan et al.	
5,135,125 A	8/1992	Andel et al.	
5,343,647 A	9/1994	Bulka	
5,366,249 A	11/1994	Diemert	
D360,827 S *	8/1995	Mats .....	D9/711
5,468,022 A	11/1995	Linder et al.	
5,490,658 A	2/1996	Coward et al.	
5,512,343 A	4/1996	Shaw	
5,540,358 A	7/1996	Wiles et al.	
5,560,657 A	10/1996	Morgan	
D382,343 S	8/1997	Wandell et al.	
5,976,014 A	11/1999	Petrick et al.	

**Related U.S. Application Data**

- (62) Division of application No. 29/345,313, filed on Oct. 14, 2009.
- (51) **LOC (9) Cl.** ..... **19-08**
- (52) **U.S. Cl.** ..... **D20/22**
- (58) **Field of Classification Search** ..... D20/10,  
D20/11, 19, 22-29, 40, 99; 40/124.01-124.09,  
40/124.11-124.19, 124.191, 299.01, 300,  
40/305, 306, 316, 359, 360, 541, 584, 625,  
40/630, 638, 652, 661, 666, 672, 675; D9/711;  
D24/189, 216; 29/525.01; 116/209; 209/349;  
215/303; 248/351; 251/10; 222/10.7; 283/56,  
283/71, 81, 100, 101, 1.3, 105, 106; 350/572.3;  
428/914

See application file for complete search history.

(56) **References Cited**

**U.S. PATENT DOCUMENTS**

1,432,249 A	10/1922	Hoyme
1,922,799 A	8/1933	Gaus
2,250,666 A	7/1941	Godefroy
2,690,624 A	10/1954	Phillips
2,930,570 A	3/1960	Leedy
3,781,120 A	12/1973	Engelhardt
3,994,085 A	11/1976	Groselak et al.

(Continued)

**OTHER PUBLICATIONS**

Co-pending U.S. Appl. No. 12/871,955, filed Aug. 21, 2010.

(Continued)

*Primary Examiner* — Mary Ann Calabrese  
(74) *Attorney, Agent, or Firm* — Dobrusin & Thennisch PC

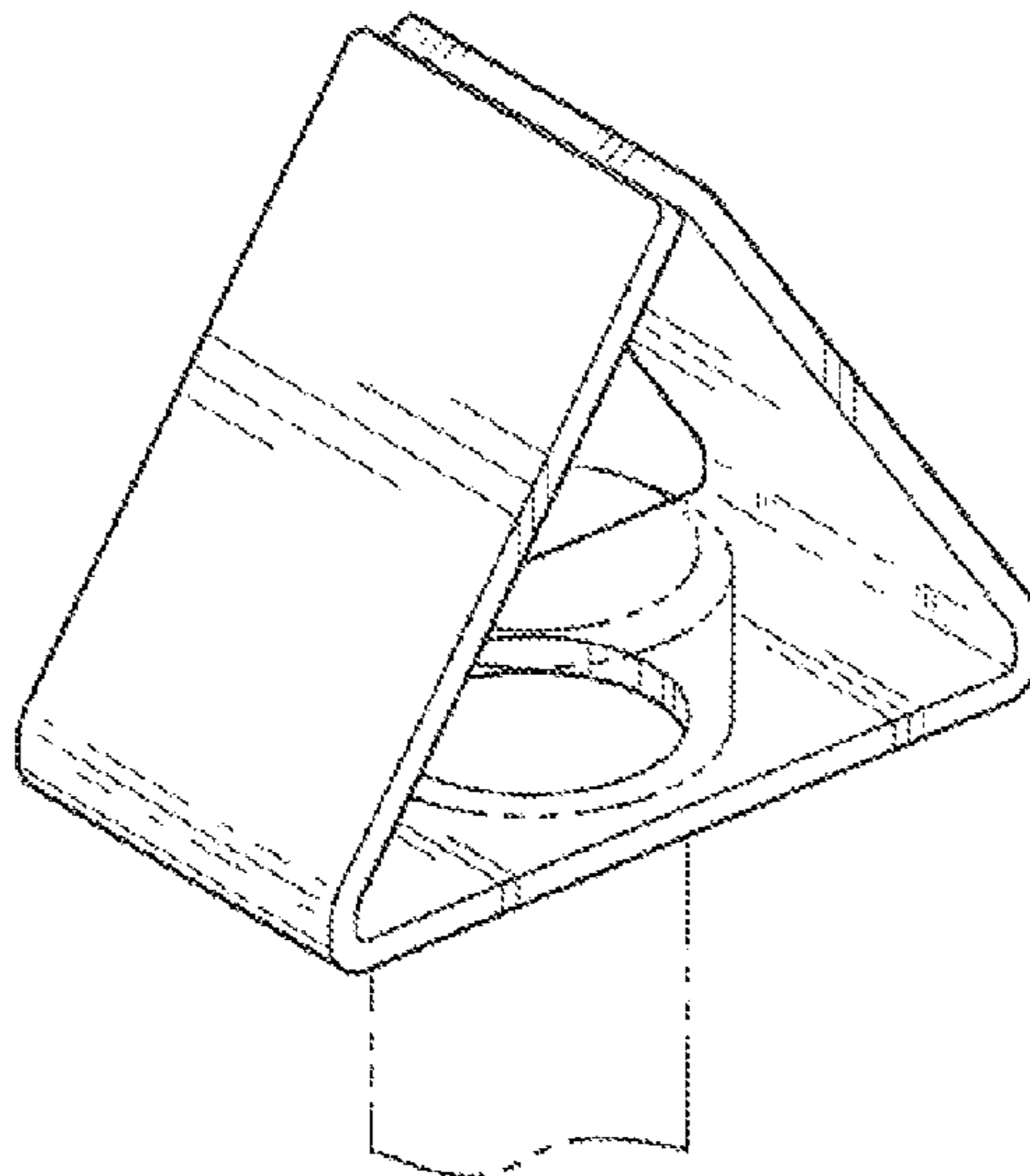
(57) **CLAIM**

The ornamental design for a blood sample tube label, as shown and described.

**DESCRIPTION**

FIG. 1 is a perspective view of the present invention.  
FIG. 2 is a top elevational view of FIG. 1.  
FIG. 3 is a bottom elevational view of FIG. 1.  
FIG. 4 is a side elevational view of FIG. 1, which is a mirror image of the other side; and,  
FIG. 5 is a rear elevational view of FIG. 1, which is a mirror image of the other side.

**1 Claim, 1 Drawing Sheet**



# US D637,234 S

Page 2

---

## U.S. PATENT DOCUMENTS

6,125,563 A 10/2000 Girerd  
6,128,840 A 10/2000 Boisvert  
6,177,163 B1 1/2001 Blok et al.  
6,196,593 B1\* 3/2001 Petrick et al. .... 283/81  
6,527,242 B1 3/2003 Kennedy  
6,560,847 B2 5/2003 Ohlsson  
6,581,973 B2 6/2003 Levine et al.  
6,860,513 B2 3/2005 Kaufman  
7,318,293 B2 1/2008 Ardern, II  
7,398,999 B2 7/2008 Kaufman  
7,419,832 B2 9/2008 Hunsley et al.

7,478,513 B2 1/2009 Baldwin  
7,767,460 B2 8/2010 Hunsley et al.  
D627,001 S \* 11/2010 de Niet ..... D20/22  
2001/0049895 A1 12/2001 Burke  
2002/0066216 A1 6/2002 DeLaCruz  
2009/0308303 A1 12/2009 Burlando  
2010/0167271 A1 7/2010 Ryan

## OTHER PUBLICATIONS

Co-pending Parent U.S. Appl. No. 29/345,313, filed Oct. 14, 2009.

\* cited by examiner

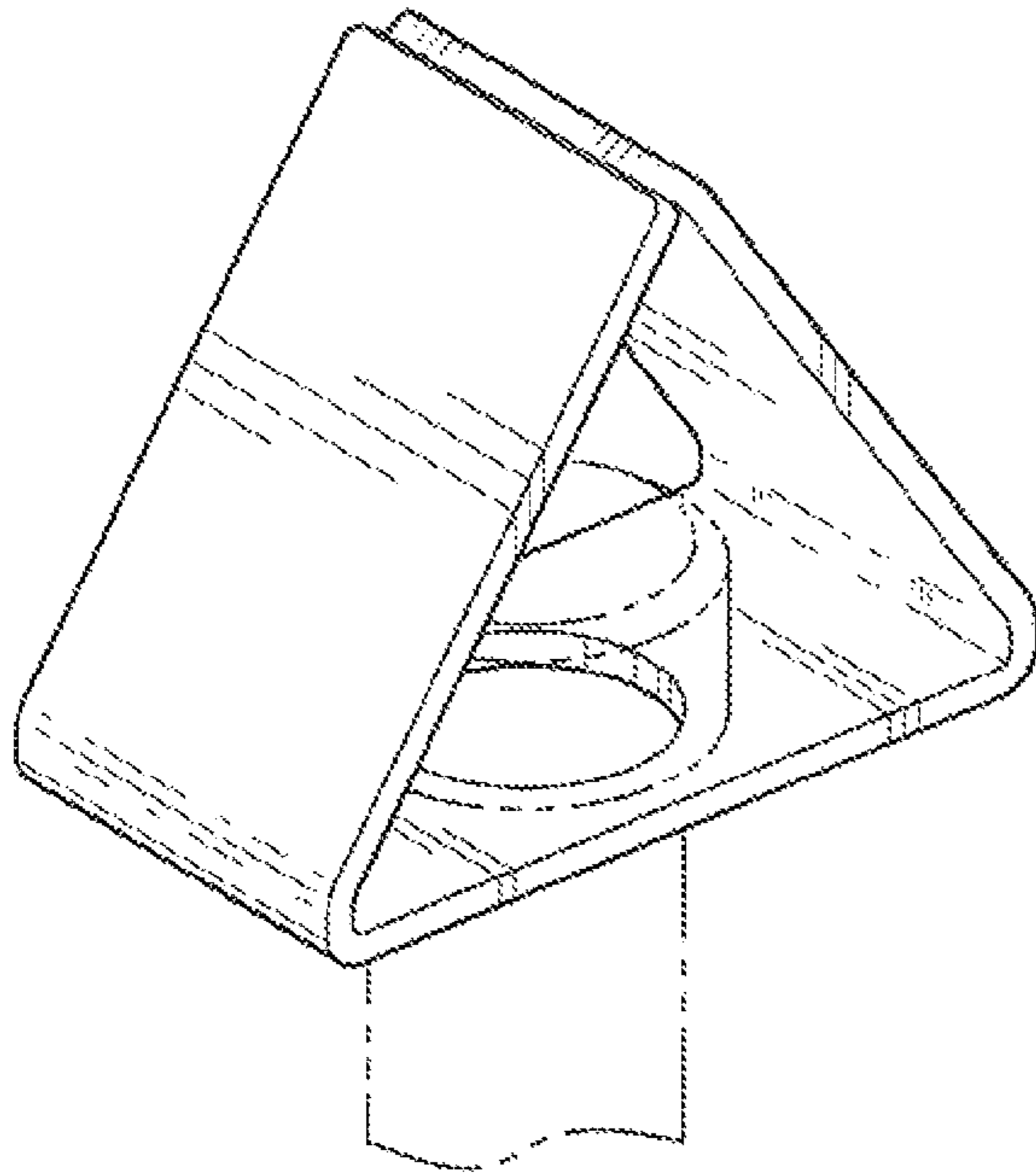


Fig-1

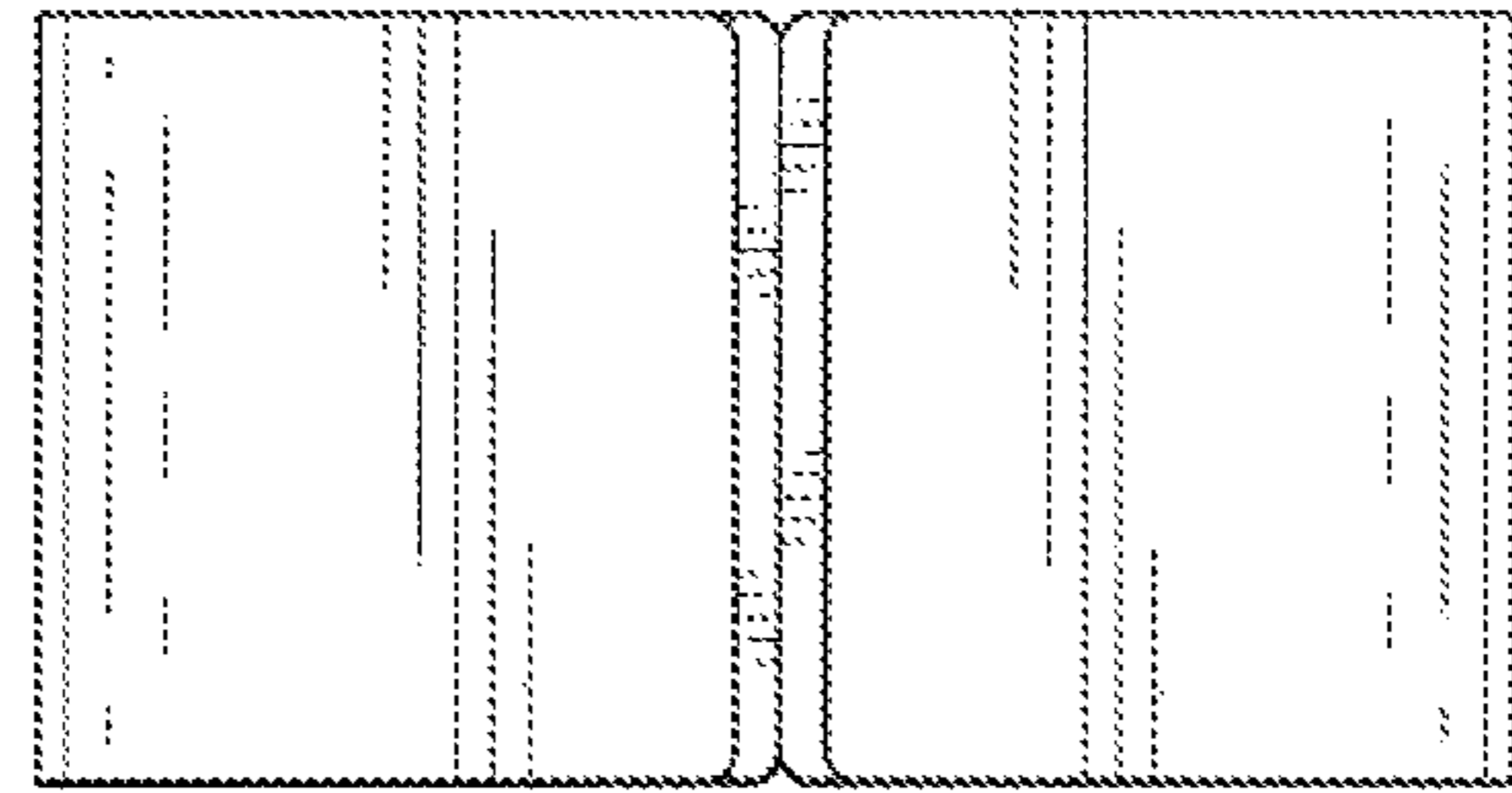


Fig-2

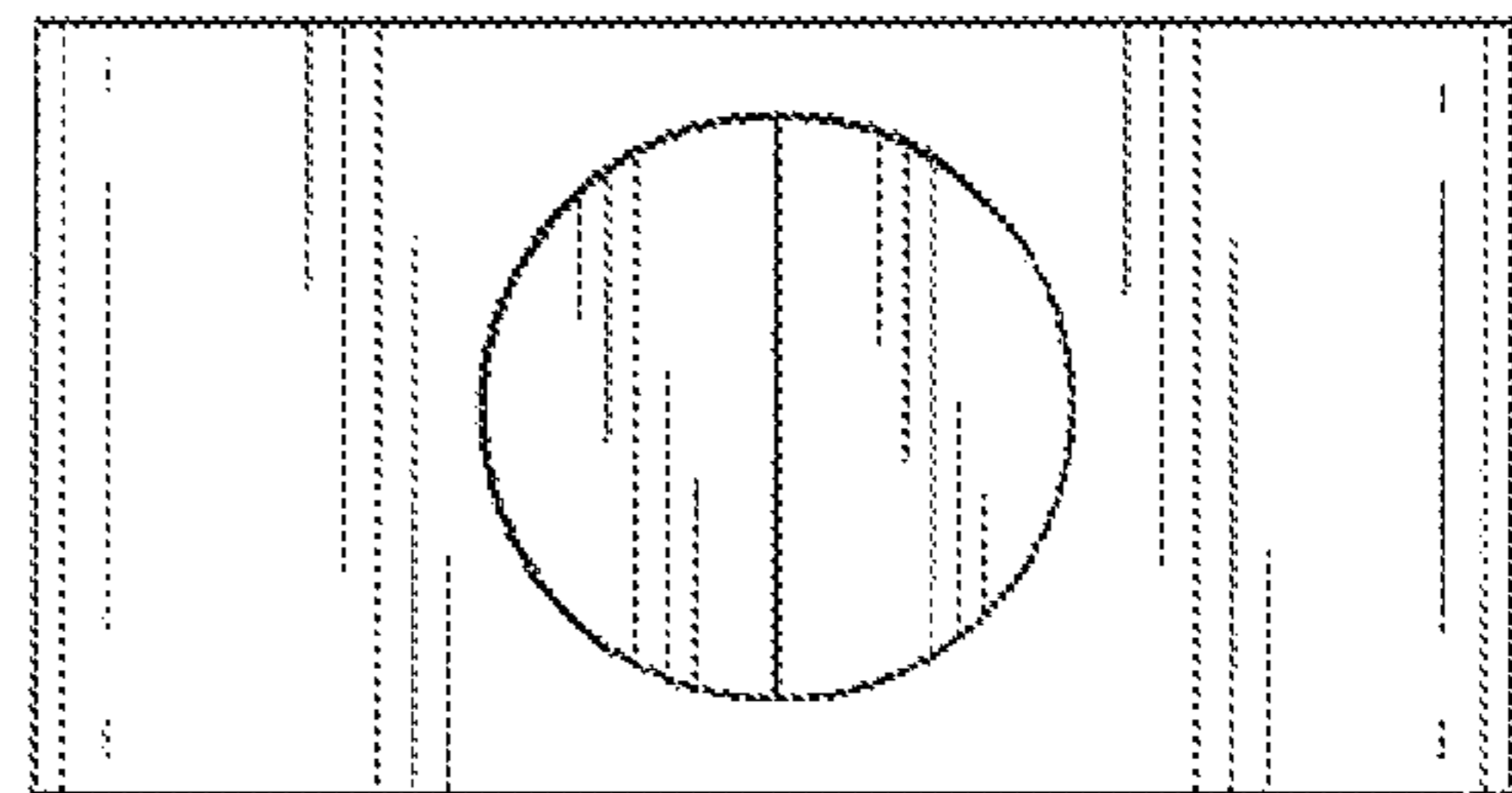


Fig-3

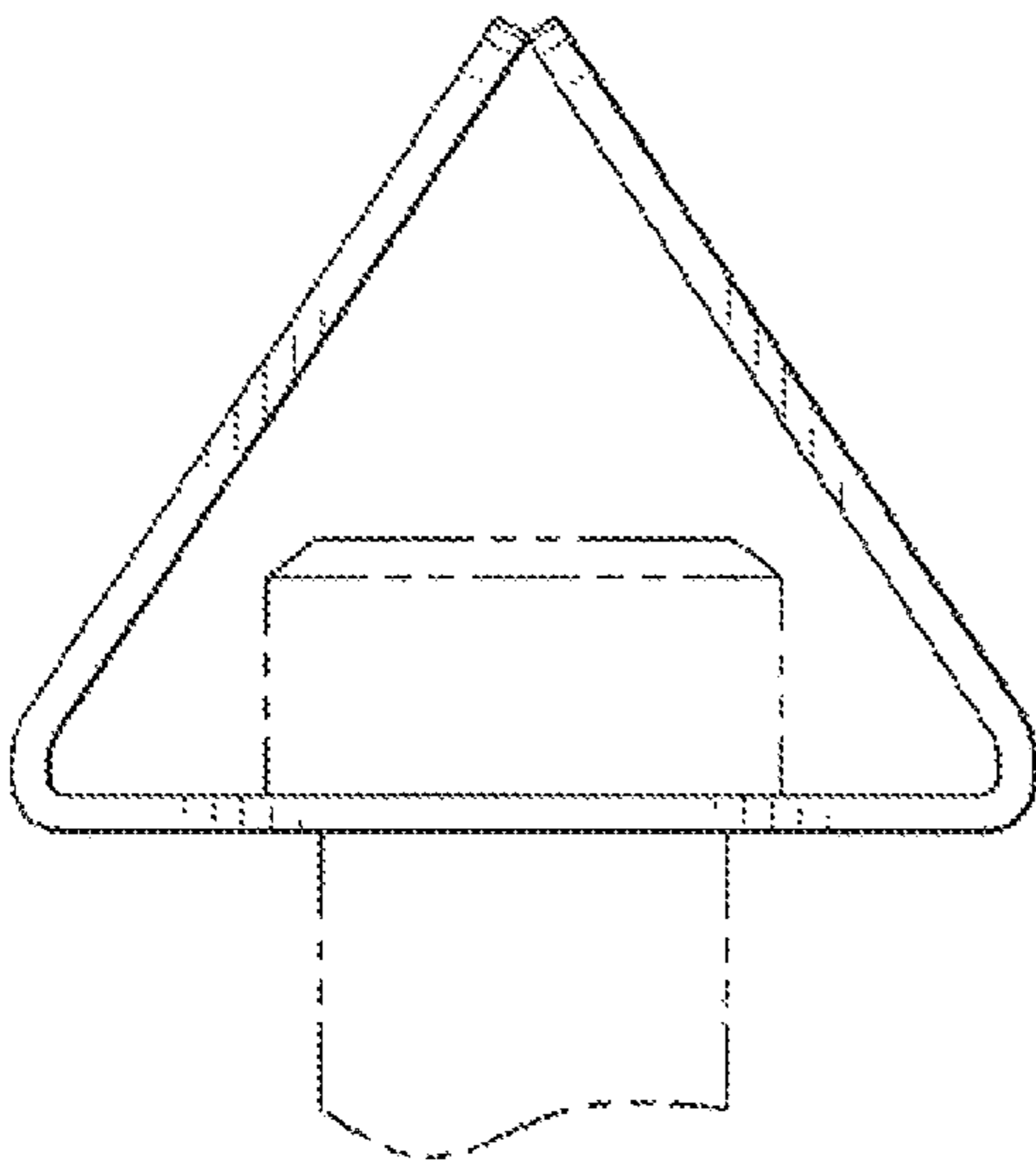


Fig-4

Fig-5

