



US00D637233S

(12) **United States Design Patent**  
**Wu**

(10) **Patent No.:** **US D637,233 S**

(45) **Date of Patent:** **\*\* May 3, 2011**

(54) **DESKTOP HOLDER**

(76) Inventor: **Fan Chuang Wu**, Guangzhou (CN)

(\*\*) Term: **14 Years**

(21) Appl. No.: **29/360,542**

(22) Filed: **Apr. 27, 2010**

(51) **LOC (9) Cl.** ..... **19-99**

(52) **U.S. Cl.** ..... **D19/99**

(58) **Field of Classification Search** ..... D9/625;  
D11/53, 55, 83, 136, 160; D19/75-83, 86-92,  
D19/95-100; D20/31, 32; D21/576, 622,  
D21/630, 631, 632, 659, 660; 206/214, 215,  
206/425, 457, 466, 477, 555; 446/391  
See application file for complete search history.

(56) **References Cited**

**U.S. PATENT DOCUMENTS**

D196,799 S *	11/1963	Oliver	.....	D21/577
D249,371 S *	9/1978	Salt et al.	.....	D21/630
D250,052 S *	10/1978	Salt et al.	.....	D21/630
D281,890 S *	12/1985	Routzong et al.	.....	D21/622
D285,545 S *	9/1986	Crouch	.....	D11/160
D304,054 S *	10/1989	Van Meter	.....	D21/627
D309,483 S *	7/1990	Leva	.....	D21/622
D313,572 S *	1/1991	Appenzeller	.....	D11/160
D334,340 S *	3/1993	Parrish et al.	.....	D9/617
D343,864 S *	2/1994	Rebong	.....	D19/36
D402,713 S *	12/1998	Baltozer et al.	.....	D21/622
D402,714 S *	12/1998	Angelora et al.	.....	D21/622
D415,801 S *	10/1999	Sisler	.....	D21/621
D420,065 S *	2/2000	Ashbridge	.....	D21/627
D435,484 S *	12/2000	Falco	.....	D11/160
D436,053 S *	1/2001	Falco	.....	D11/160
D436,327 S *	1/2001	Falco	.....	D11/160
D499,343 S *	12/2004	Chan	.....	D10/2
D522,592 S *	6/2006	Vela	.....	D21/622
D550,788 S *	9/2007	Scully	.....	D21/630

\* cited by examiner

*Primary Examiner* — Elizabeth A Albert

(74) *Attorney, Agent, or Firm* — Seed IP Law Group PLLC

(57) **CLAIM**

The ornamental design for a desktop holder, as shown and described.

**DESCRIPTION**

A portion of the disclosure of this patent document contains material to which a claim for copyright is made. The copyright owner has no objection to the facsimile reproduction by anyone of the patent document or the patent disclosure, as it appears in the Patent and Trademark Office patent file or records, but reserves all other copyrights whatsoever.

FIG. 1 is a top, front perspective view of an embodiment of a desktop holder showing one embodiment of my claimed design.

FIG. 2 is an exploded, top, front perspective view thereof.

FIG. 3 is a front elevational view of the design of FIG. 1.

FIG. 4 is a rear elevational view thereof.

FIG. 5 is a right side elevational view thereof.

FIG. 6 is a left side elevational view thereof.

FIG. 7 is a top plan view thereof.

FIG. 8 is a bottom plan thereof.

FIG. 9 is a top plan view of a desktop holder showing yet another embodiment.

FIG. 10 is a bottom plan view thereof.

FIG. 11 is a right side elevational view thereof.

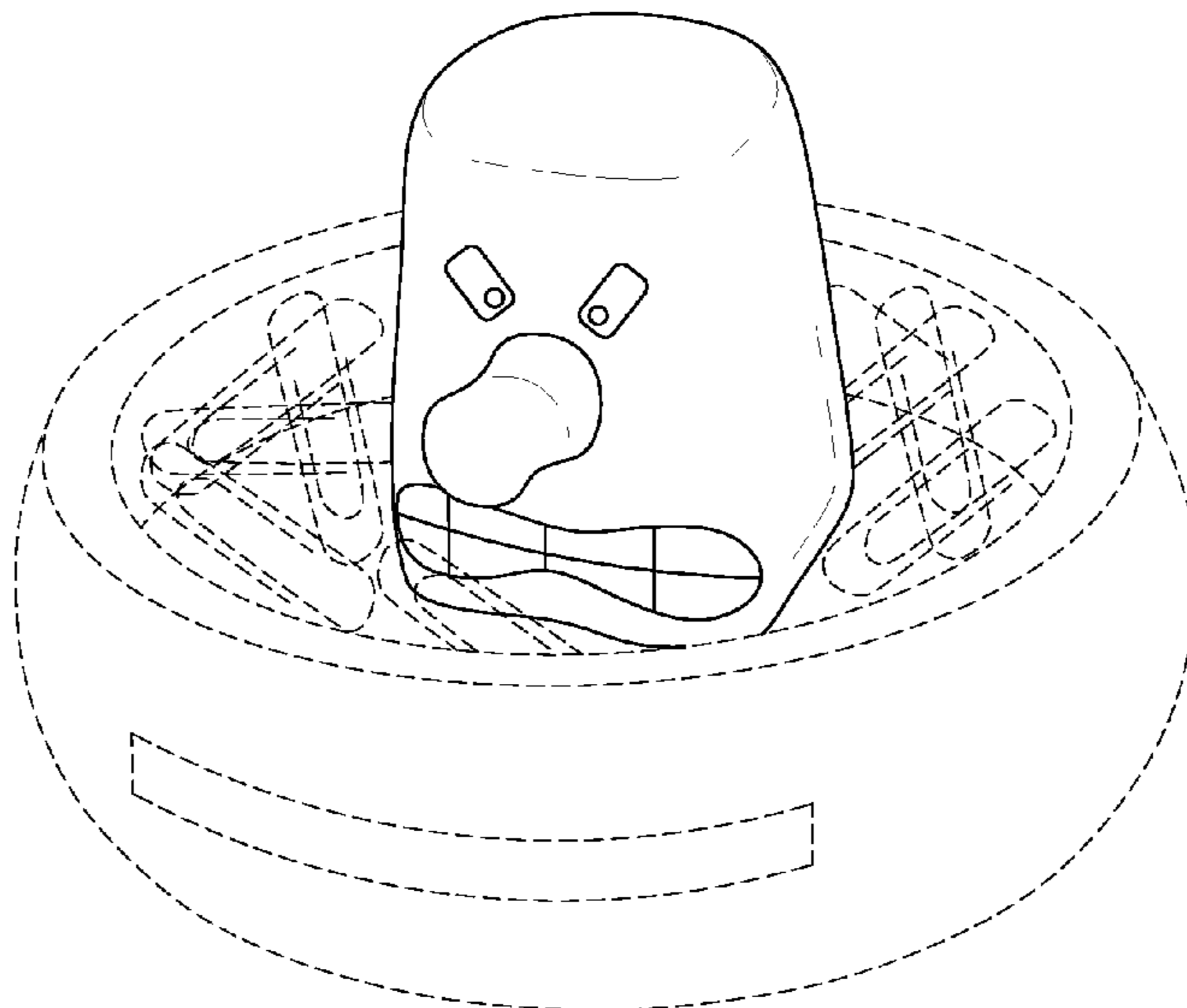
FIG. 12 is a left side elevational view thereof.

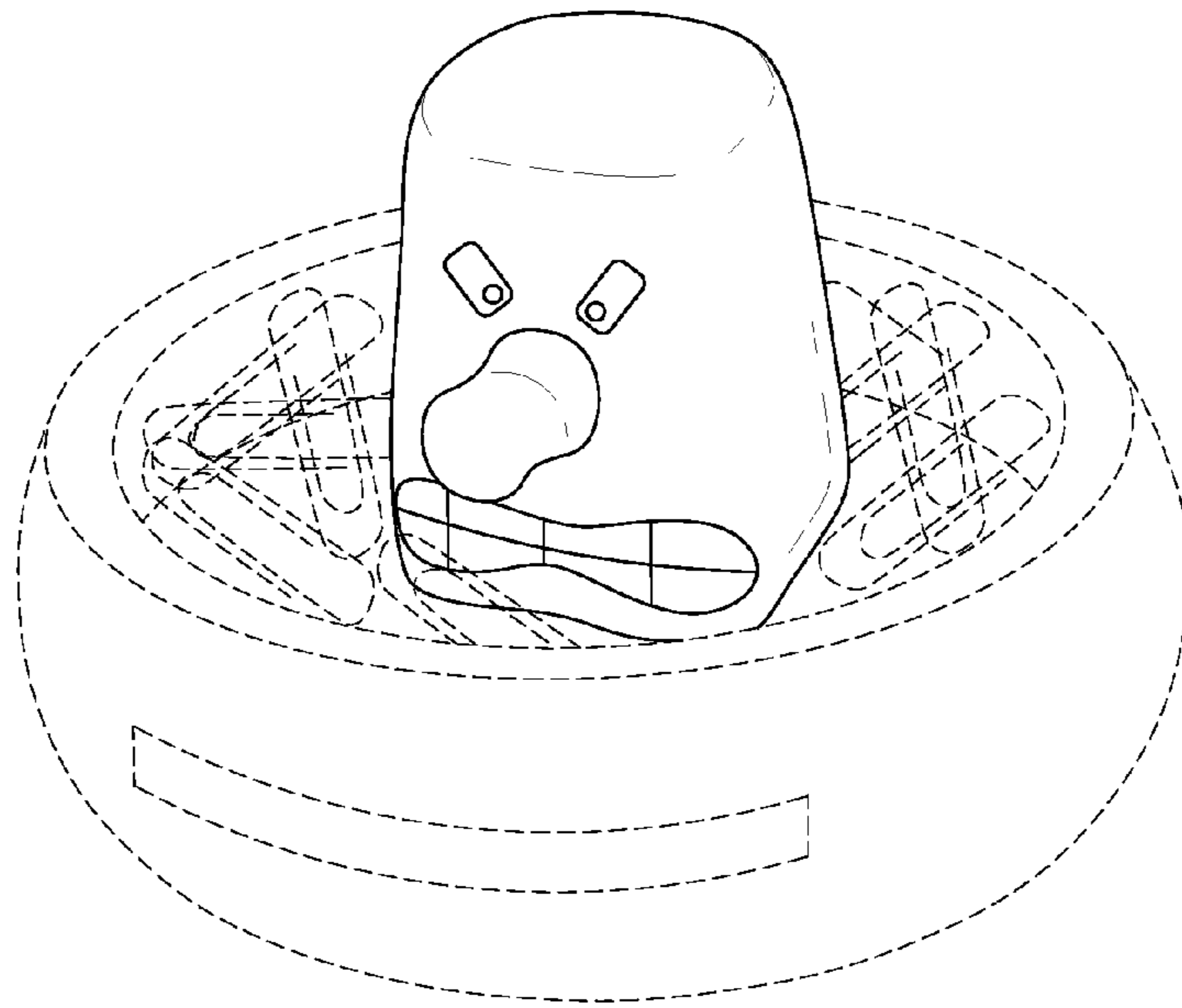
FIG. 13 is a front elevational view thereof; and,

FIG. 14 is a rear elevational view thereof.

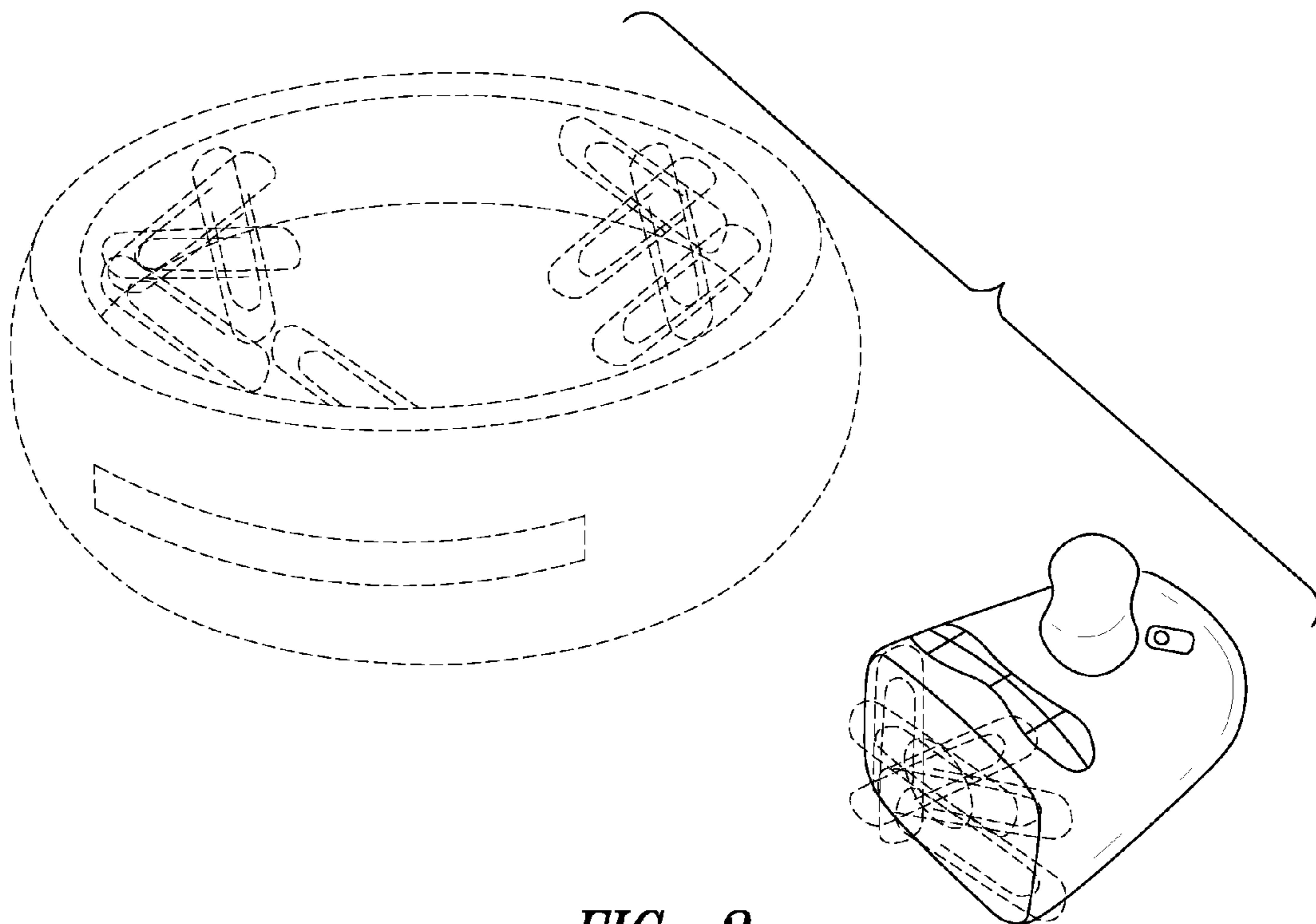
The broken lines in the drawings showing paper clips, a container, bookends, cords around the neck and the lower part of the figure are included to show features that form no part of the claimed design.

**1 Claim, 8 Drawing Sheets**

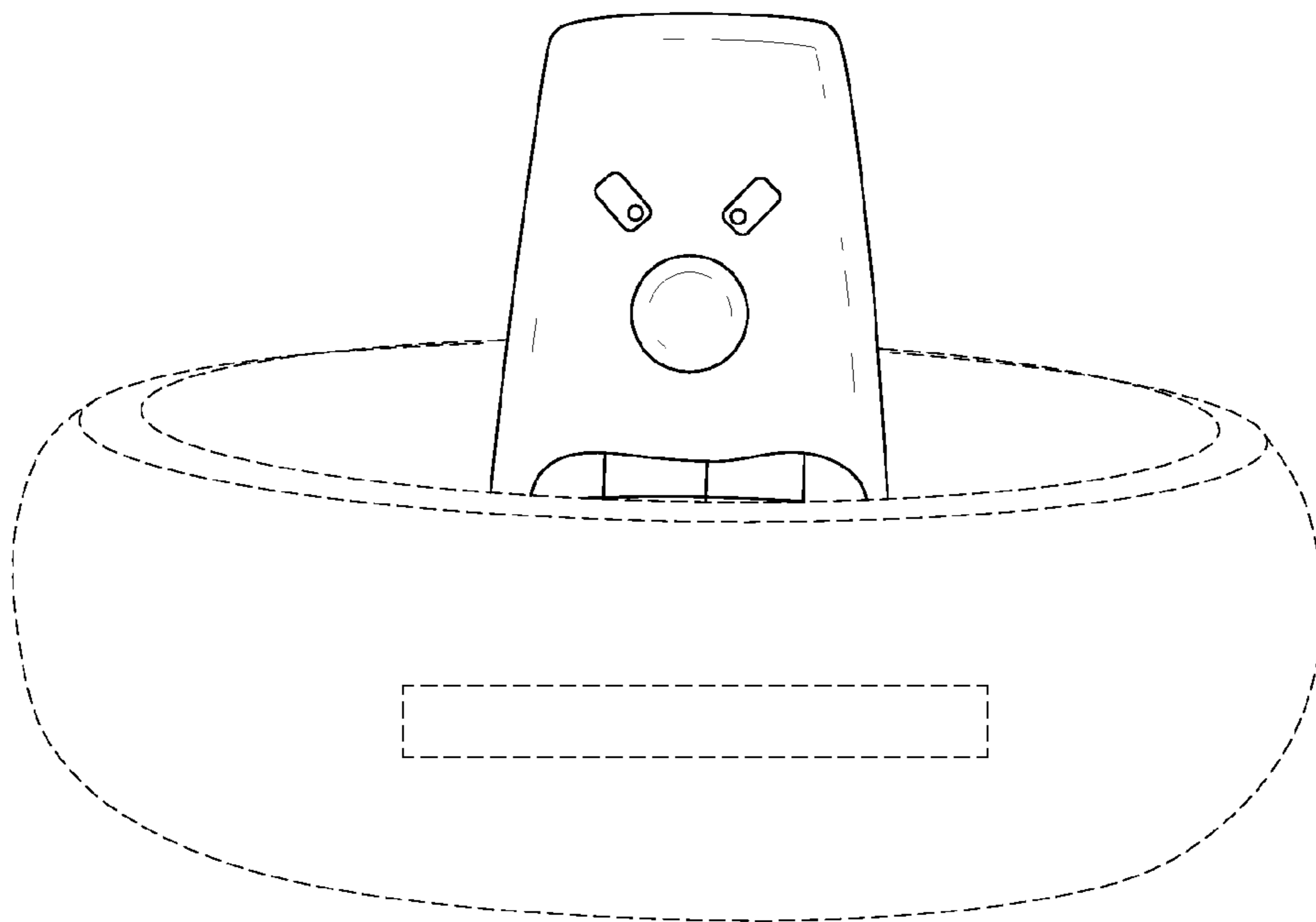




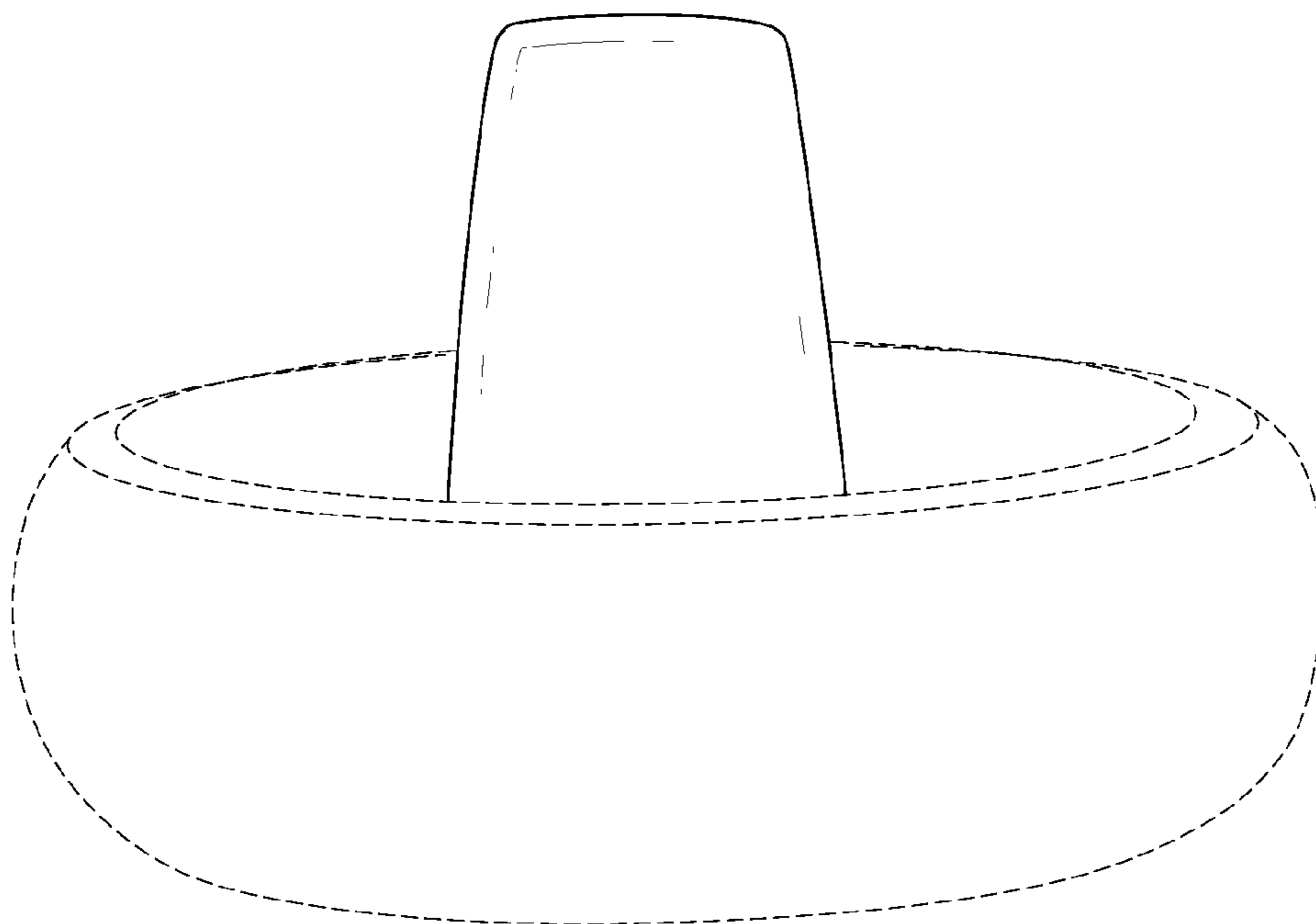
*FIG. 1*



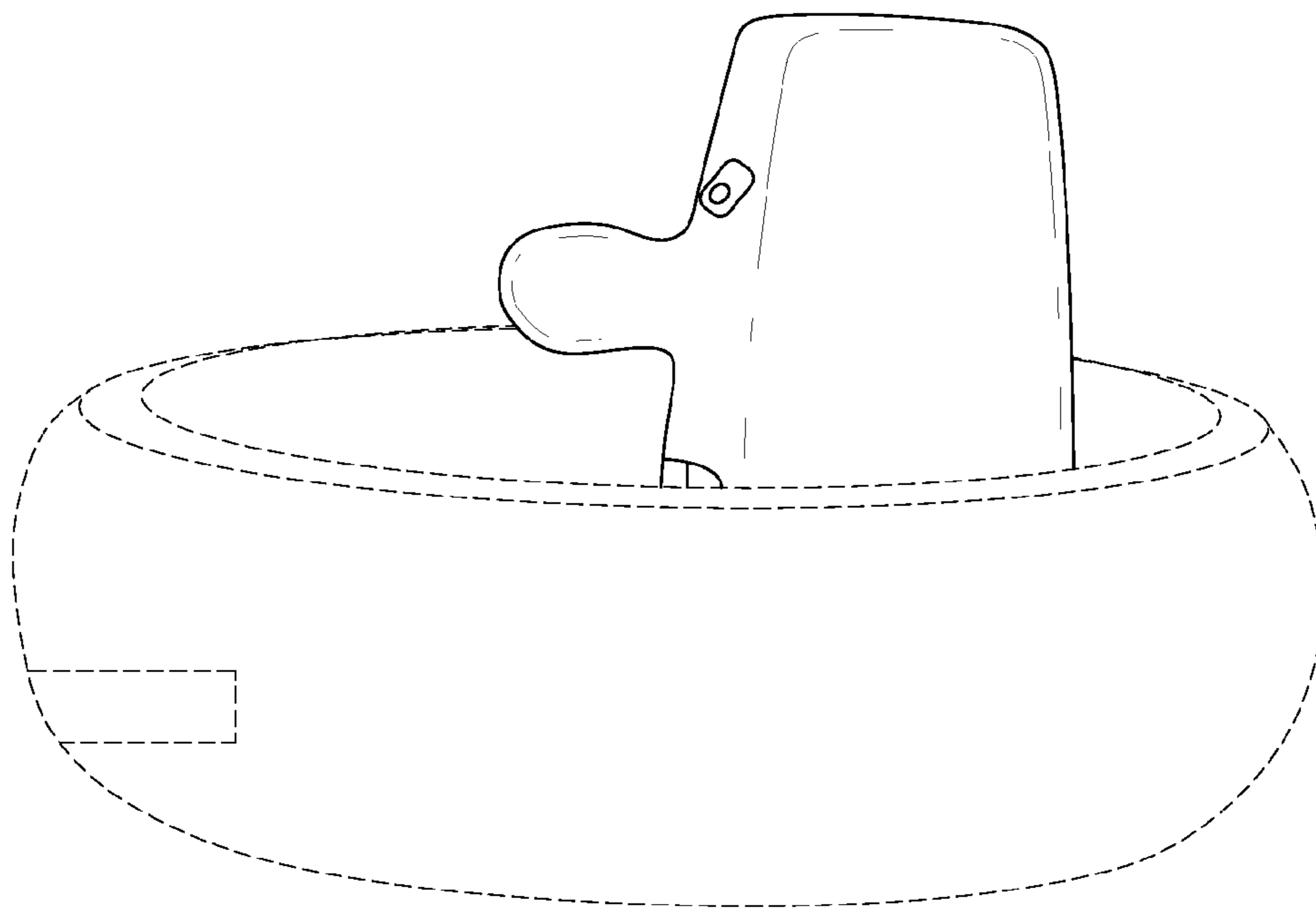
*FIG. 2*



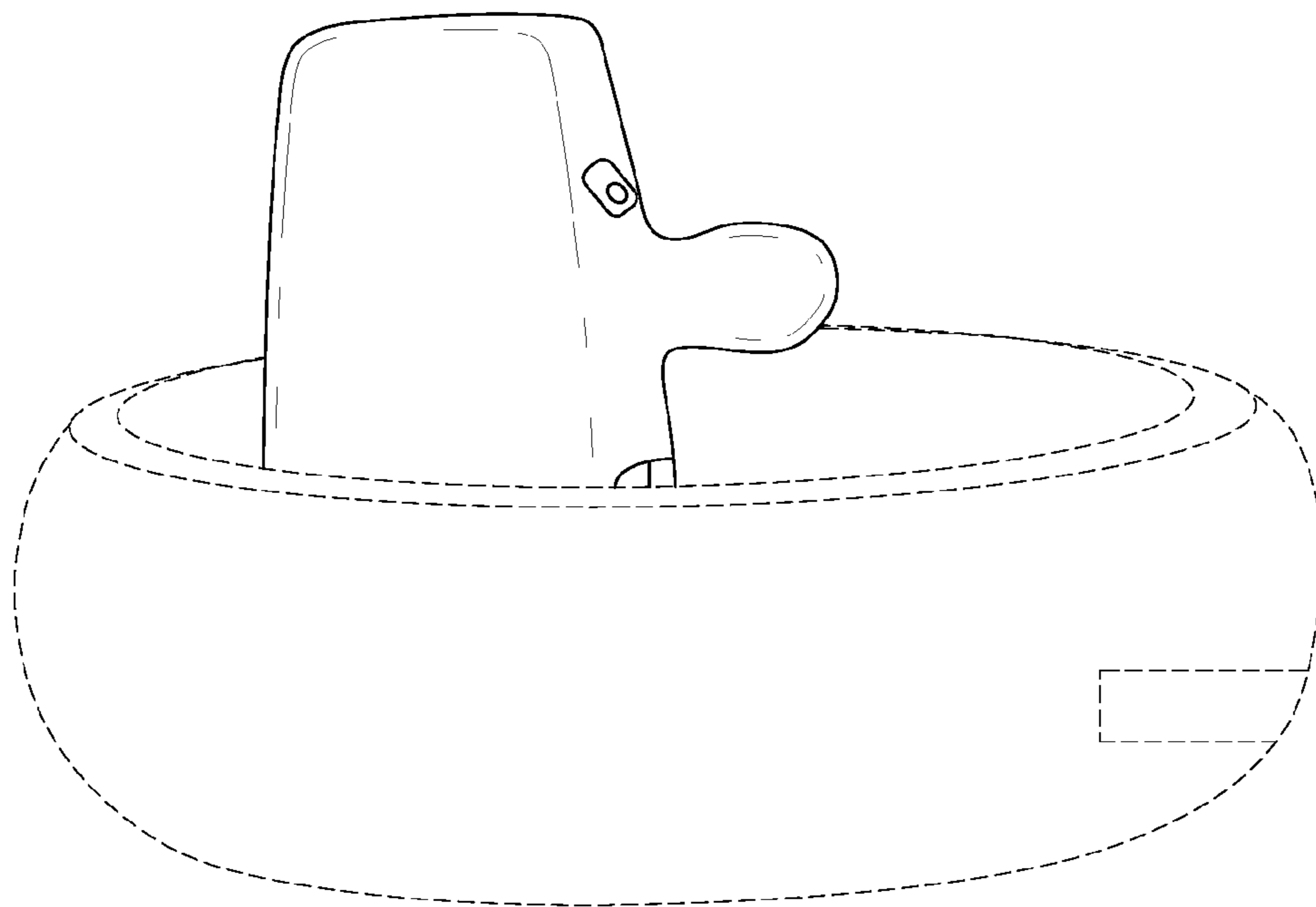
*FIG. 3*



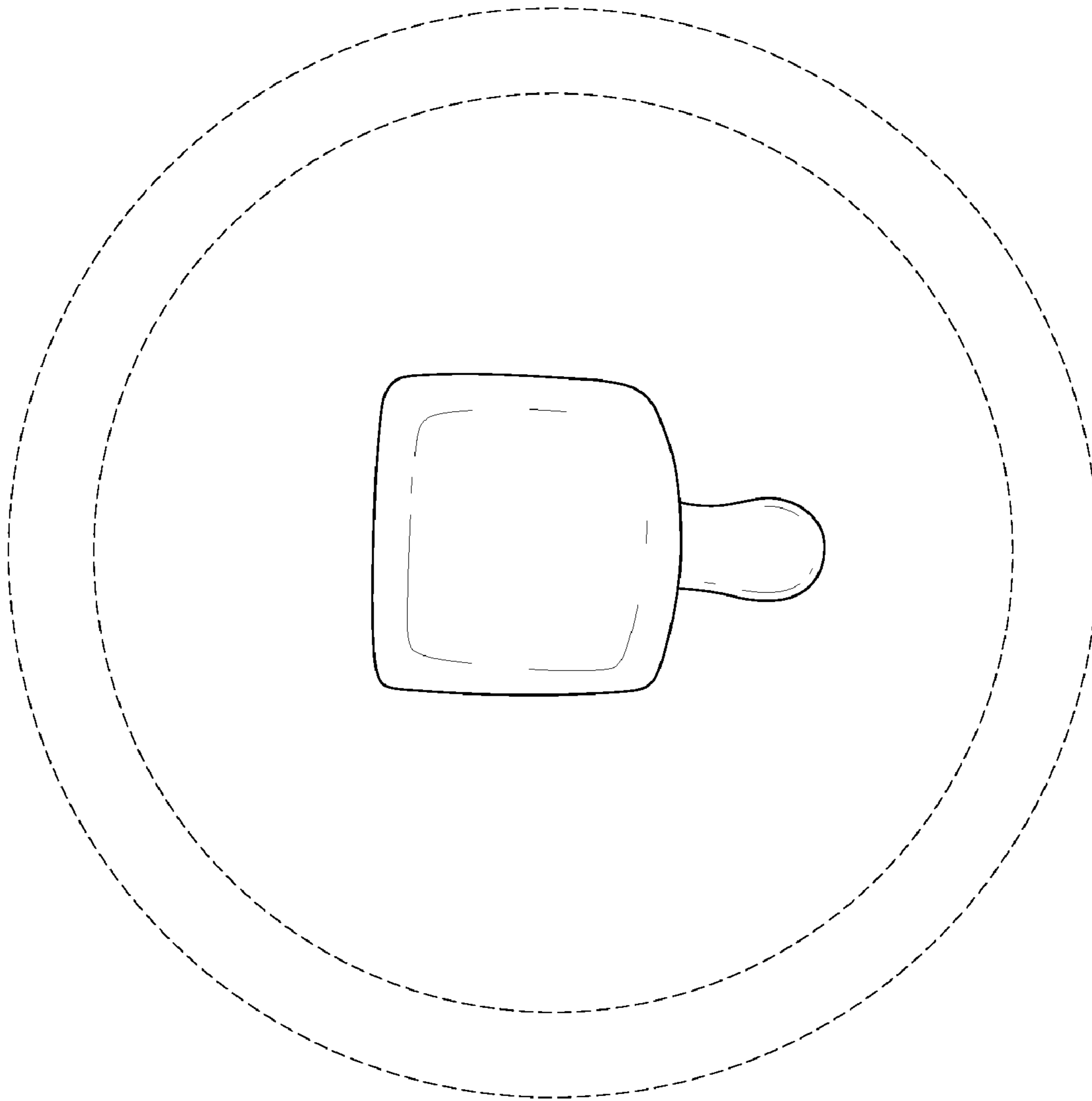
*FIG. 4*



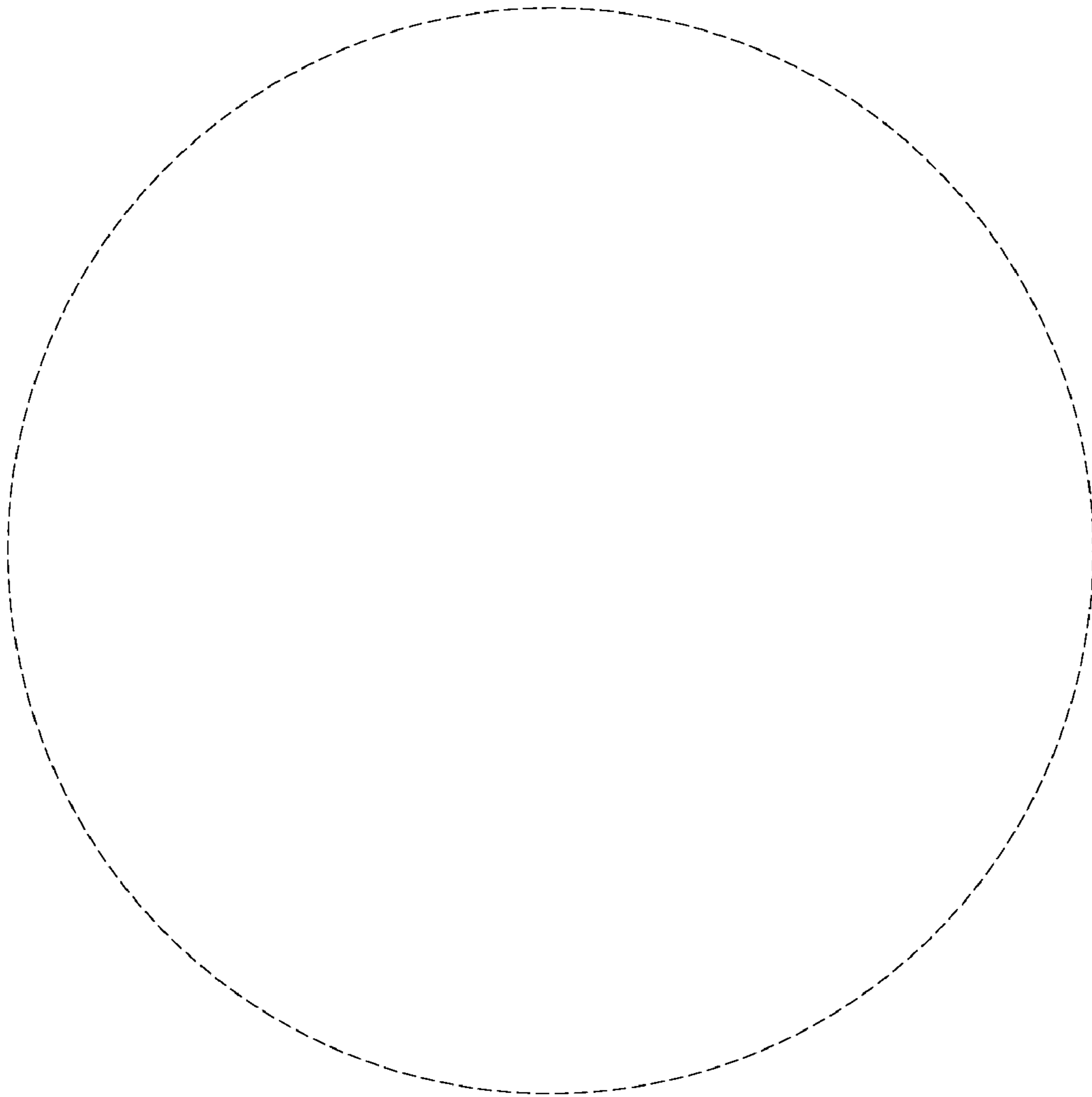
*FIG. 5*



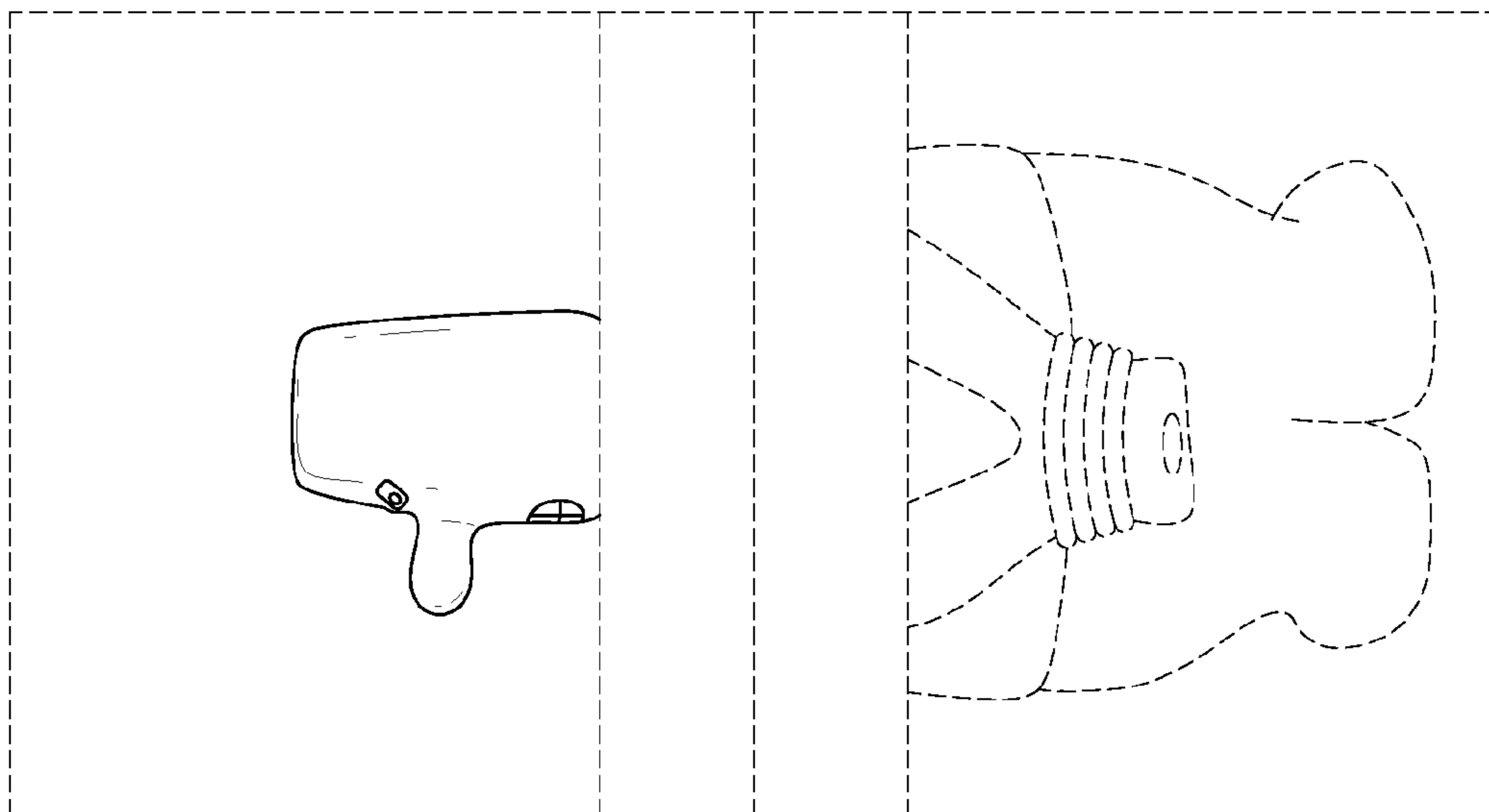
*FIG. 6*



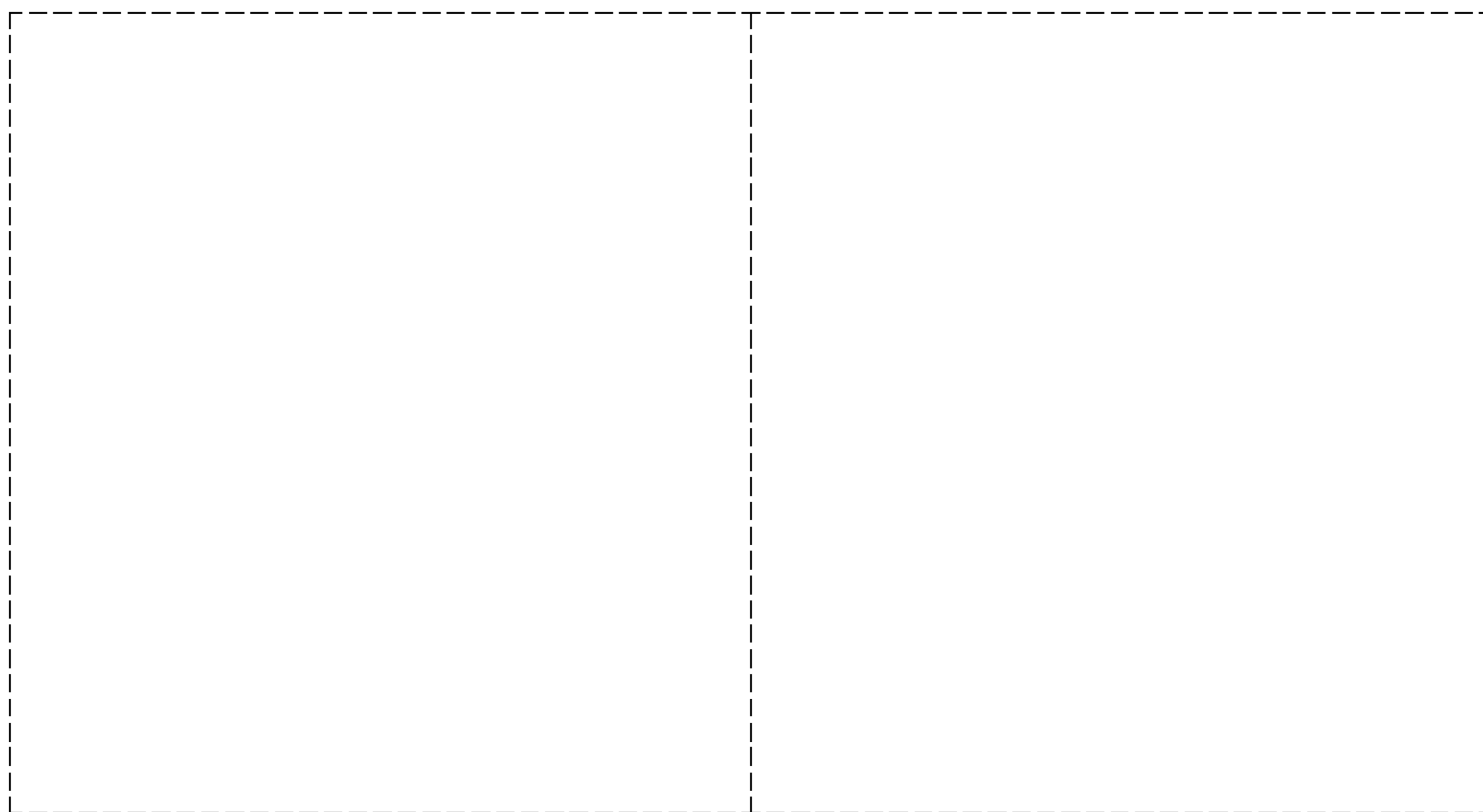
*FIG. 7*



*FIG. 8*

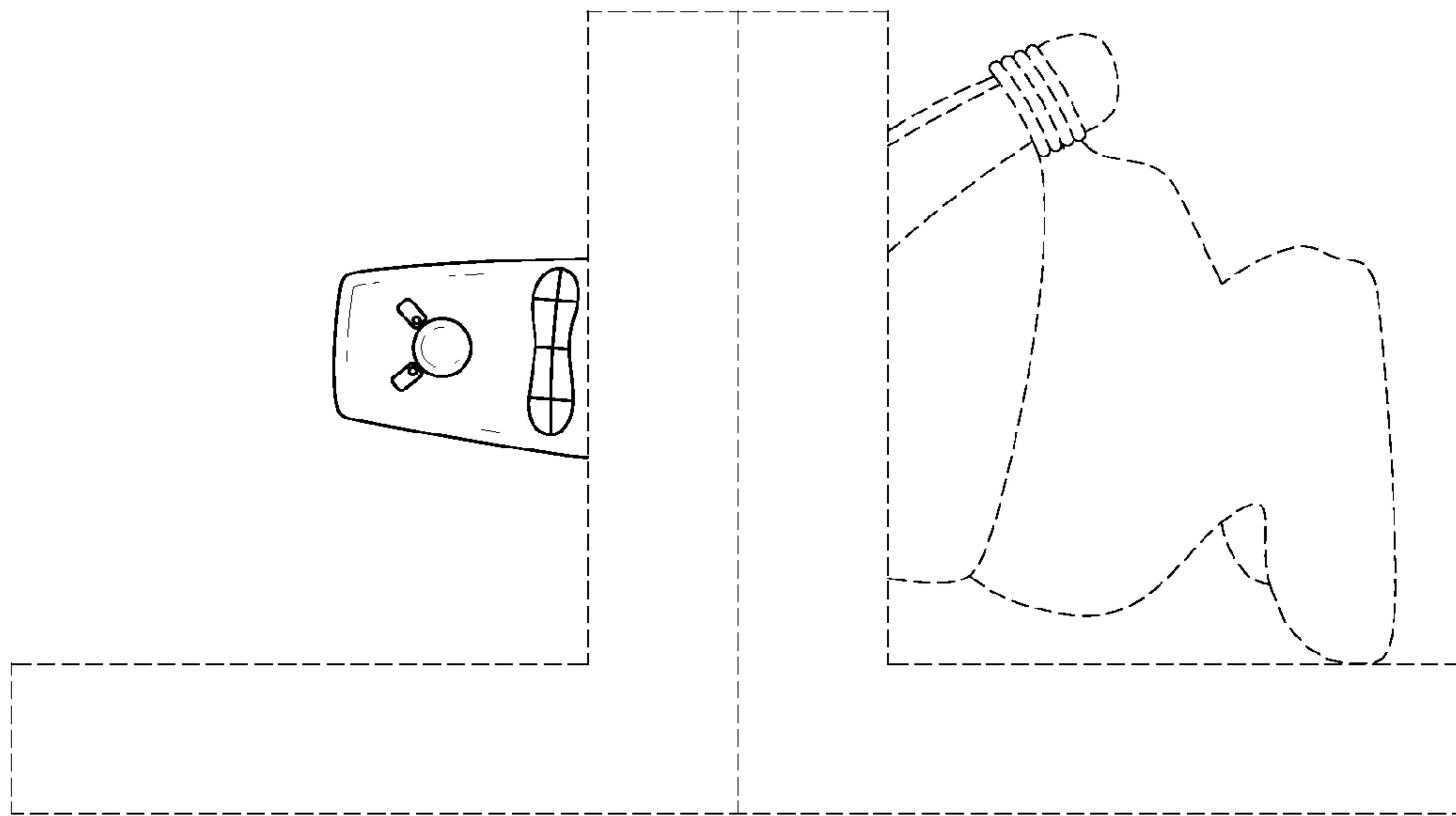


*FIG. 9*

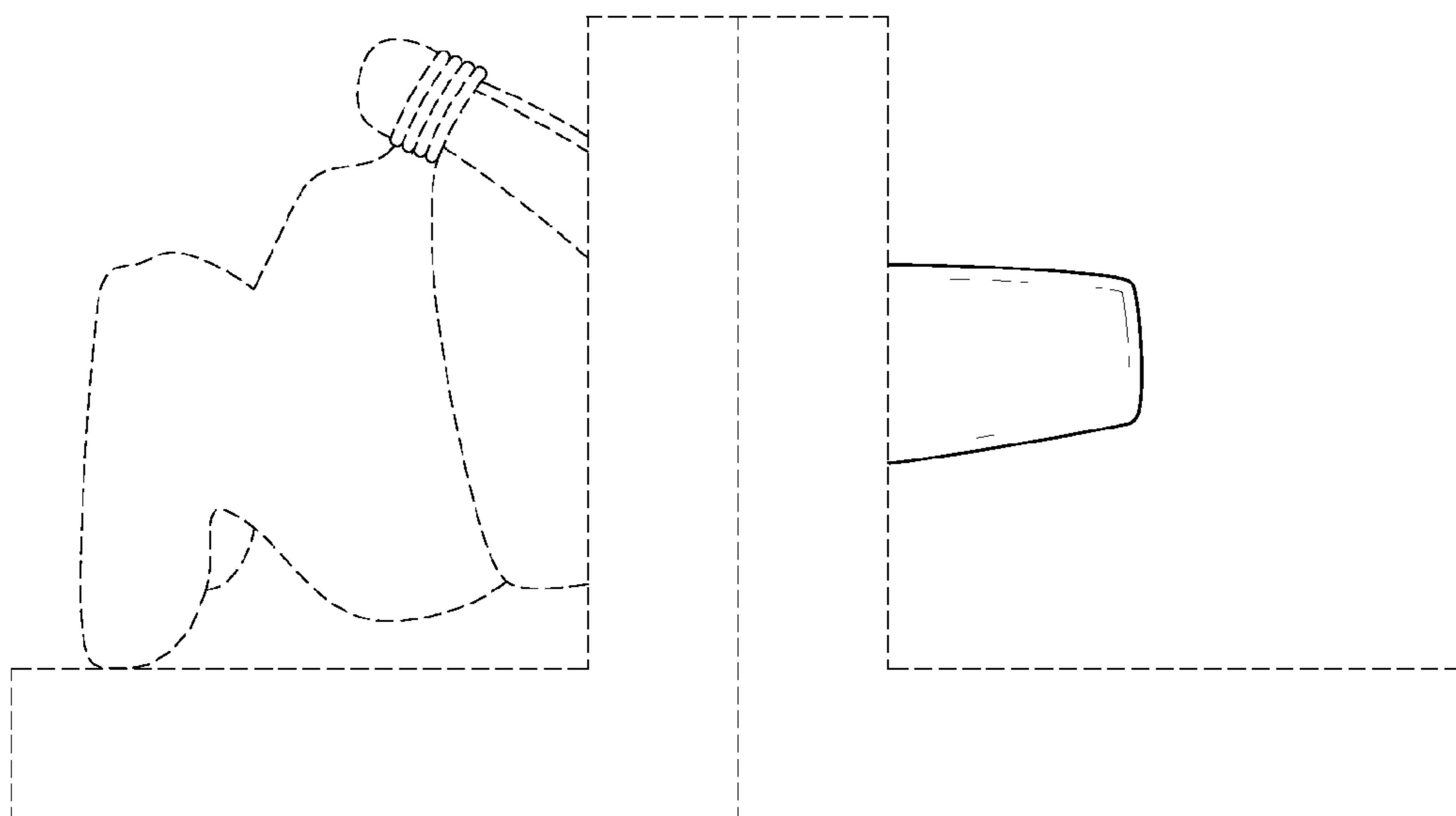


*FIG. 10*



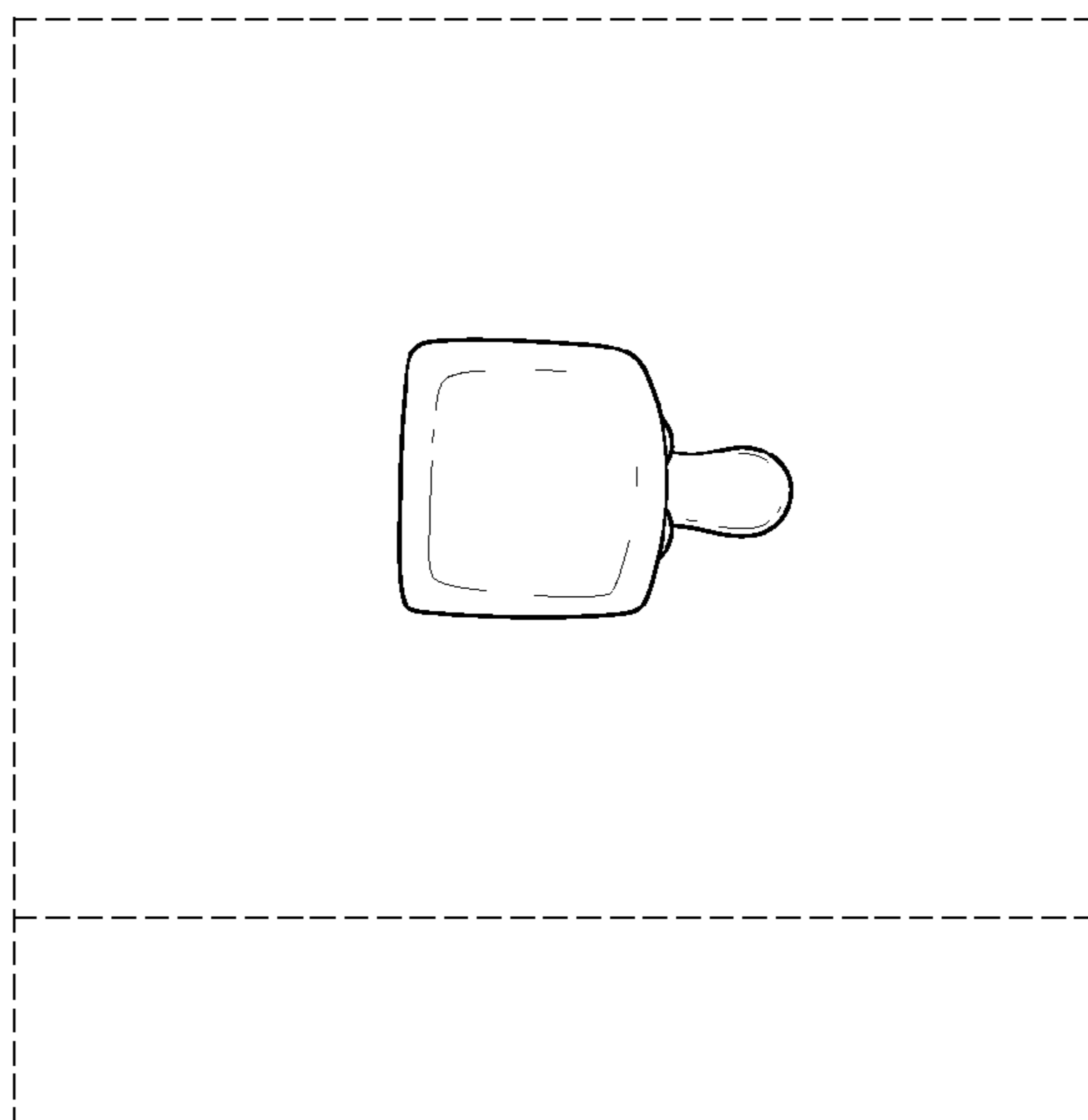


*FIG. 11*

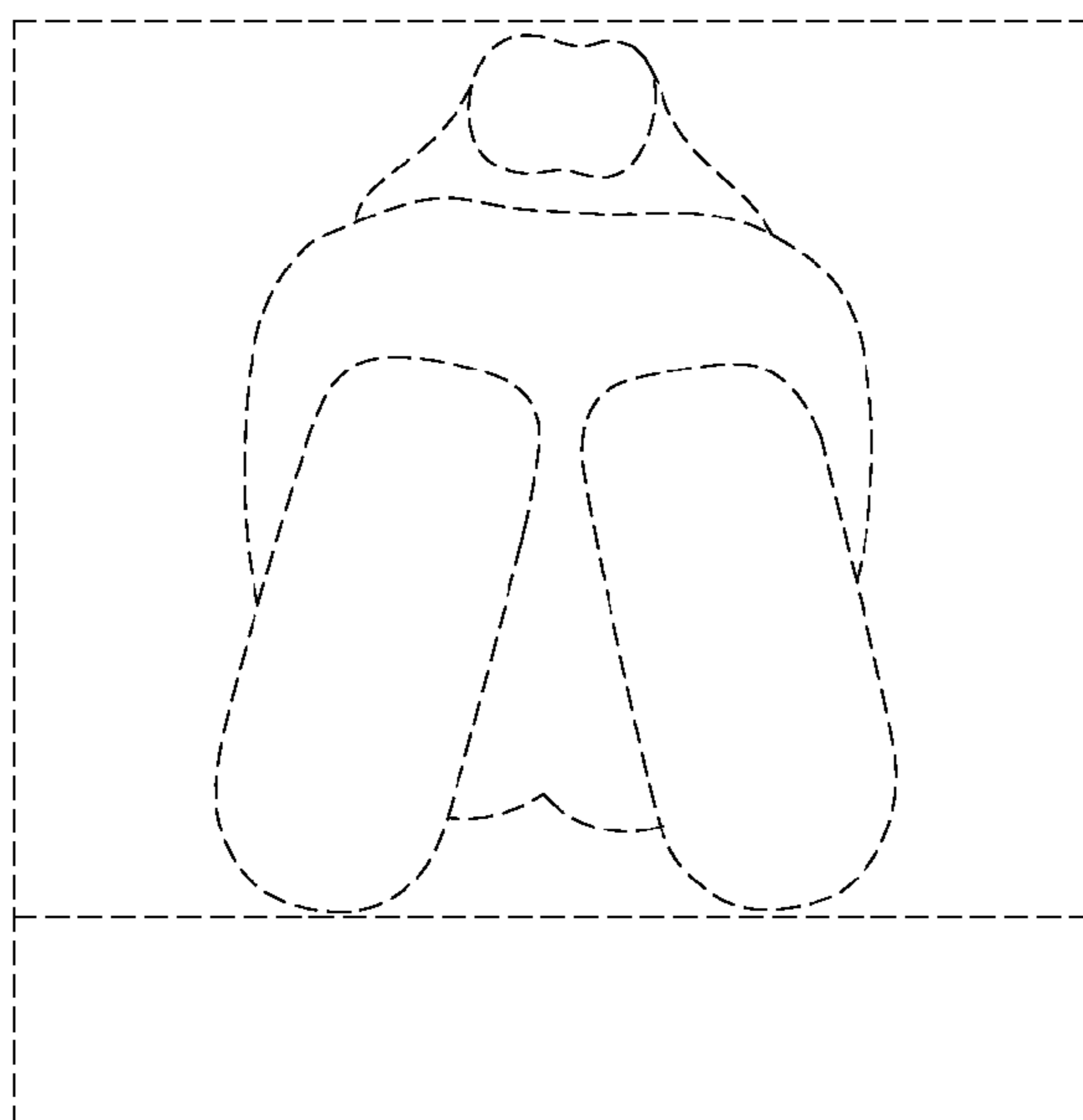


*FIG. 12*





*FIG. 13*



*FIG. 14*