



US00D637232S

(12) **United States Design Patent**
Ringl

(10) **Patent No.:** **US D637,232 S**

(45) **Date of Patent:** **** May 3, 2011**

(54) **BUSINESS CARD BOX**

(76) Inventor: **Walter Ringl**, Marchtrenk (AT)

(**) Term: **14 Years**

(21) Appl. No.: **29/316,489**

(22) Filed: **Oct. 2, 2009**

(30) **Foreign Application Priority Data**

Apr. 6, 2009 (EM) 001118418-0001

Aug. 7, 2009 (EM) RCD 1599101

(51) **LOC (9) Cl.** **19-02**

(52) **U.S. Cl.** **D19/86**

(58) **Field of Classification Search** D3/247,
D3/273, 294; D6/449, 512, 553, 632, 634,
D6/635; D19/75-83, 86-92, 95-100; 206/39,
206/39.4, 39.5, 214, 425, 555; 211/88.01;
221/60, 232, 259; 312/243

See application file for complete search history.

(56) **References Cited**

U.S. PATENT DOCUMENTS

338,235	A *	3/1886	Mullins	16/403
406,965	A *	7/1889	Stovel et al.	221/4
417,166	A *	12/1889	Geisenheimer	206/39.4
1,018,283	A *	2/1912	Whallon	271/1
1,051,198	A *	1/1913	Collins	206/39.6
1,052,344	A *	2/1913	Ipsen	221/36
1,173,843	A *	2/1916	Morton	206/39.3
1,213,816	A *	1/1917	Ballentine	206/39.3
1,537,244	A *	5/1925	McCaghren	206/39.3
3,108,734	A *	10/1963	Hewko	206/39
3,164,295	A *	1/1965	Shwarz	221/116
3,308,989	A *	3/1967	Alltop et al.	221/232
3,393,831	A *	7/1968	Stewart	221/232
3,421,658	A *	1/1969	Cooksey	221/307
3,456,869	A *	7/1969	Paulson	229/69
4,170,914	A *	10/1979	Carrier	83/580

4,792,058	A *	12/1988	Parker	221/232
D299,288	S *	1/1989	Stafford	D3/247
4,887,739	A *	12/1989	Parker	221/232
D314,865	S *	2/1991	Tuisku	D3/247
4,997,105	A *	3/1991	Fischer	221/45
5,217,056	A *	6/1993	Ritter	150/147
D346,960	S *	5/1994	Bennett	D9/418
D365,482	S *	12/1995	Larimore	D6/518
D375,015	S *	10/1996	Kobayashi et al.	D6/632
5,895,903	A *	4/1999	Abe et al.	235/380
D417,077	S *	11/1999	Sheu	D3/294
D417,091	S *	11/1999	Shirakami et al.	D6/407
D417,812	S *	12/1999	Rubin	D6/632
6,026,873	A *	2/2000	Van Geer	150/147
D423,273	S *	4/2000	Sankey et al.	D6/632

(Continued)

FOREIGN PATENT DOCUMENTS

WO DM/059903 * 4/2002

Primary Examiner — Elizabeth A Albert

(74) *Attorney, Agent, or Firm* — Horst M. Kasper

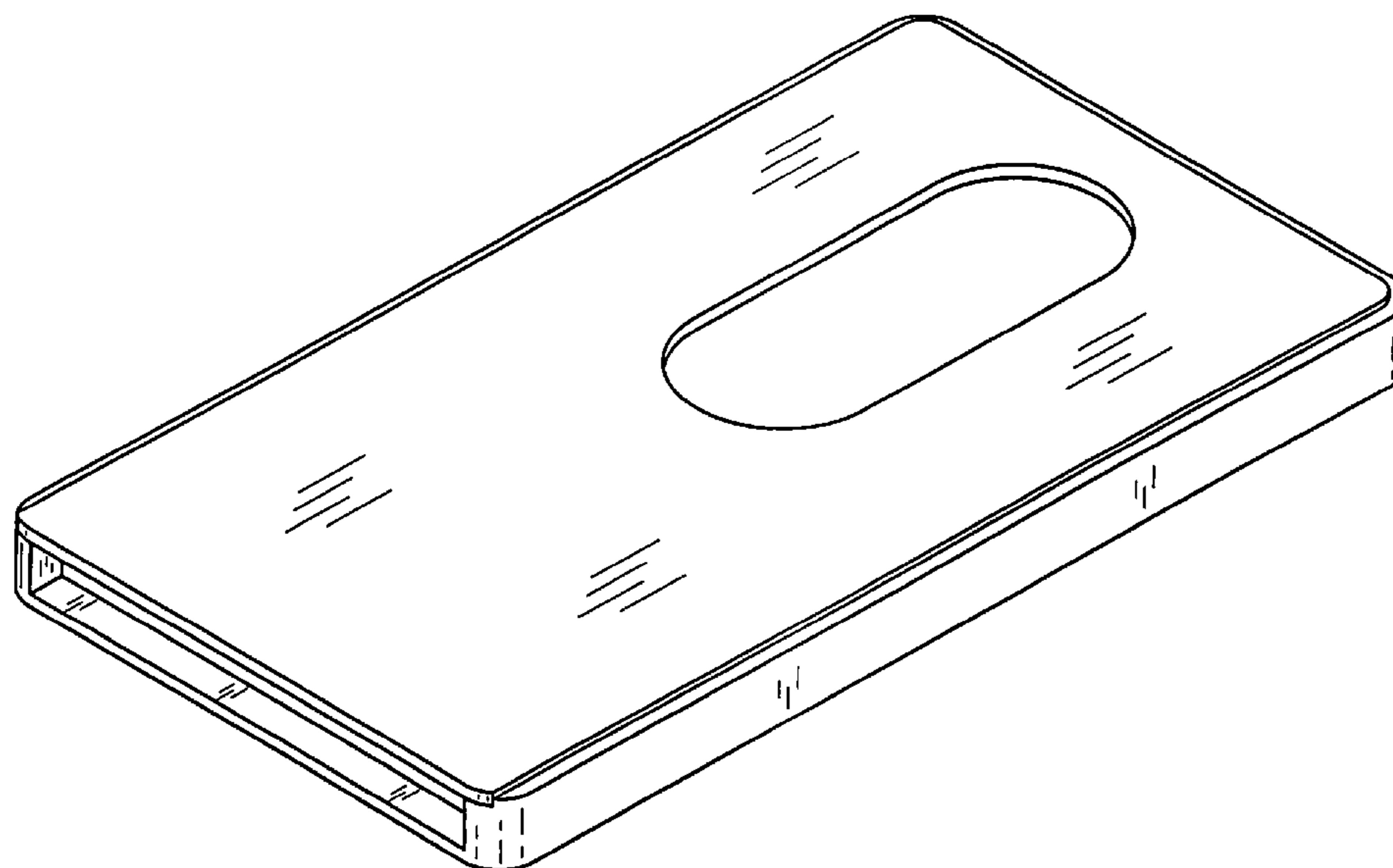
(57) **CLAIM**

The ornamental design for a business card box, as shown and described.

DESCRIPTION

FIG. 1 is a front perspective view of business card box;
 FIG. 2 is another front perspective view thereof showing where the detail view is taken;
 FIG. 3 is a detail view of a portion of FIG. 2;
 FIG. 4 is a front elevational view thereof;
 FIG. 5 is a rear elevational view thereof;
 FIG. 6 is a left side elevational view thereof;
 FIG. 7 is a right side elevational view thereof;
 FIG. 8 is a top plan view thereof; and,
 FIG. 9 is a bottom plan view thereof.
 The broken lines showing the circles of the detail view in FIGS. 2 and 3 form no part of the claimed design.

1 Claim, 5 Drawing Sheets



US D637,232 S

Page 2

U.S. PATENT DOCUMENTS

6,050,449	A *	4/2000	Kanj	221/232	D520,291	S *	5/2006	Nagata et al.	D6/631
D423,772	S *	5/2000	Cooper et al.	D3/218	D528,297	S *	9/2006	Feldmann et al.	D3/273
6,082,581	A *	7/2000	Anderson et al.	221/232	D541,964	S *	5/2007	Tseng	D26/51
D431,719	S *	10/2000	Mucarquer	D3/247	D546,674	S *	7/2007	Limber	D3/294
D432,341	S *	10/2000	Shimbo et al.	D6/515	D575,506	S *	8/2008	Huang	D3/247
D435,340	S *	12/2000	Kojoori	D3/250	D586,557	S *	2/2009	Jalet	D3/294
6,155,410	A *	12/2000	Davis	206/39.5	D588,000	S *	3/2009	Goetz et al.	D9/434
D452,045	S *	12/2001	Ferber	D28/61	D606,308	S *	12/2009	Cheng-Wei	D3/294
D473,376	S *	4/2003	Abate	D3/294	D610,200	S *	2/2010	Liang	D19/86
D484,542	S *	12/2003	Hassell	D19/75	D615,078	S *	5/2010	Bradley	D14/250
6,782,998	B2 *	8/2004	Koren	206/39	D619,805	S *	7/2010	Leung	D3/238
D502,041	S *	2/2005	Wynalda et al.	D6/632	2002/0117243	A1 *	8/2002	Koren	150/147
D509,654	S *	9/2005	Miller	D3/247					

* cited by examiner

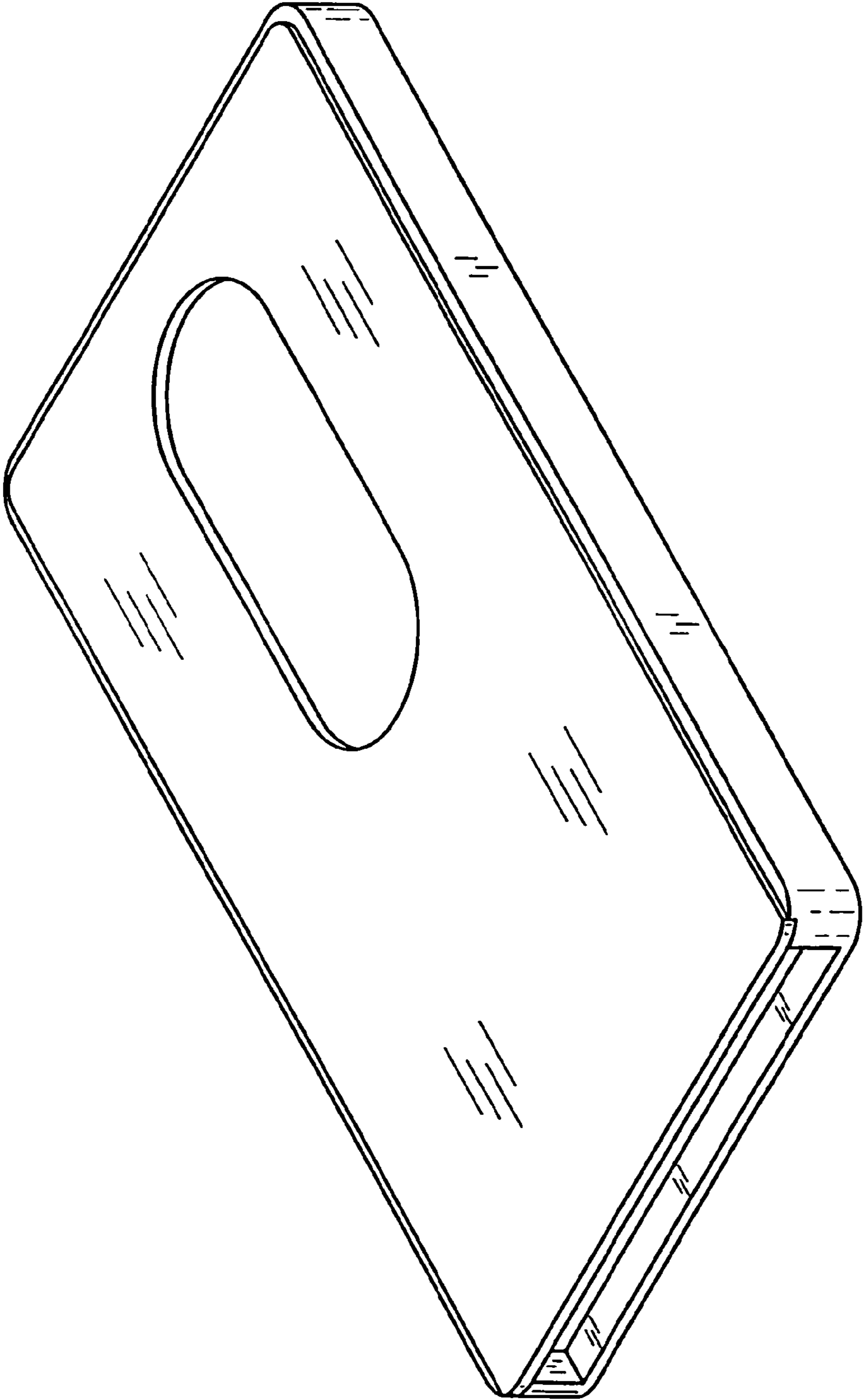


Fig.1

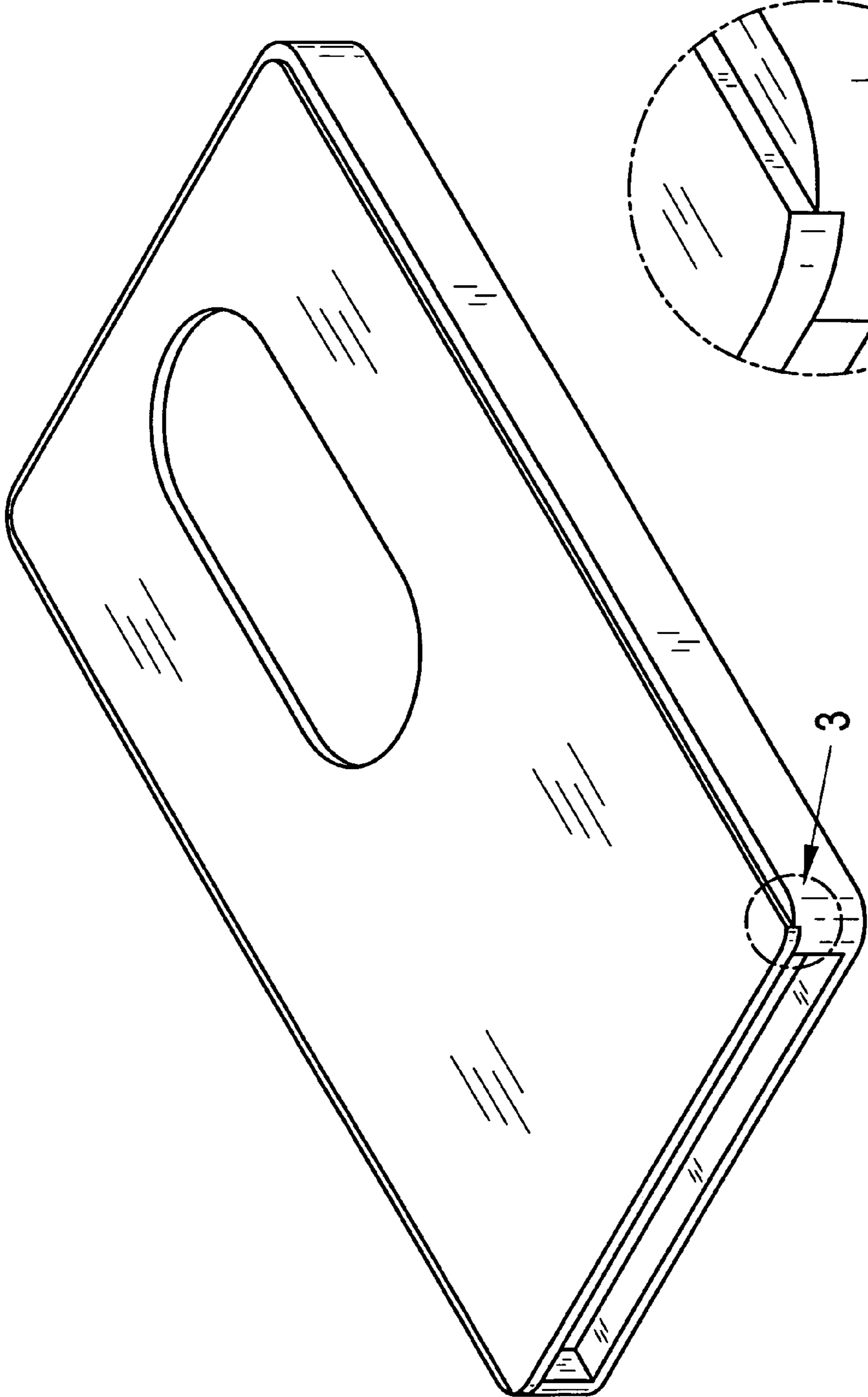


Fig. 2

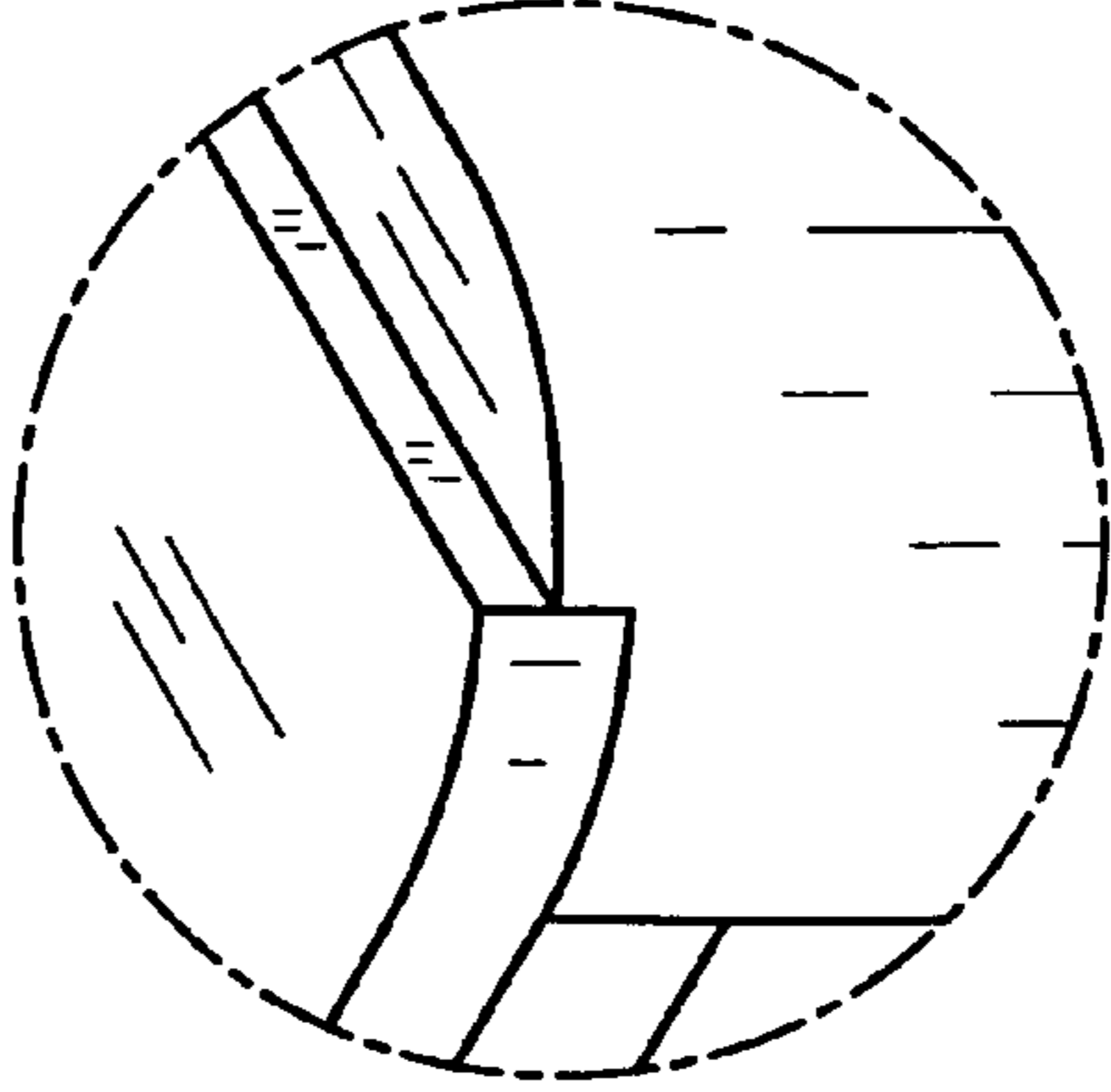


Fig. 3

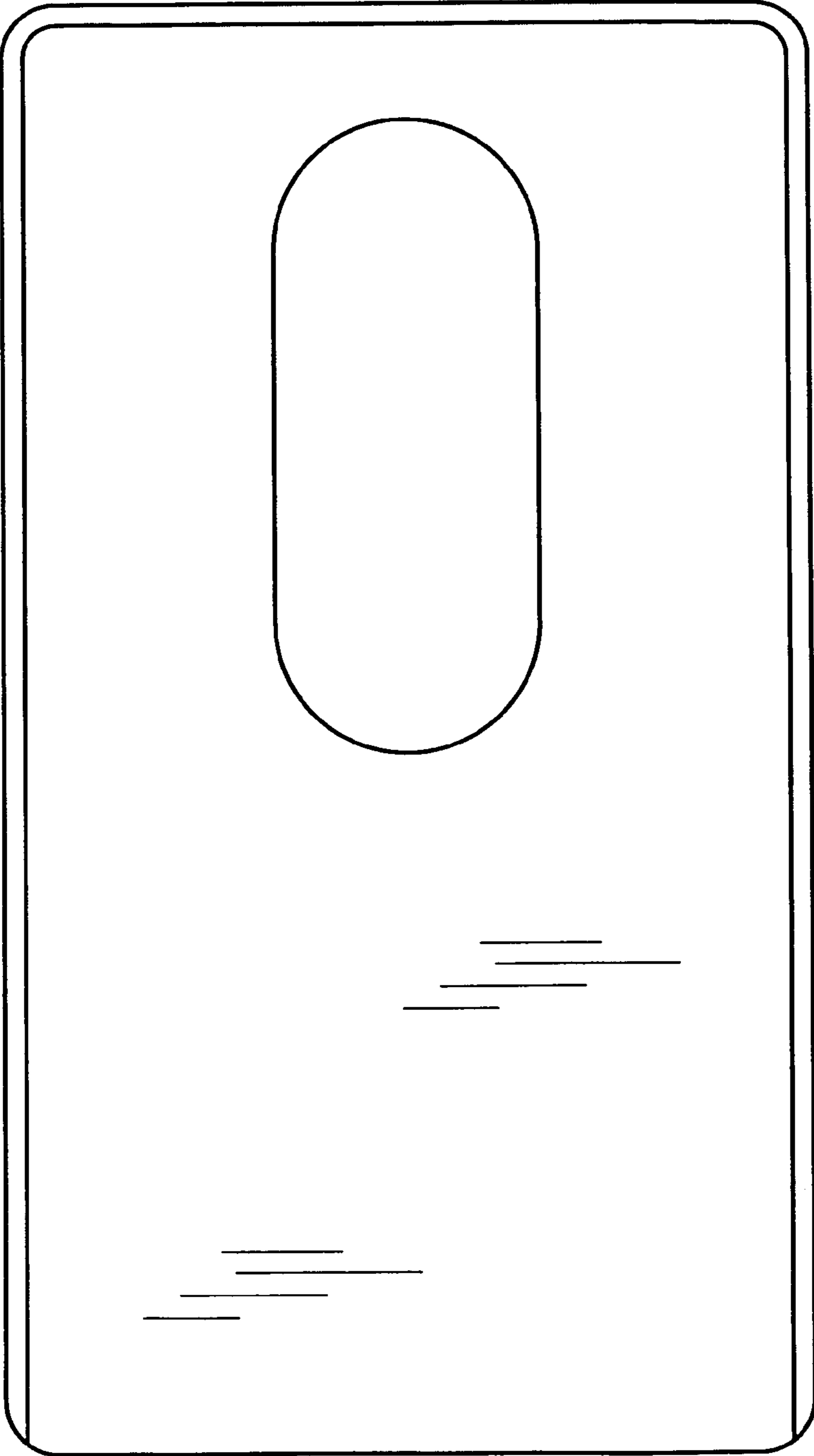


Fig.4

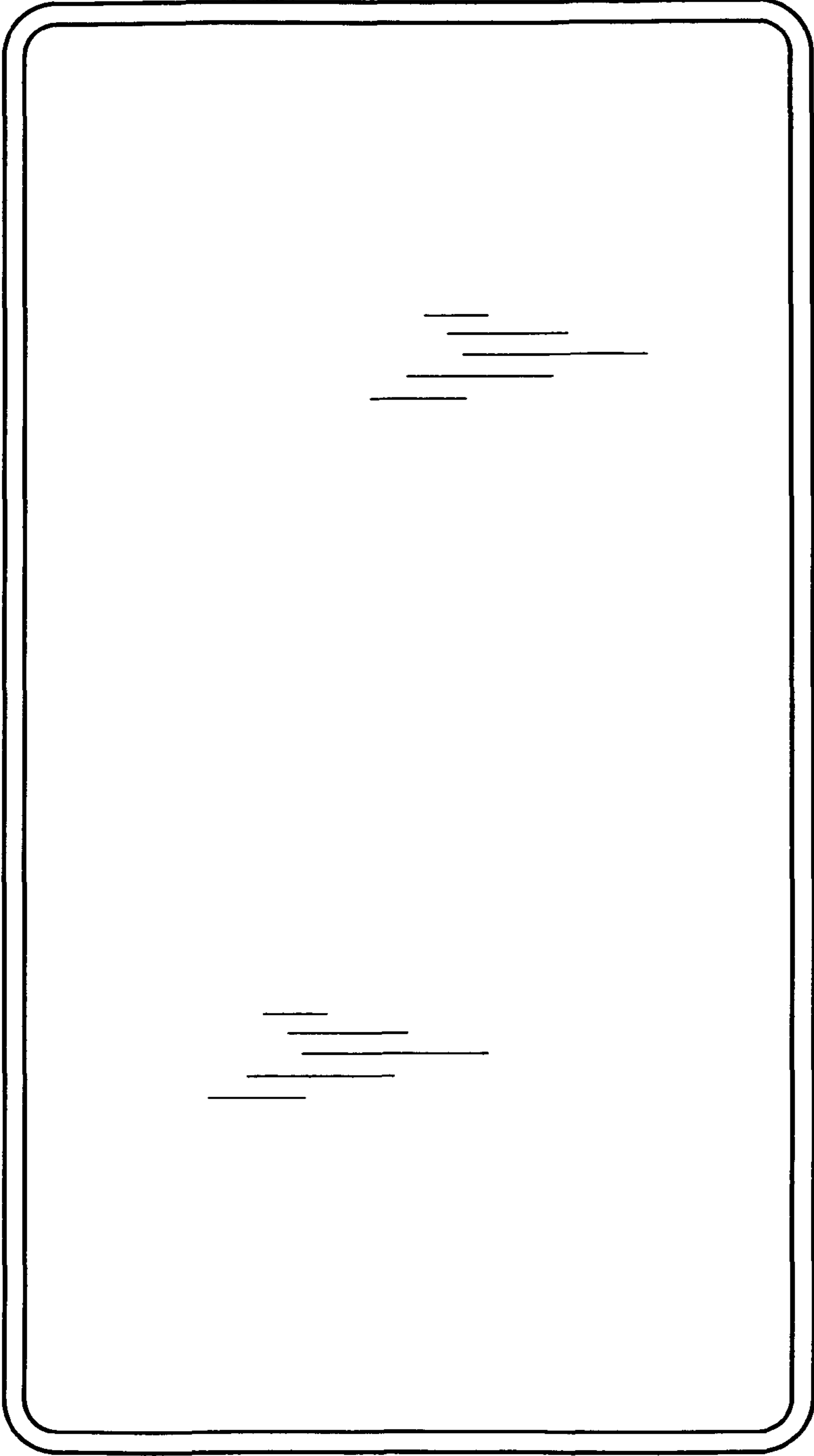


Fig.5

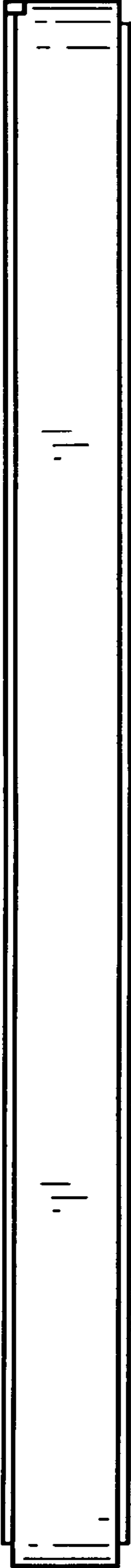


Fig.6

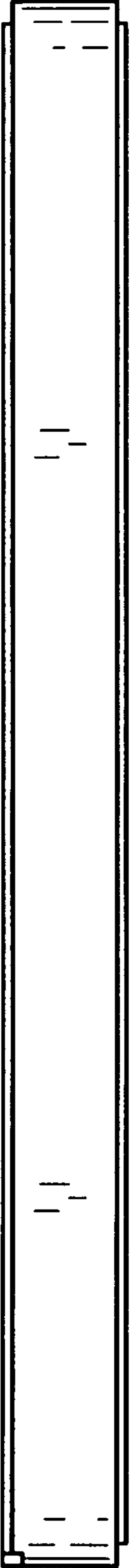


Fig.7



Fig.8

Fig.9