



US00D637231S

(12) **United States Design Patent**  
**Suto et al.**

(10) **Patent No.:** **US D637,231 S**

(45) **Date of Patent:** **\*\* May 3, 2011**

(54) **AUTOMOBILE DRIVING SIMULATOR**

(75) Inventors: **Shinji Suto**, Wako (JP); **Kyota Yoshizawa**, Wako (JP); **Takashi Fukasawa**, Wako (JP); **Fumiya Uchikanezaki**, Wako (JP)

(73) Assignee: **Honda Motor Co., Ltd.**, Tokyo (JP)

(\*\*) Term: **14 Years**

(21) Appl. No.: **29/364,032**

(22) Filed: **Jun. 17, 2010**

(51) **LOC (9) Cl.** ..... **19-07**

(52) **U.S. Cl.** ..... **D19/63**

(58) **Field of Classification Search** ..... D19/59-64;  
D21/477, 326, 548; 434/58-70, 29, 30; D14/372;  
297/217.7; 348/121, 218.1, 36; 446/454,  
446/7; 472/135; 703/8

See application file for complete search history.

(56) **References Cited**

**U.S. PATENT DOCUMENTS**

|           |      |         |                |       |           |
|-----------|------|---------|----------------|-------|-----------|
| 2,091,154 | A *  | 8/1937  | Matzner        | ..... | 434/67    |
| 2,814,131 | A *  | 11/1957 | Sheppard       | ..... | 434/64    |
| D266,008  | S *  | 8/1982  | Klawitter      | ..... | D19/63    |
| D266,097  | S *  | 9/1982  | Klawitter      | ..... | D21/477   |
| 4,464,117 | A *  | 8/1984  | Foerst         | ..... | 434/67    |
| 5,015,189 | A *  | 5/1991  | Wenzinger, Jr. | ..... | 434/63    |
| D338,050  | S *  | 8/1993  | Holmes         | ..... | D14/372   |
| 5,399,091 | A *  | 3/1995  | Mitsumoto      | ..... | 434/61    |
| D407,759  | S    | 4/1999  | Isetani et al. |       |           |
| 5,915,786 | A *  | 6/1999  | Kotani         | ..... | 297/217.7 |
| D500,098  | S *  | 12/2004 | Doi            | ..... | D21/477   |
| 7,033,177 | B2 * | 4/2006  | Kim            | ..... | 434/58    |

|          |     |         |                |       |        |
|----------|-----|---------|----------------|-------|--------|
| D531,221 | S   | 10/2006 | Shiraishi      |       |        |
| D531,670 | S   | 11/2006 | Shiraishi      |       |        |
| D545,369 | S * | 6/2007  | Scharfetter    | ..... | D19/63 |
| D558,829 | S * | 1/2008  | Soodeen et al. | ..... | D19/63 |
| D558,830 | S * | 1/2008  | Soodeen et al. | ..... | D19/63 |

**FOREIGN PATENT DOCUMENTS**

|    |          |   |         |
|----|----------|---|---------|
| JP | D1026901 | S | 12/1998 |
| JP | D1076936 | S | 7/2000  |
| JP | D1101243 | S | 2/2001  |
| JP | D1133150 | S | 2/2002  |
| JP | D1153047 | S | 9/2002  |
| JP | D1265048 | S | 3/2006  |

\* cited by examiner

*Primary Examiner* — T. Chase Nelson

*Assistant Examiner* — Mark Cavanna

(74) *Attorney, Agent, or Firm* — Westerman, Hattori, Daniels & Adrian, LLP

(57) **CLAIM**

The ornamental design for an automobile driving simulator, as shown and described.

**DESCRIPTION**

FIG. 1 is a left front perspective view of the automobile driving simulator showing our new design; FIG. 2 is a right front perspective view thereof; FIG. 3 is a front elevational view thereof; FIG. 4 is a rear elevational view thereof; FIG. 5 is a top plan view thereof; FIG. 6 is a left side elevational view thereof; and, FIG. 7 is a right side elevational view thereof. The broken lines illustrate environmental structure and form no part of the claimed design.

**1 Claim, 4 Drawing Sheets**

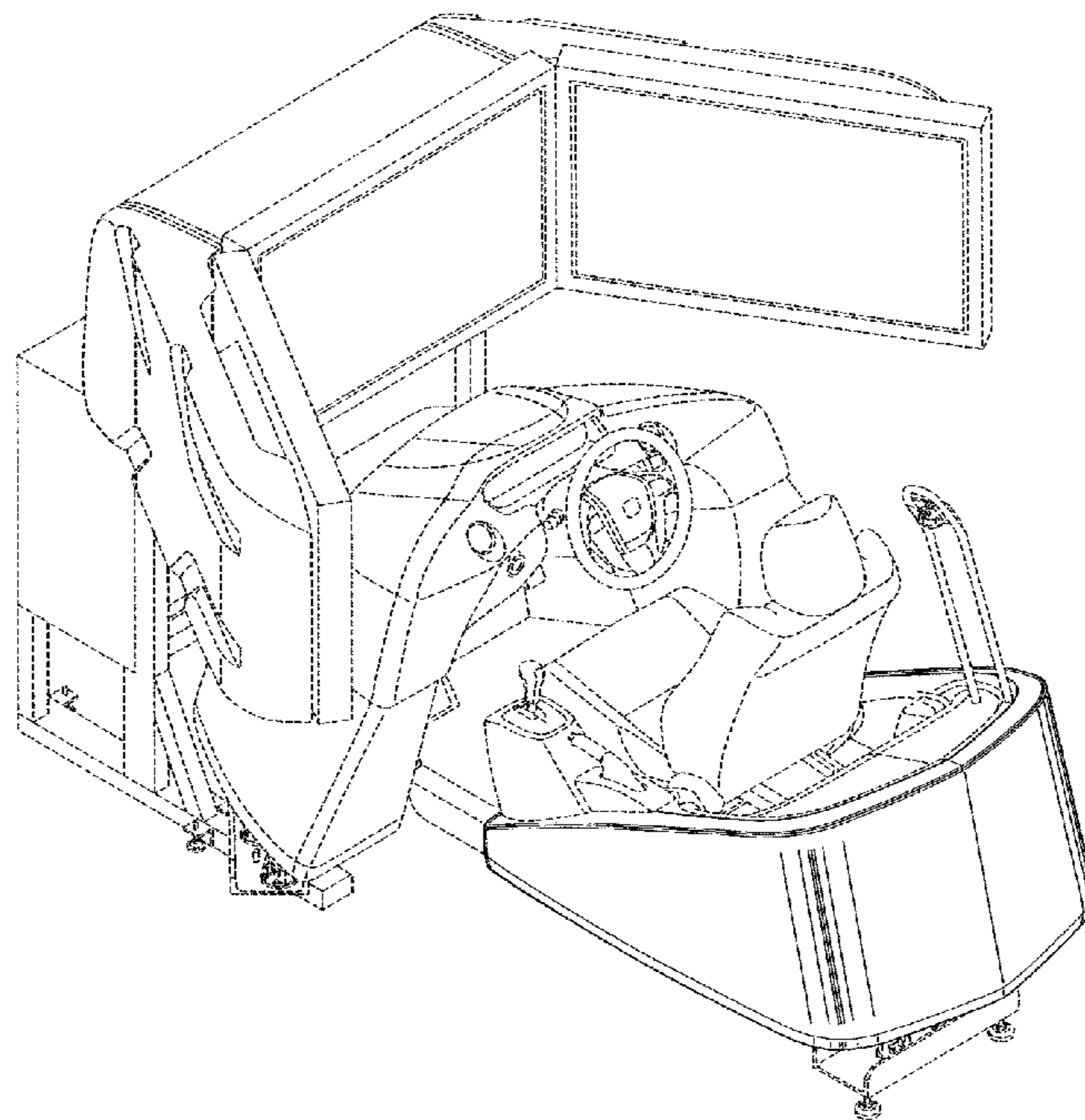


FIG.1

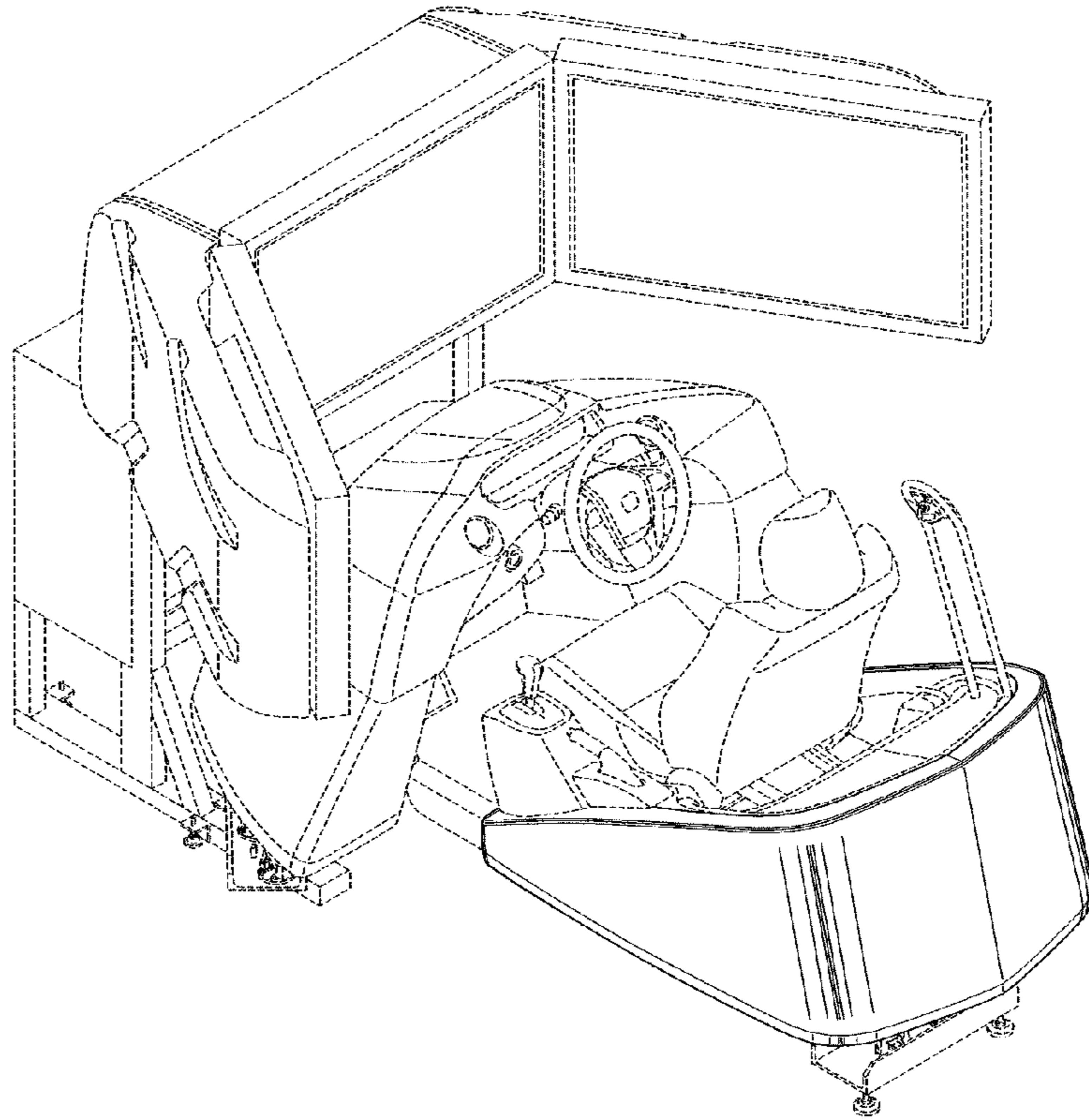


FIG.2

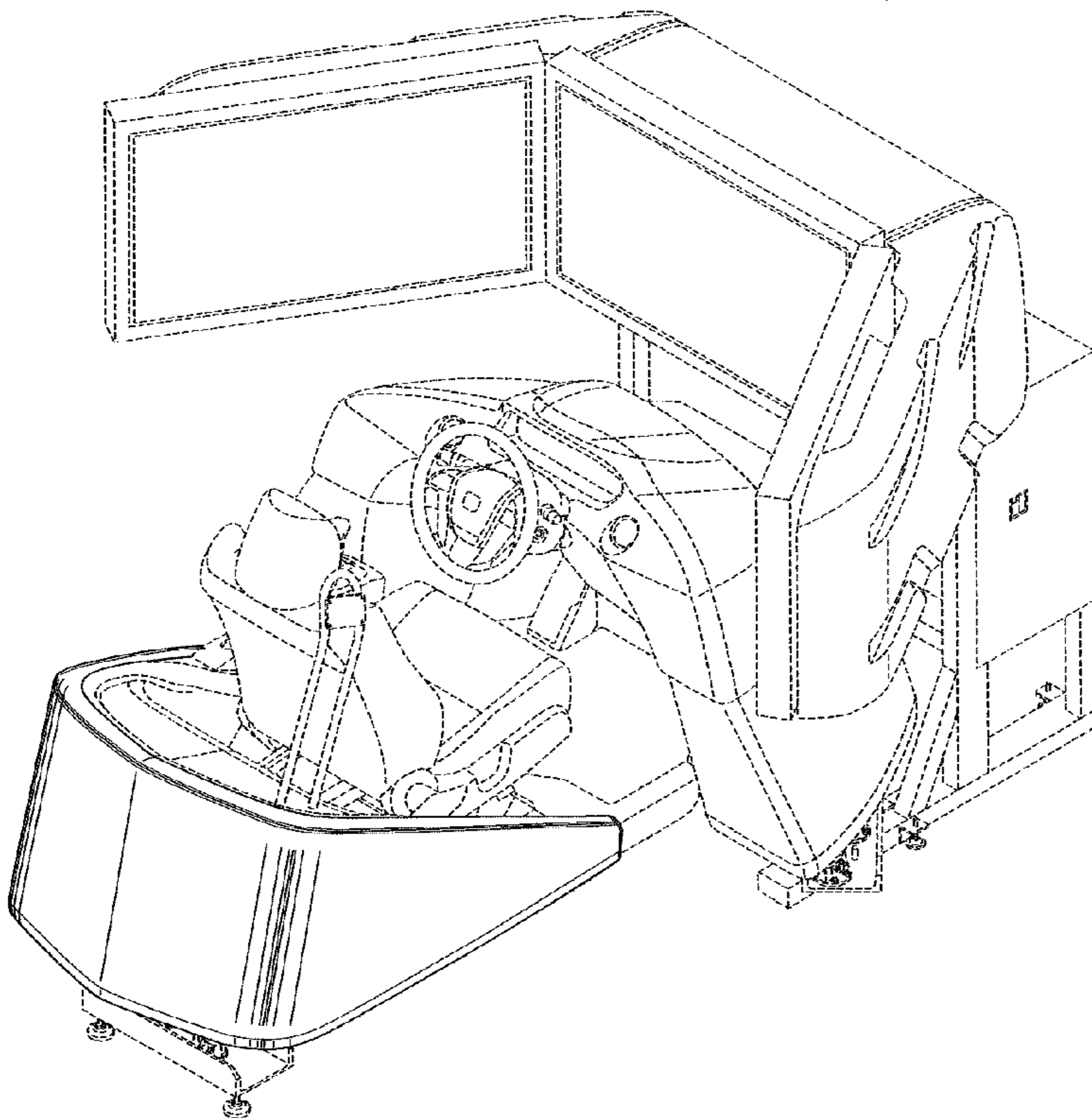


FIG.3

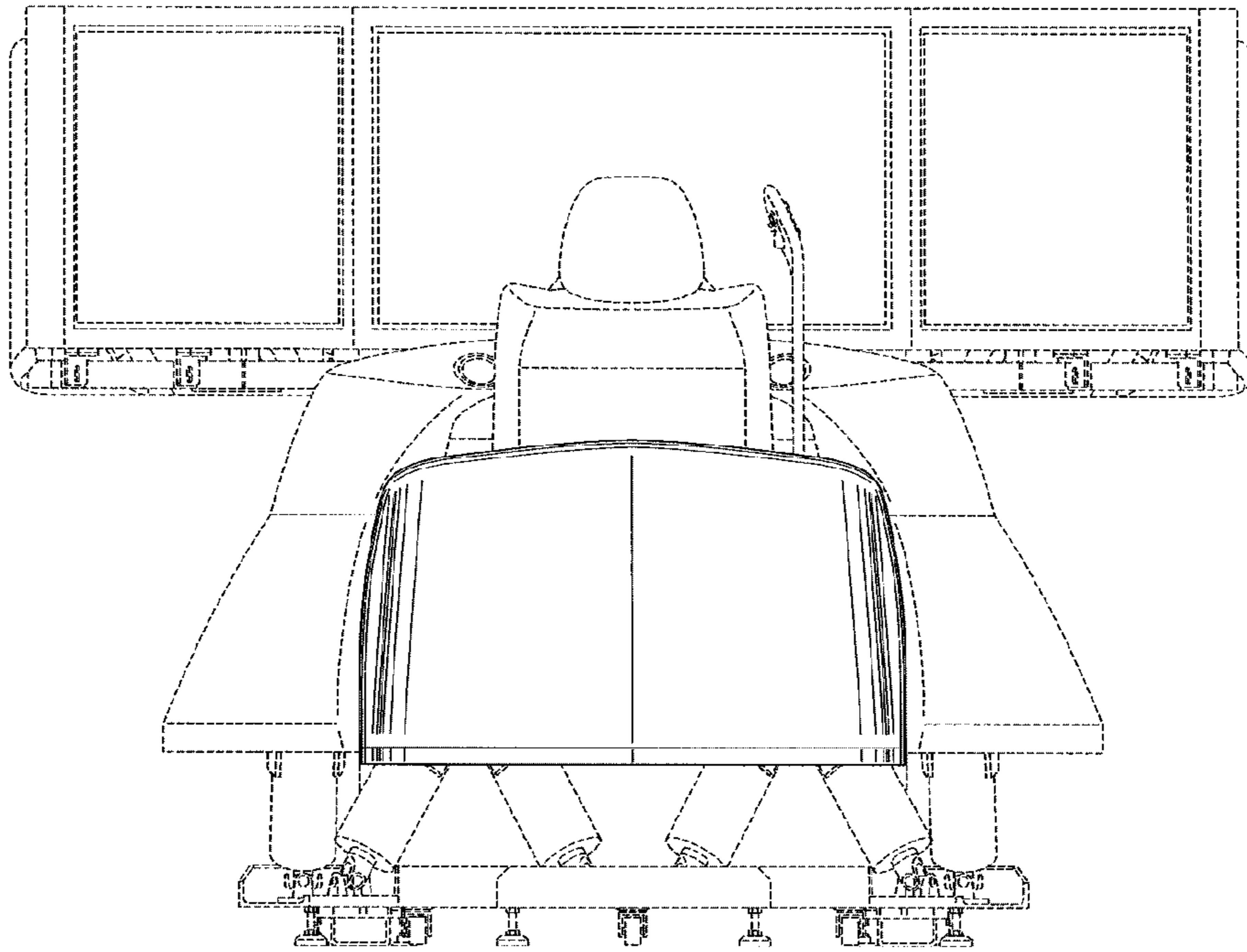


FIG.4

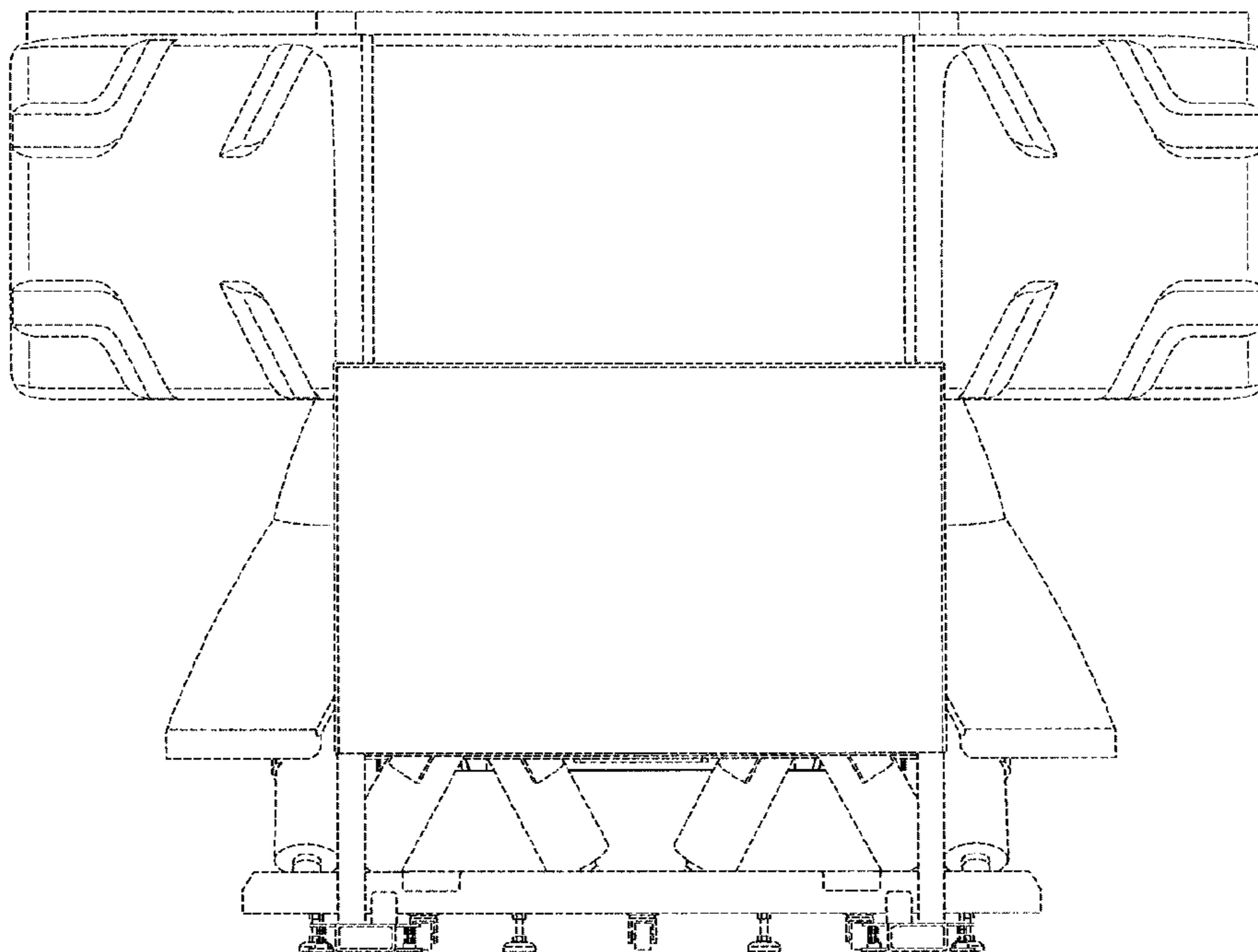


FIG.5

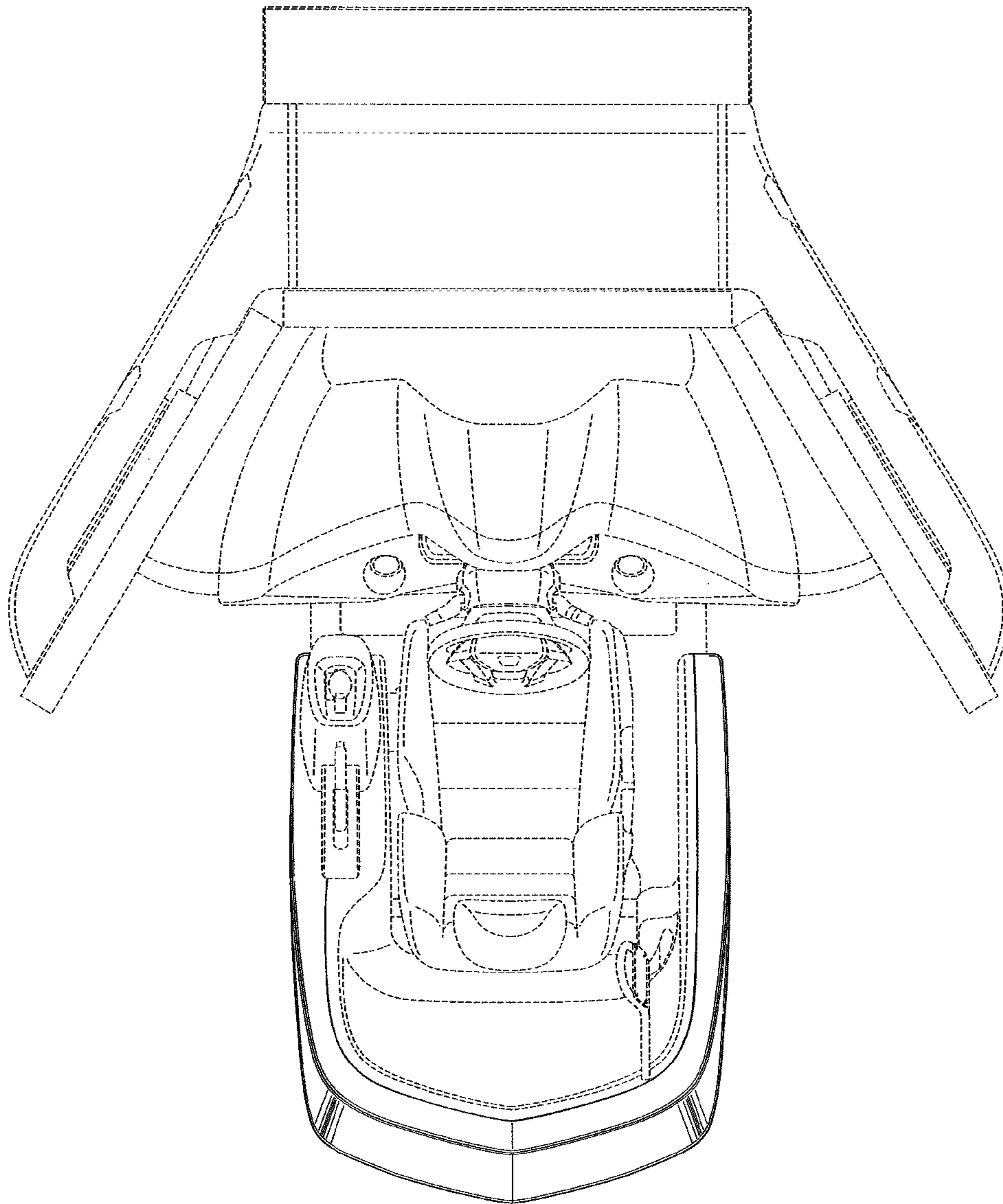


FIG.6

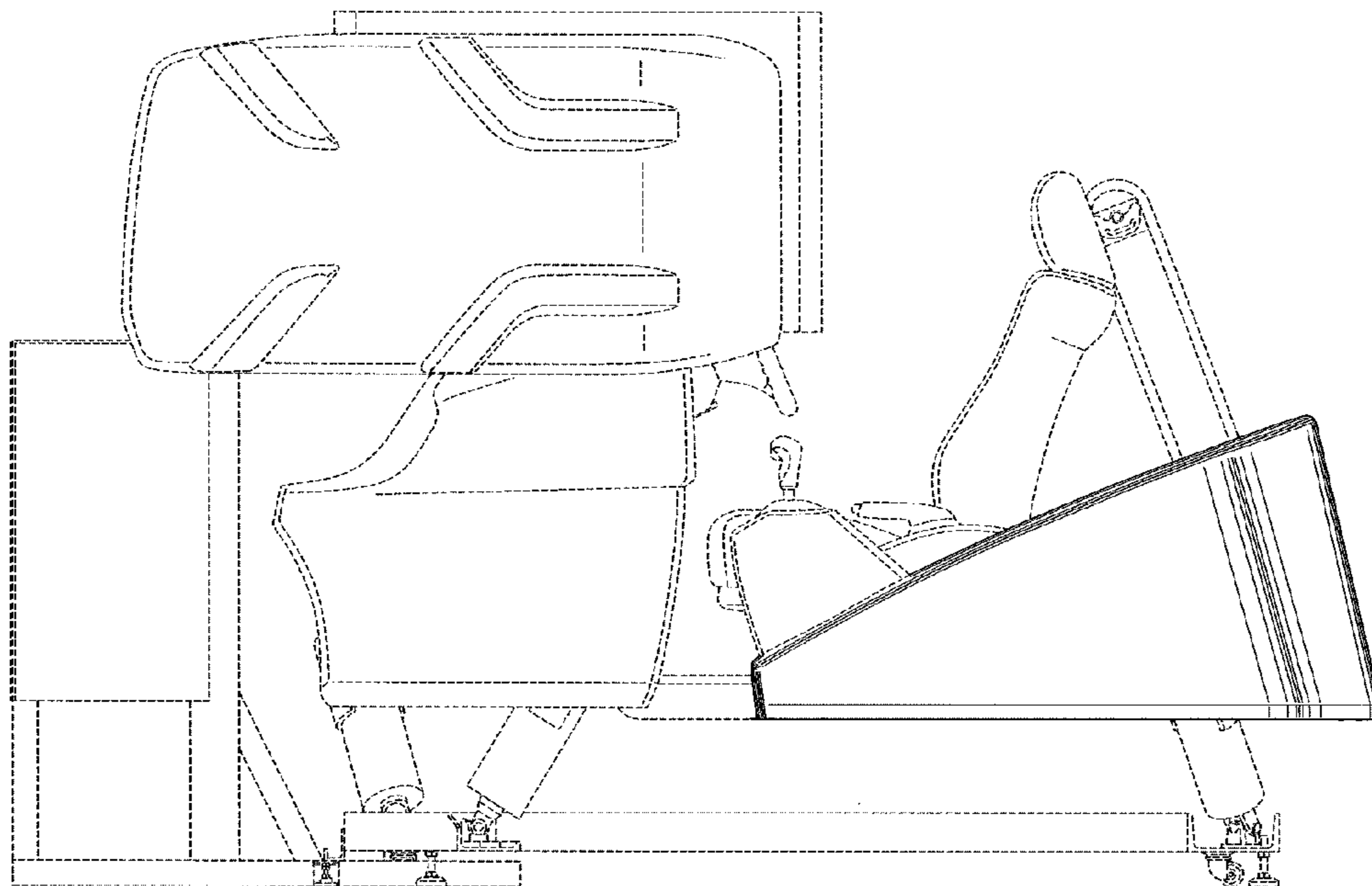


FIG.7

