



US00D637229S

(12) **United States Design Patent**
Hicks et al.

(10) **Patent No.:** **US D637,229 S**

(45) **Date of Patent:** **** May 3, 2011**

(54) **ORGANIZER**

(75) Inventors: **Julie Hicks**, Hastings, MN (US); **Lori Doffing**, Hastings, MN (US)

(73) Assignee: **Smead Manufacturing Company**, Hastings, MN (US)

(**) Term: **14 Years**

(21) Appl. No.: **29/334,766**

(22) Filed: **Apr. 1, 2009**

(51) **LOC (9) Cl.** **19-04**

(52) **U.S. Cl.** **D19/26**

(58) **Field of Classification Search** D19/26-33,
D19/75, 78, 86, 88; D3/299, 303; 281/15.1,
281/19.2, 29, 31, 38, 51; 229/67.1, 67.3,
229/70-72, 75

See application file for complete search history.

(56) **References Cited**

U.S. PATENT DOCUMENTS

329,676	A *	11/1885	Reade	206/425
821,019	A *	5/1906	Cooke	229/72
1,842,077	A *	1/1932	Doughty	206/425
D132,746	S *	6/1942	Schenker	D19/86
4,932,683	A *	6/1990	Perazza	283/74
D311,419	S *	10/1990	Moor	D19/27

5,518,273	A *	5/1996	Olson	283/36
5,664,724	A *	9/1997	Ho	229/67.4
5,732,976	A *	3/1998	Snyder	281/31
6,273,470	B1 *	8/2001	Bullock	281/29
6,364,110	B2 *	4/2002	Johnson	206/425
6,776,437	B1 *	8/2004	Ho	283/38
6,981,587	B2 *	1/2006	Gerrie	206/232
D577,766	S *	9/2008	Rydzewski	D19/26
7,458,501	B1 *	12/2008	Pelleg	229/67.1
2002/0014429	A1 *	2/2002	Johnson	206/425
2002/0074250	A1 *	6/2002	Huang	206/312
2009/0039143	A1 *	2/2009	Huang	229/67.4

* cited by examiner

Primary Examiner — T. Chase Nelson

Assistant Examiner — Kathleen M Sims

(74) *Attorney, Agent, or Firm* — Altera Law Group, LLC

(57) **CLAIM**

The ornamental design for an organizer, as shown and described.

DESCRIPTION

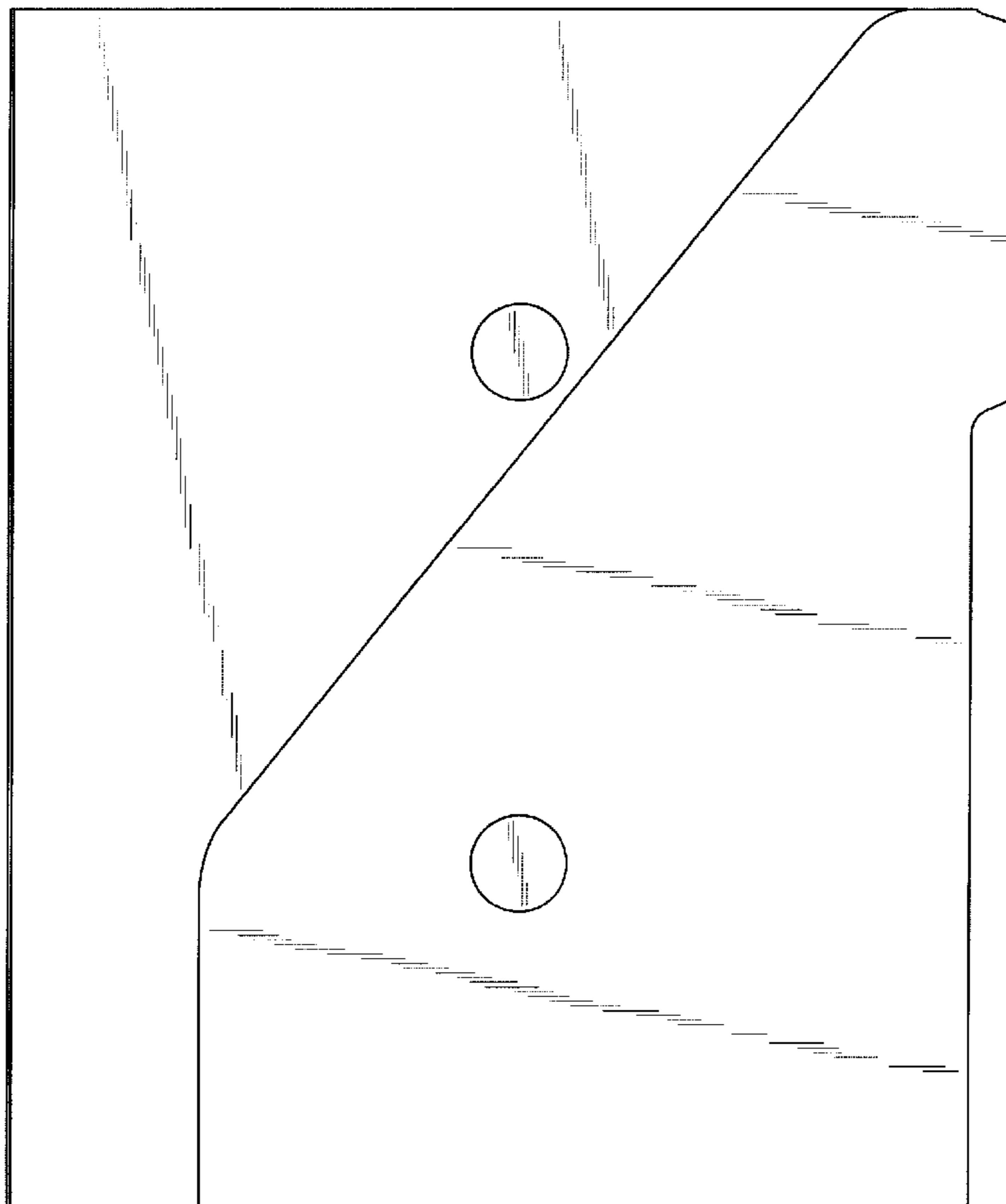
FIG. 1 is a perspective view of the organizer.

FIG. 2 is a front plan view thereof; and,

FIG. 3 is a back plan view thereof.

The broken line showing of multiple pages in FIG. 1 is included for the purpose of showing environmental portions of the organizer and forms no part of the claimed design.

1 Claim, 3 Drawing Sheets



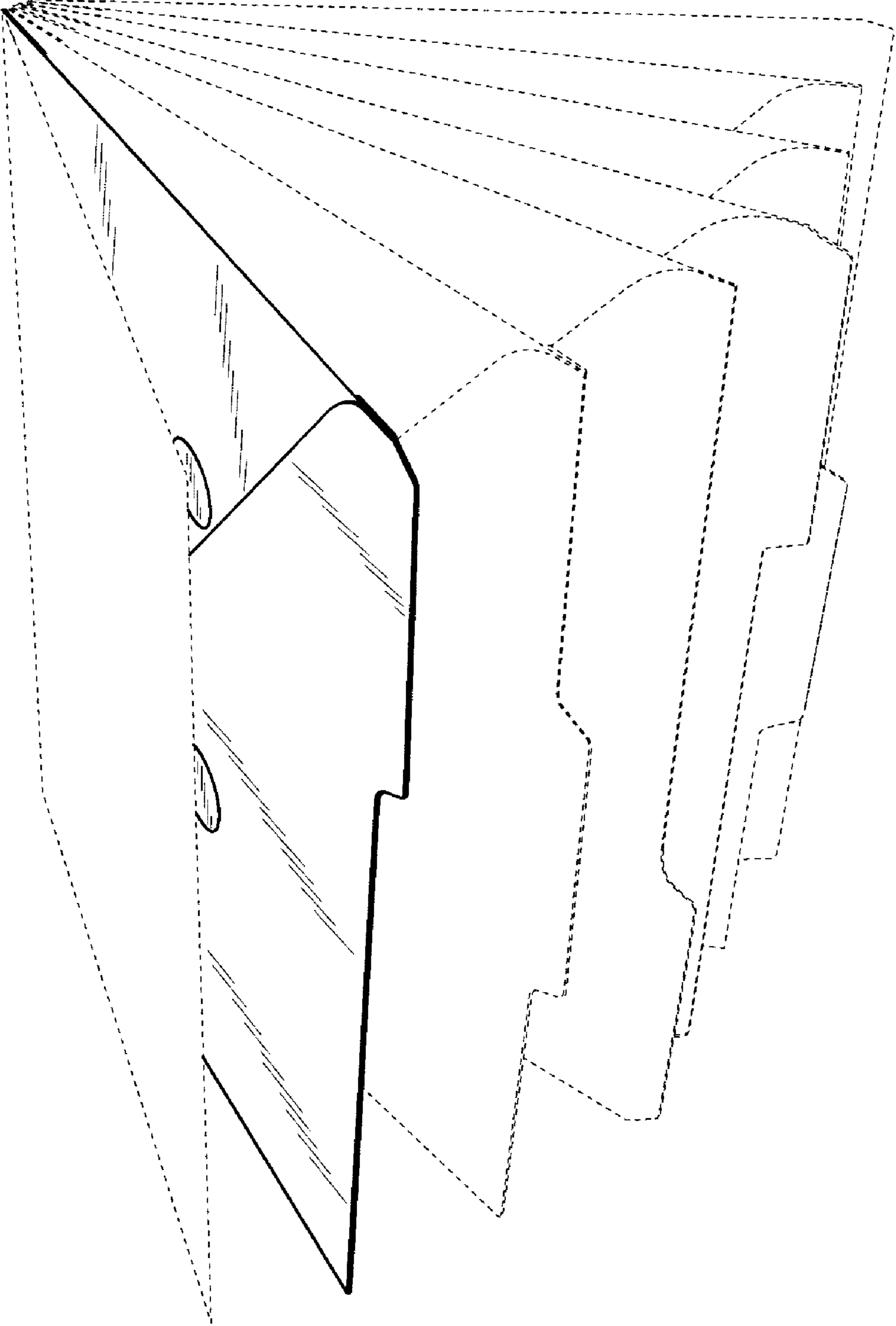


Fig.1

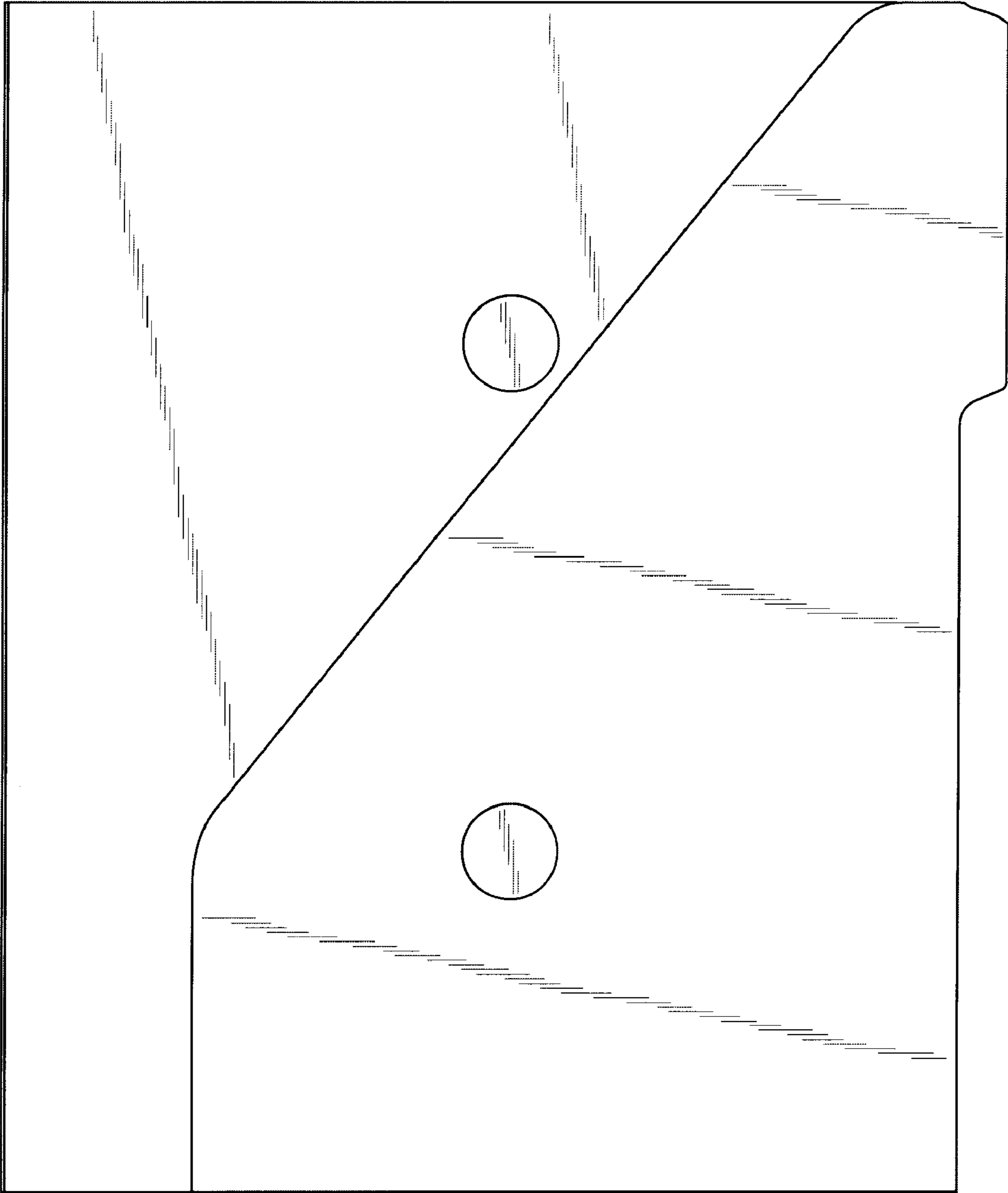


Fig. 2

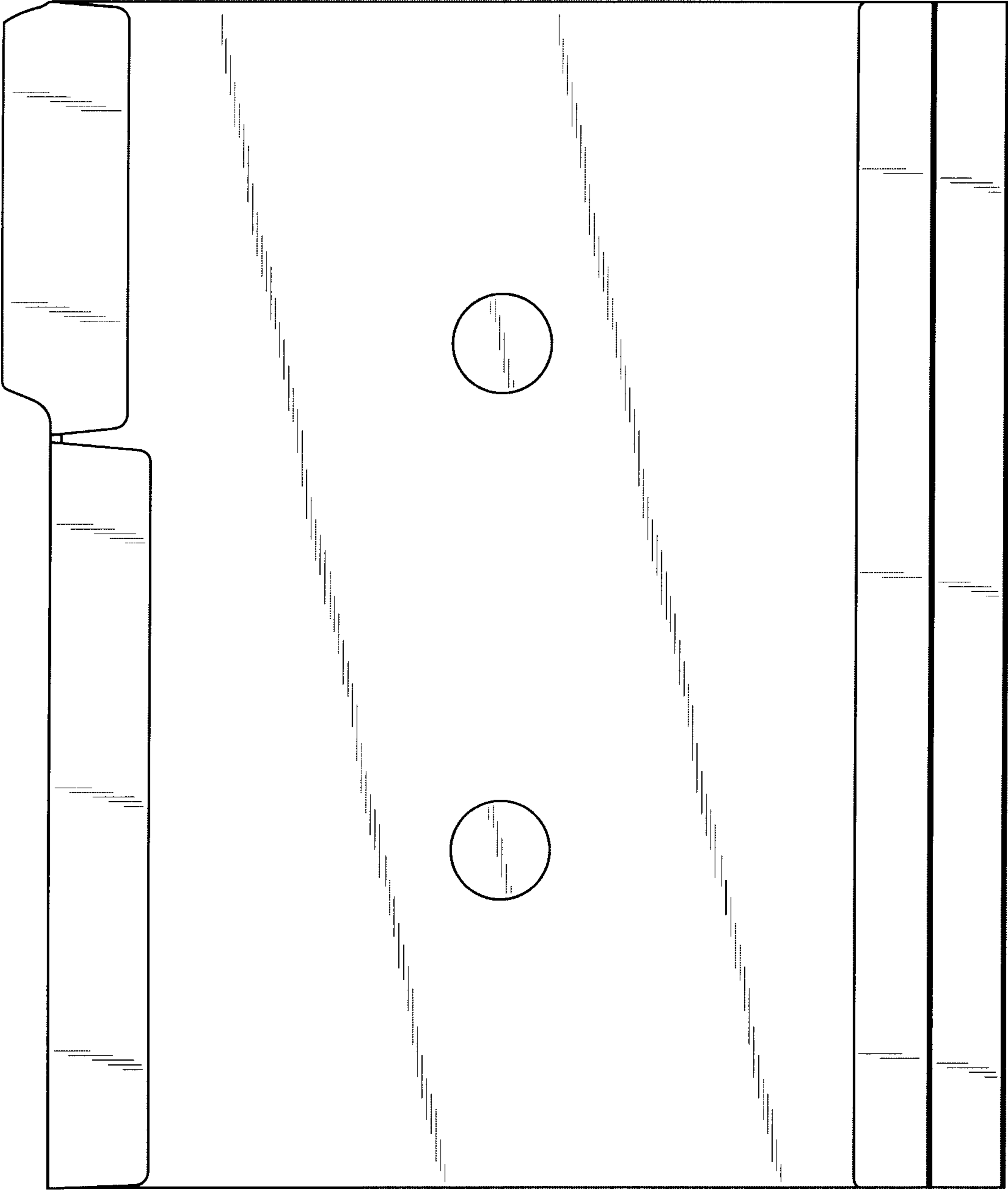


Fig. 3