



US00D637228S

(12) **United States Design Patent**  
**Irwin, Jr.**

(10) **Patent No.:** **US D637,228 S**

(45) **Date of Patent:** **\*\* \*May 3, 2011**

(54) **DATA CARD**

(75) Inventor: **Joseph L. Irwin, Jr.**, Newark, DE (US)

(73) Assignee: **Bank of America Corporation**,  
Charlotte, NC (US)

(\* ) Notice: This patent is subject to a terminal disclaimer.

(\*\*) Term: **14 Years**

(21) Appl. No.: **29/367,957**

(22) Filed: **Aug. 16, 2010**

(51) **LOC (9) Cl.** ..... **19-08**

(52) **U.S. Cl.** ..... **D19/10**

(58) **Field of Classification Search** ..... D19/9-12;  
D14/436-438; D20/40; 235/380, 382, 435-436,  
235/449, 454, 468, 469, 488, 491-493; 283/82,  
283/99, 107, 904, 70, 72, 74, 75; 360/2;  
428/916

See application file for complete search history.

(56) **References Cited**

**U.S. PATENT DOCUMENTS**

D447,515 S *	9/2001	Faenza et al.	.....	D19/10
D453,517 S *	2/2002	Pentz	.....	D14/436
D456,814 S *	5/2002	Pentz	.....	D14/436
D460,454 S *	7/2002	Pentz	.....	D14/436
D460,455 S *	7/2002	Pentz	.....	D14/436
D462,965 S *	9/2002	Pentz	.....	D14/436

D464,355 S *	10/2002	Burke	.....	D14/436
D498,788 S *	11/2004	Lubking	.....	D19/10
D516,563 S *	3/2006	Hart et al.	.....	D14/436
D560,717 S *	1/2008	Robertson et al.	.....	D19/10
D623,190 S *	9/2010	Trujillo	.....	D14/436

\* cited by examiner

*Primary Examiner* — Caron D Veynar

*Assistant Examiner* — Abraham Bahta

(74) *Attorney, Agent, or Firm* — Michael A. Springs; Moore & Van Allen PLLC

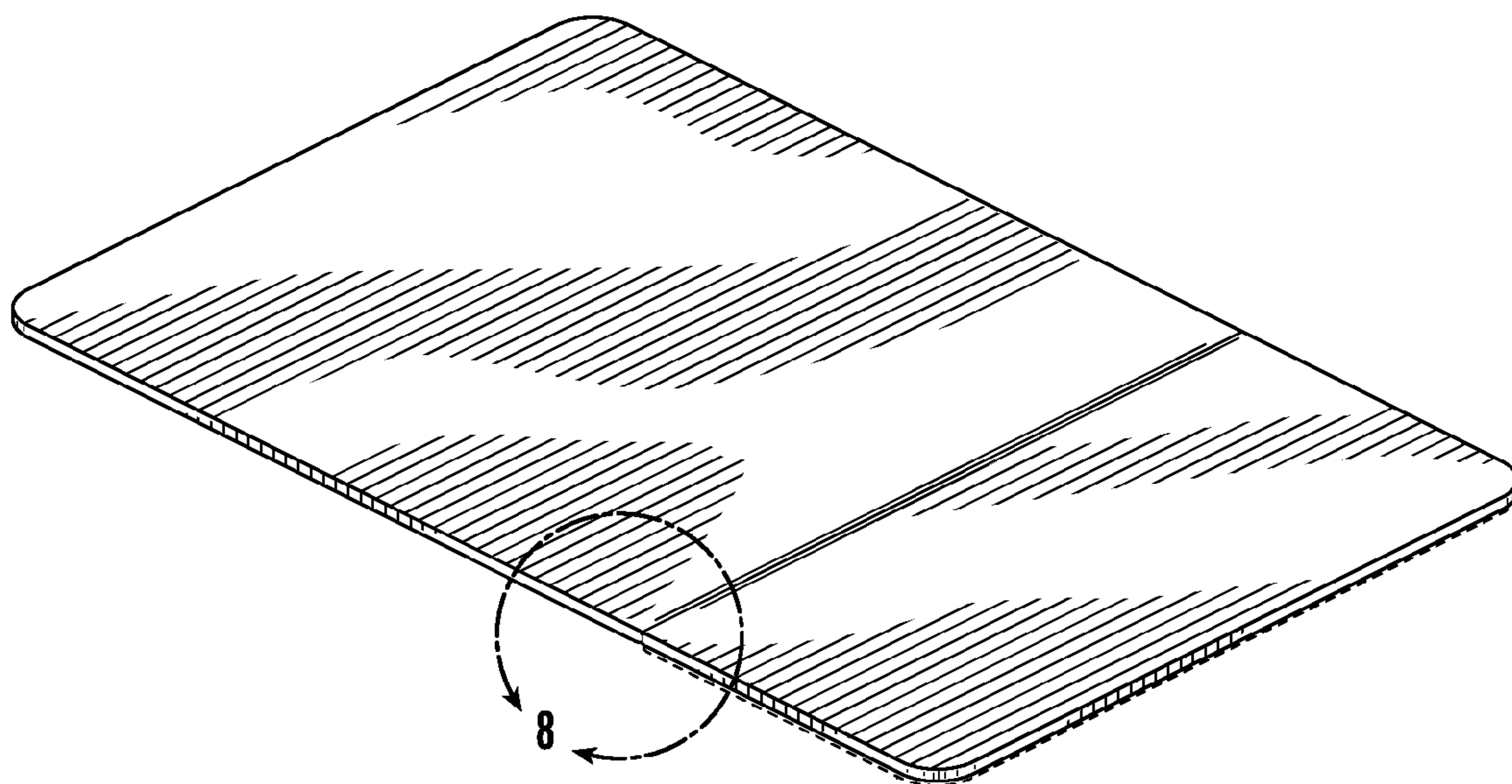
(57) **CLAIM**

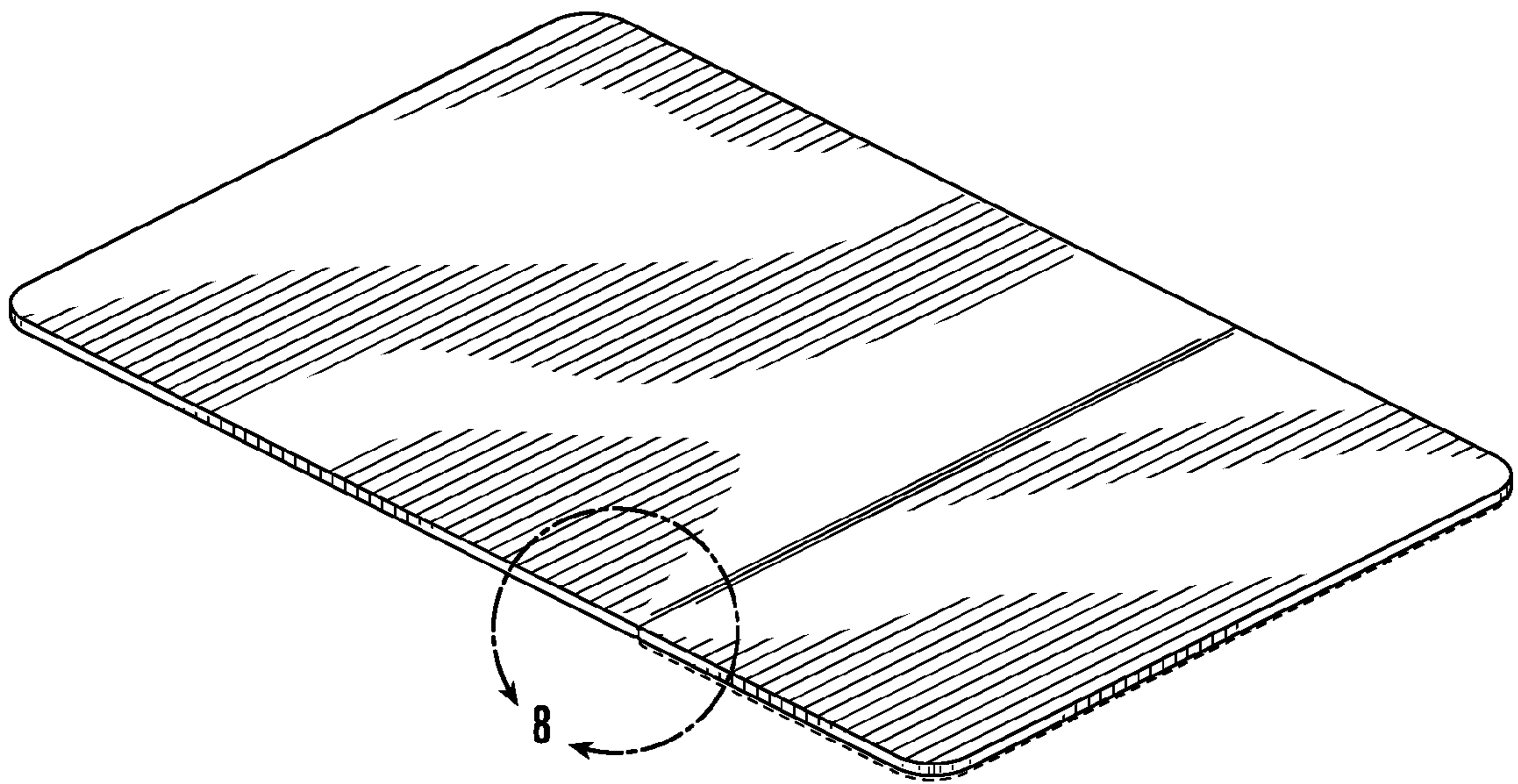
The ornamental design for a data card, as shown and described.

**DESCRIPTION**

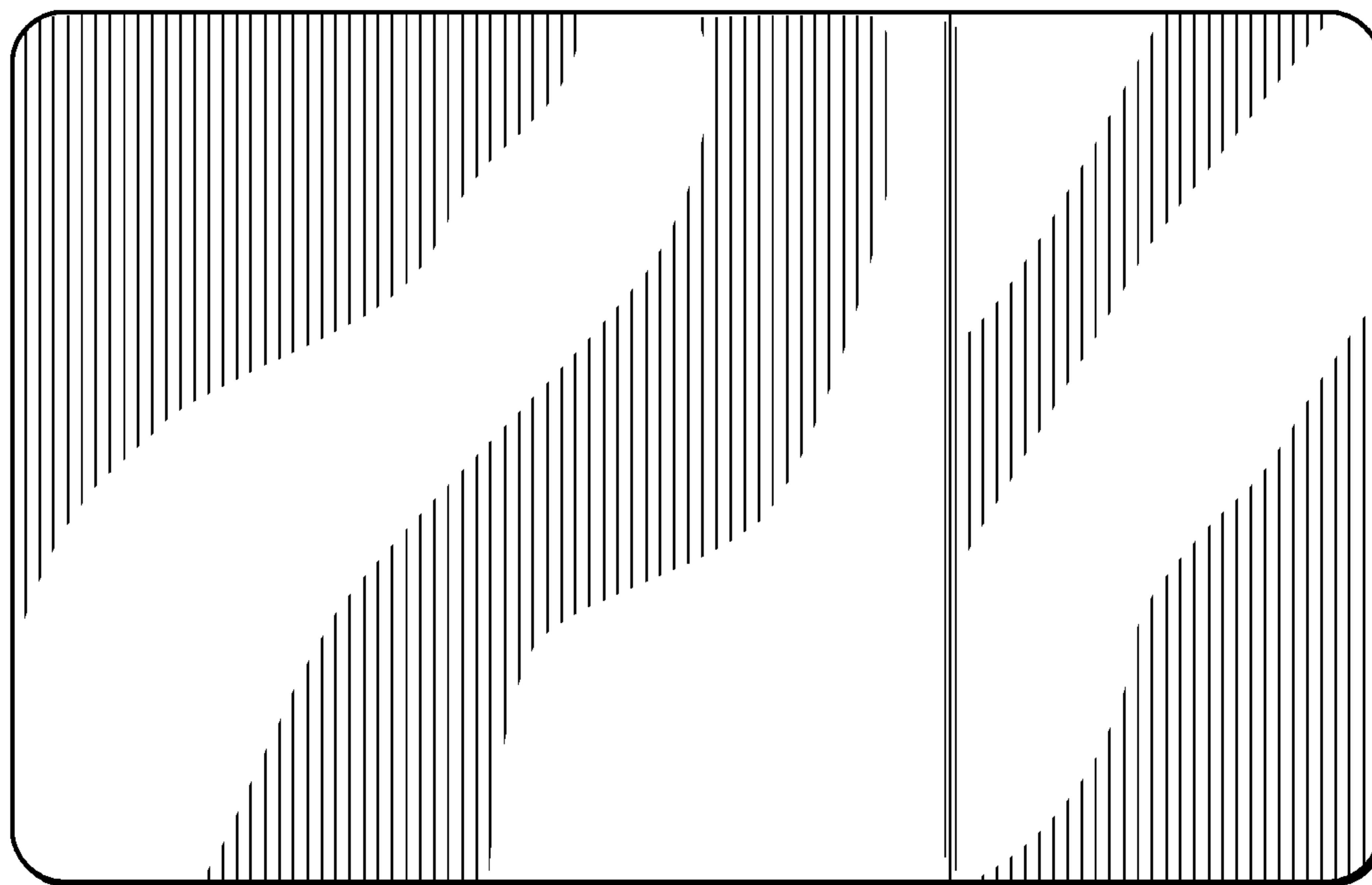
FIG. 1 is a perspective view of the data card;  
FIG. 2 is plan view of the front side of the data card;  
FIG. 3 is a plan view of the back side of the data card;  
FIG. 4 is a side view of the data card;  
FIG. 5 is a side view of the data card;  
FIG. 6 is a side view of the data card;  
FIG. 7 is a side view of the data card; and,  
FIG. 8 is a large perspective view of an area of the data card.  
The broken line showing of portions of the data card is included for the purpose of illustrating environmental structure and forms no part of the claimed design.

**1 Claim, 3 Drawing Sheets**

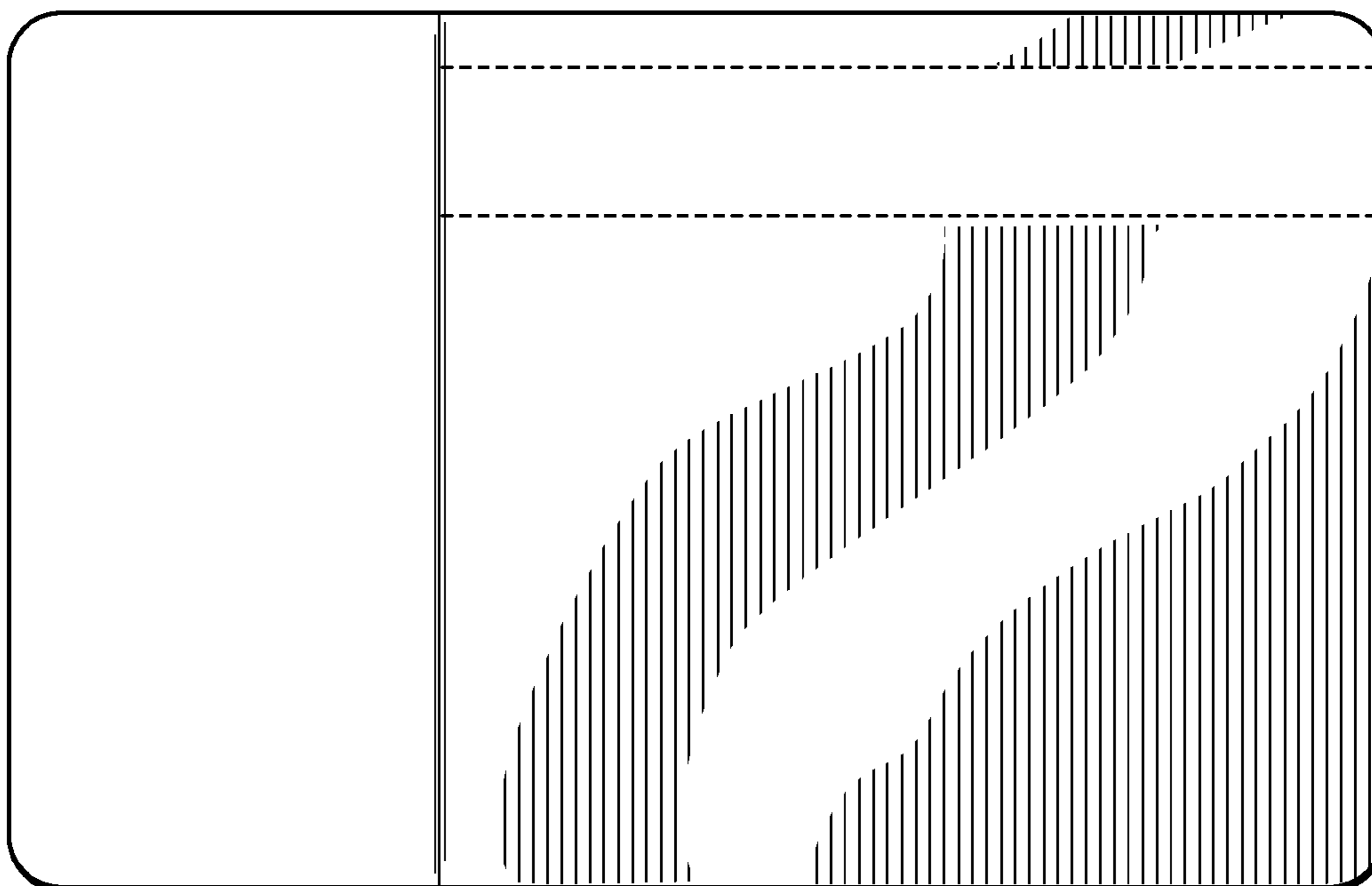




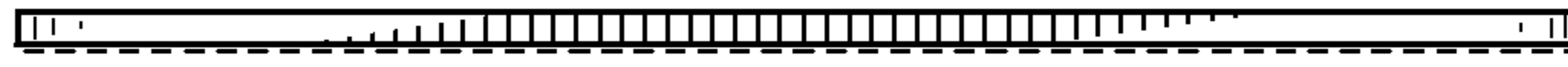
**FIG. 1**



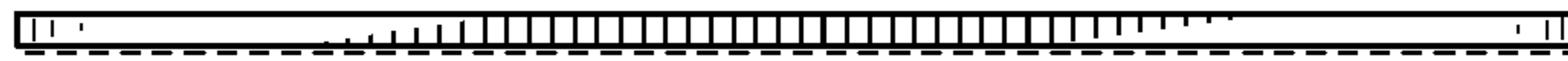
**FIG. 2**



**FIG. 3**



**FIG. 4**



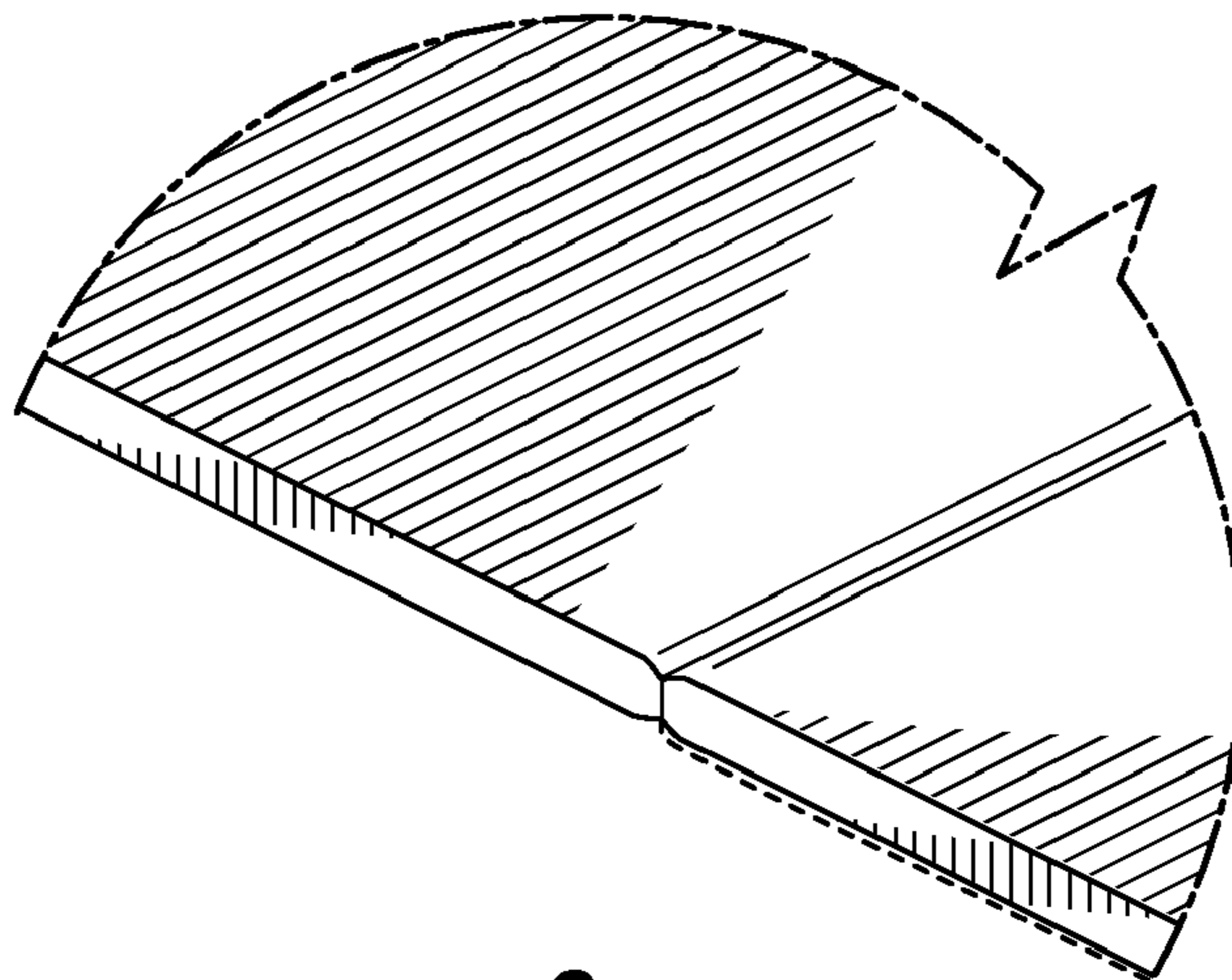
**FIG. 5**



**FIG. 6**



**FIG. 7**



**FIG. 8**