

US00D637227S

(12) **United States Design Patent**  
**Deng et al.**

(10) **Patent No.:** **US D637,227 S**

(45) **Date of Patent:** **\*\* May 3, 2011**

(54) **INK CONTAINER**

(75) Inventors: **Chiang Chin Christopher Deng**,  
Singapore (SG); **Soon Beng Koh**,  
Singapore (SG)

(73) Assignee: **Hewlett-Packard Development**  
**Company, L.P.**, Houston, TX (US)

(\*\*) Term: **14 Years**

(21) Appl. No.: **29/337,587**

(22) Filed: **May 26, 2009**

(51) **LOC (9) Cl.** ..... **18-02**

(52) **U.S. Cl.** ..... **D18/56**

(58) **Field of Classification Search** ..... D18/40,  
D18/43, 56; 347/86, 87

See application file for complete search history.

(56) **References Cited**

**U.S. PATENT DOCUMENTS**

4,131,899	A *	12/1978	Christou	.....	D18/56
D368,275	S *	3/1996	Sakurai et al.	.....	D18/56
D395,914	S *	7/1998	Yoshino et al.	.....	D18/43
D408,846	S *	4/1999	Schwallie et al.	.....	D18/43
D411,568	S *	6/1999	Steinmetz et al.	.....	D18/56
D415,790	S *	10/1999	Hmelar et al.	.....	D18/56
D425,554	S *	5/2000	Gasvoda et al.	.....	D18/56
D462,089	S *	8/2002	Trafton et al.	.....	D18/56
6,550,899	B1 *	4/2003	Cowger et al.	.....	347/86
D526,010	S *	8/2006	Otis et al.	.....	D18/56

D538,847	S *	3/2007	Hwang et al.	.....	D18/56
7,241,001	B2 *	7/2007	Hattori et al.	.....	347/86
D551,289	S *	9/2007	Otsuka et al.	.....	D18/56

\* cited by examiner

*Primary Examiner* — David Muller

(57) **CLAIM**

The ornamental design for an ink container, as shown and described.

**DESCRIPTION**

This application is related to commonly-owned U.S. Design patent application Ser. No. 29/337,588, entitled Ink Bladder, and filed contemporaneously herewith by Chiang Chin Christopher Deng, which related application is incorporated herein by reference in its entirety.

FIG. 1 is a bottom, front, left side perspective view of the design for the ink container;

FIG. 2 is a left side elevation view thereof;

FIG. 3 is a front elevation view thereof, the rear being identical;

FIG. 4 is a right side elevation view thereof;

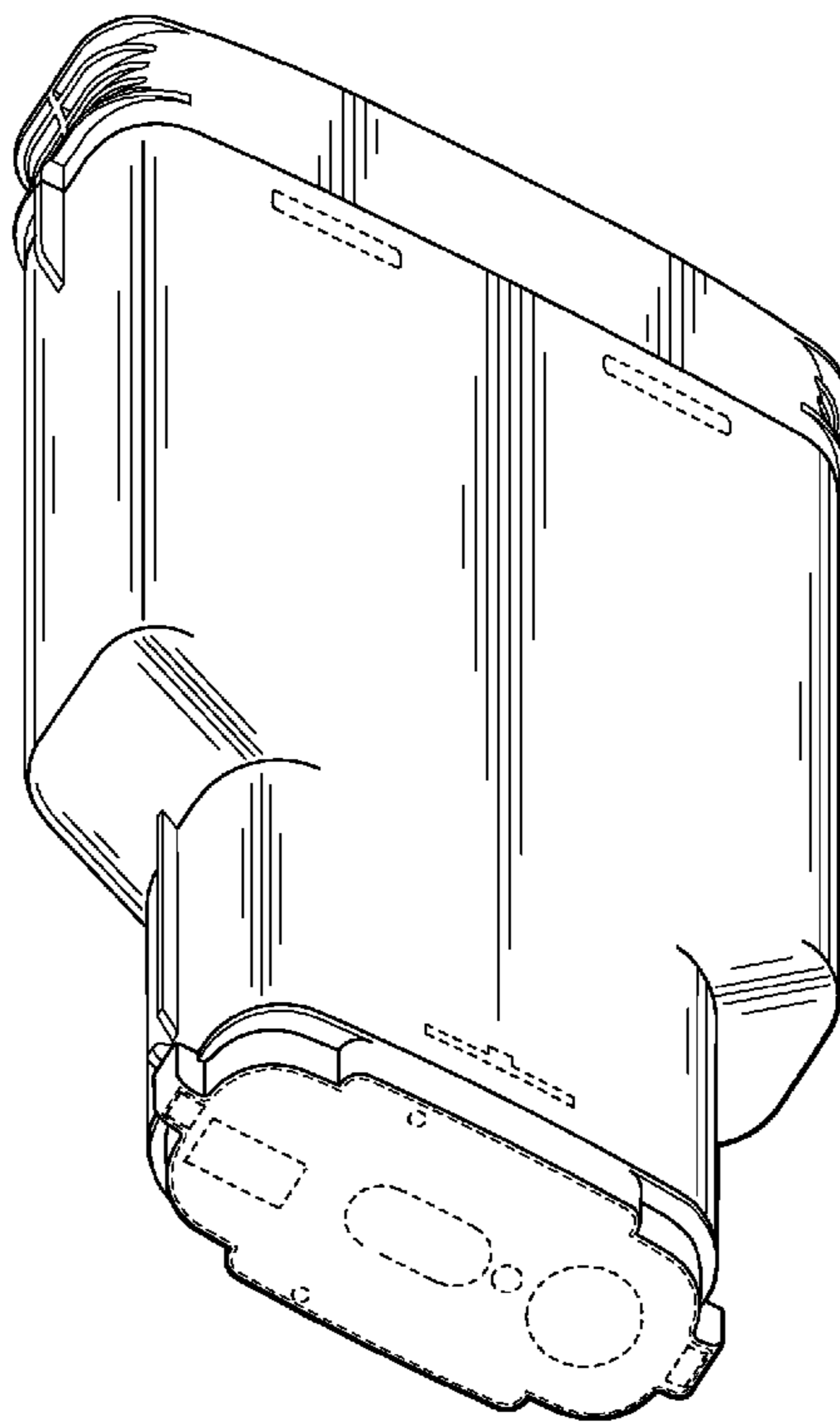
FIG. 5 is a top plan view thereof; and,

FIG. 6 is a bottom plan view thereof.

The features shown in broken lines in FIGS. 1, 3, 5 and 6 depict environmental subject matter only and form no part of the claimed design.

Further, the broken lines immediately adjacent the solid lines on the bottom of the container, define the boundary of the design and form no part of the claimed design.

**1 Claim, 2 Drawing Sheets**



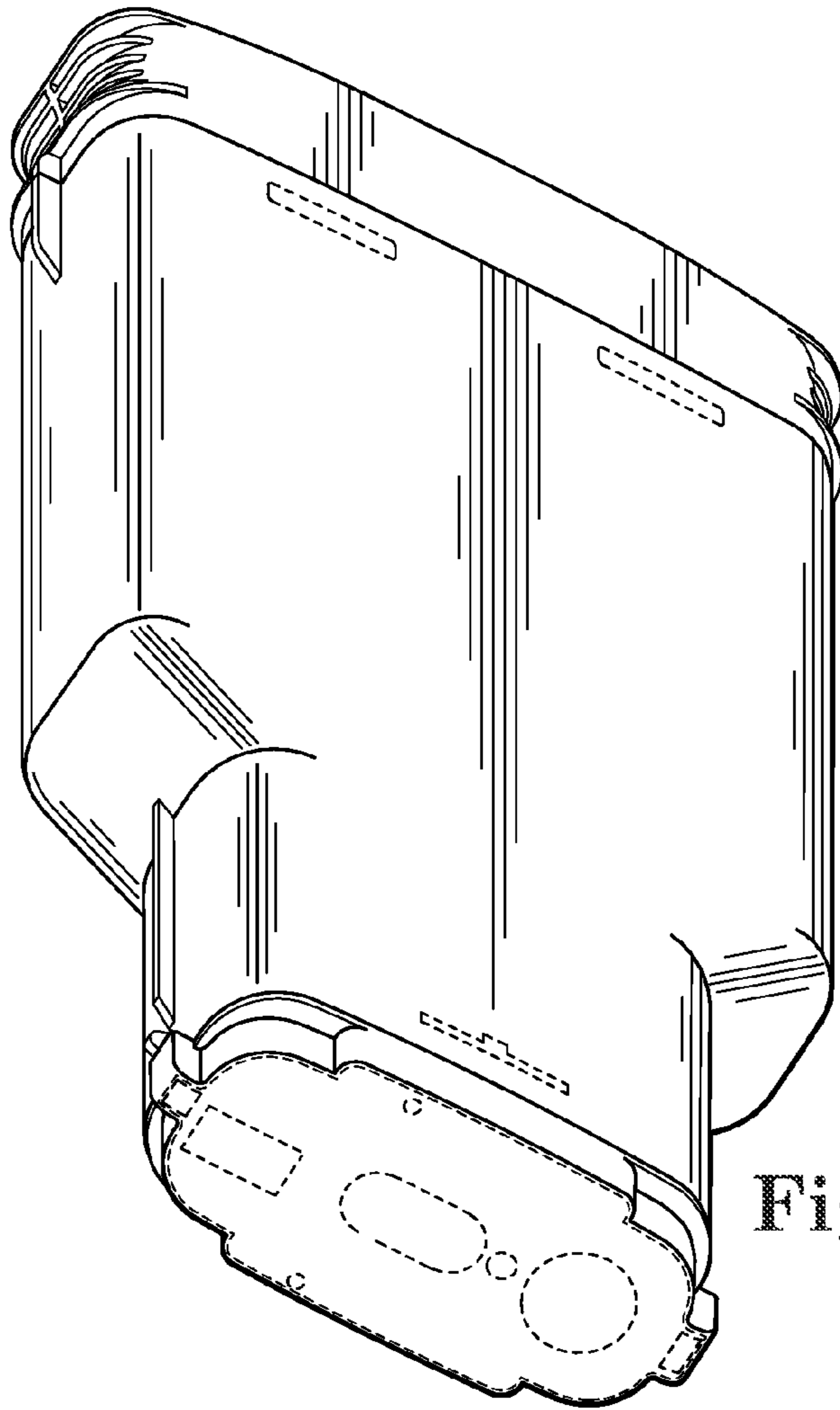


Fig. 1

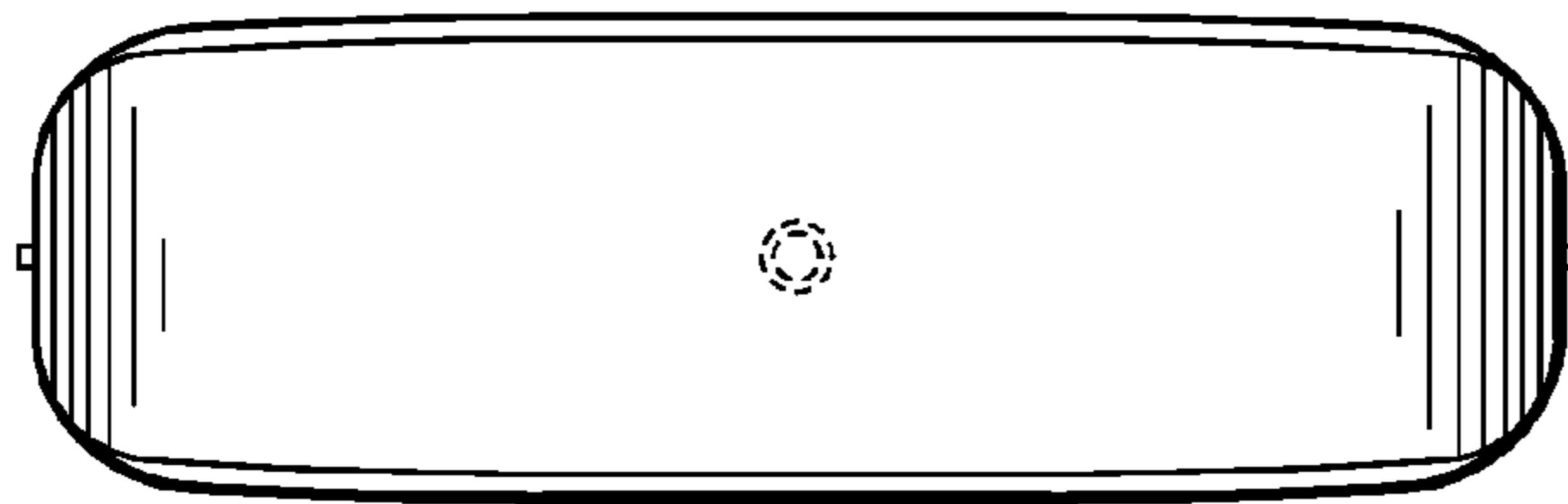


Fig. 5

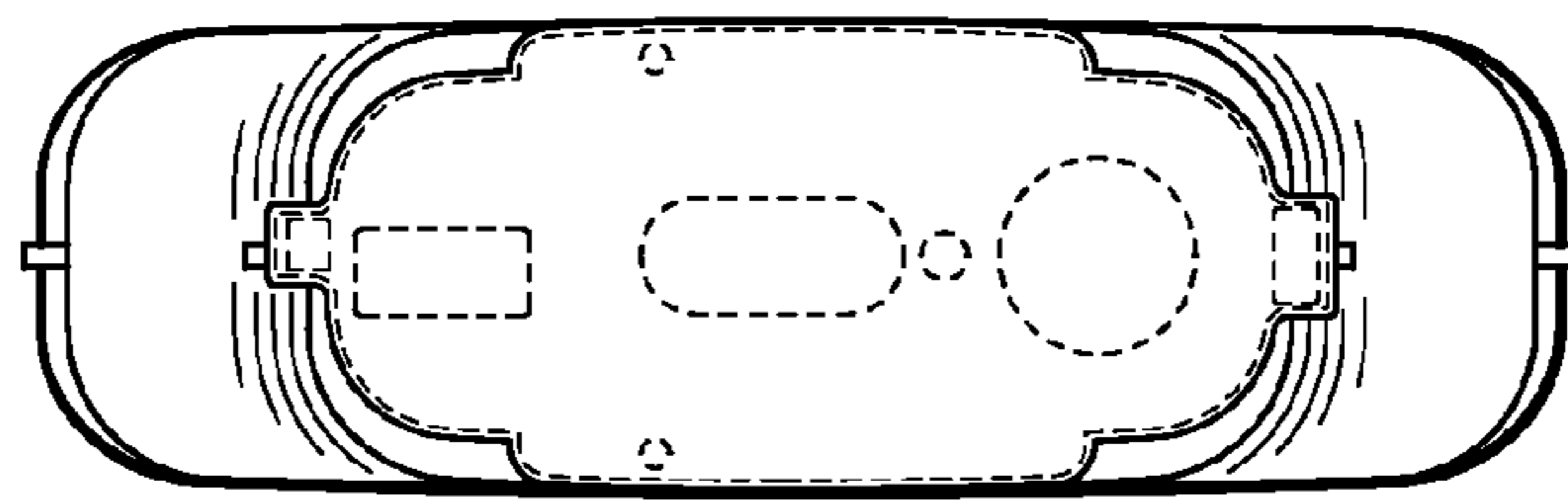


Fig. 6

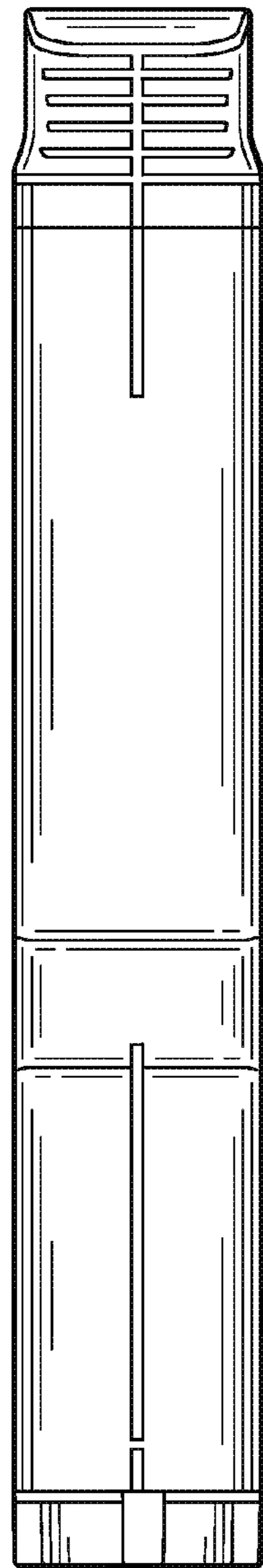


FIG. 2

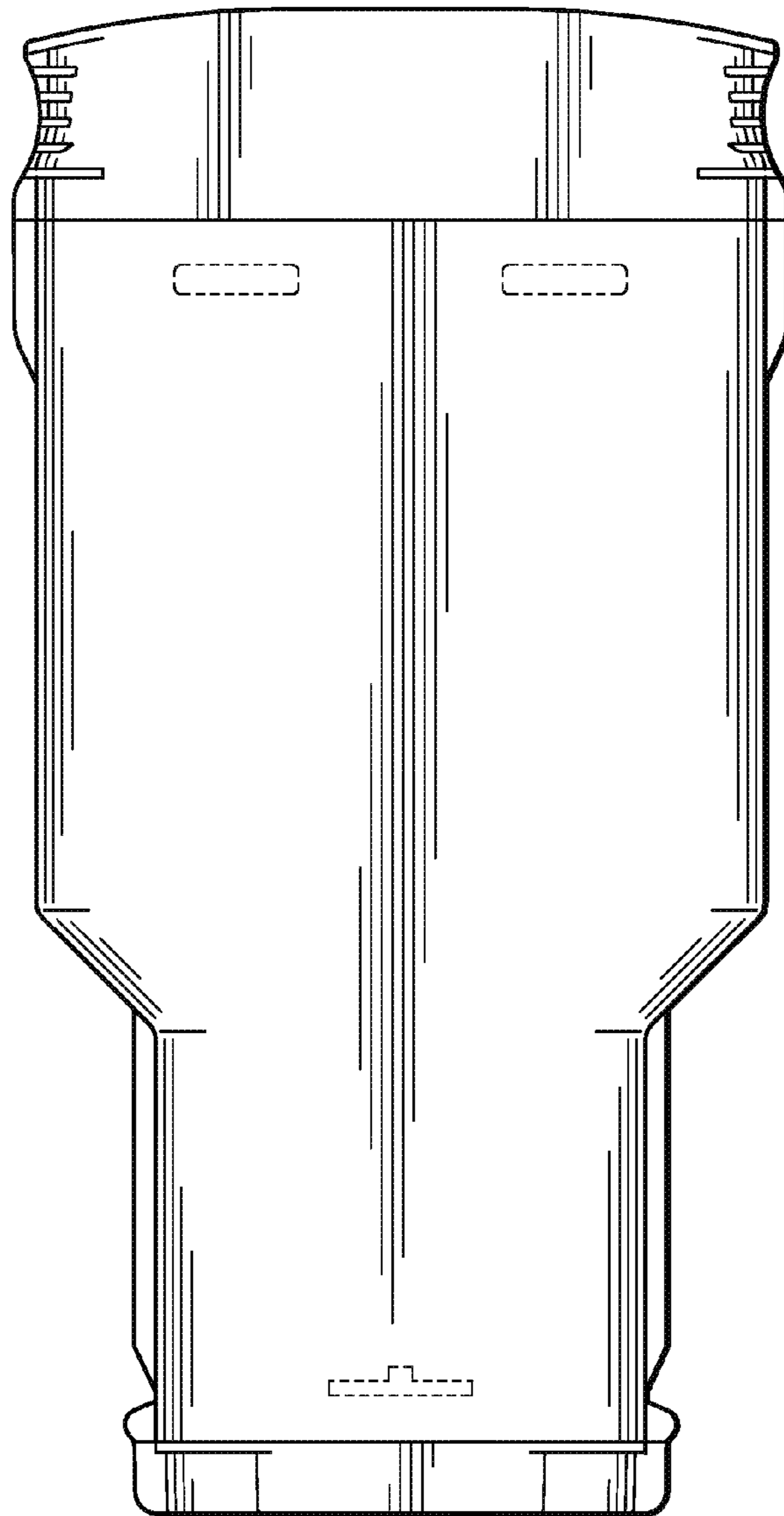


FIG. 3

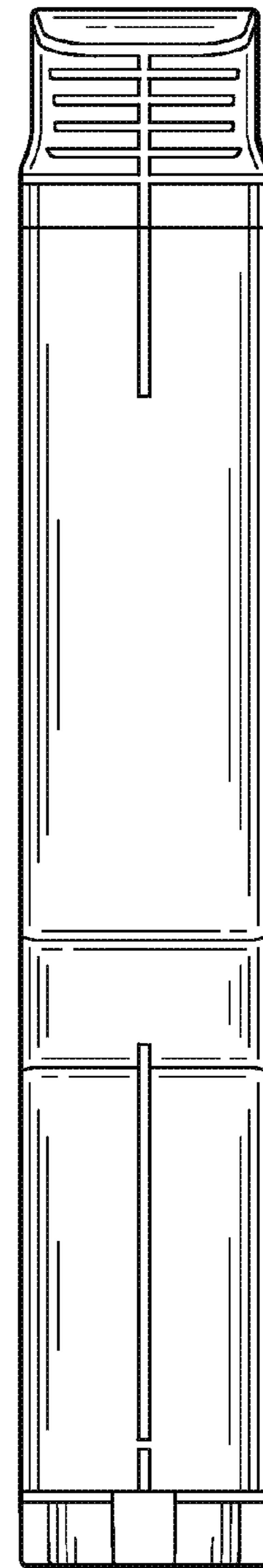


FIG. 4