



US00D637226S

(12) **United States Design Patent**
Sakuma et al.

(10) **Patent No.:** **US D637,226 S**

(45) **Date of Patent:** **** May 3, 2011**

(54) **PHOTOSENSITIVE DRUM UNIT**

(75) Inventors: **Susumu Sakuma**, Kasugai (JP);
Takeyuki Takagi, Nagoya (JP)

(73) Assignee: **Brother Industries, Ltd.**, Nagoya (JP)

(**) Term: **14 Years**

(21) Appl. No.: **29/358,509**

(22) Filed: **Mar. 29, 2010**

(30) **Foreign Application Priority Data**

Mar. 3, 2010 (JP) 2010-005045

(51) **LOC (9) Cl.** **16-03**

(52) **U.S. Cl.** **D18/43**

(58) **Field of Classification Search** D14/471;
D18/12, 36, 40, 43, 44, 56; 222/DIG. 1;
347/197, 222; 399/24-28, 107-112, 119,
399/121, 122, 222-224

See application file for complete search history.

(56) **References Cited**

U.S. PATENT DOCUMENTS

5,650,841	A *	7/1997	Matsuda et al.	399/111
D419,182	S *	1/2000	Tsuda et al.	D18/43
D423,559	S *	4/2000	Suzuki et al.	D18/40
D447,511	S *	9/2001	Kimura et al.	D18/40
D471,583	S	3/2003	Okabe et al.	
D487,108	S	2/2004	Morita et al.	
D507,295	S	7/2005	Ishii et al.	
D509,239	S	9/2005	Ishii et al.	
D521,545	S	5/2006	Ishii et al.	
D523,894	S	6/2006	Ishii et al.	
D523,895	S	6/2006	Ishii et al.	

D523,896	S	6/2006	Ishii et al.	
D550,763	S	9/2007	Ishikawa et al.	
D551,285	S	9/2007	Ishikawa et al.	
D579,970	S	11/2008	Kamimura et al.	
D588,189	S	3/2009	Kamimura et al.	
D588,632	S	3/2009	Kamimura et al.	
D594,899	S	6/2009	Ogasawara et al.	
D594,900	S	6/2009	Ogasawara et al.	
D601,184	S	9/2009	Ogasawara et al.	
2006/0245786	A1 *	11/2006	Suzuki	399/111
2010/0129111	A1 *	5/2010	Tamura	399/111

OTHER PUBLICATIONS

U.S. Appl. No. 29/334,217 filed Mar. 23, 2009, Fumikazu Sato.

* cited by examiner

Primary Examiner — Garth Rademaker

(74) *Attorney, Agent, or Firm* — Oliff & Berridge, PLC

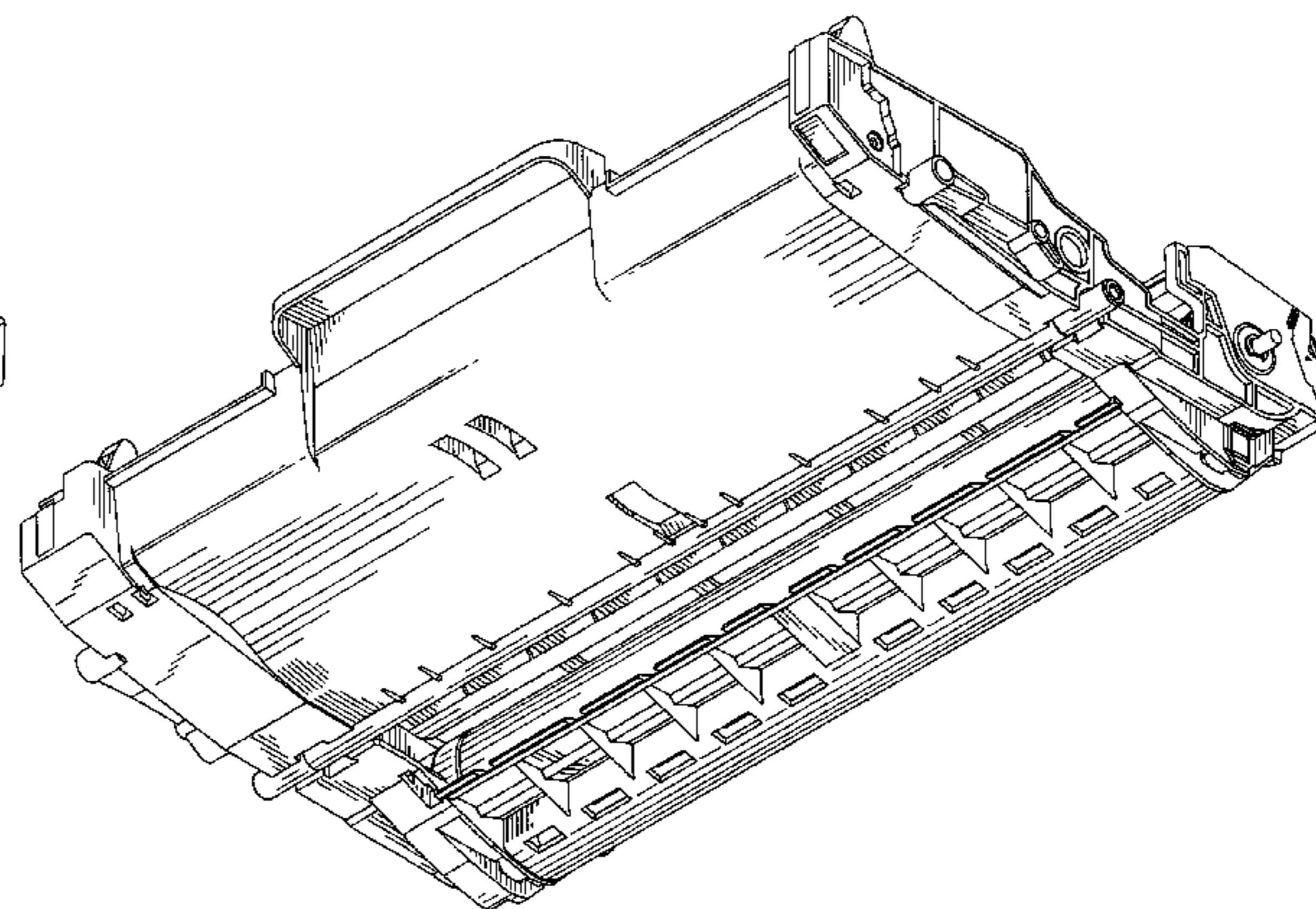
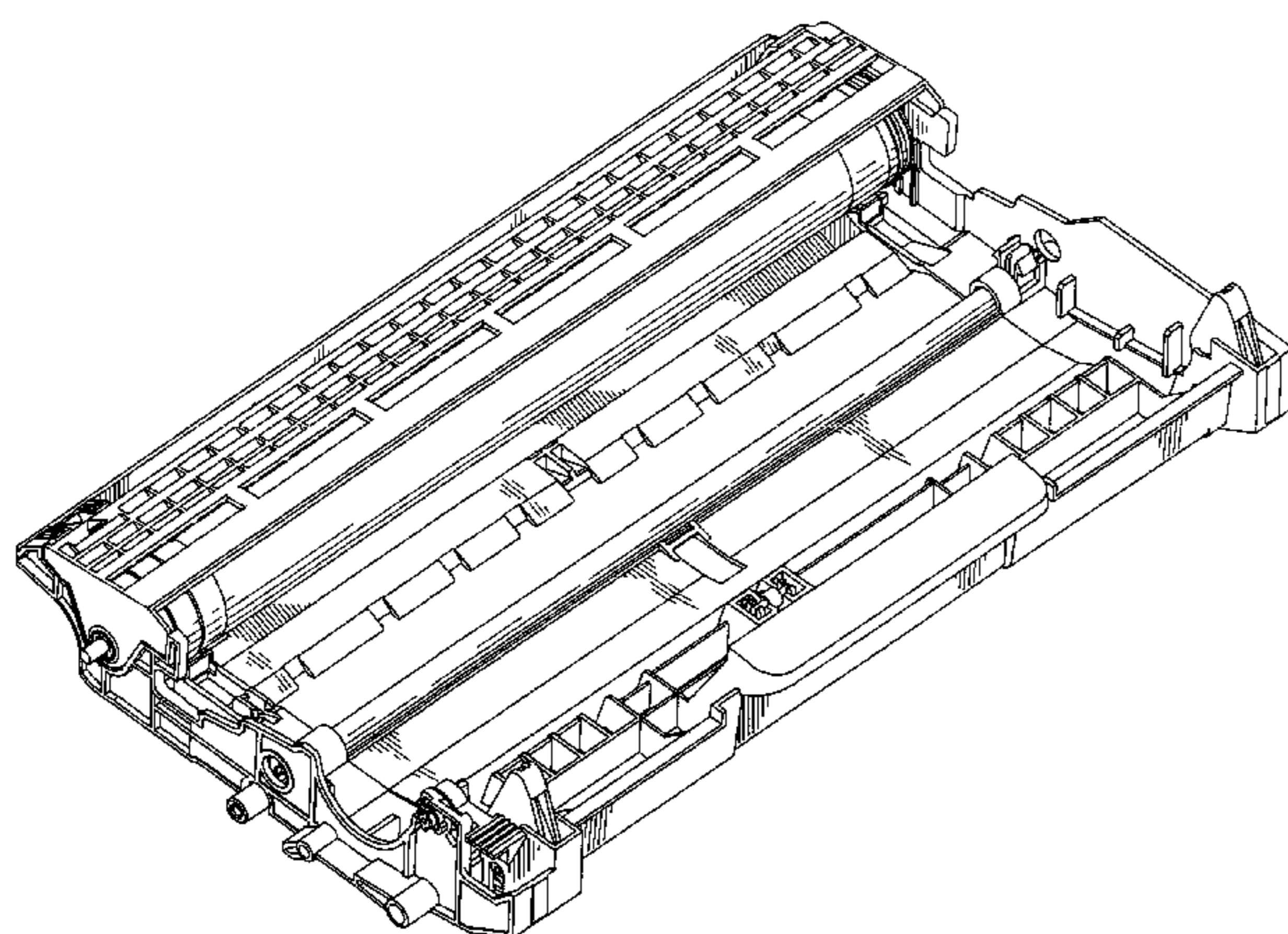
(57) **CLAIM**

The ornamental design for a photosensitive drum unit, as shown and described.

DESCRIPTION

FIG. 1 is a perspective view of a photosensitive drum unit; FIG. 2 is a front view thereof; FIG. 3 is a top view thereof; FIG. 4 is a right-side view thereof; FIG. 5 is a left-side view thereof; FIG. 6 is a rear view thereof; FIG. 7 is a bottom view thereof; and, FIG. 8 is another perspective view thereof. The broken lines depict environmental subject matter only and form no part of the claimed design.

1 Claim, 7 Drawing Sheets



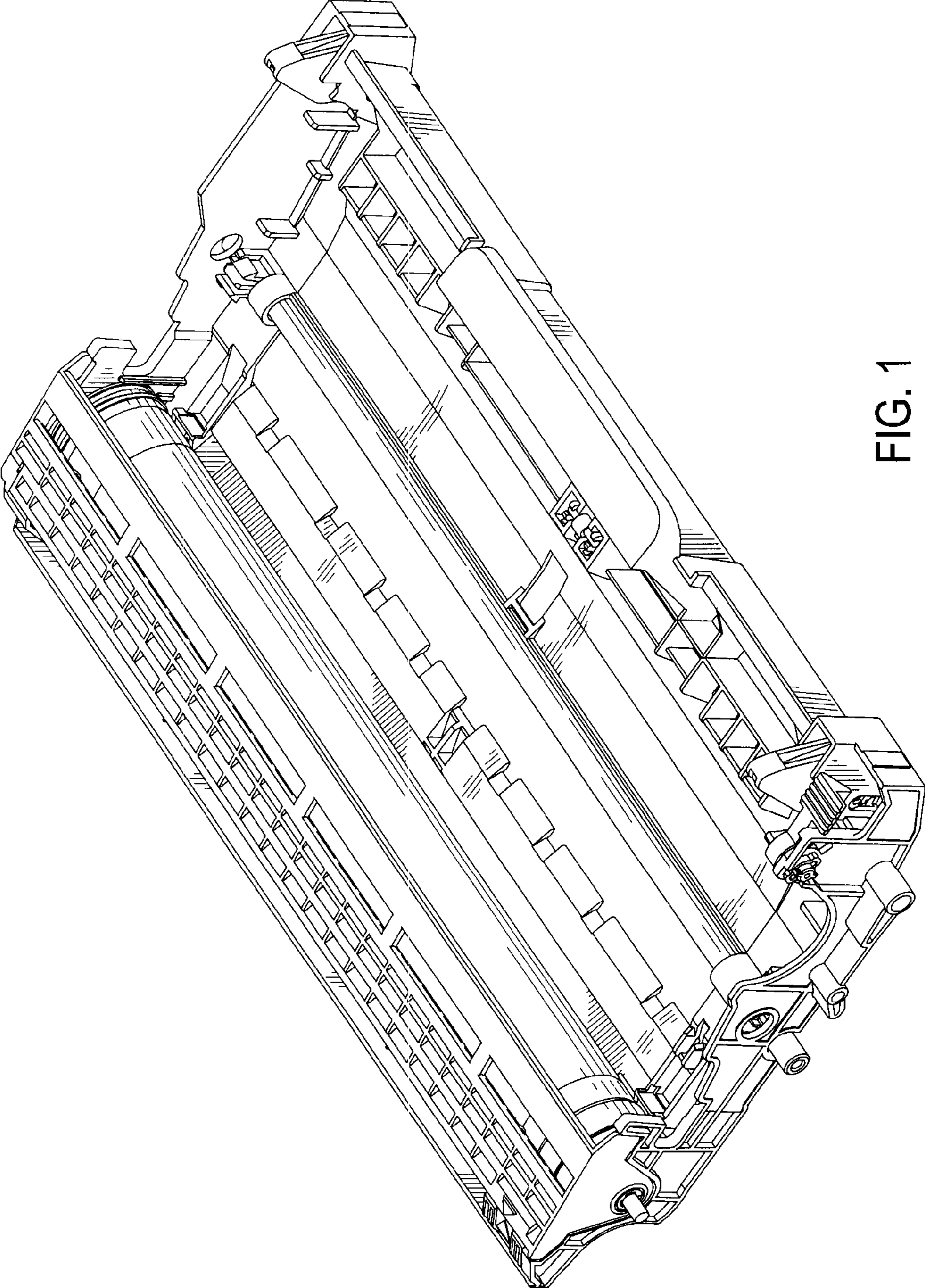


FIG. 1

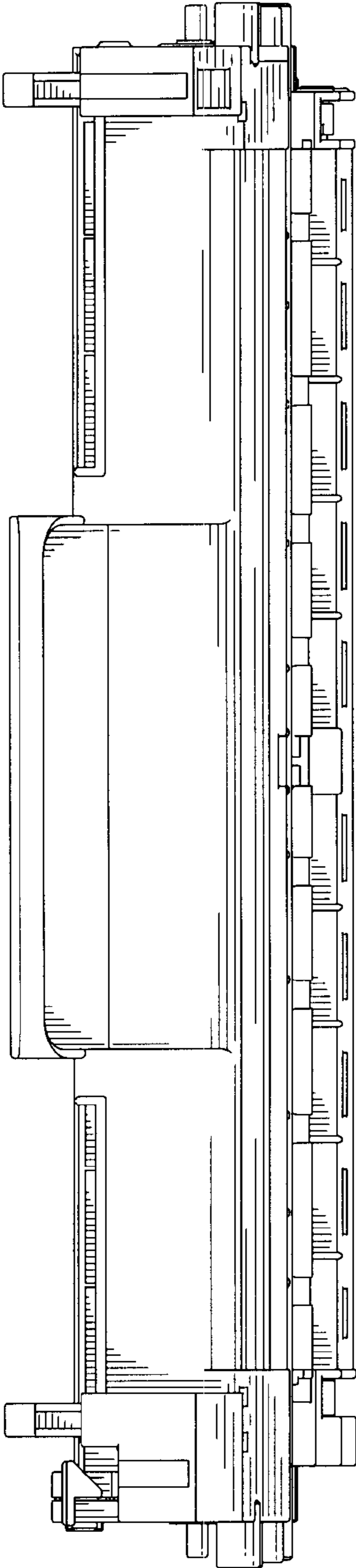


FIG. 2

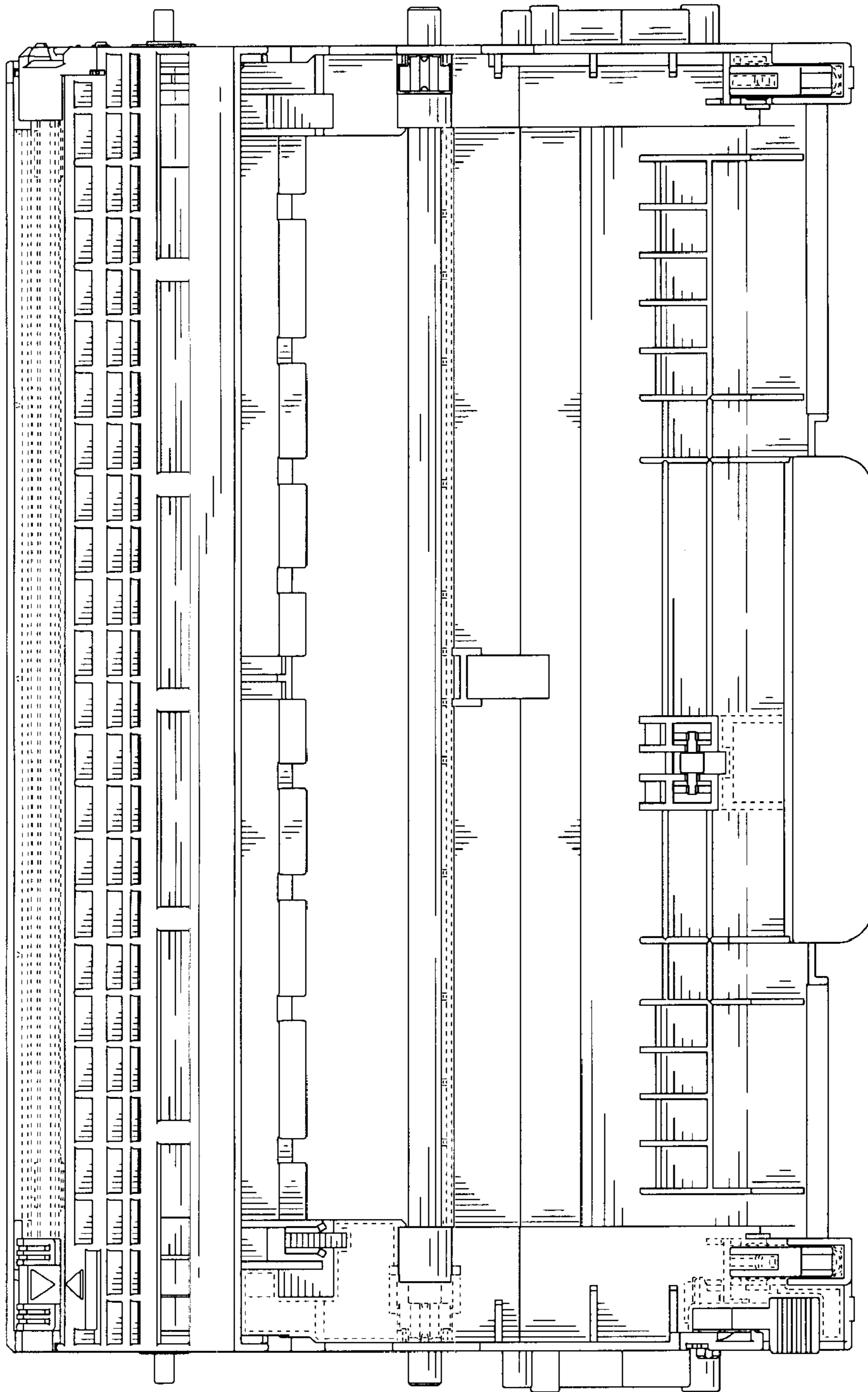


FIG. 3

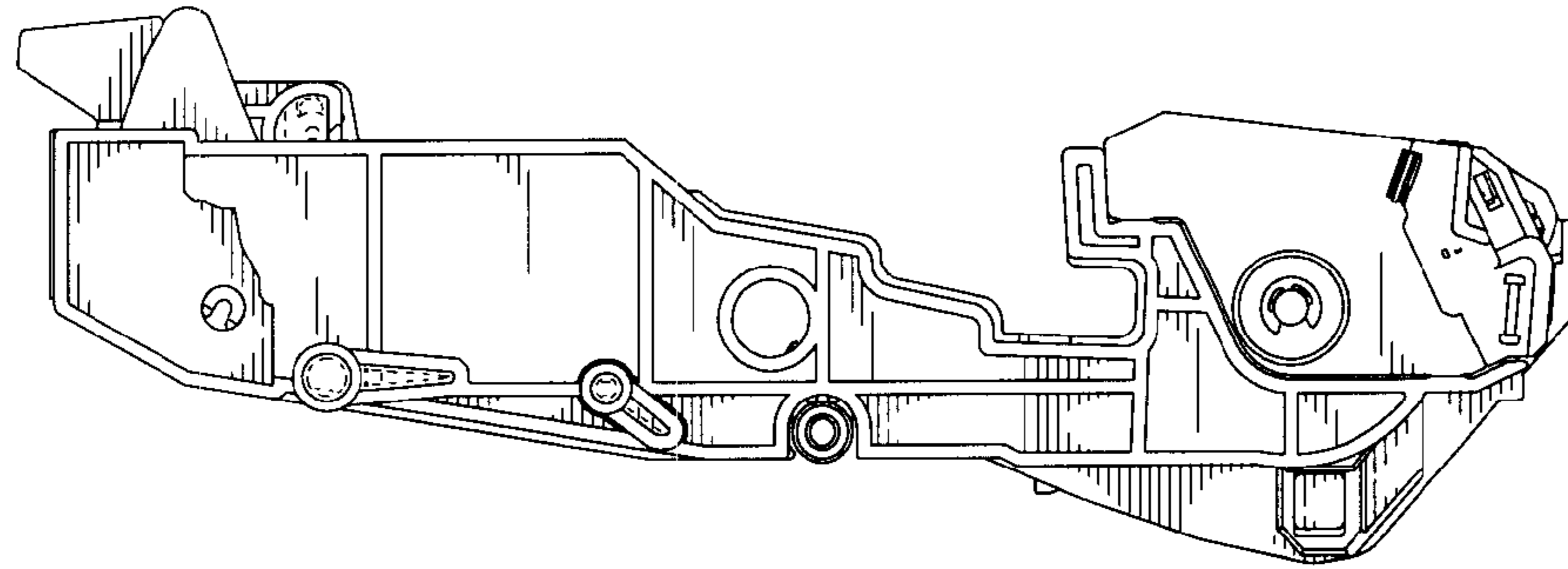


FIG. 4

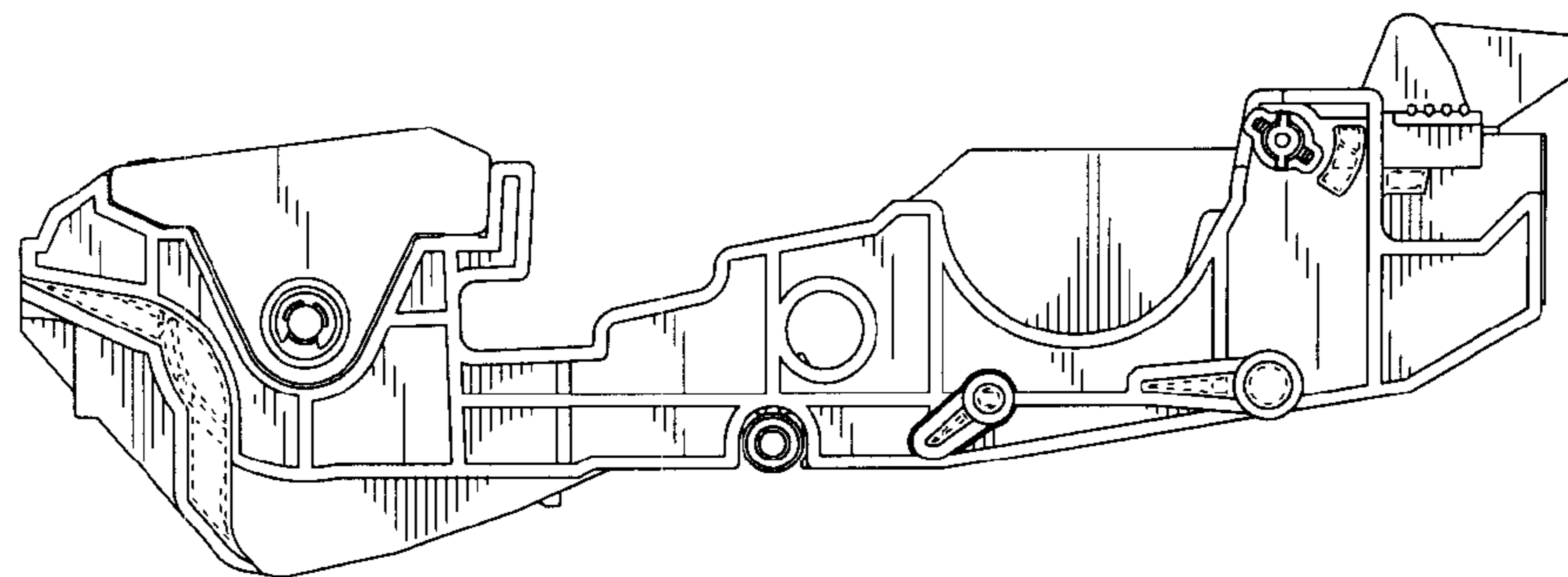


FIG. 5

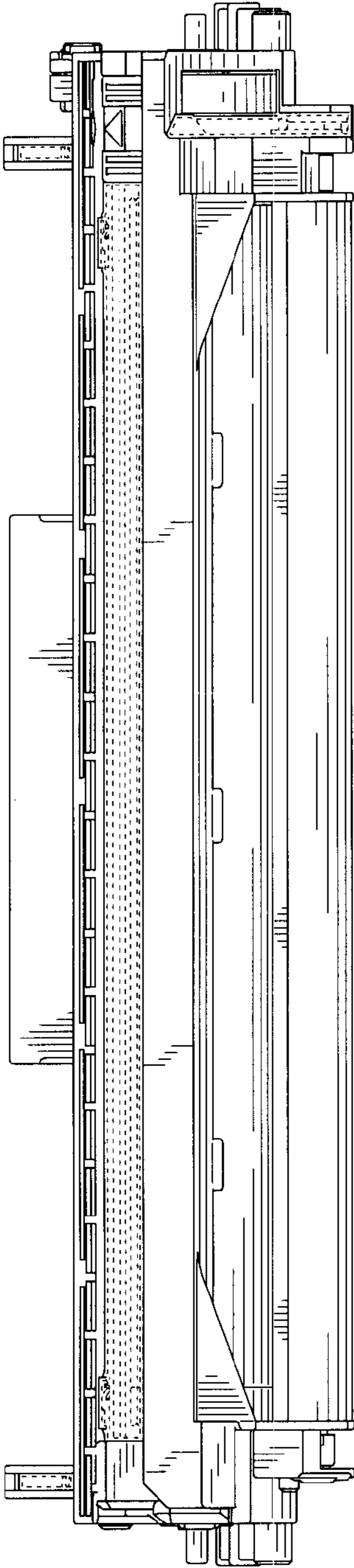


FIG. 6

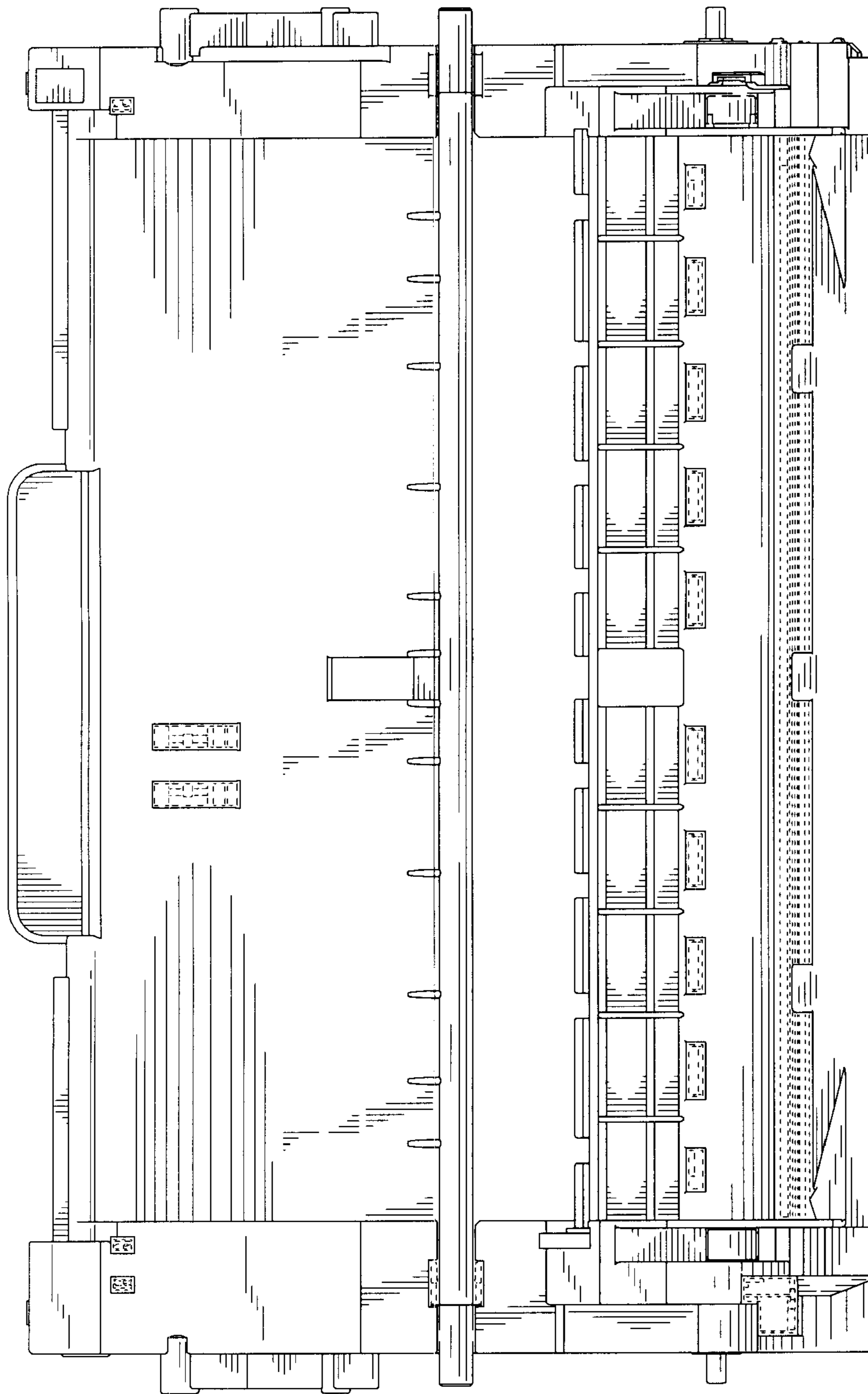


FIG. 7

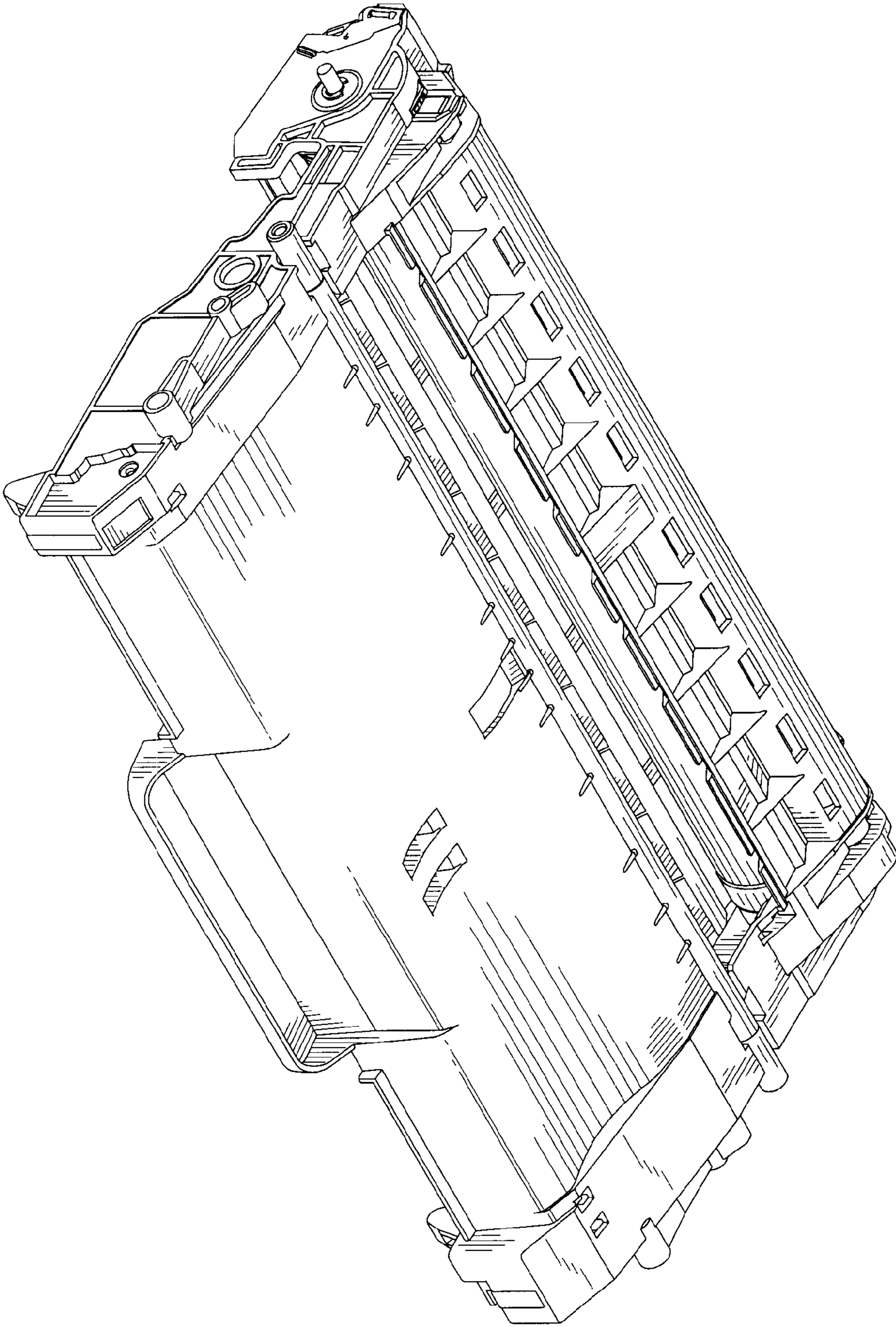


FIG. 8