



US00D637224S

(12) **United States Design Patent**
Smith

(10) **Patent No.:** **US D637,224 S**

(45) **Date of Patent:** **** May 3, 2011**

(54) **MUSIC BOX**

(76) Inventor: **Iris Smith**, Beverly Hills, CA (US)

(**) Term: **14 Years**

(21) Appl. No.: **29/367,978**

(22) Filed: **Aug. 16, 2010**

(51) **LOC (9) Cl.** **17-05**

(52) **U.S. Cl.** **D17/24**

(58) **Field of Classification Search** D17/24,
D17/99; 84/600, 94.1-95.2; D21/405; 446/297,
446/298, 302, 397, 408

See application file for complete search history.

(56) **References Cited**

U.S. PATENT DOCUMENTS

283,307 A *	8/1883	Weeden	84/94.1
D64,457 S	4/1924	Karpeles	
D103,251 S	2/1937	Pullen	
D155,277 S	9/1949	Fausel	
D164,003 S	7/1951	Kelley	
D169,095 S	3/1953	Petry	
D182,975 S	6/1958	Robinson	
D206,487 S	12/1966	Ryan	
D222,595 S	11/1971	Waldemar	
D285,333 S *	8/1986	Enk	D23/213
D326,676 S	6/1992	Wolff	
D333,166 S	2/1993	Caveza	
5,665,926 A *	9/1997	Chen	84/95.2

5,760,318 A *	6/1998	Yang	84/95.2
D605,688 S	12/2009	Germann	
D606,595 S *	12/2009	Levy et al.	D21/405

* cited by examiner

Primary Examiner — Ian Simmons

Assistant Examiner — Rashida Johnson

(74) *Attorney, Agent, or Firm* — QuickPatents, Inc.; Kevin Prince

(57) **CLAIM**

What is claimed is the ornamental design for a music box, as shown and described.

DESCRIPTION

FIG. 1 is a perspective view of a music box, showing the new design in a closed position;

FIG. 2 is a front elevational view thereof;

FIG. 3 is a rear elevational view thereof;

FIG. 4 is a right-side elevational view thereof, the left-side elevational view being a mirror image thereof;

FIG. 5 is a top plan view thereof;

FIG. 6 is a bottom plan view thereof;

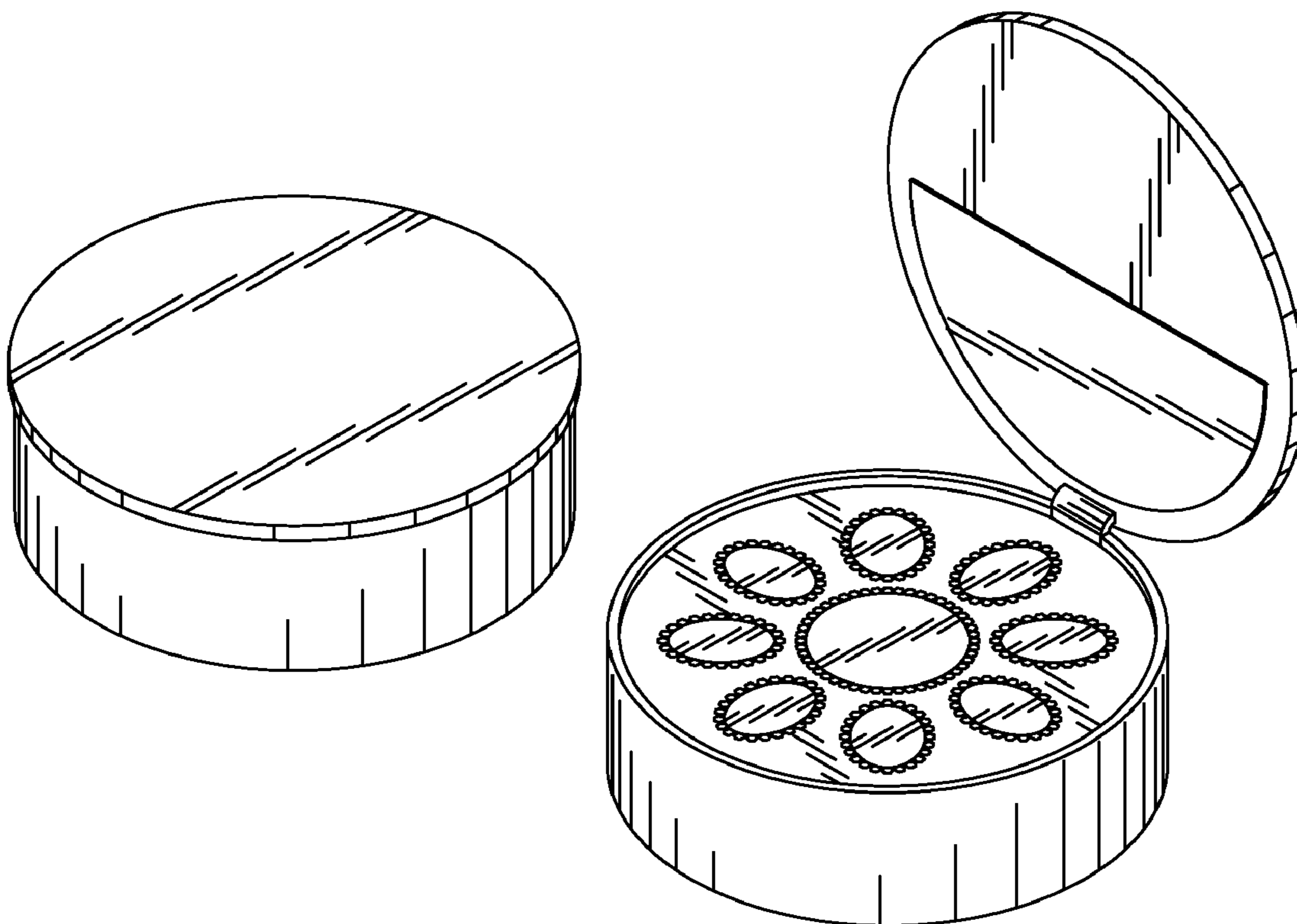
FIG. 7 is a perspective view thereof, showing the new design in an open position;

FIG. 8 is a top plan view of FIG. 7; and,

FIG. 9 is a front elevational view of FIG. 7.

The broken lines showing legs in FIGS. 2, 3, 4 6 and 9 depict environmental matter, and form no part of the claimed design.

1 Claim, 2 Drawing Sheets



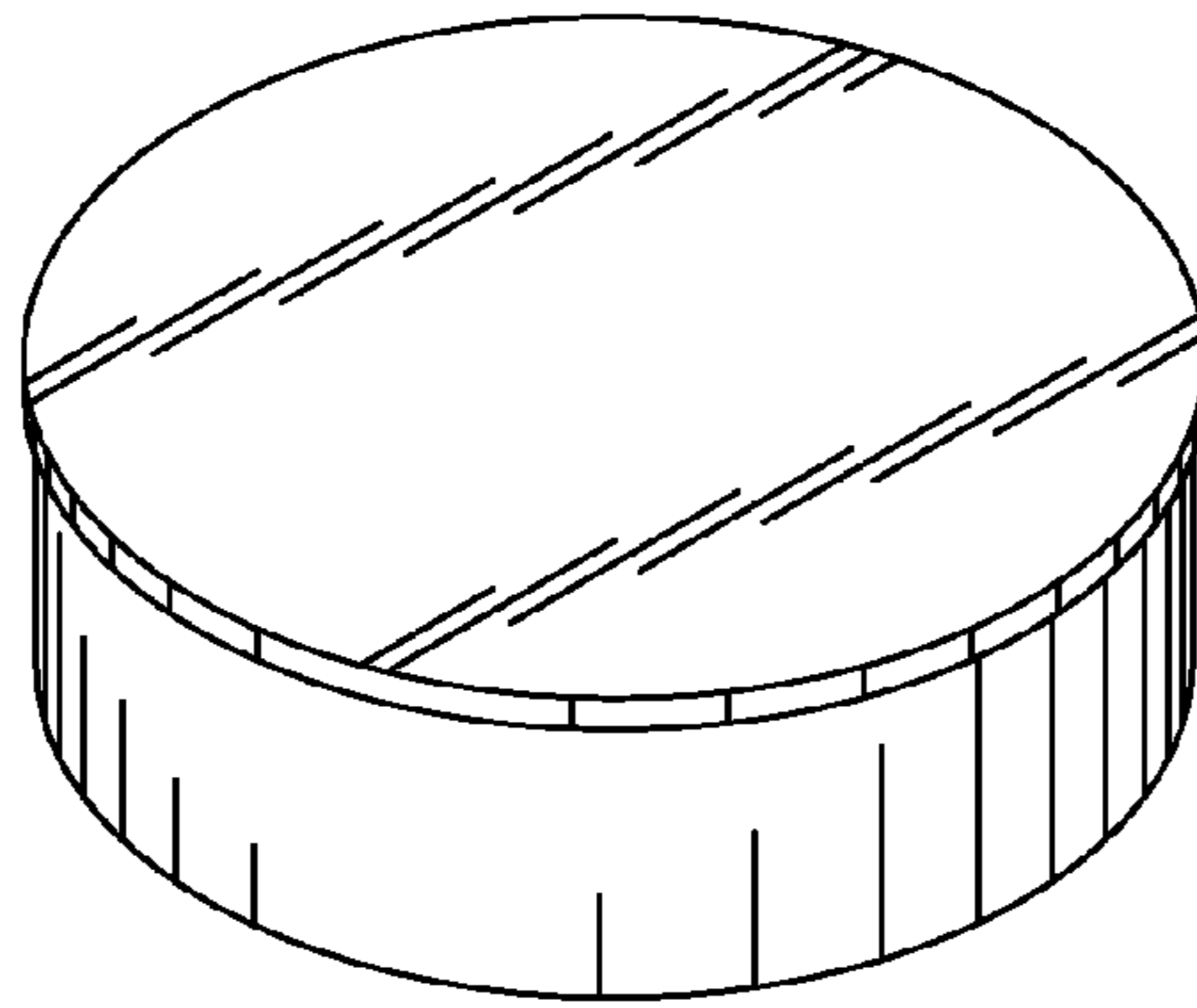


FIG. 1

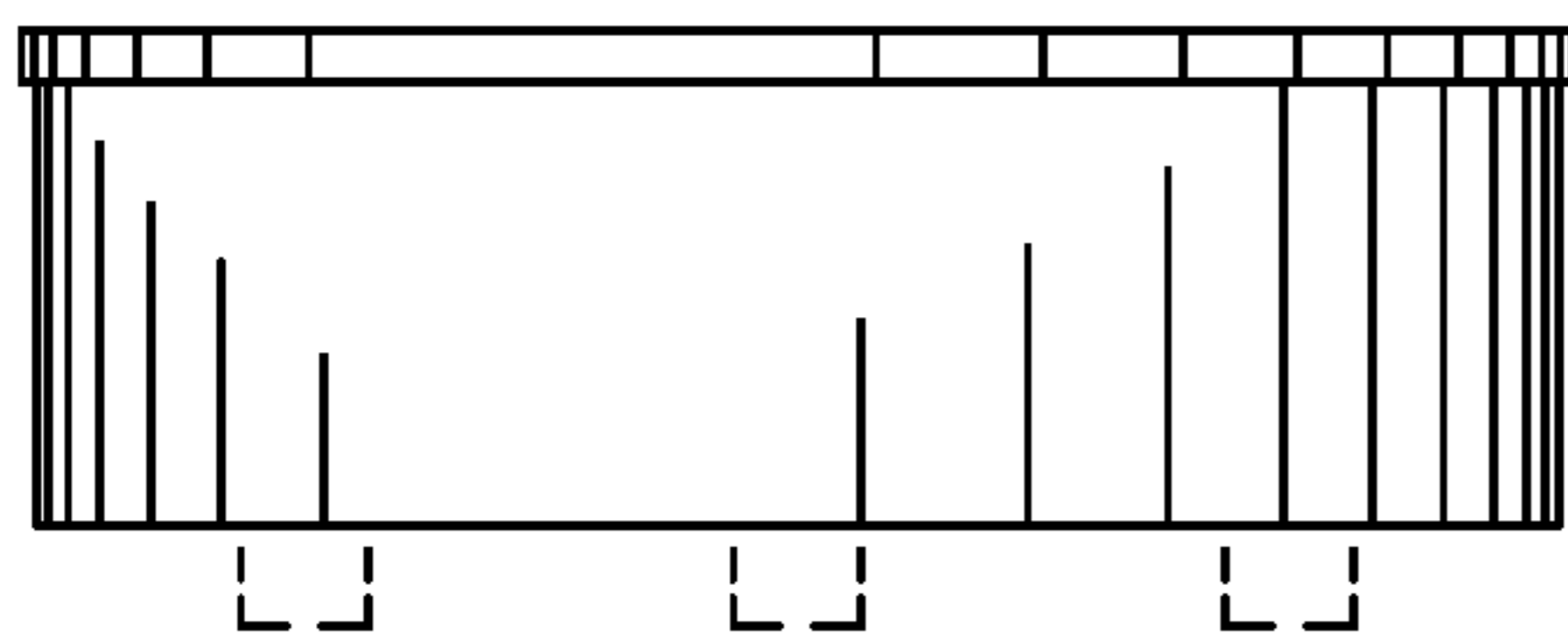


FIG. 2

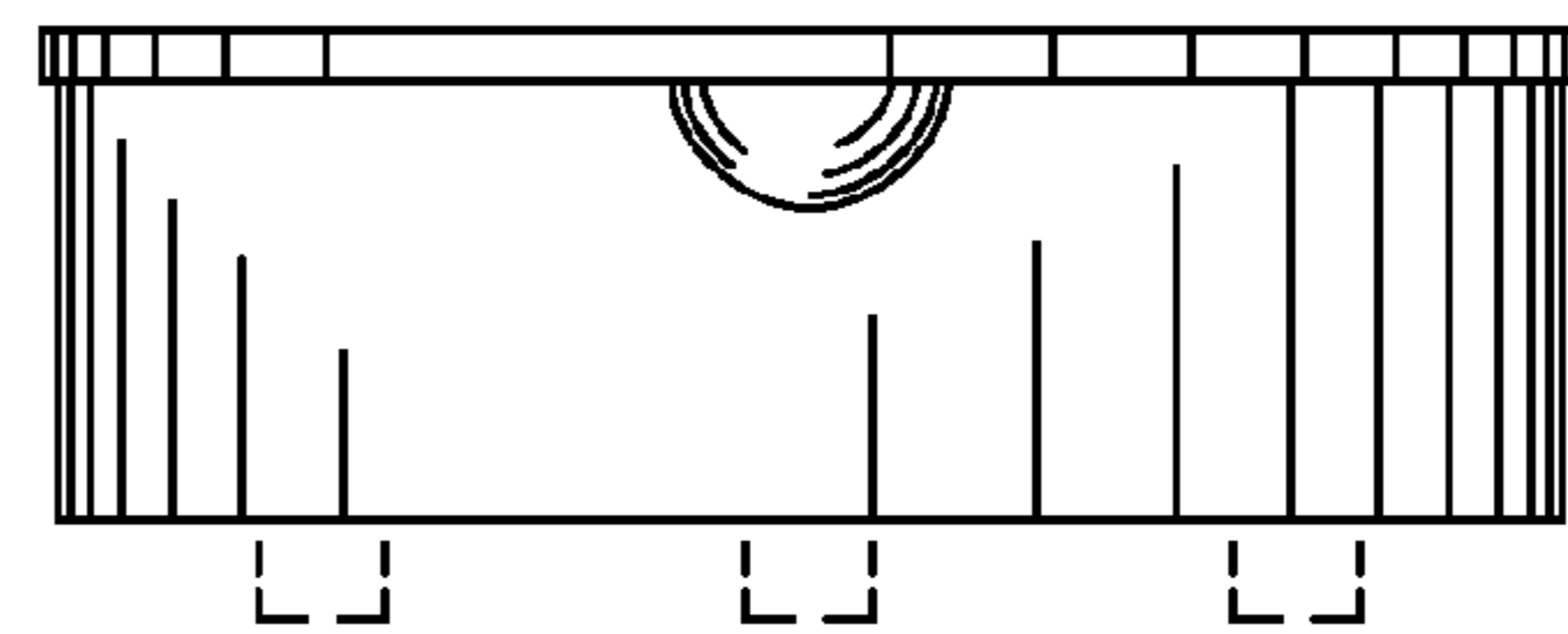


FIG. 3

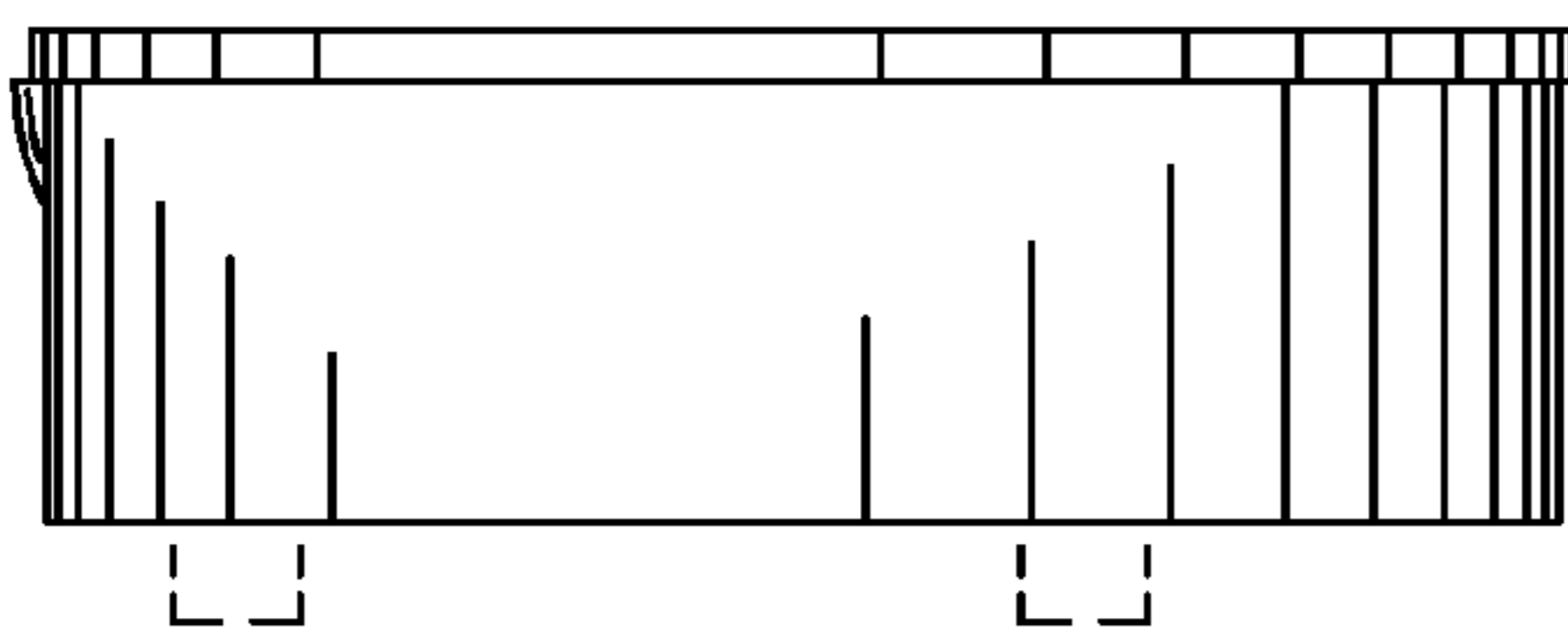


FIG. 4

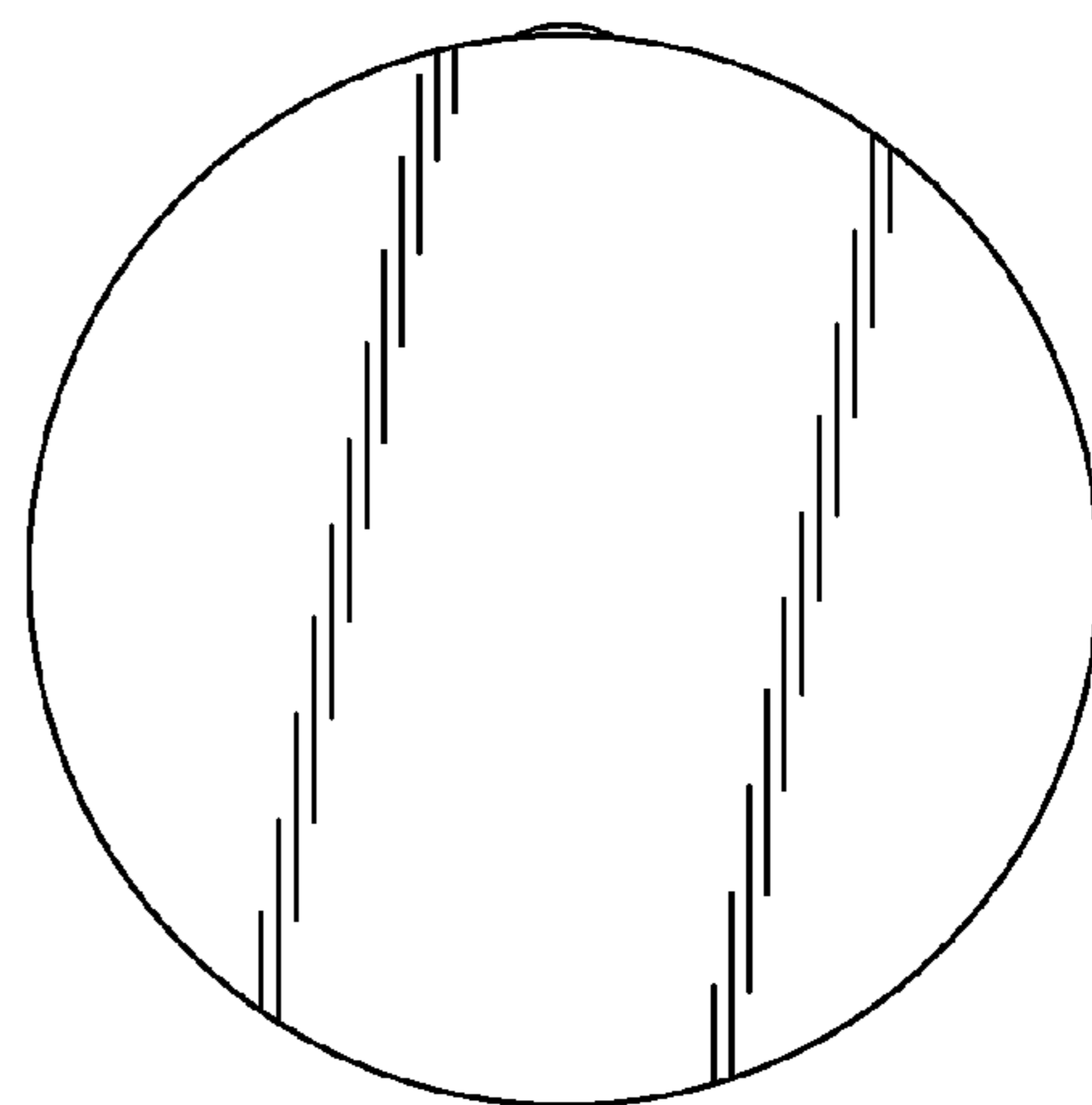


FIG. 5

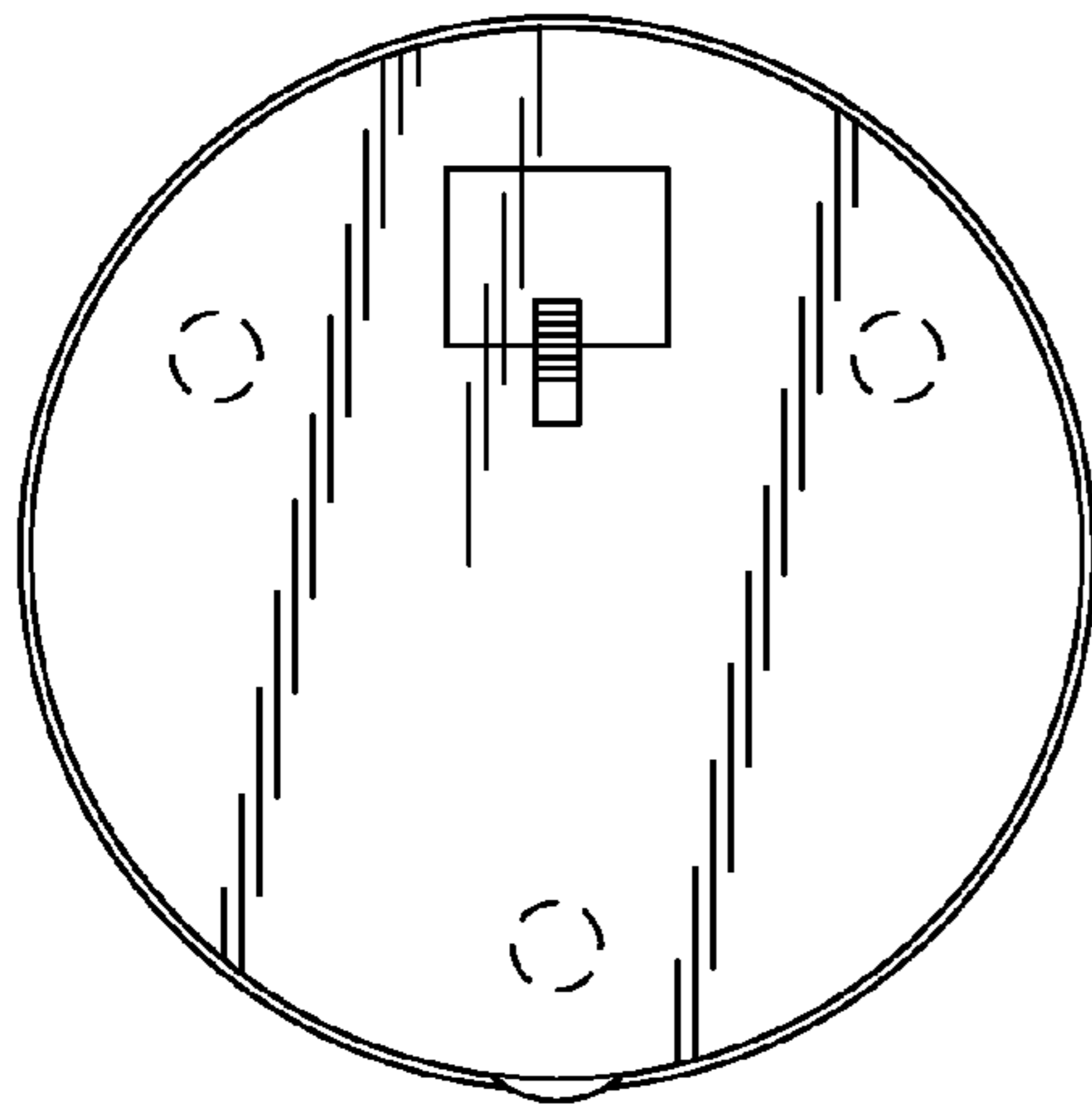


FIG. 6

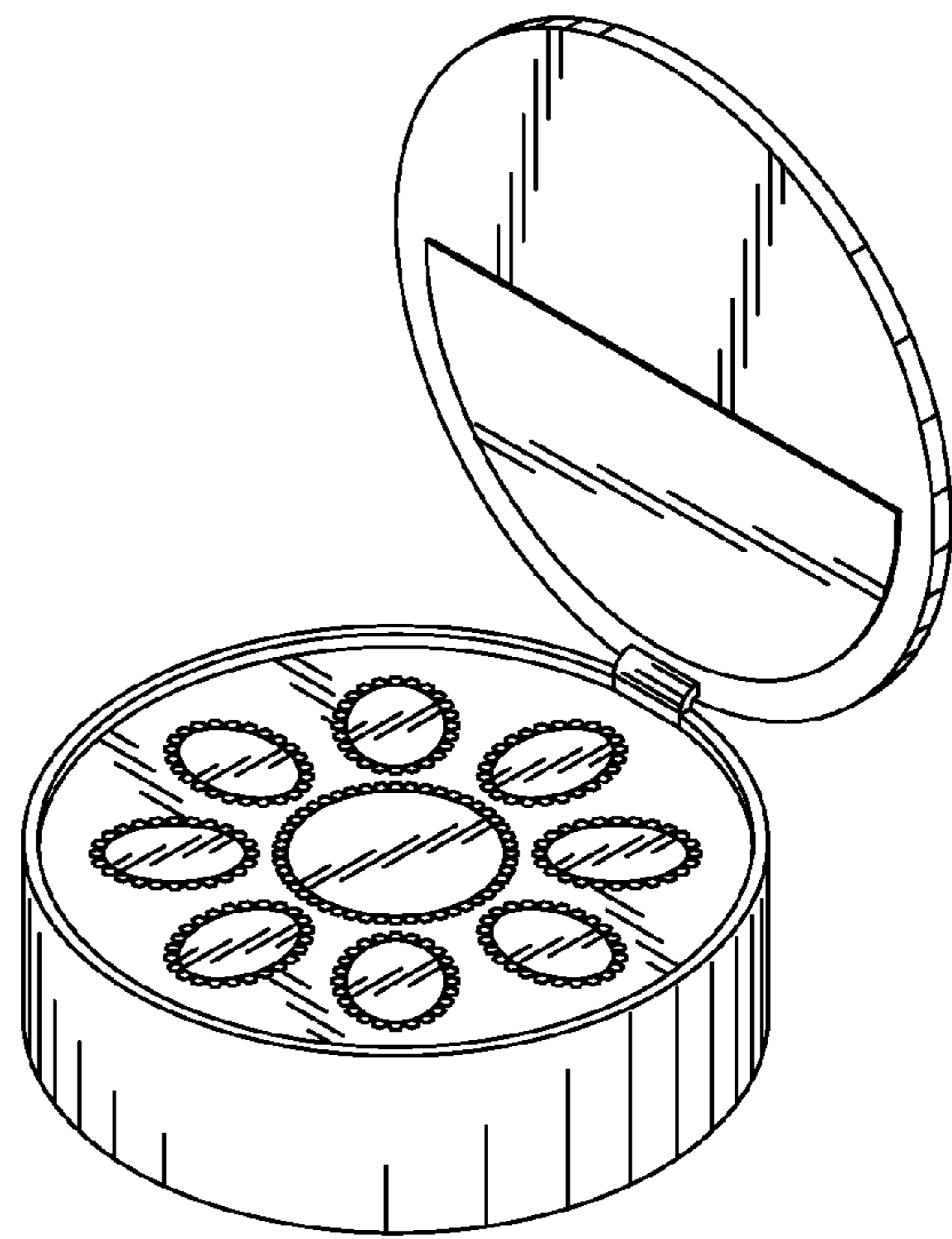


FIG. 7

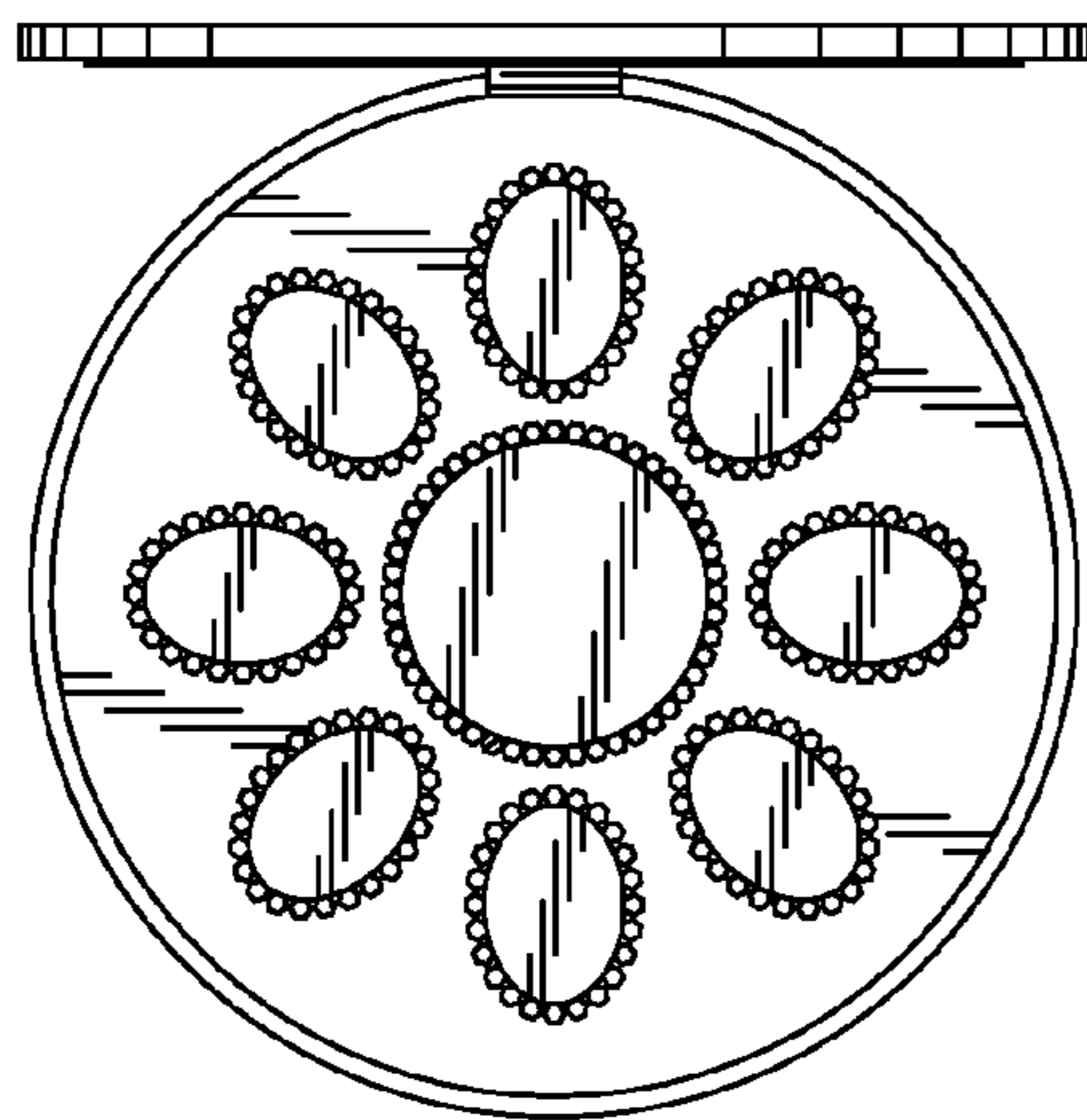


FIG. 8

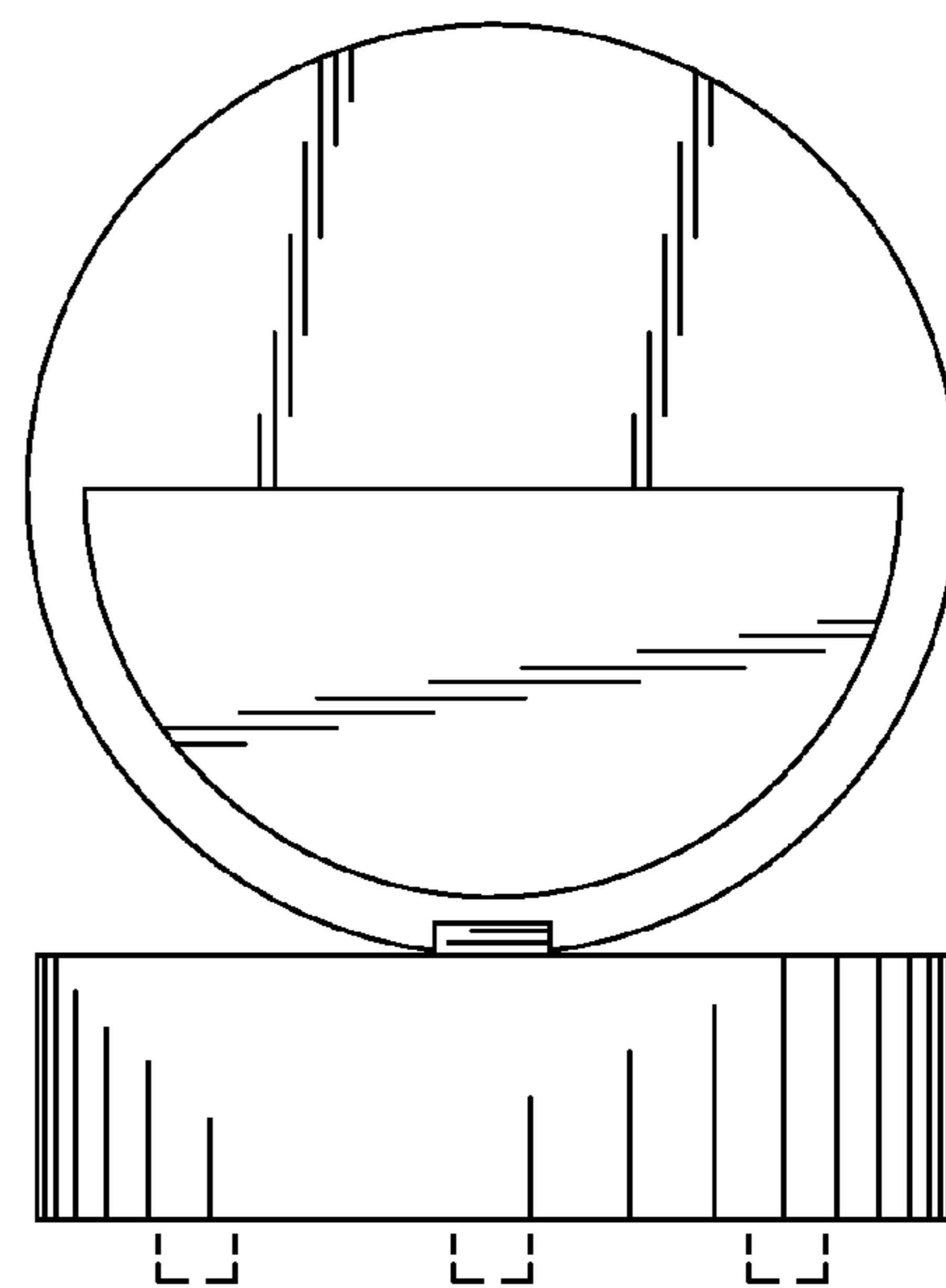


FIG. 9