



US00D637222S

(12) **United States Design Patent**
Jang et al.

(10) **Patent No.:** **US D637,222 S**

(45) **Date of Patent:** **** May 3, 2011**

(54) **CAMCORDER**

(75) Inventors: **Young-Sang Jang**, Annyang-si (KR);
Tomohiro Harata, Tokyo (JP)

(73) Assignee: **Samsung Electronics Co., Ltd.**,
Maetan-dong, Yeongtong-gu, Suwon-si,
Gyeonggi-do (KR)

(**) **Term:** **14 Years**

(21) **Appl. No.:** **29/358,502**

(22) **Filed:** **Mar. 29, 2010**

(51) **LOC (9) Cl.** **16-01**

(52) **U.S. Cl.** **D16/203**

(58) **Field of Classification Search** D16/200–205,
D16/208, 218; 348/373–376; 358/906; 396/427,
396/535–541

See application file for complete search history.

(56) **References Cited**

U.S. PATENT DOCUMENTS

6,683,654 B1 * 1/2004 Haijima 348/374
D529,063 S * 9/2006 Cheng D16/203
D584,753 S * 1/2009 Chung et al. D16/202

D584,754 S * 1/2009 Chung et al. D16/202
D600,731 S * 9/2009 Lee et al. D16/203
D612,408 S * 3/2010 Yamakawa D16/203
D618,717 S * 6/2010 Frank et al. D16/203
2008/0111914 A1 * 5/2008 Takahashi et al. 348/373

* cited by examiner

Primary Examiner — Adir Aronovich

(74) *Attorney, Agent, or Firm* — Lexyoume IP Group, PLLC

(57) **CLAIM**

The ornamental design for a camcorder, as shown and described.

DESCRIPTION

FIG. 1 is a front and right side perspective view of a camcorder showing our new design;
FIG. 2 is a front elevational view thereof;
FIG. 3 is a rear elevational view thereof;
FIG. 4 is a left side elevational view thereof;
FIG. 5 is a right side elevational view thereof;
FIG. 6 is a top plan view thereof;
FIG. 7 is a bottom plan view thereof; and,
FIG. 8 is rear elevational view of a camcorder thereof, with the display being in an open position.

1 Claim, 8 Drawing Sheets

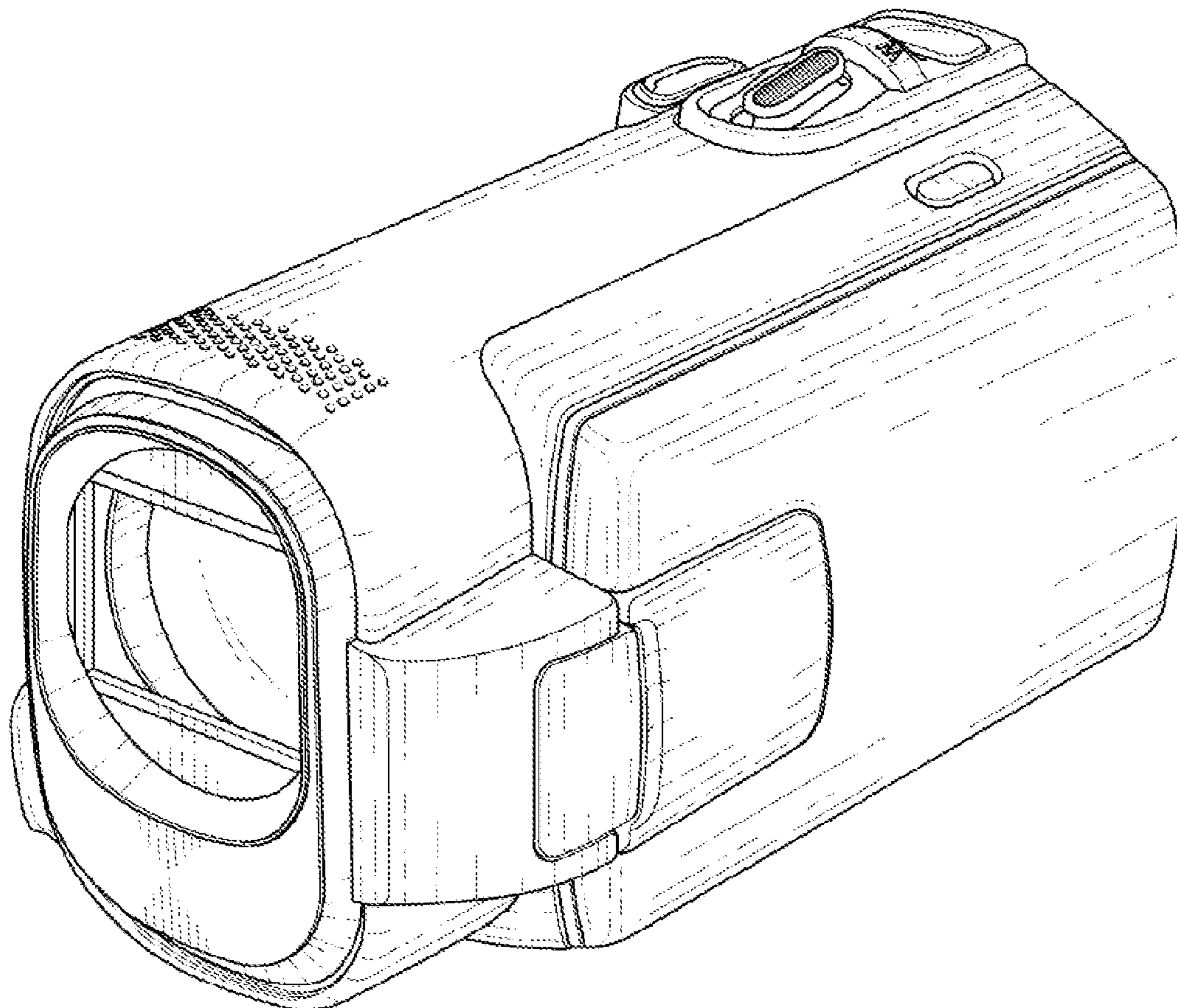


FIG. 1

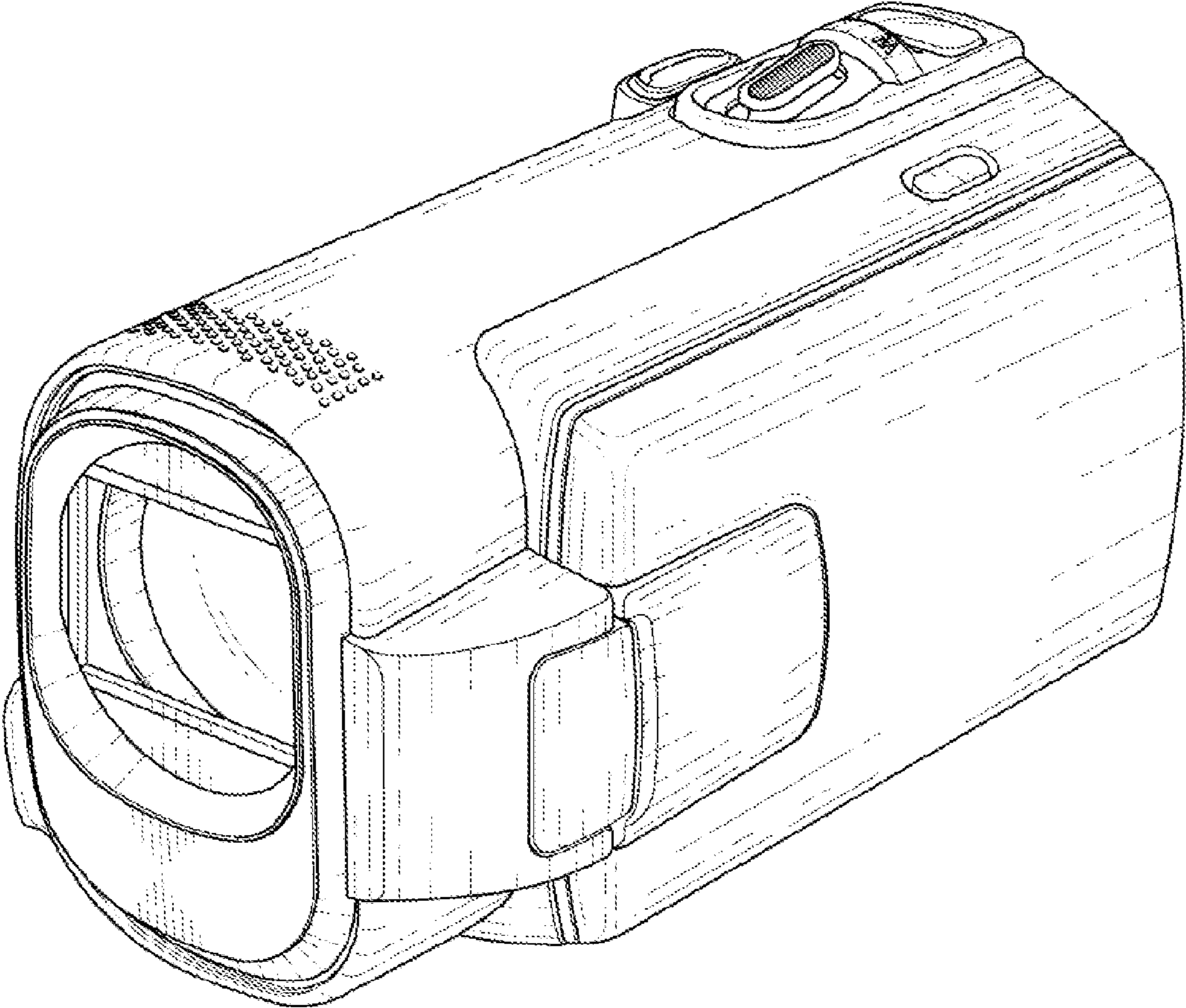


FIG. 2

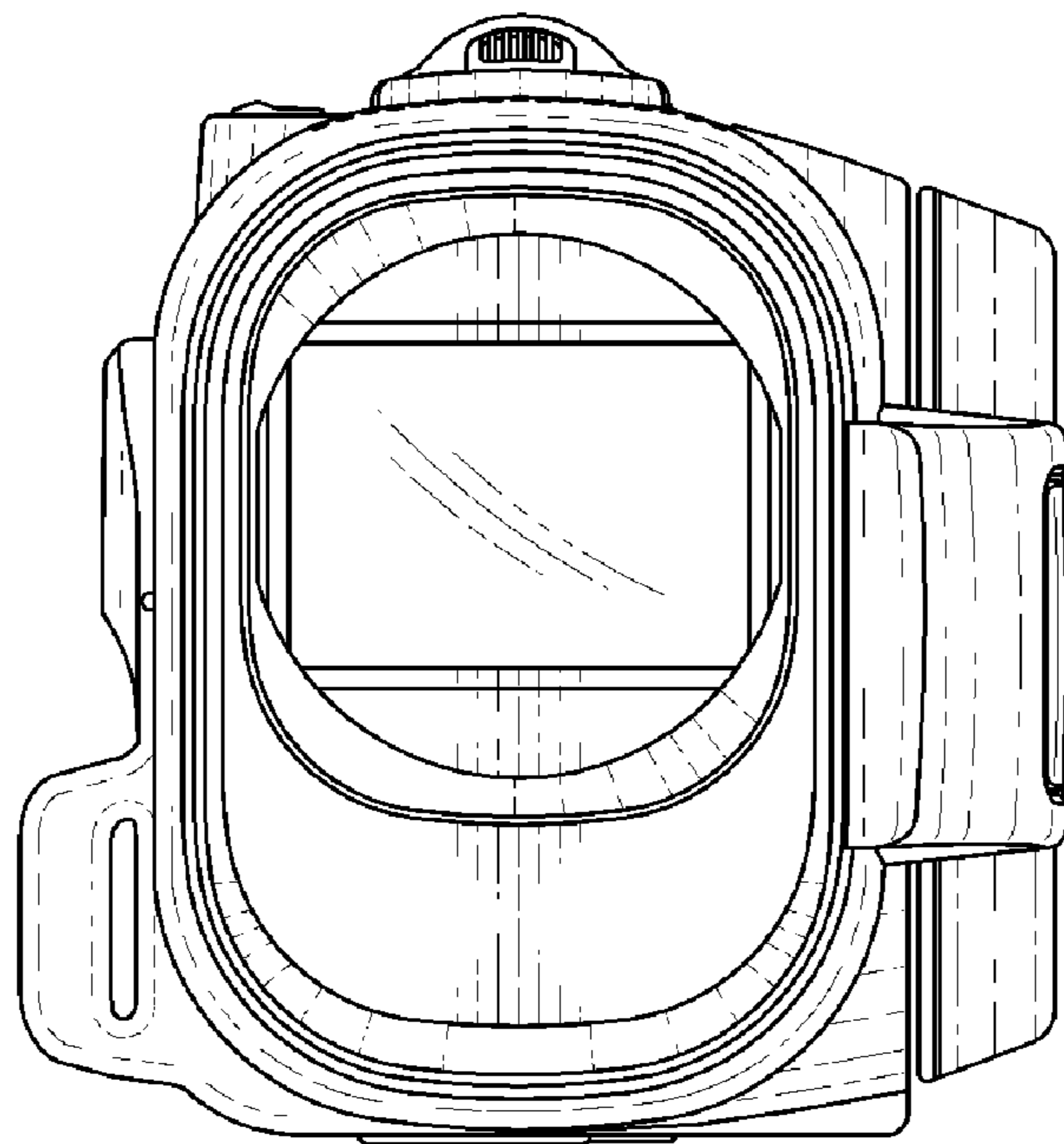


FIG. 3

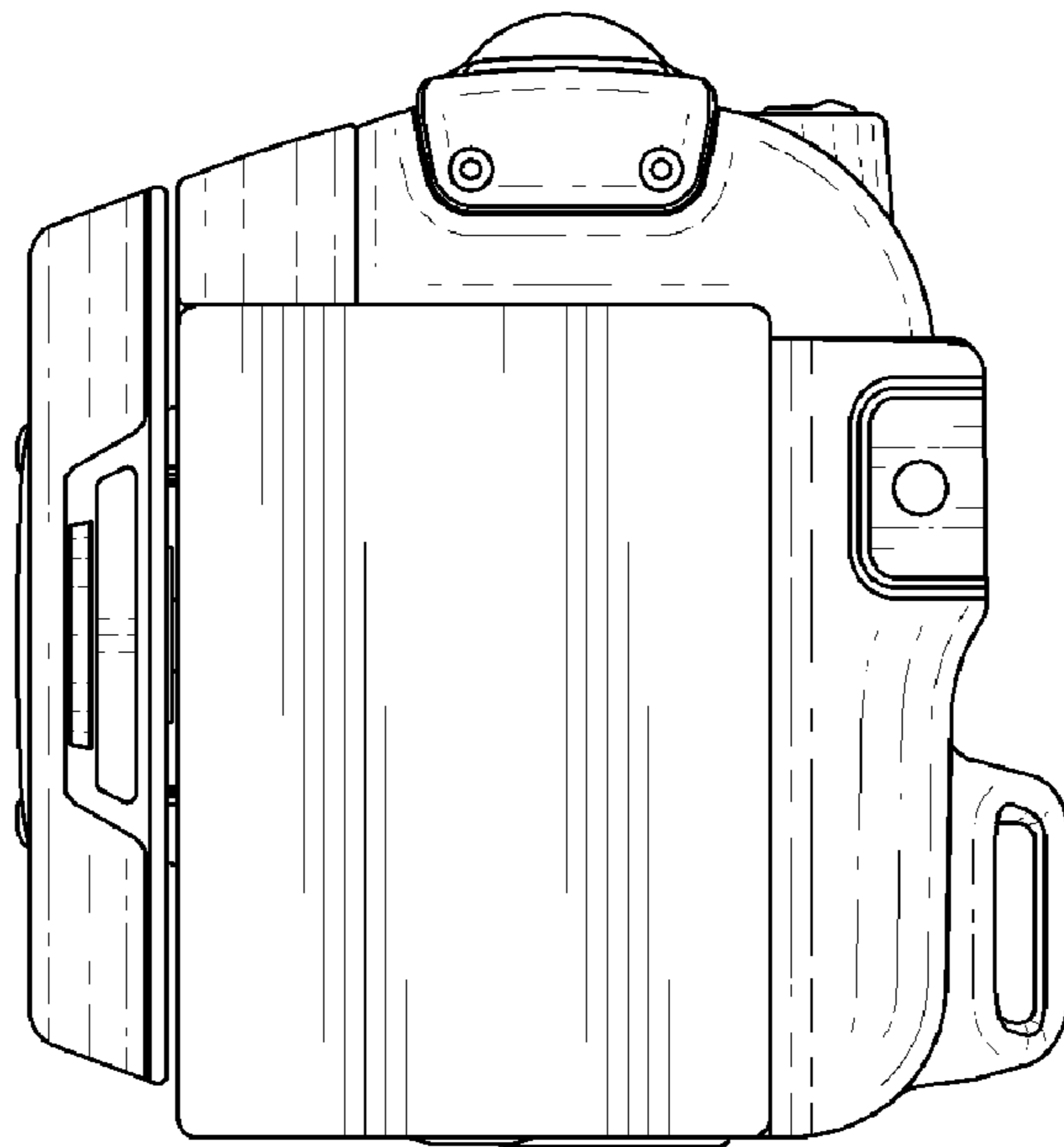


FIG. 4

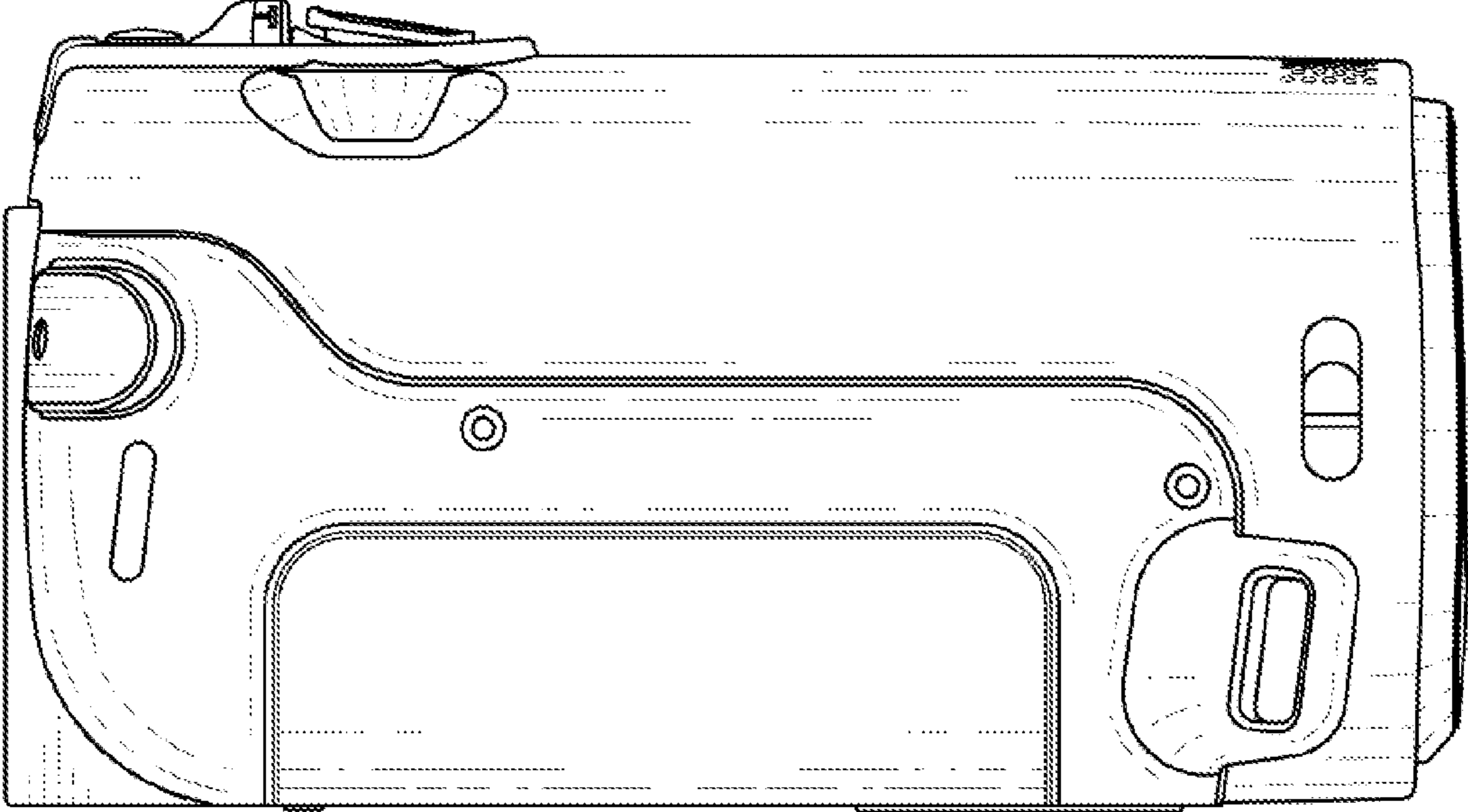


FIG. 5

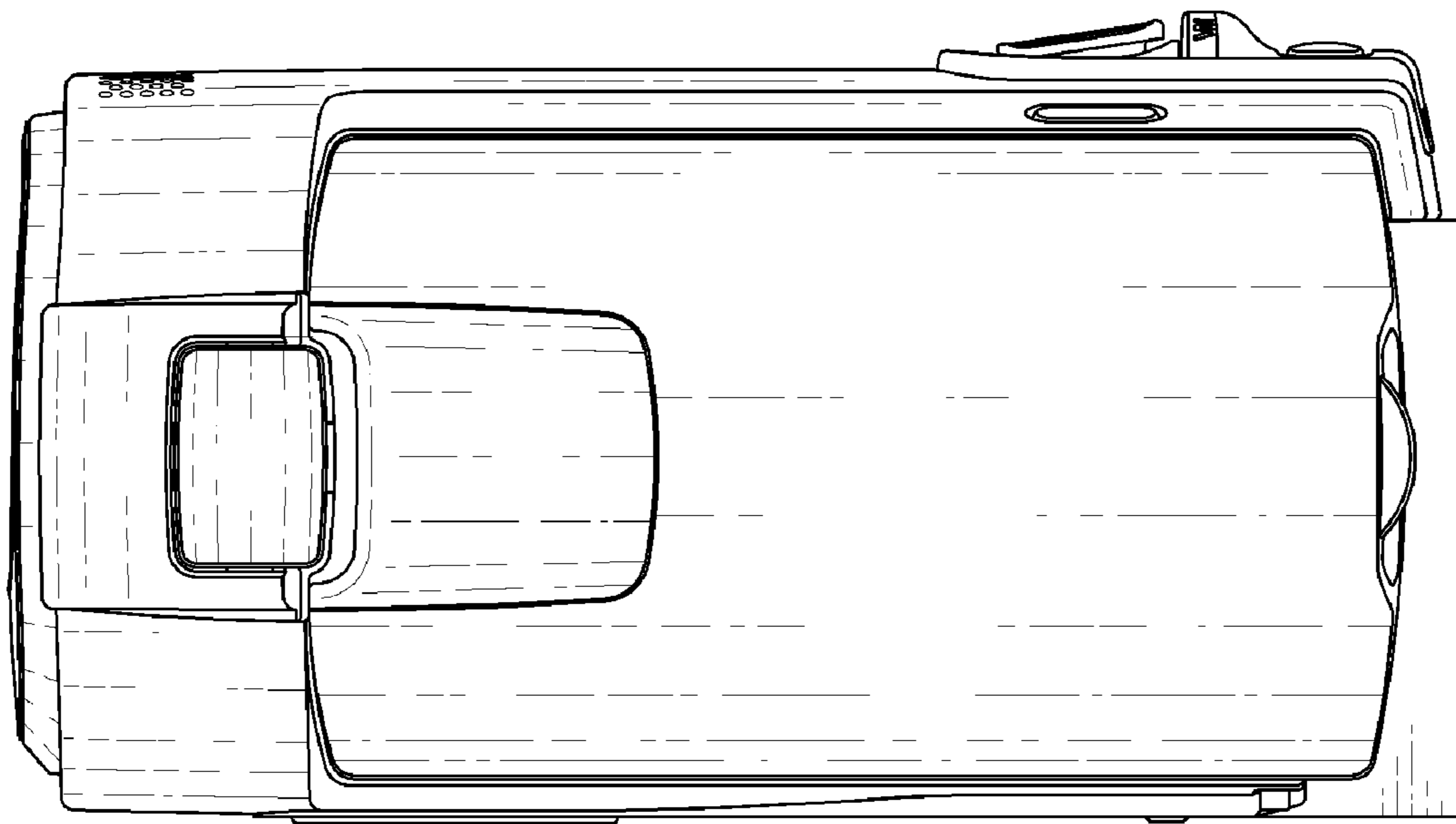


FIG. 6

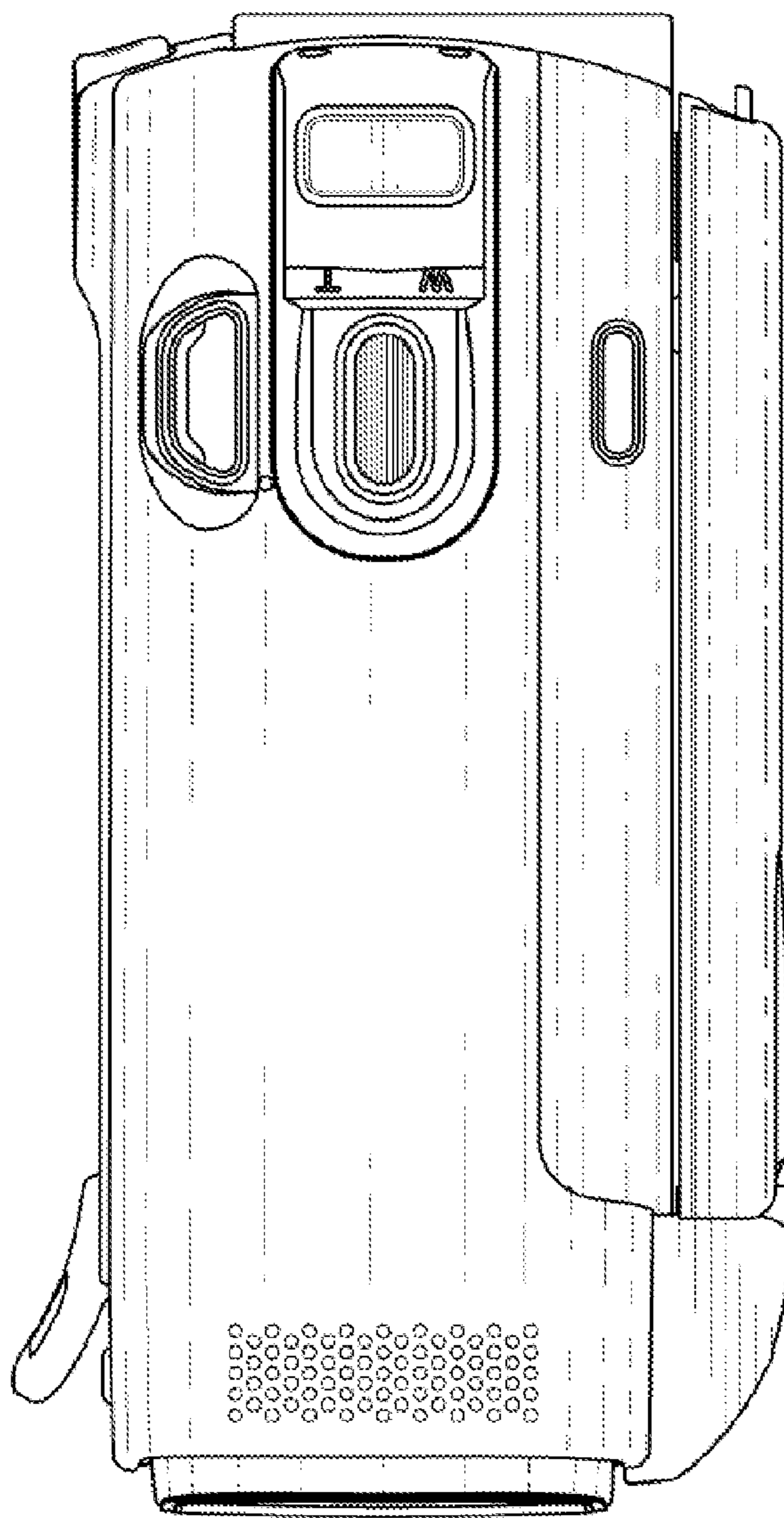


FIG. 7

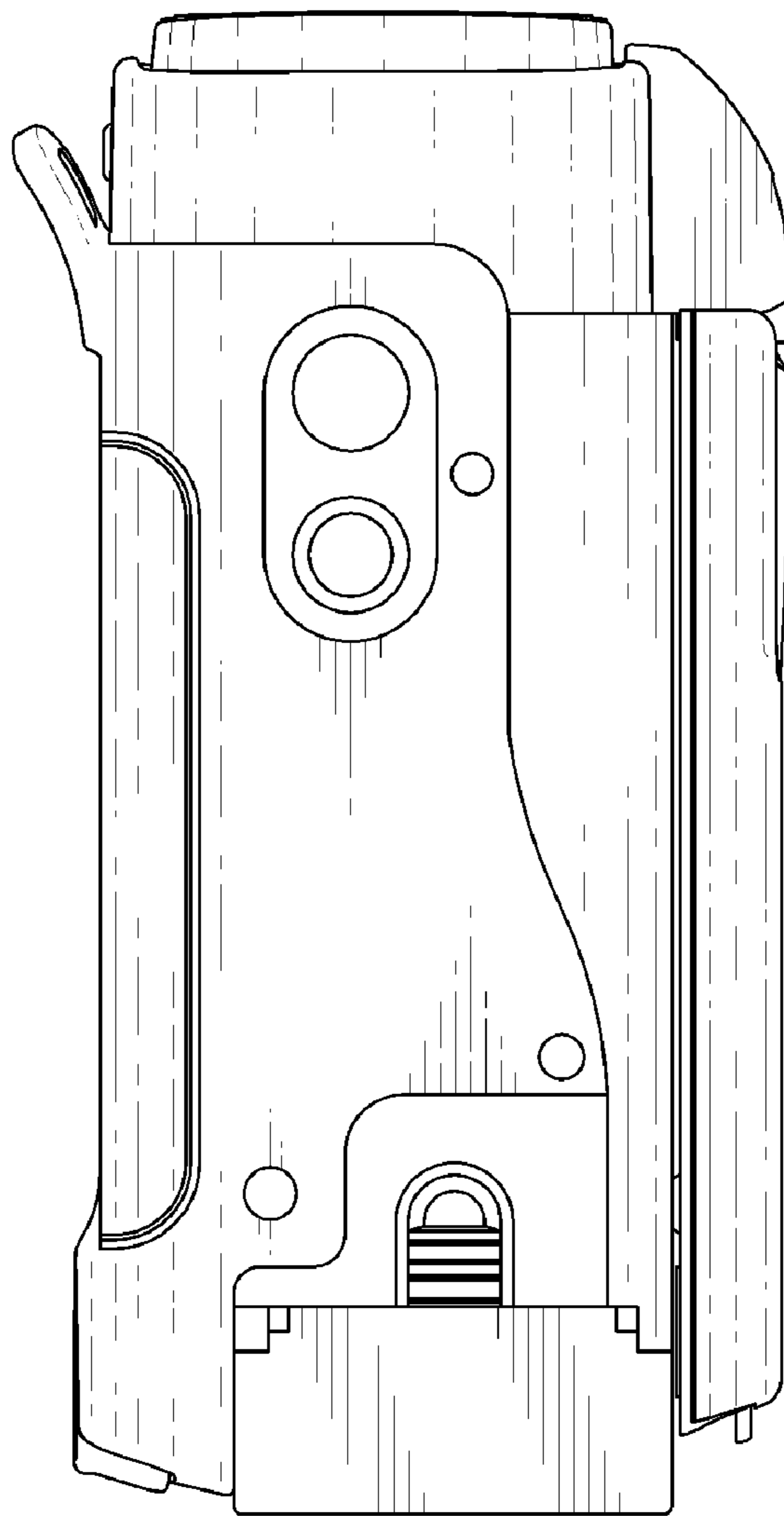


FIG. 8

