



US00D637221S

(12) **United States Design Patent**  
**Levine**

(10) **Patent No.:** **US D637,221 S**

(45) **Date of Patent:** **\*\* May 3, 2011**

(54) **MAGNIFYING DEVICE**

(76) Inventor: **Jonathan E. Levine**, New York, NY  
(US)

(\*\*) Term: **14 Years**

(21) Appl. No.: **29/361,515**

(22) Filed: **May 12, 2010**

(51) **LOC (9) Cl.** ..... **16-06**

(52) **U.S. Cl.** ..... **D16/135**

(58) **Field of Classification Search** ..... D16/130,  
D16/135; D26/37, 38; D28/64.1, 64.3; 359/802,  
359/803, 804, 805, 810, 811, 812, 817, 818,  
359/819, 822; 248/471

See application file for complete search history.

(56) **References Cited**

U.S. PATENT DOCUMENTS

1,792,127	A *	2/1931	Shulman et al.	248/471
D194,709	S *	2/1963	Vernon	D16/135
D218,537	S *	8/1970	Bushon	D16/135
3,664,727	A *	5/1972	O'Donnell	359/667
3,954,247	A *	5/1976	Krusche	248/471
4,285,489	A *	8/1981	Blanchard	248/471
4,336,916	A *	6/1982	Blanchard	248/471
D303,977	S *	10/1989	Steel et al.	D16/135
D394,073	S *	5/1998	Hennessy et al.	D16/135
D463,824	S *	10/2002	Kan	D19/65
D526,340	S *	8/2006	Hodgson	D16/135
D545,857	S *	7/2007	Yip et al.	D16/135
D559,876	S *	1/2008	Yip et al.	D16/135
D589,071	S *	3/2009	Jim	D16/135
D589,546	S *	3/2009	Levine	D16/135

OTHER PUBLICATIONS

U.S. Appl. No. 29/361,513, filed May 12, 2010, Levine, pending.  
U.S. Appl. No. 29/361,516, filed May 12, 2010, Levine, pending.

\* cited by examiner

*Primary Examiner* — Paula Greene

(74) *Attorney, Agent, or Firm* — Theodore W. Baker

(57) **CLAIM**

I claim the ornamental design for a magnifying device, as shown and described.

**DESCRIPTION**

FIG. 1 is a perspective view of a magnifying device showing my new design in a first configuration, as viewed from the top and one side.

FIG. 2 is a front elevation view of the magnifying device of FIG. 1 in the first configuration.

FIG. 3 is a back elevation view of the magnifying device of FIG. 1 in the first configuration.

FIG. 4 is a side elevation view of the magnifying device of FIG. 1 in the first configuration, the opposite side elevation view being a mirror image thereof.

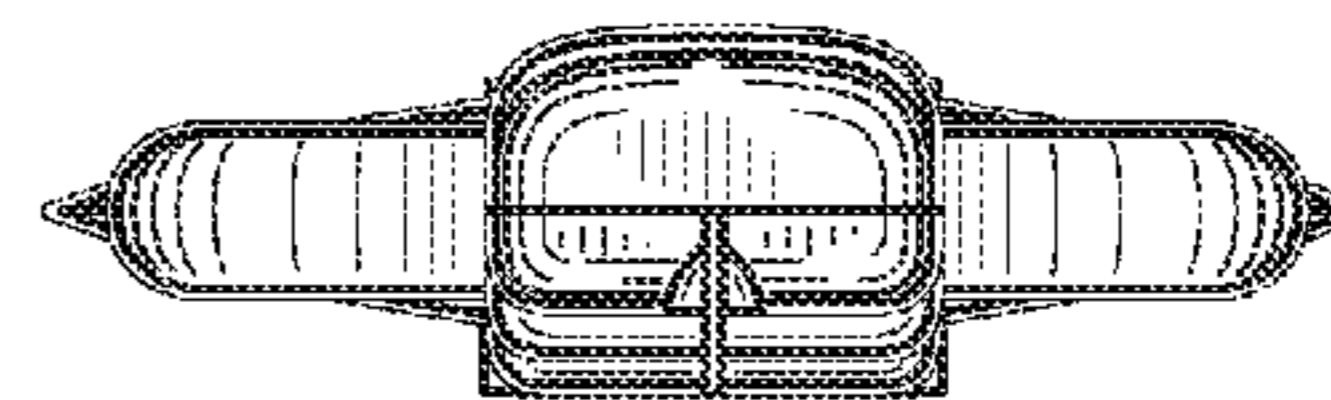
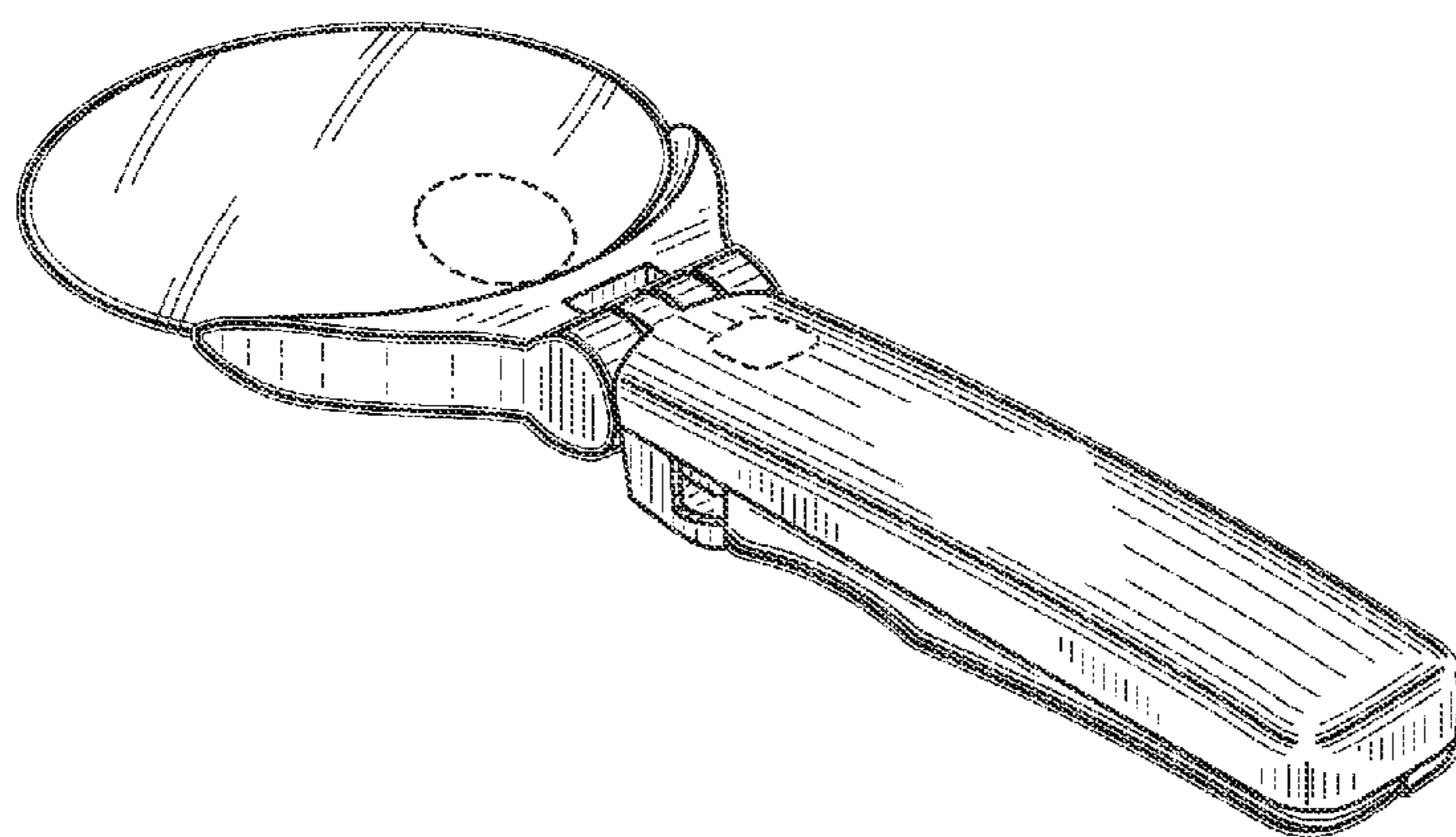
FIG. 5 is a top plan view of the magnifying device of FIG. 1 in the first configuration.

FIG. 6 is a bottom plan view of the magnifying device of FIG. 1 in the first configuration; and,

FIG. 7 is a perspective view of the magnifying device of FIG. 1 in a second configuration, as viewed from the top and one side.

The details shown in broken lines illustrate portions of the magnifying device that form no part of the claimed design.

**1 Claim, 3 Drawing Sheets**



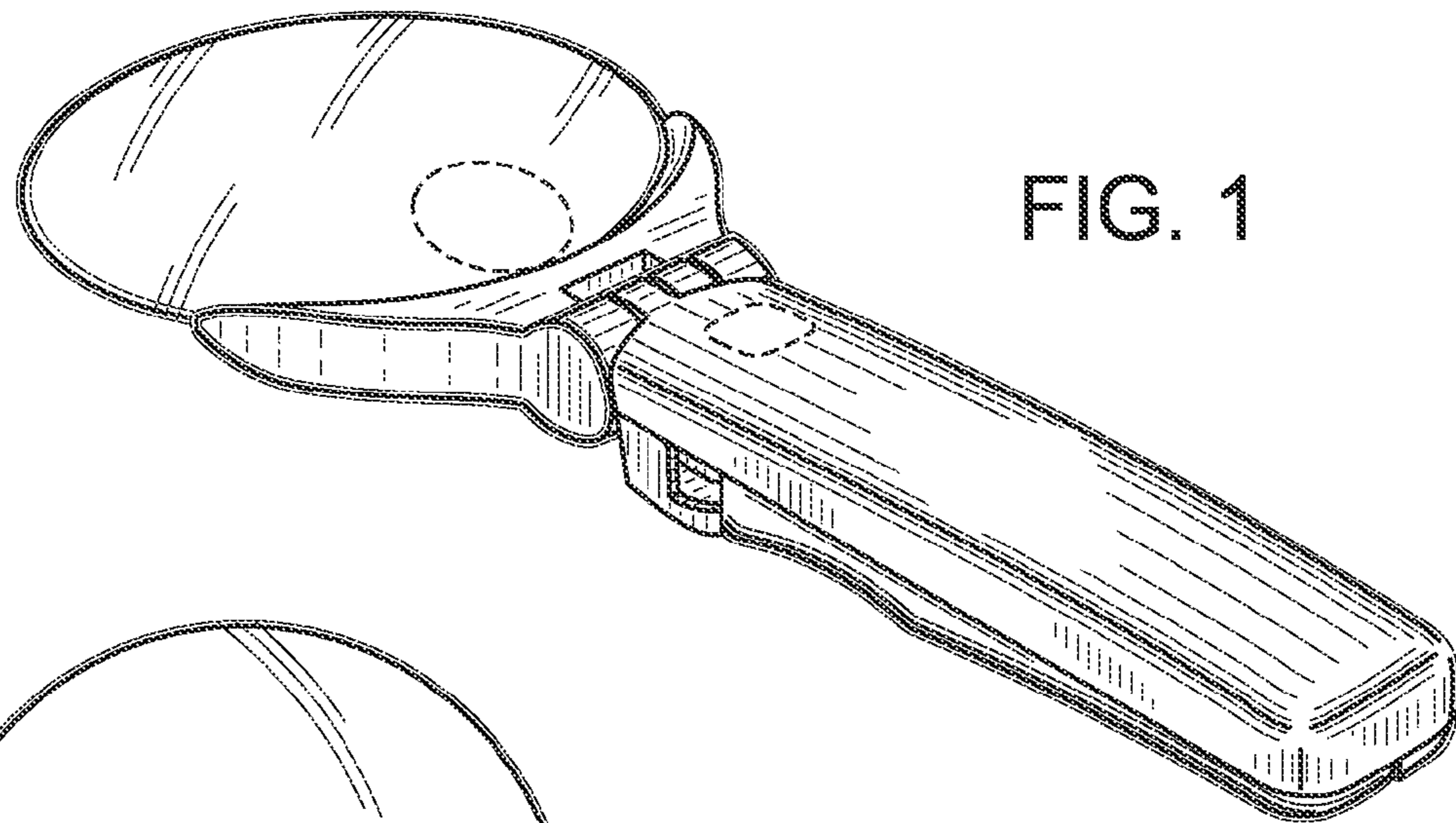


FIG. 1

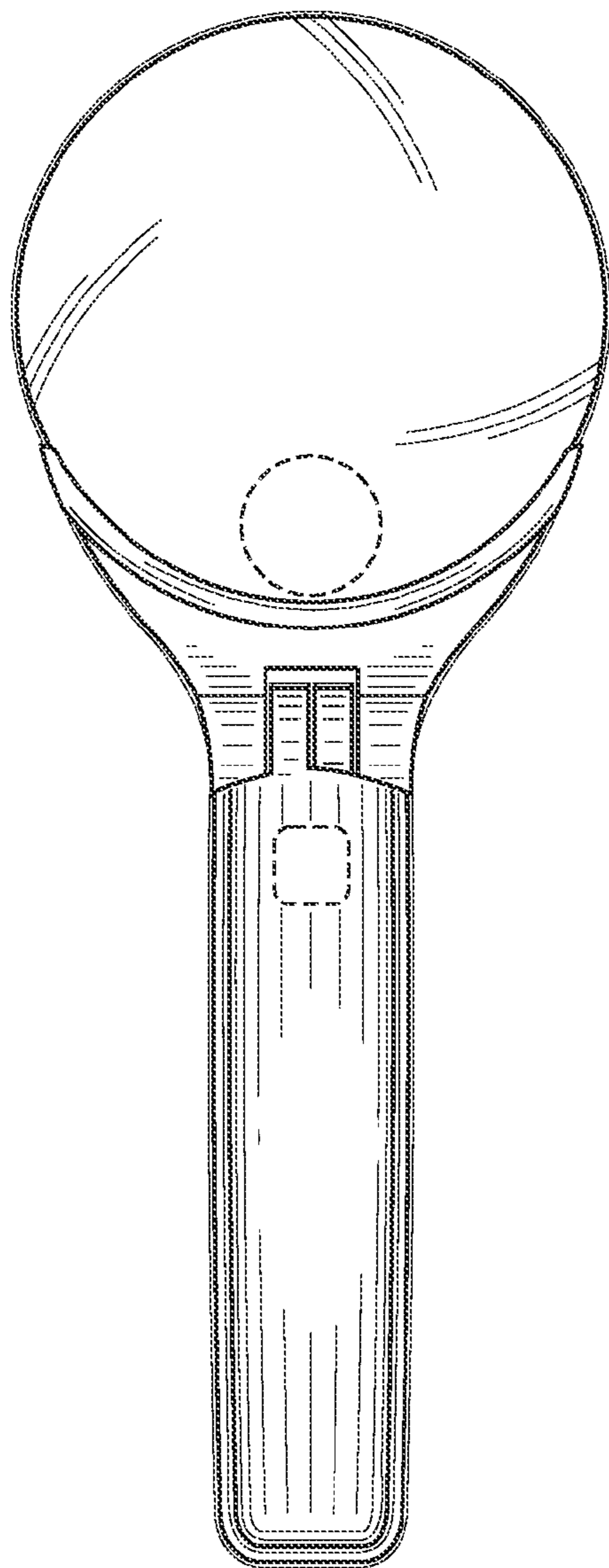


FIG. 2

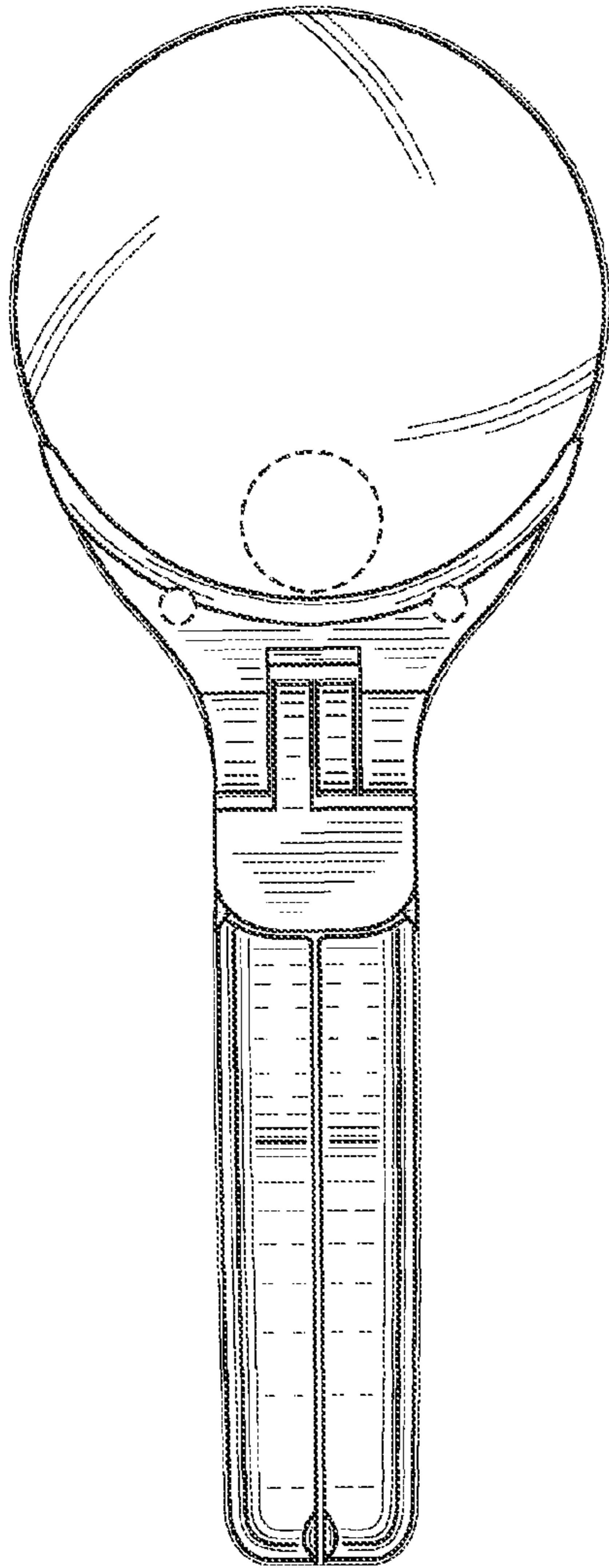


FIG. 3

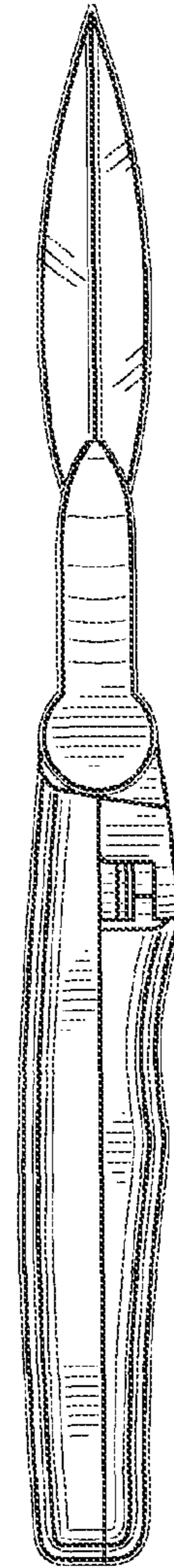


FIG. 4

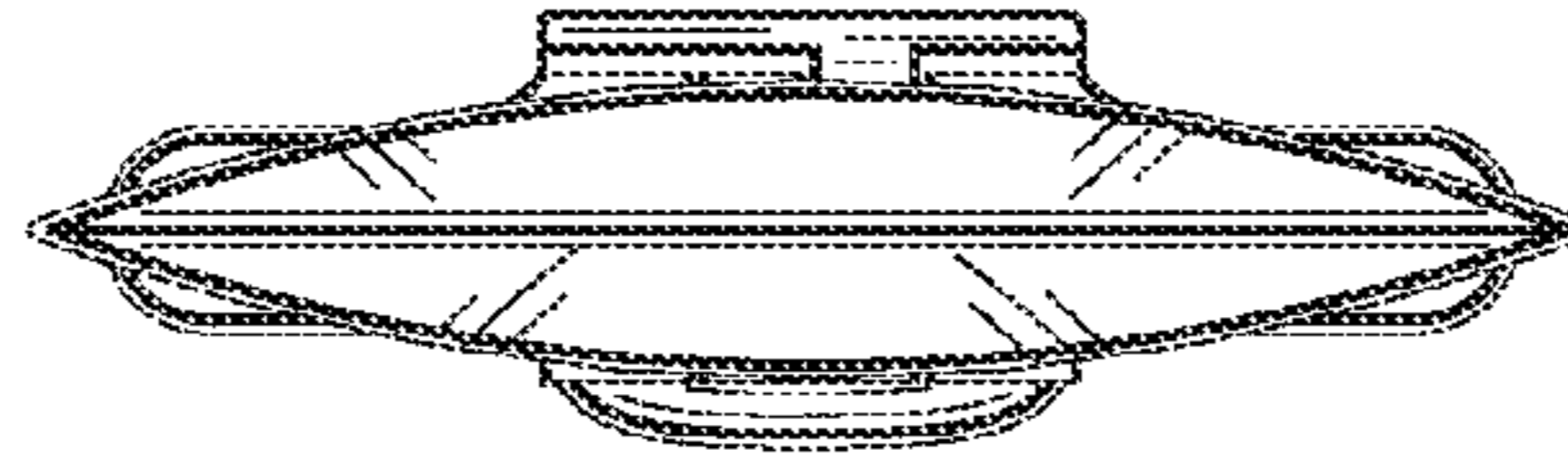


FIG. 5

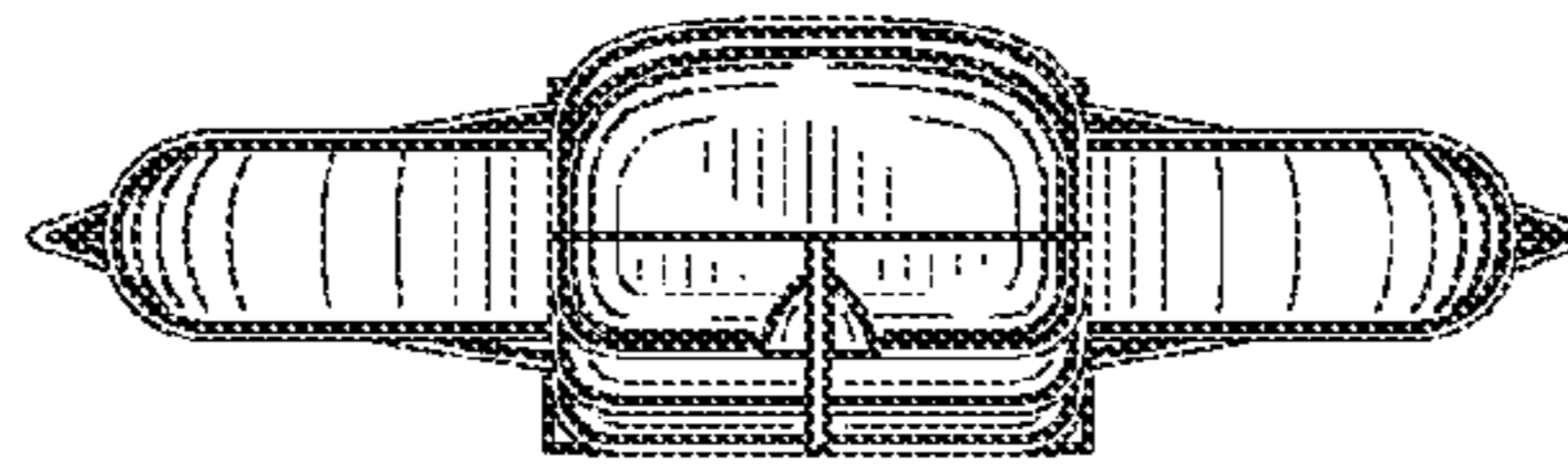


FIG. 6

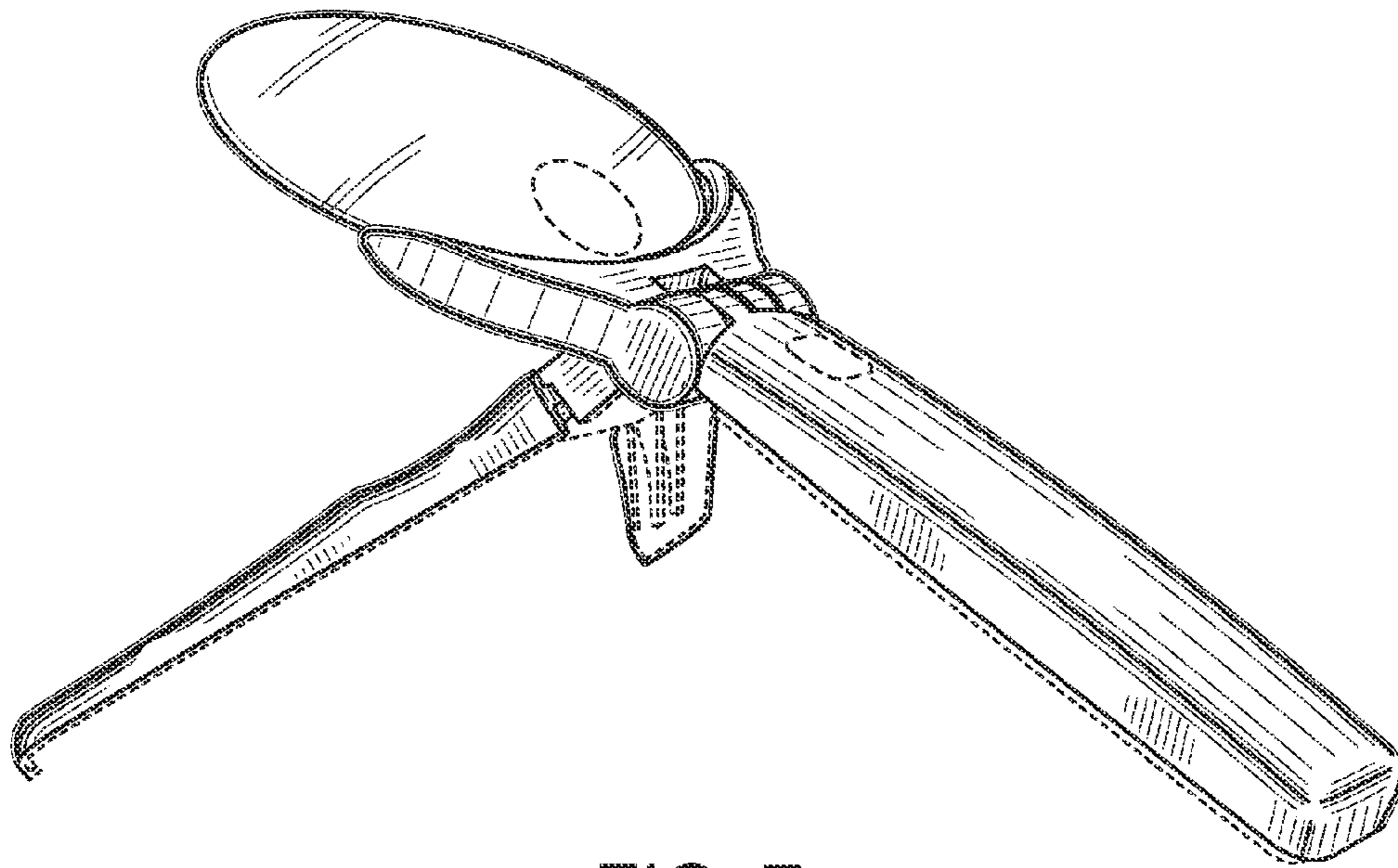


FIG. 7