



US00D637219S

(12) **United States Design Patent**  
**Nusser et al.**

(10) **Patent No.:** **US D637,219 S**

(45) **Date of Patent:** **\*\* May 3, 2011**

(54) **ASSEMBLY OF AN XY-COUPLING SUPPORTING A CARRIER ARM HOLDING A HOUSING CONTAINING ONE OR TWO MICROSCOPE BODIES**

(75) Inventors: **Daniel Nusser**, Aalen (DE); **Christian Siegel**, Aalen (DE); **Graham Keevy**, München (DE)

(73) Assignee: **Carl Zeiss Surgical GmbH**, Oberkochen (DE)

(\*\*) Term: **14 Years**

(21) Appl. No.: **29/347,355**

(22) Filed: **Dec. 14, 2009**

(30) **Foreign Application Priority Data**

Jun. 26, 2009 (EM) ..... 001148480

(51) **LOC (9) Cl.** ..... **16-06**

(52) **U.S. Cl.** ..... **D16/131**

(58) **Field of Classification Search** ..... D16/130, D16/131; 359/382, 383, 384, 381, 385, 802, 359/804, 809, 810, 811, 816, 376, 379, 368, 359/375, 377; 128/123.11; 248/280.11, 248/331

See application file for complete search history.

(56) **References Cited**

**U.S. PATENT DOCUMENTS**

D179,280	S	*	11/1956	Boughton	.....	D16/221
D276,351	S	*	11/1984	Janke et al.	.....	D16/131
4,544,121	A	*	10/1985	Komura	.....	248/331
5,052,789	A	*	10/1991	Kleinberg	.....	359/375
5,790,307	A	*	8/1998	Mick et al.	.....	359/382
6,050,530	A	*	4/2000	Nakamura	.....	248/123.2
6,147,797	A	*	11/2000	Lee	.....	359/363
D460,772	S	*	7/2002	Apotheloz	.....	D16/131
6,646,798	B2	*	11/2003	Schmidt et al.	.....	359/382
D488,823	S	*	4/2004	Asaka et al.	.....	D16/131
6,781,630	B2	*	8/2004	Nomura et al.	.....	348/335
D502,194	S	*	2/2005	Suzuki et al.	.....	D16/131

(Continued)

**OTHER PUBLICATIONS**

Japanese Office Action Mar. 2, 2009 (Translation into English with a copy of product sheet cited by the Japanese Examiner attached).

*Primary Examiner* — Paula Greene

(74) *Attorney, Agent, or Firm* — Walter Ottesen

(57) **CLAIM**

The ornamental design for an assembly of an xy-coupling supporting a carrier arm holding a housing containing one or two microscope bodies, as shown and described.

**DESCRIPTION**

FIG. 1 is a right side elevation view of our new design of an assembly of an xy-coupling supporting a carrier arm holding a housing containing one microscope body;

FIG. 2 is a front side elevation view of said assembly of FIG. 1;

FIG. 3 is a left side elevation view of said assembly of FIG. 1;

FIG. 4 is a rear elevation view of said assembly of FIG. 1;

FIG. 5 is a top plan view of said assembly of FIG. 1;

FIG. 6 is a bottom plan view of said assembly of FIG. 1;

FIG. 7 is a perspective view of said assembly of FIG. 1;

FIG. 8 is a right side elevation view of another embodiment of our new design of an assembly of an xy-coupling supporting a carrier arm holding a housing containing two microscope bodies;

FIG. 9 is a front side elevation view of said assembly of FIG. 8;

FIG. 10 is a left side elevation view of said assembly of FIG. 8;

FIG. 11 is a rear side elevation view of said assembly of FIG. 8;

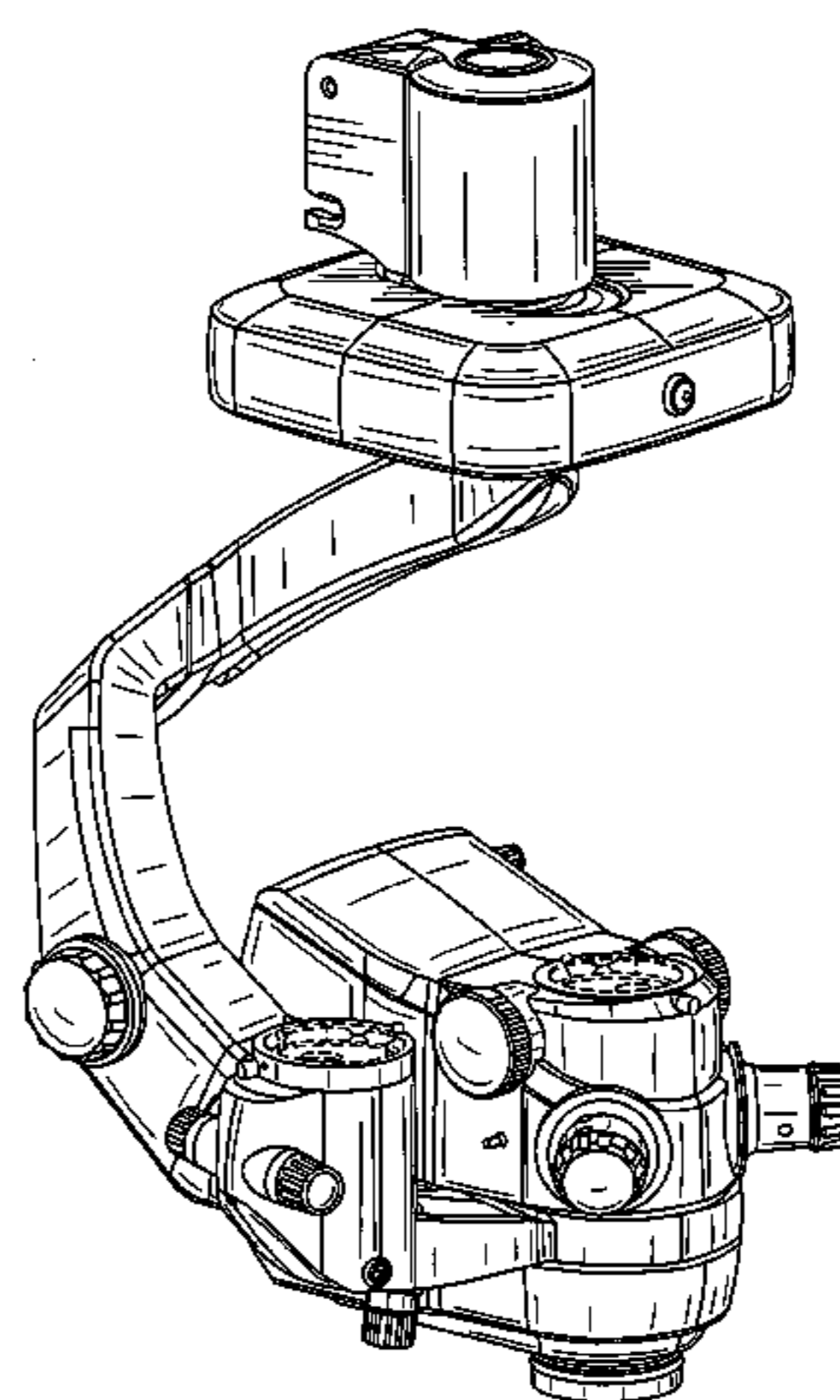
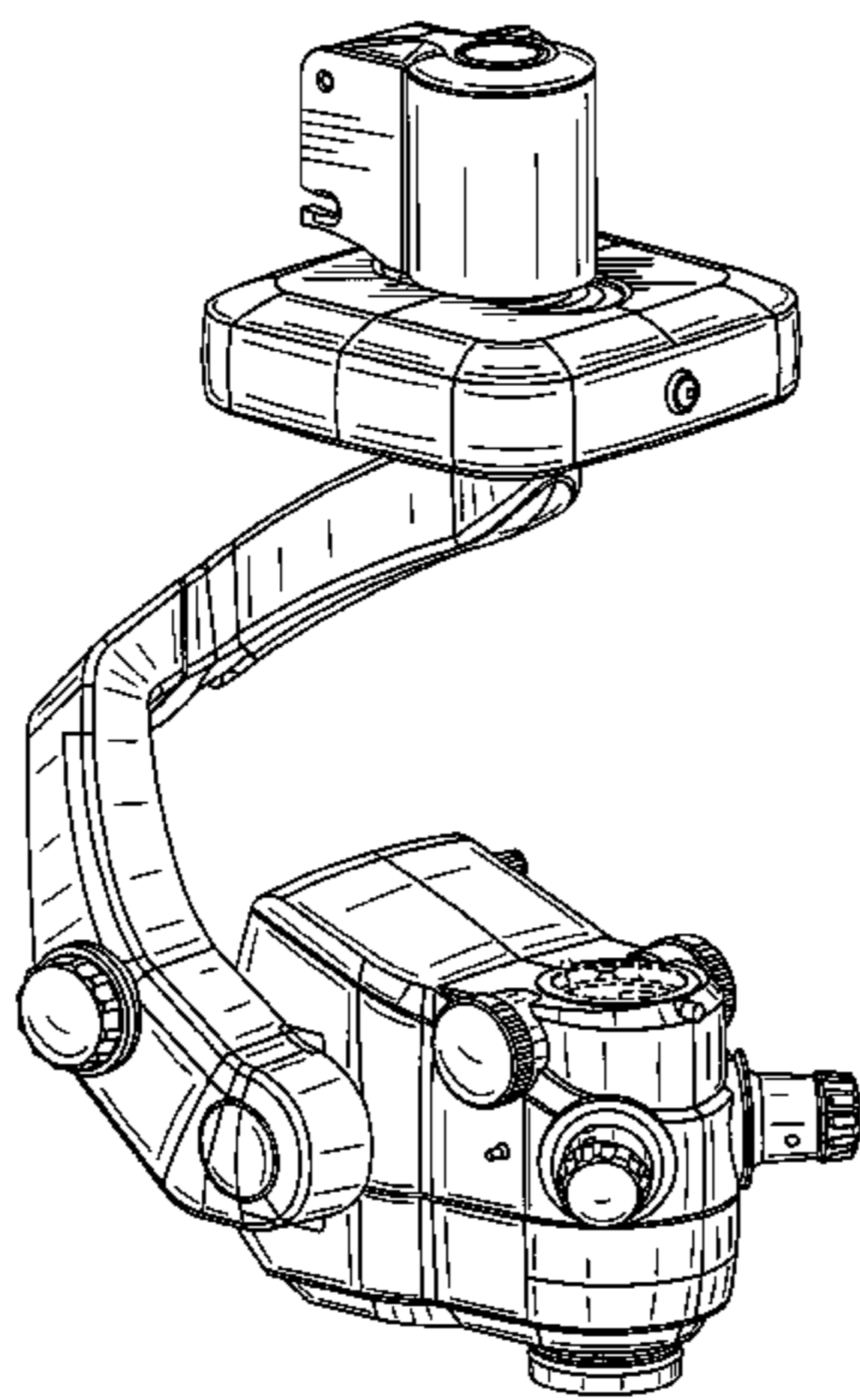
FIG. 12 is a top plan view of said assembly of FIG. 8;

FIG. 13 is a bottom plan view of said assembly of FIG. 8; and,

FIG. 14 is a perspective view of said assembly of FIG. 8.

The broken lines form no part of the claimed design.

**1 Claim, 14 Drawing Sheets**



# US D637,219 S

Page 2

---

## U.S. PATENT DOCUMENTS

6,899,307	B2 *	5/2005	Strauss et al. ....	248/280.11	D601,178	S *	9/2009	Apotheloz .....	D16/131
7,133,199	B2 *	11/2006	Hayashi .....	359/385	D623,210	S	9/2010	Matuschek et al.	
7,219,864	B2 *	5/2007	Strauss et al. ....	248/122.1					

\* cited by examiner

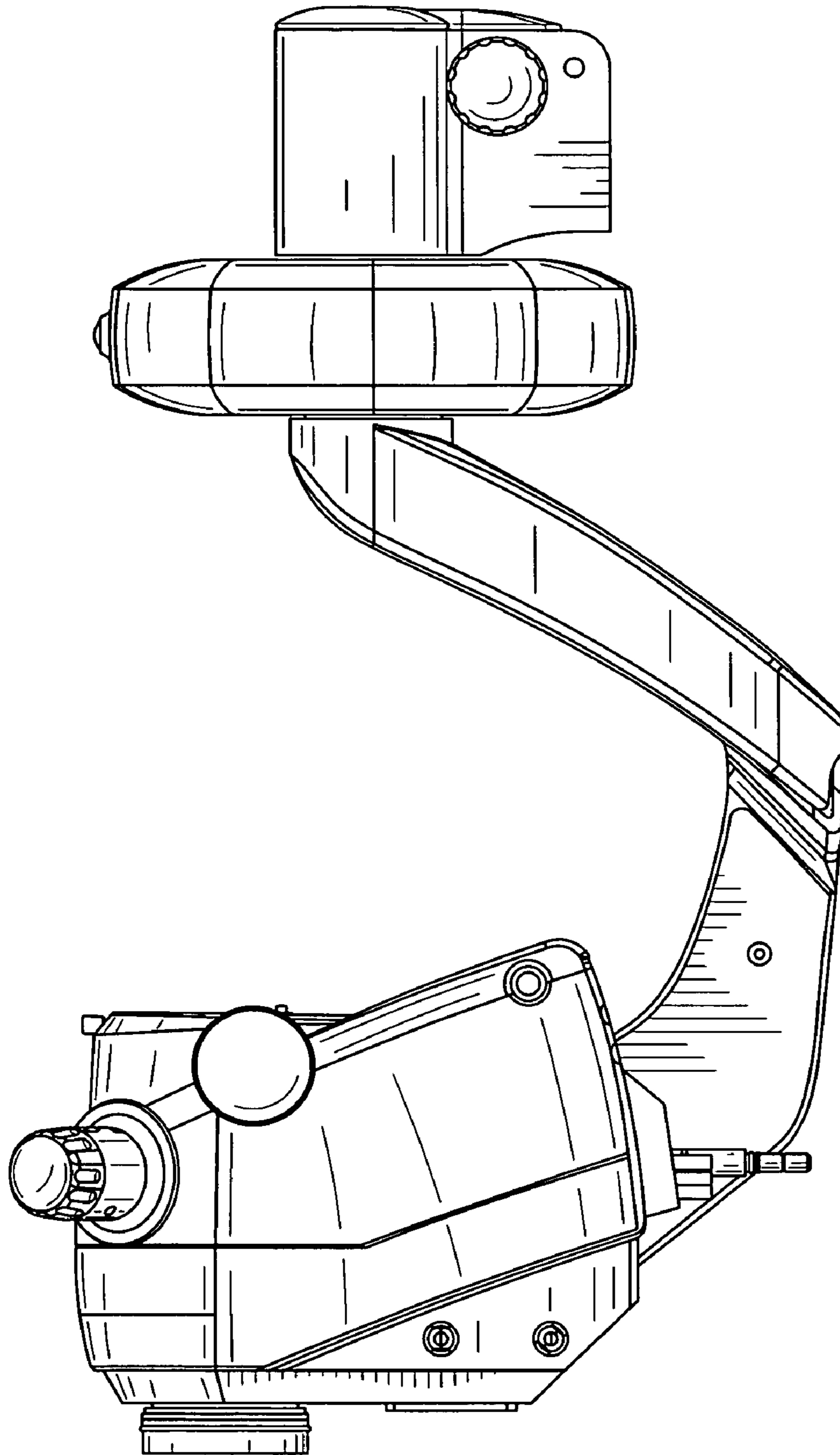


FIG. 1

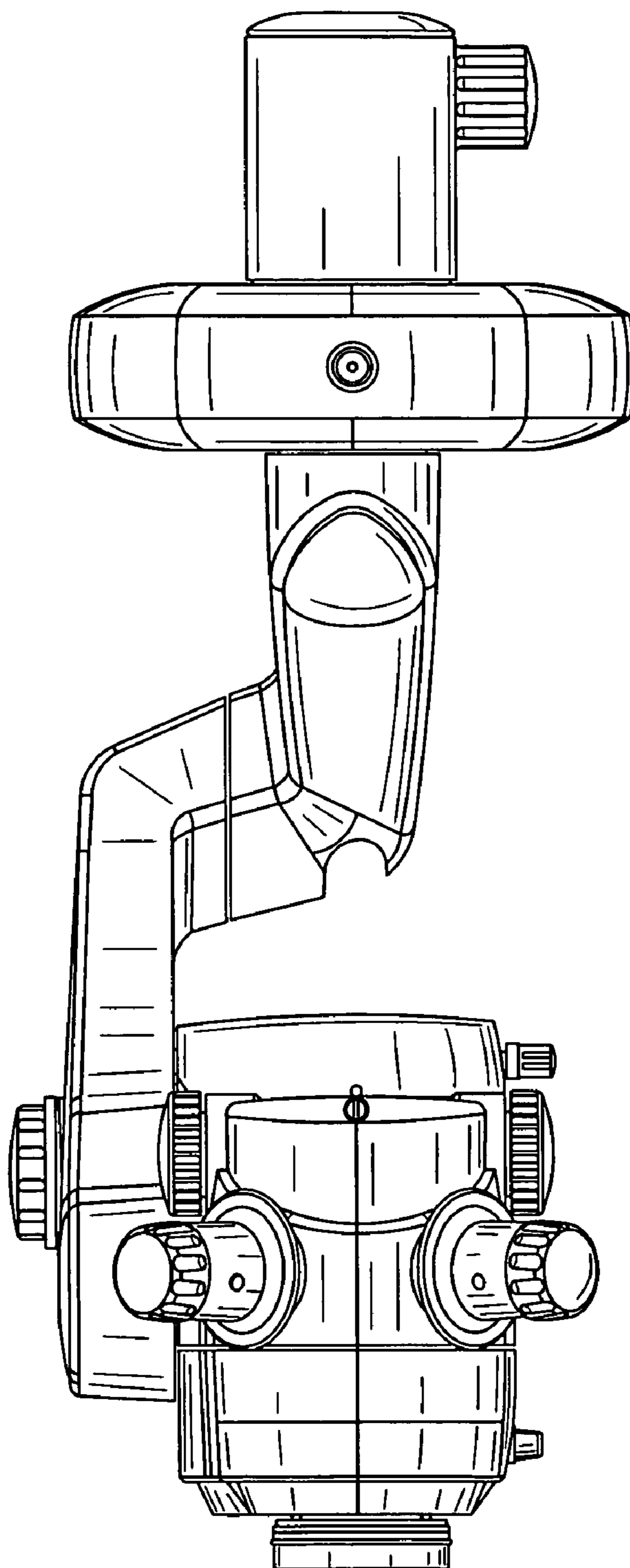


FIG. 2

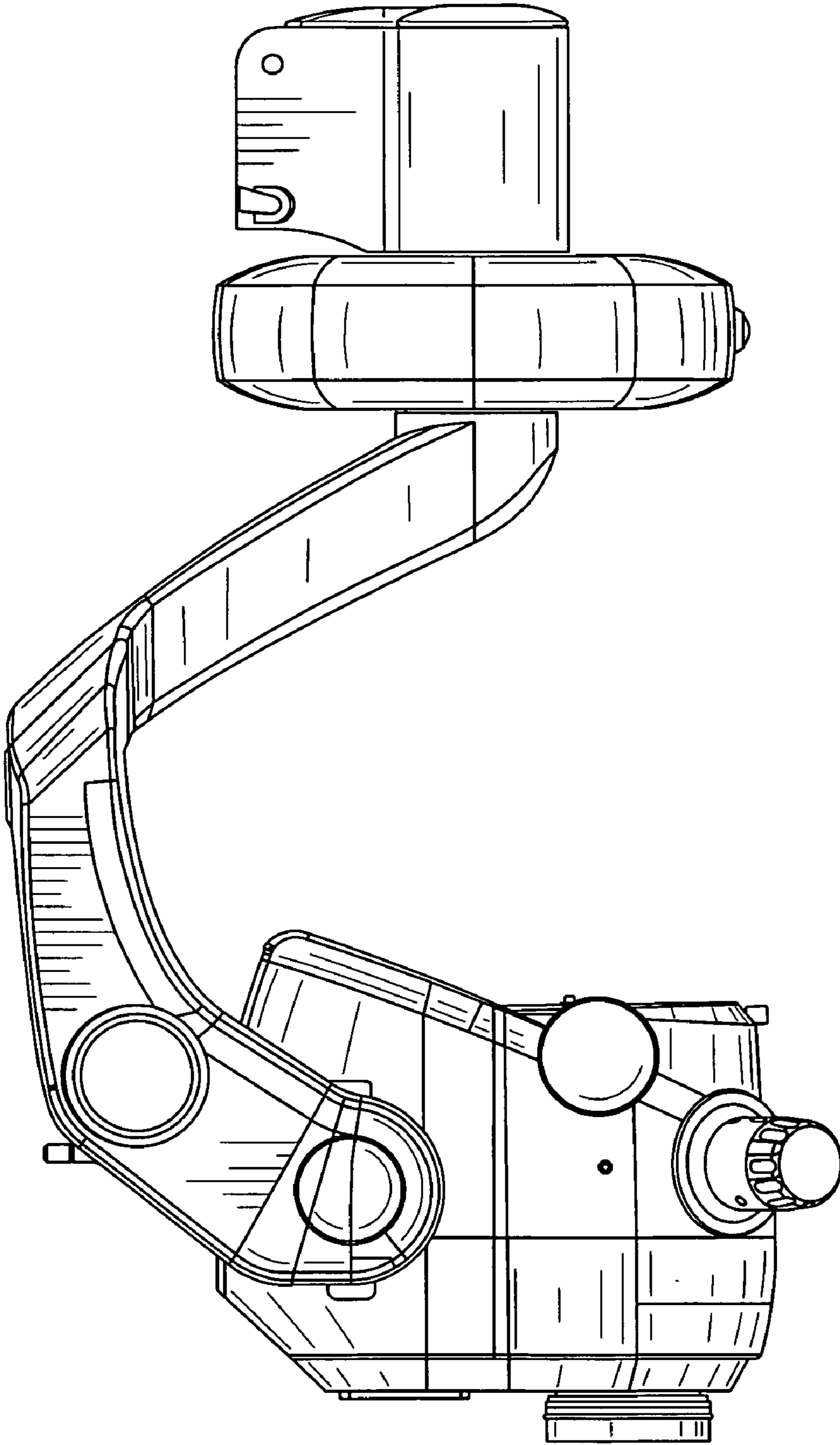


FIG. 3



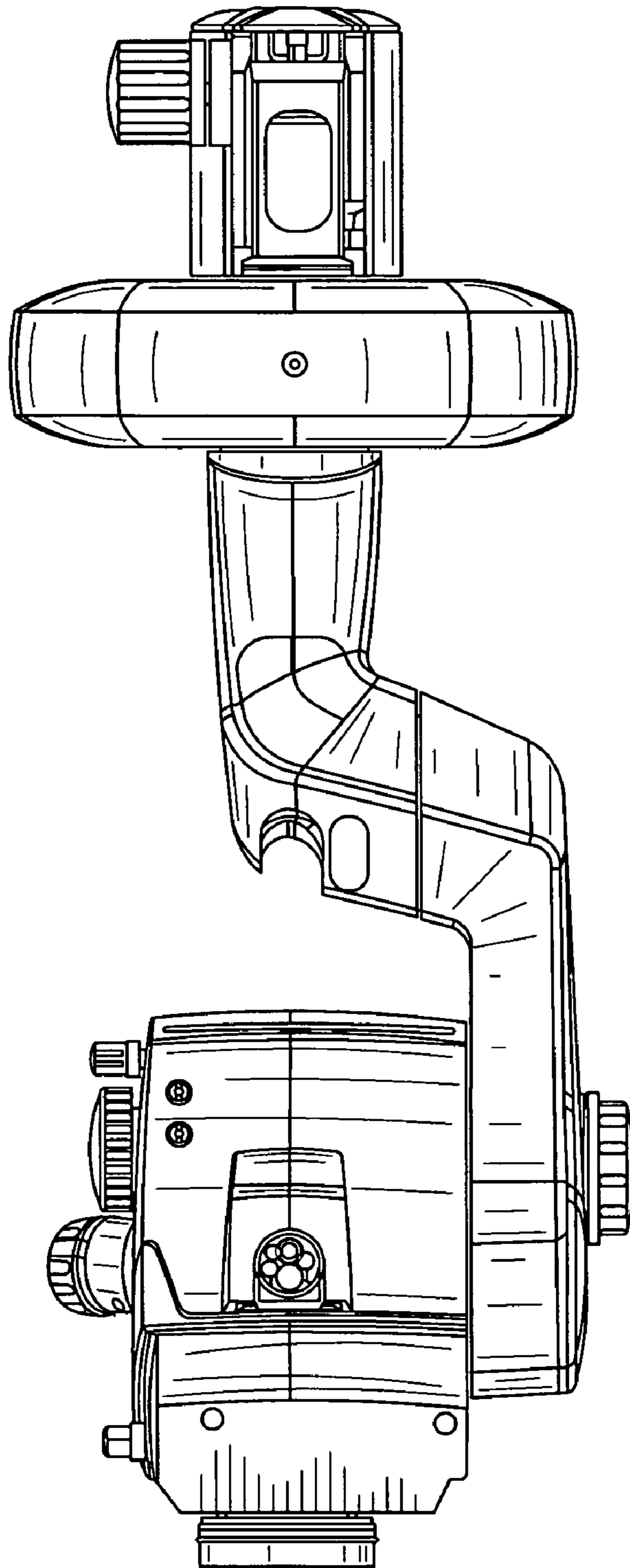


FIG. 4

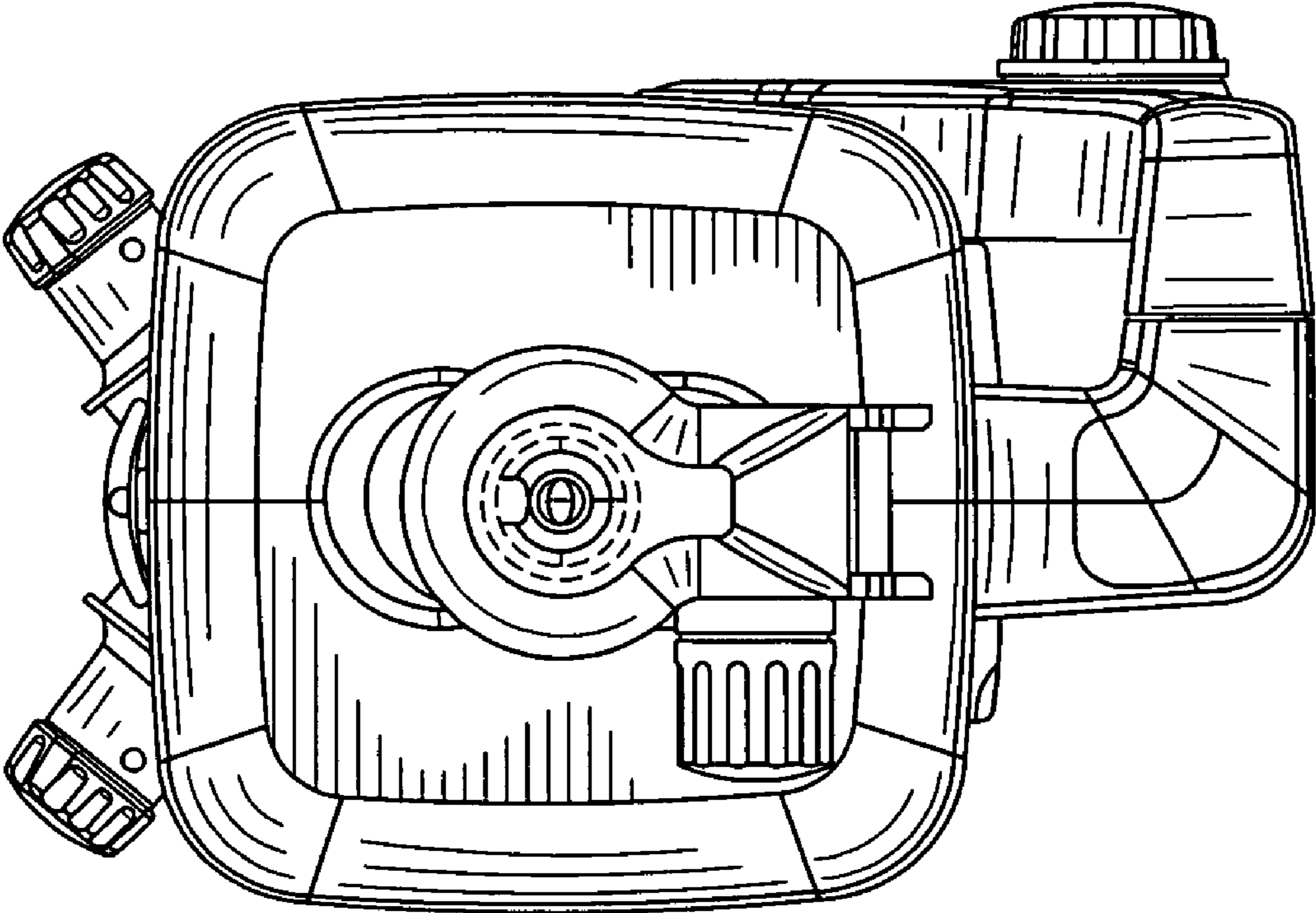


FIG. 5

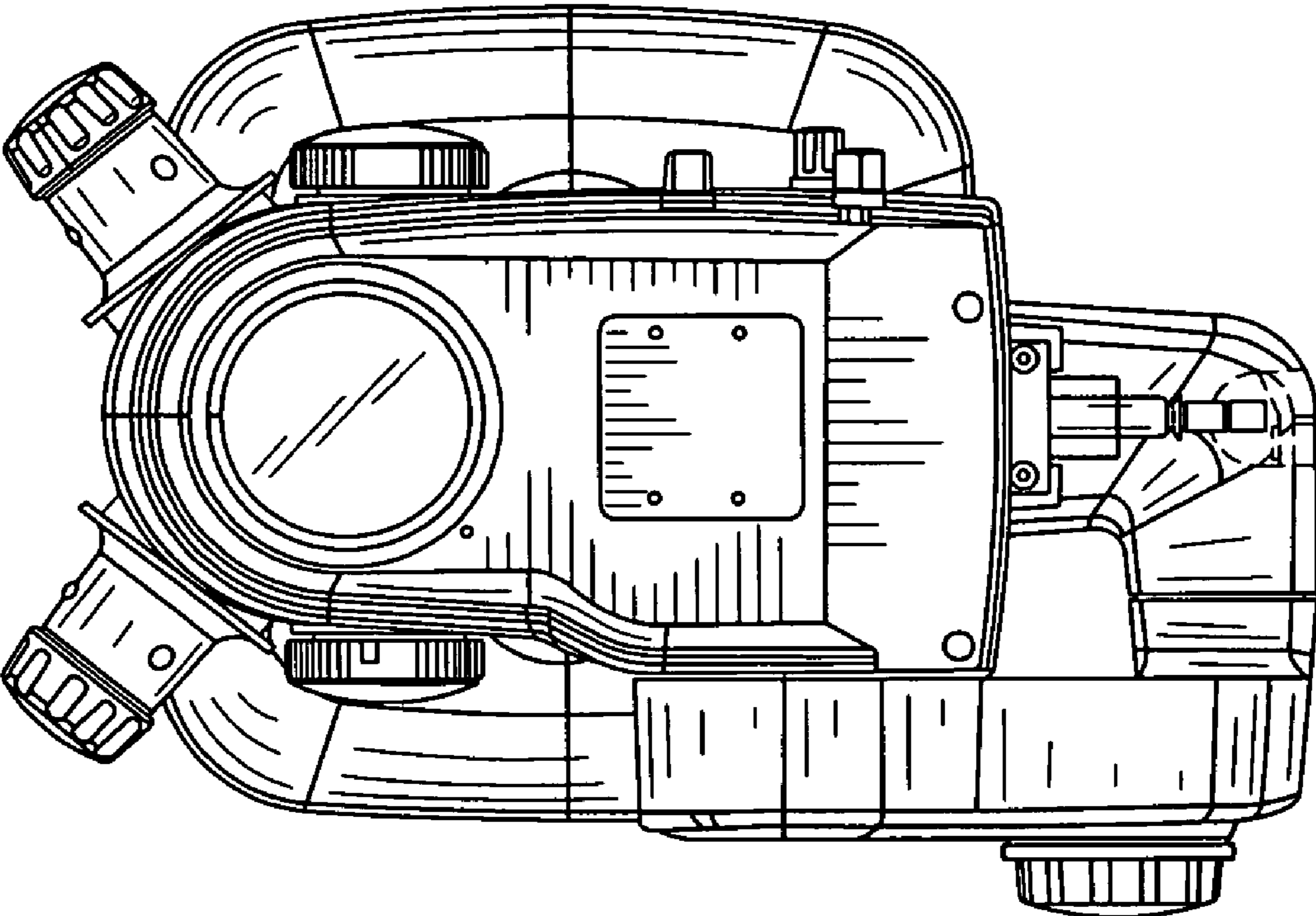


FIG. 6



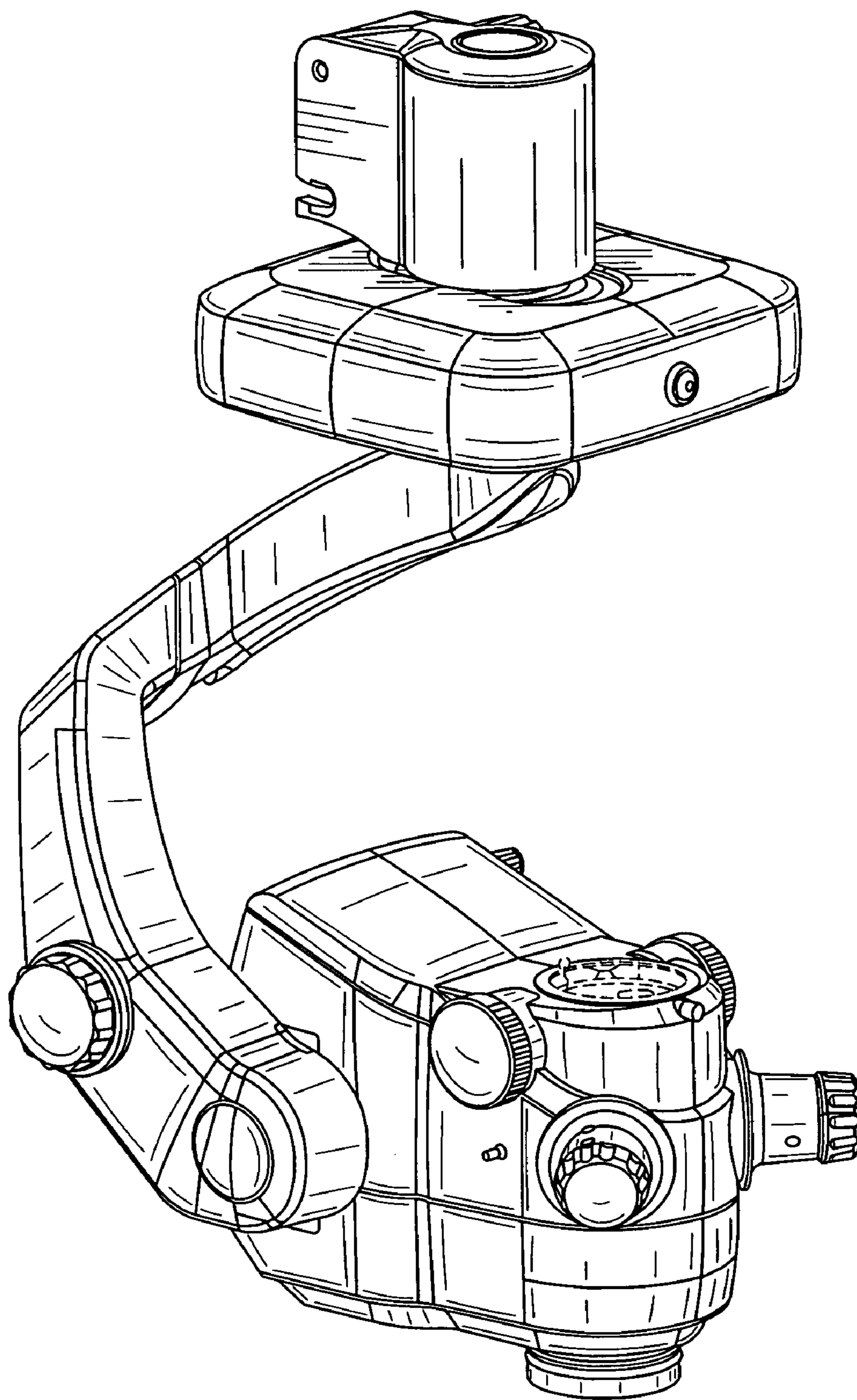


FIG. 7

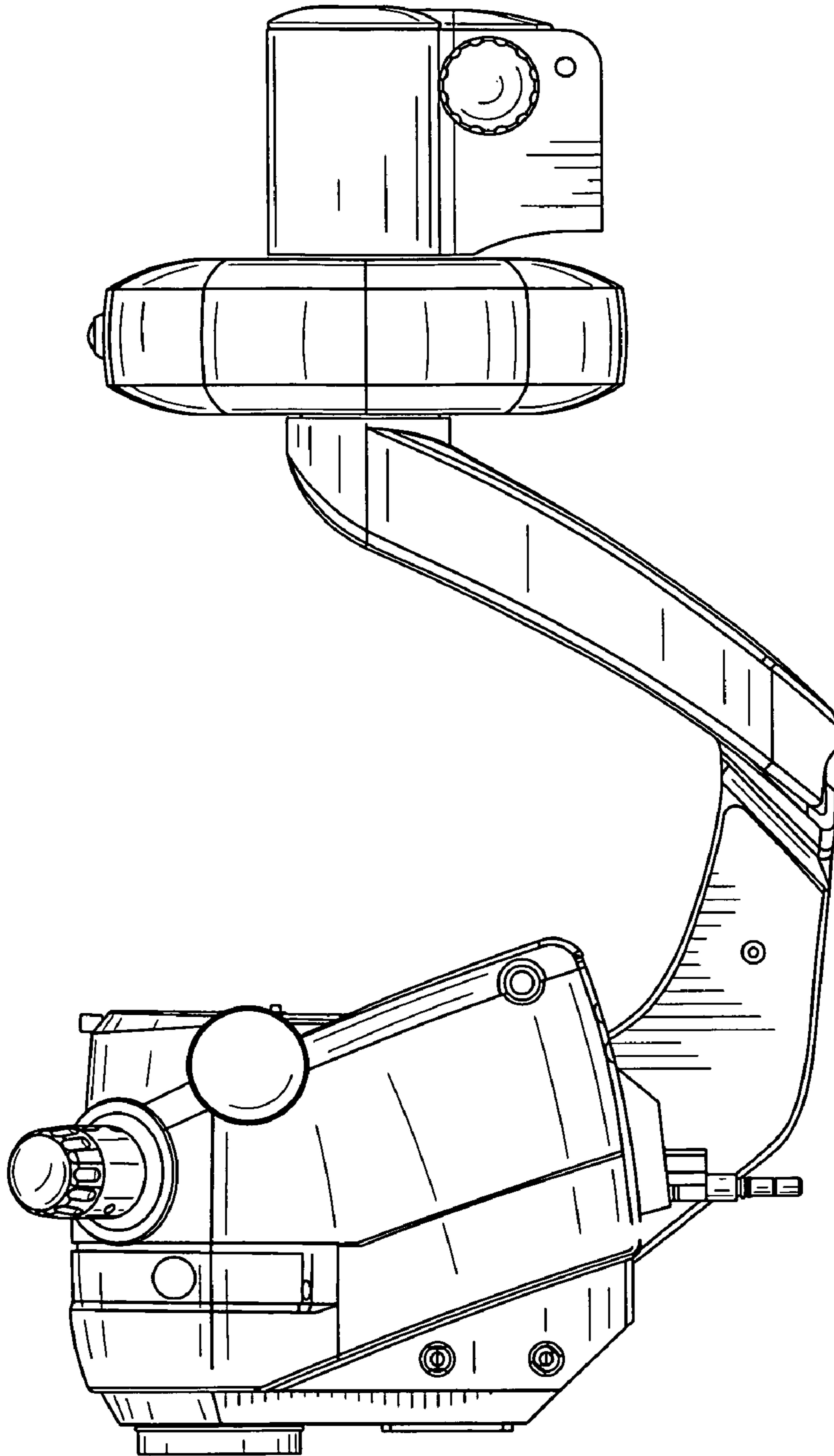


FIG. 8

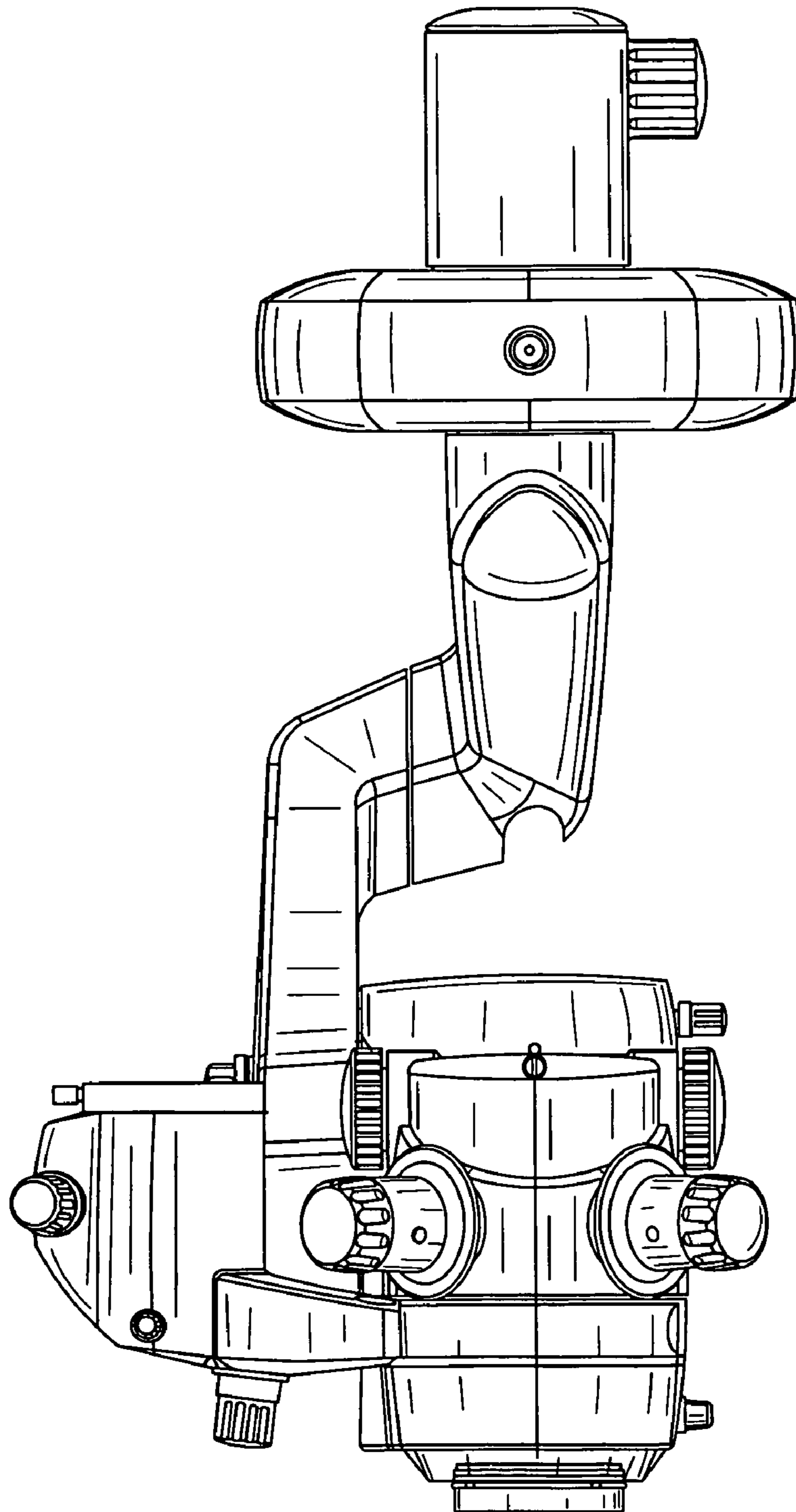


FIG. 9

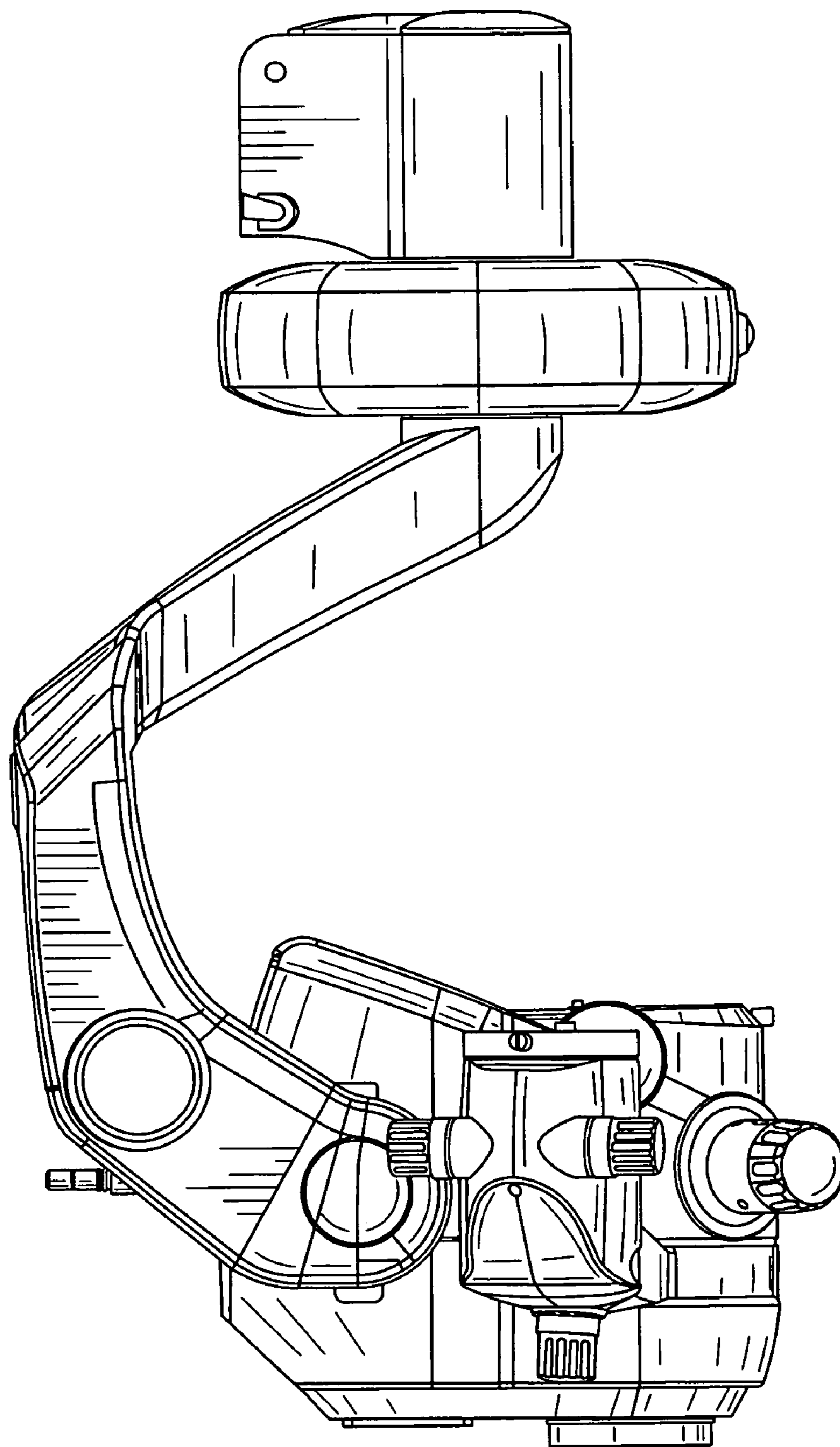


FIG. 10

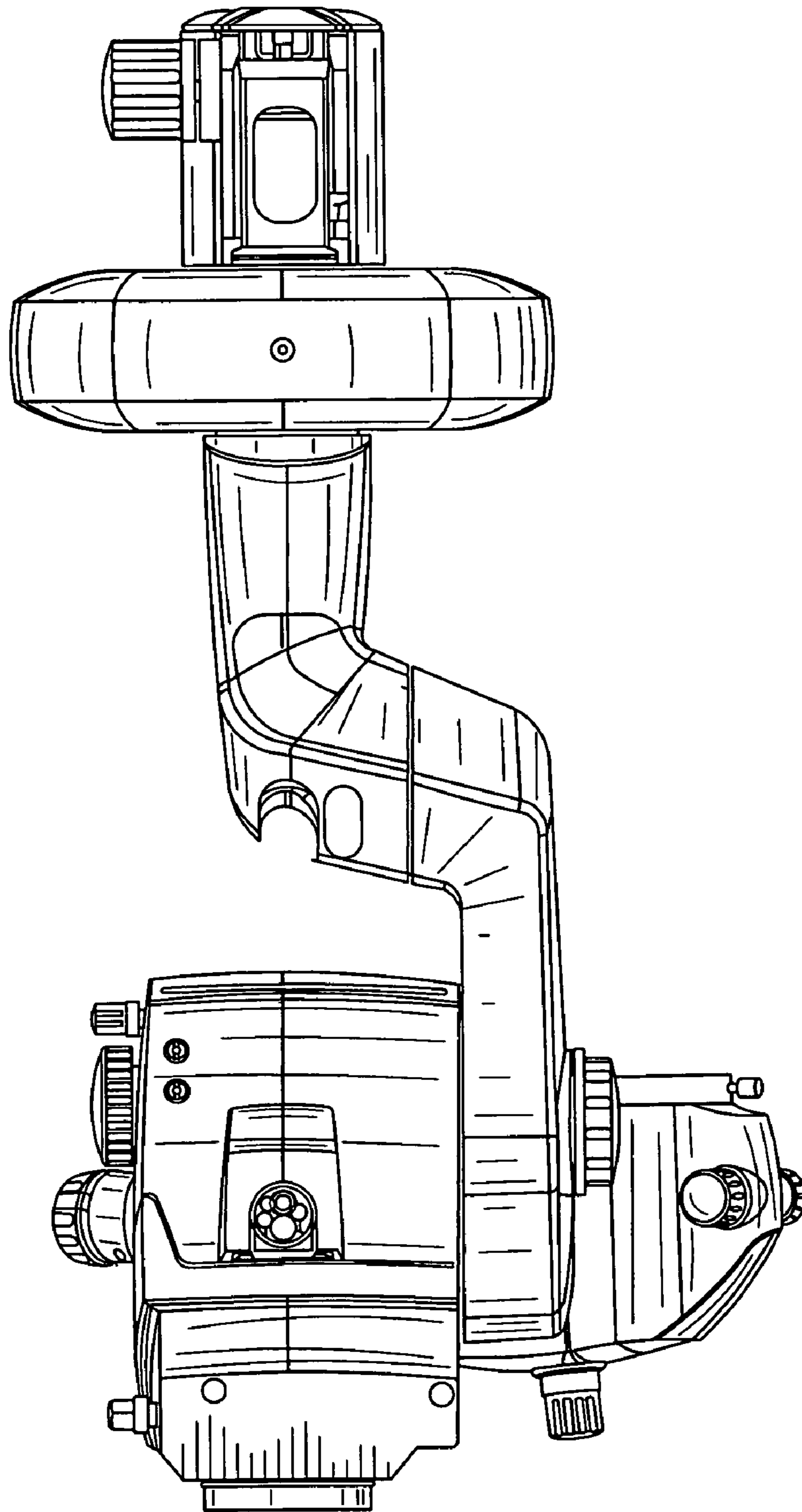


FIG. 11



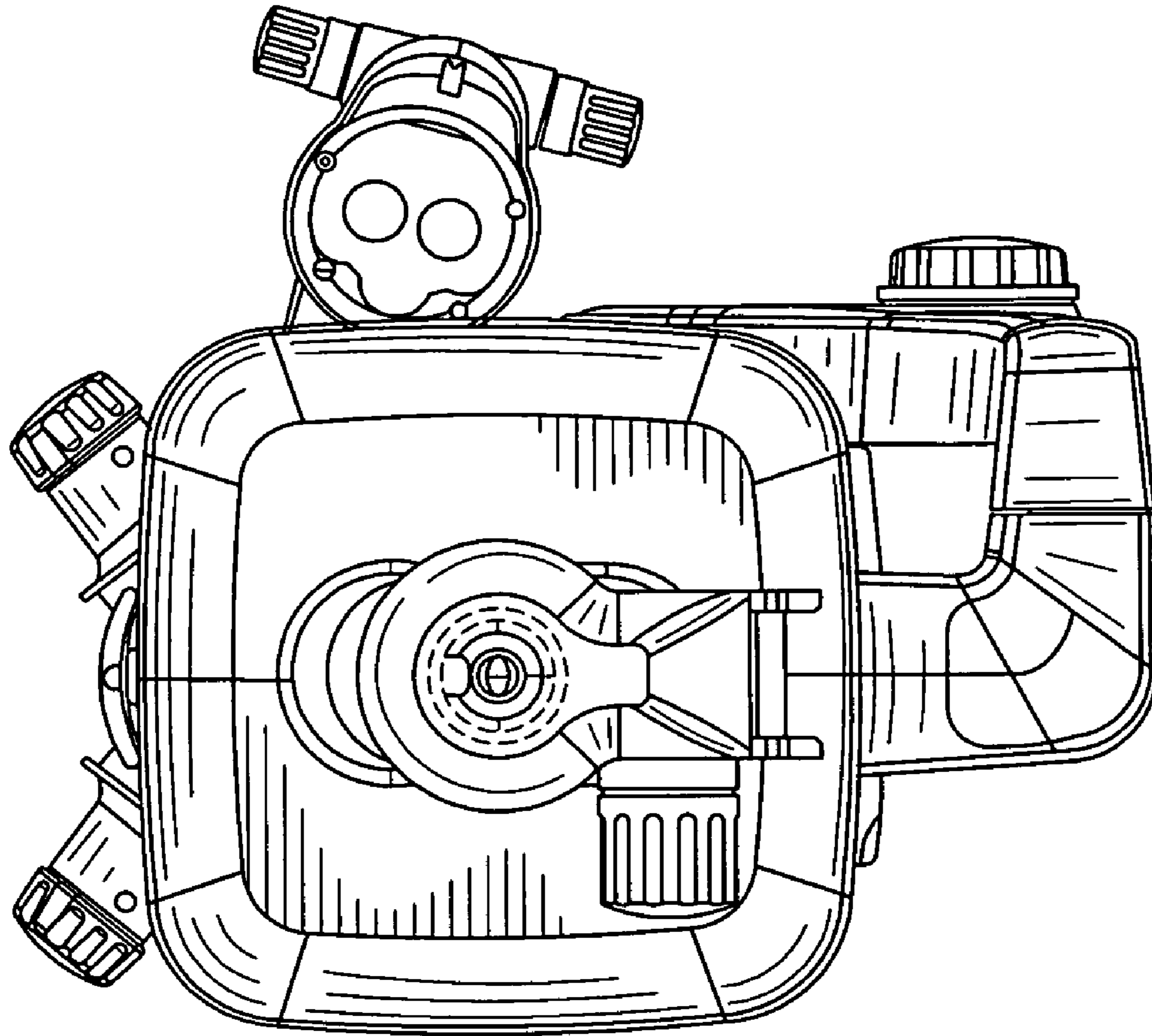
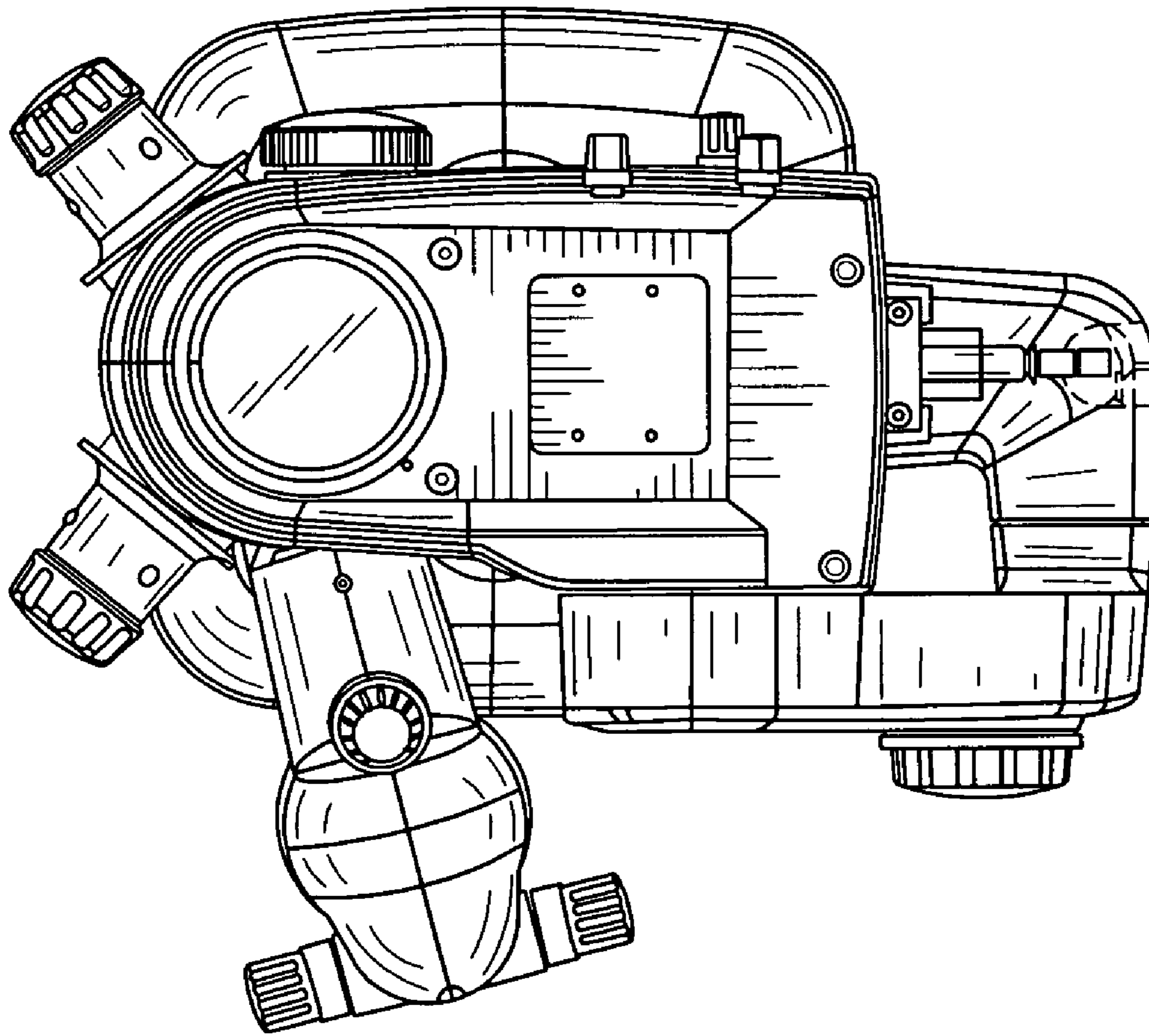


FIG. 12



**FIG. 13**

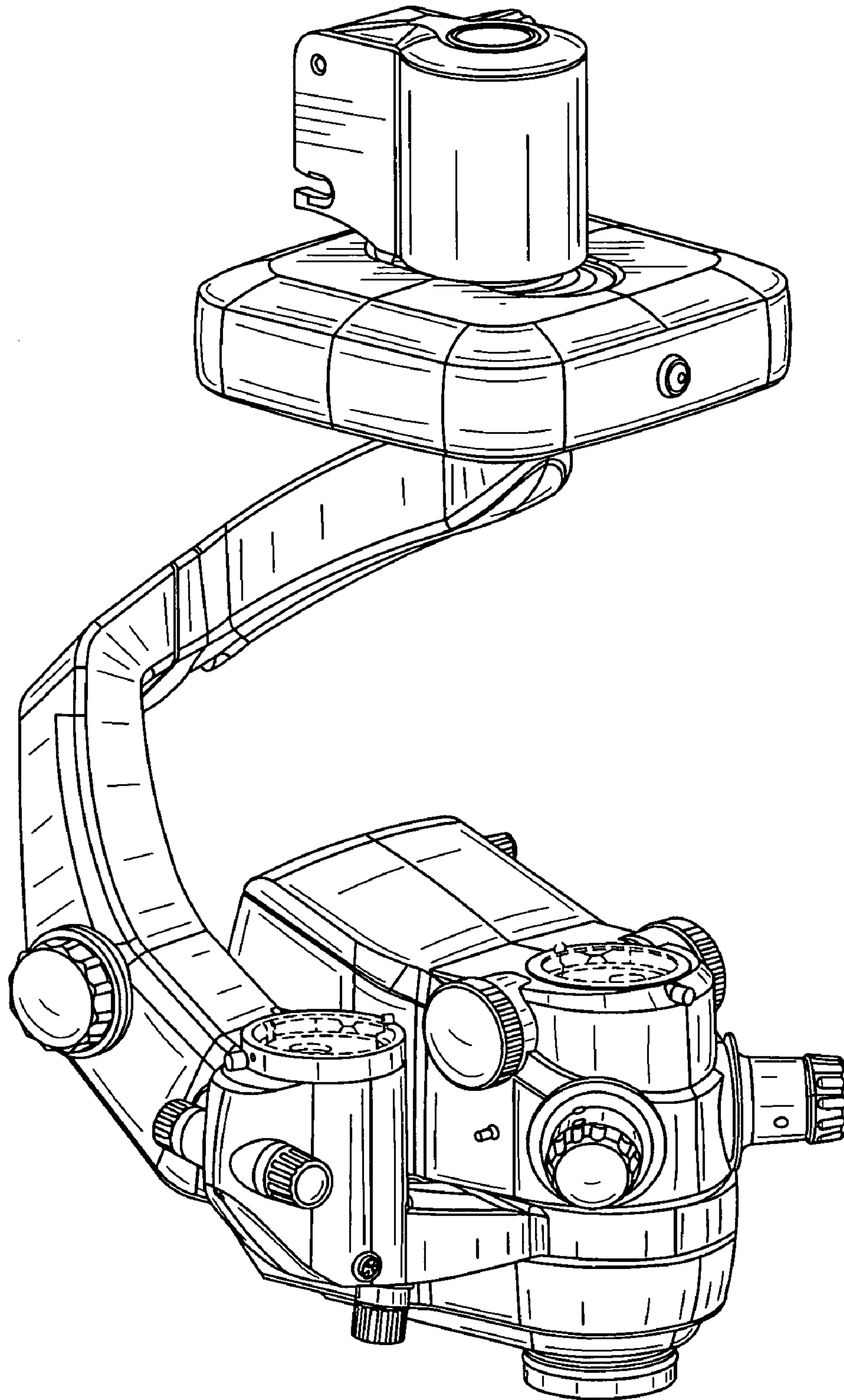


FIG. 14