



US00D637216S

(12) **United States Design Patent**  
**Michener**

(10) **Patent No.:** **US D637,216 S**

(45) **Date of Patent:** **\*\* May 3, 2011**

(54) **POWER TOOL ADAPTOR FOR A GREASE FITTING CLEANING TOOL**

(76) Inventor: **Paul B. Michener**, Waynesville, OH (US)

(\*\*) Term: **14 Years**

(21) Appl. No.: **29/354,025**

(22) Filed: **Jan. 19, 2010**

(51) **LOC (9) Cl.** ..... **15-09**

(52) **U.S. Cl.** ..... **D15/150**

(58) **Field of Classification Search** ..... D8/14;  
D15/150, 151, 152, 199; D32/1, 30, 35;  
15/105; 137/539; 141/383; 148/571; 184/15.1,  
184/105.1, 105.2, 105.3, 107, 108, 109; 222/262;  
384/624, 625

See application file for complete search history.

(56) **References Cited**

U.S. PATENT DOCUMENTS

D98,685 S *	2/1936	Langsner	.....	D16/132
D194,318 S *	1/1963	Knowles	.....	D8/30
3,580,462 A *	5/1971	Vanyi	.....	228/51
D263,715 S *	4/1982	Walter	.....	D15/199
4,545,461 A *	10/1985	Dewyer	.....	184/15.1
D300,297 S *	3/1989	Arehart	.....	D8/30

D375,967 S *	11/1996	Michener	.....	D15/150
D390,579 S *	2/1998	Michener	.....	D15/150
5,730,021 A *	3/1998	Johnson	.....	72/453.01
D417,459 S *	12/1999	Shintani et al.	.....	D15/144
D446,530 S *	8/2001	Kuraoka et al.	.....	D15/144
D477,763 S *	7/2003	Hebert	.....	D8/70
D511,666 S *	11/2005	Thompson	.....	D8/70
D561,415 S *	2/2008	Tavano	.....	D32/34
D570,385 S *	6/2008	Chuo	.....	D15/143
D583,878 S *	12/2008	Lo et al.	.....	D21/402
D608,919 S *	1/2010	Henry	.....	D26/37
2004/0031812 A1 *	2/2004	McInerney	.....	222/1

\* cited by examiner

*Primary Examiner* — Patricia Palasik

(74) *Attorney, Agent, or Firm* — Jacox, Meckstroth & Jenkins

(57) **CLAIM**

The ornamental design of a power tool adaptor for a grease fitting cleaning tool, as shown and described.

**DESCRIPTION**

FIG. 1 is a perspective view of a power tool adaptor for a grease fitting cleaning tool and showing my new design; FIG. 2 is a side view thereof, the opposite side view being a mirror image; FIG. 3 is a view of one end thereof; and, FIG. 4 is a view of the opposite end thereof.

**1 Claim, 1 Drawing Sheet**

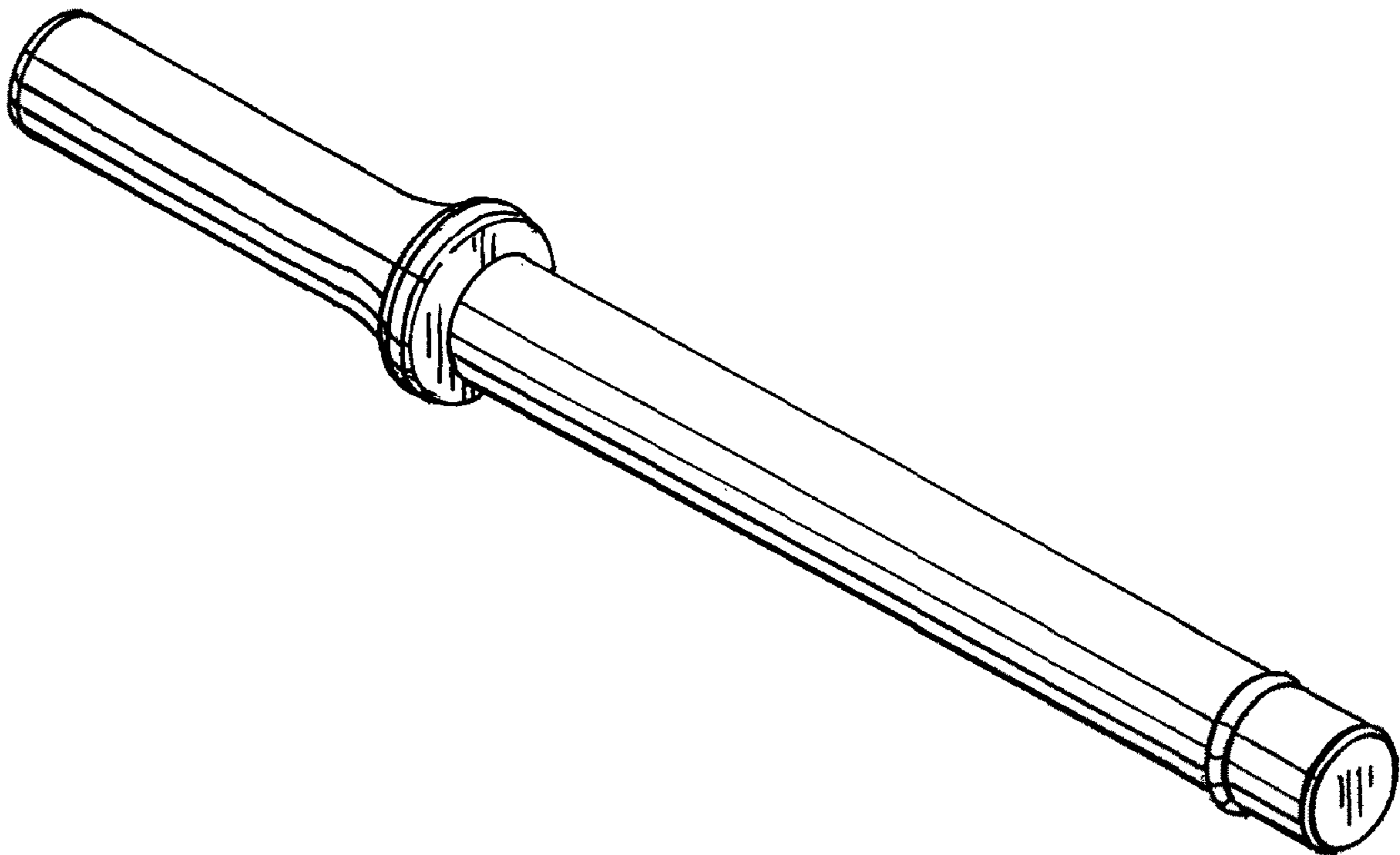


FIG-1

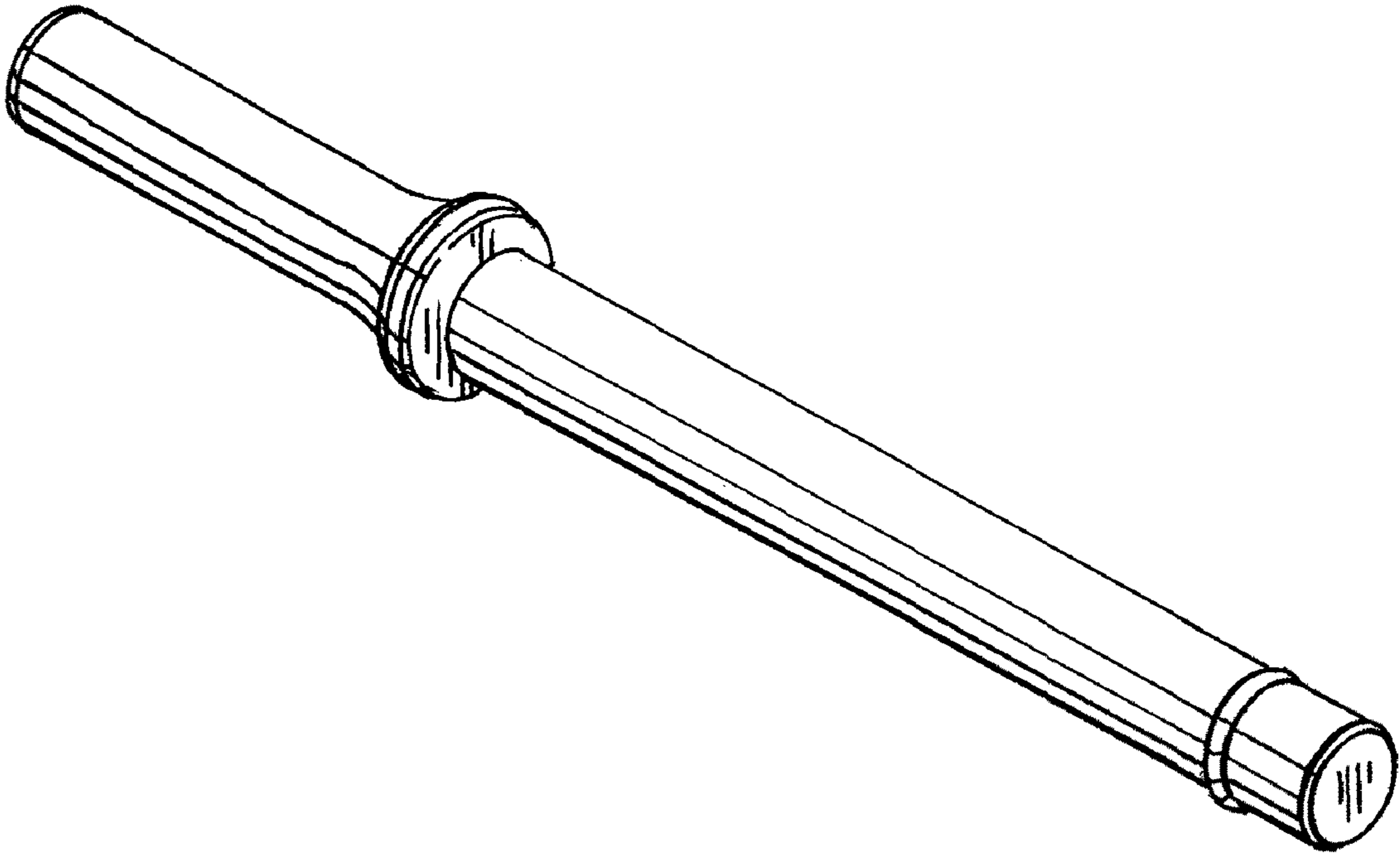


FIG-2

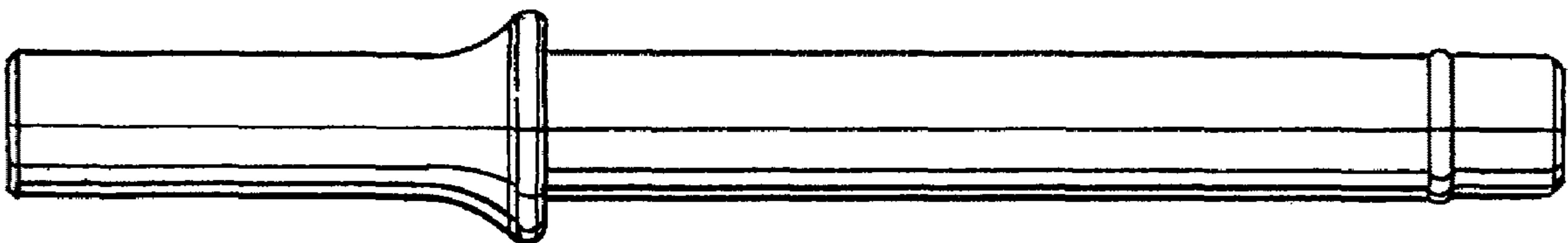


FIG-3

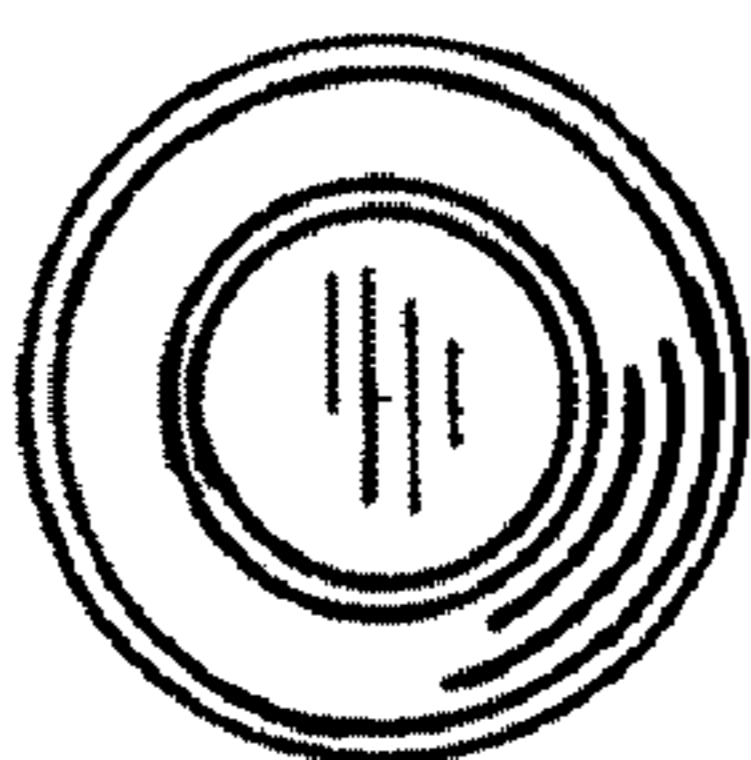


FIG-4

