



US00D637215S

(12) **United States Design Patent**  
**Krohmer et al.**

(10) **Patent No.:** **US D637,215 S**  
(45) **Date of Patent:** **\*\* May 3, 2011**

(54) **CHIP SEPARATOR KIT**

(75) Inventors: **Steve Donald Krohmer**, Coon Rapids, MN (US); **Daniel L. Wenning**, Minneapolis, MN (US)

(73) Assignee: **Rockler Companies, Inc.**, Medina, MN (US)

(\*\*) Term: **14 Years**

(21) Appl. No.: **29/380,290**

(22) Filed: **Dec. 2, 2010**

(51) **LOC (9) Cl.** ..... **15-09**

(52) **U.S. Cl.** ..... **D15/147; D15/127**

(58) **Field of Classification Search** ..... D9/435, D9/439, 449, 454; D15/127, 139, 147; 144/193 R, 144/193 D, 193 G, 219, 240-241; 407/33, 407/54, 55, 57, 60-62, 113, 114, 117; 408/72 R, 408/79, 115 R, 204, 207

See application file for complete search history.

(56) **References Cited**

**U.S. PATENT DOCUMENTS**

D258,213 S \* 2/1981 Lydford ..... D15/147  
D260,650 S \* 9/1981 Alviti ..... D15/147  
D271,879 S \* 12/1983 Neilson ..... D15/147

D288,693 S \* 3/1987 Wysolmierski ..... D15/147  
D294,363 S \* 2/1988 Donhauser ..... D15/147  
D299,830 S \* 2/1989 Chung-Hui ..... D15/147  
D322,078 S \* 12/1991 Korb ..... D15/147  
5,090,093 A \* 2/1992 Kelly ..... 241/38  
D335,294 S \* 5/1993 Vallien ..... D15/147  
D592,952 S \* 5/2009 Hundley et al. .... D9/447  
7,654,480 B2 \* 2/2010 Baer et al. .... 241/36  
D624,414 S \* 9/2010 Benoit-Gonin et al. .... D9/449  
2002/0027139 A1 \* 3/2002 O'Neill ..... 220/254  
2008/0006728 A1 \* 1/2008 Zhang ..... 241/37.5  
2008/0135654 A1 \* 6/2008 Pryor et al. .... 241/37.5  
2008/0203201 A1 \* 8/2008 Deppermann et al. .... 241/25  
2009/0230224 A1 \* 9/2009 Eriksen ..... 241/19

\* cited by examiner

*Primary Examiner* — Patricia Palasik

(74) *Attorney, Agent, or Firm* — Altera Law Group, LLC

(57) **CLAIM**

The ornamental design for a chip separator kit, as shown and described.

**DESCRIPTION**

FIG. 1 is a top perspective view of the chip separator kit.

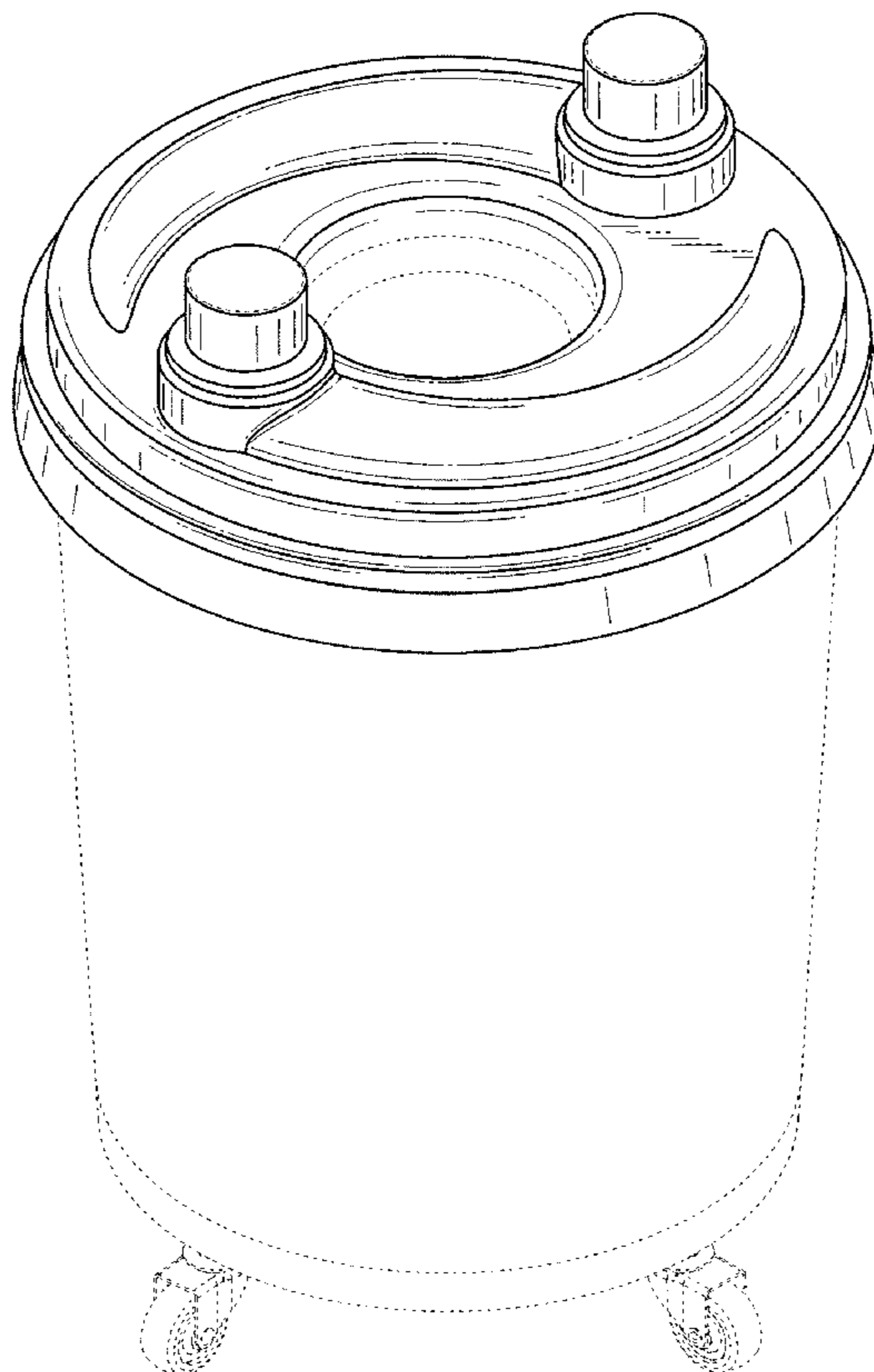
FIG. 2 is a side view thereof.

FIG. 3 is another side view rotated 90 degrees thereof.

FIG. 4 is a top view thereof; and,

FIG. 5 is a bottom view thereof.

**1 Claim, 5 Drawing Sheets**



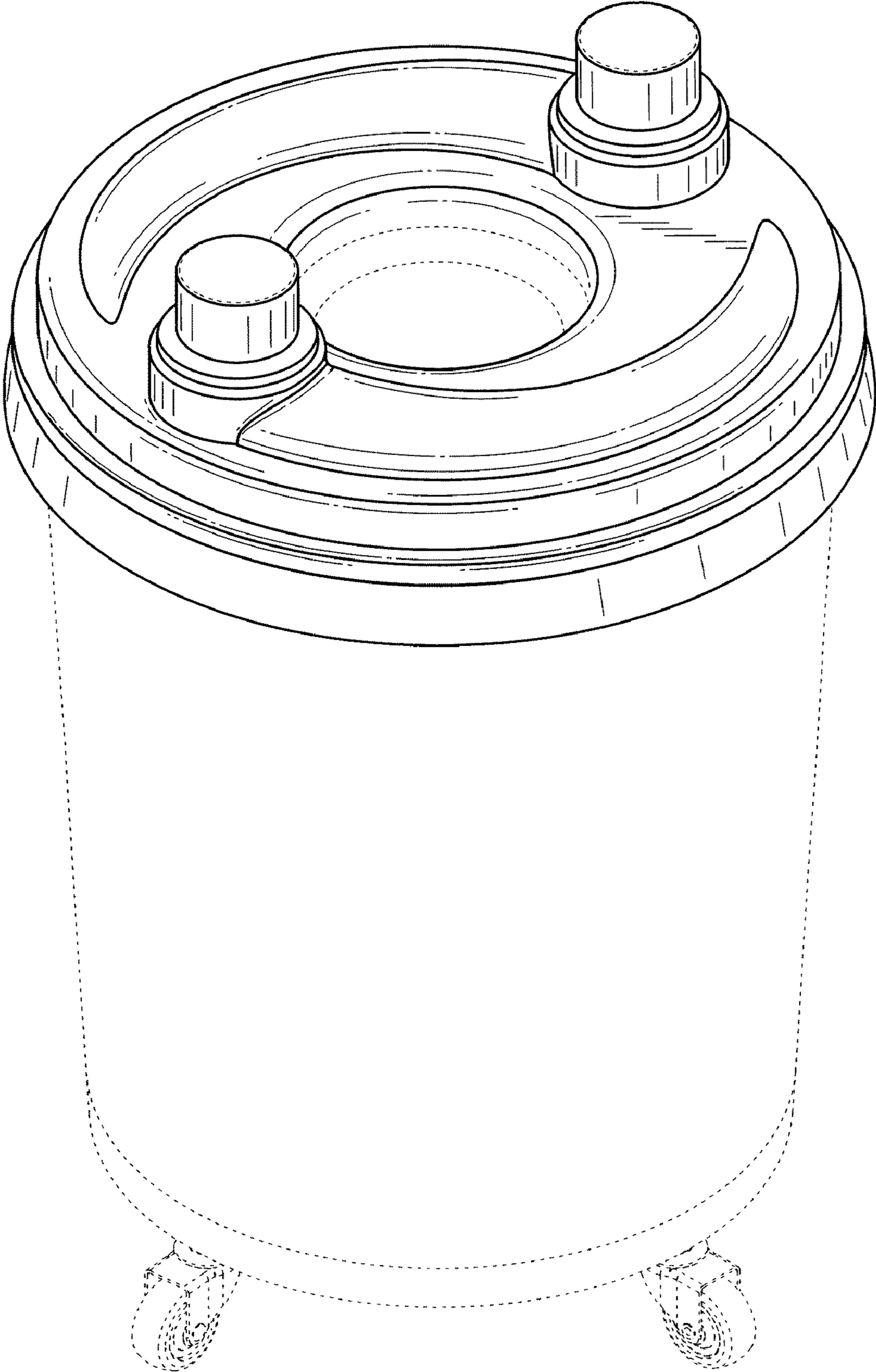


Fig. 1

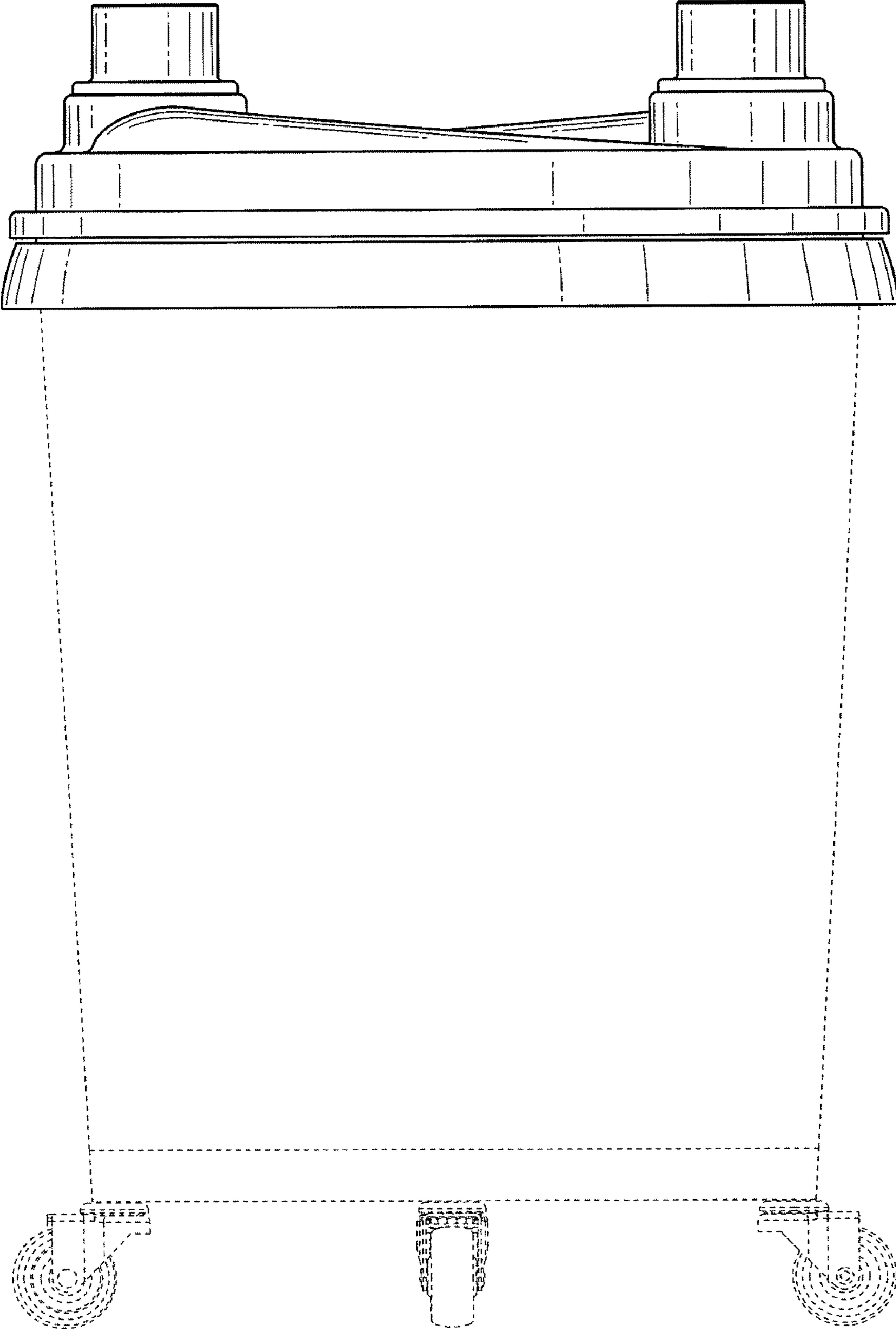


Fig. 2

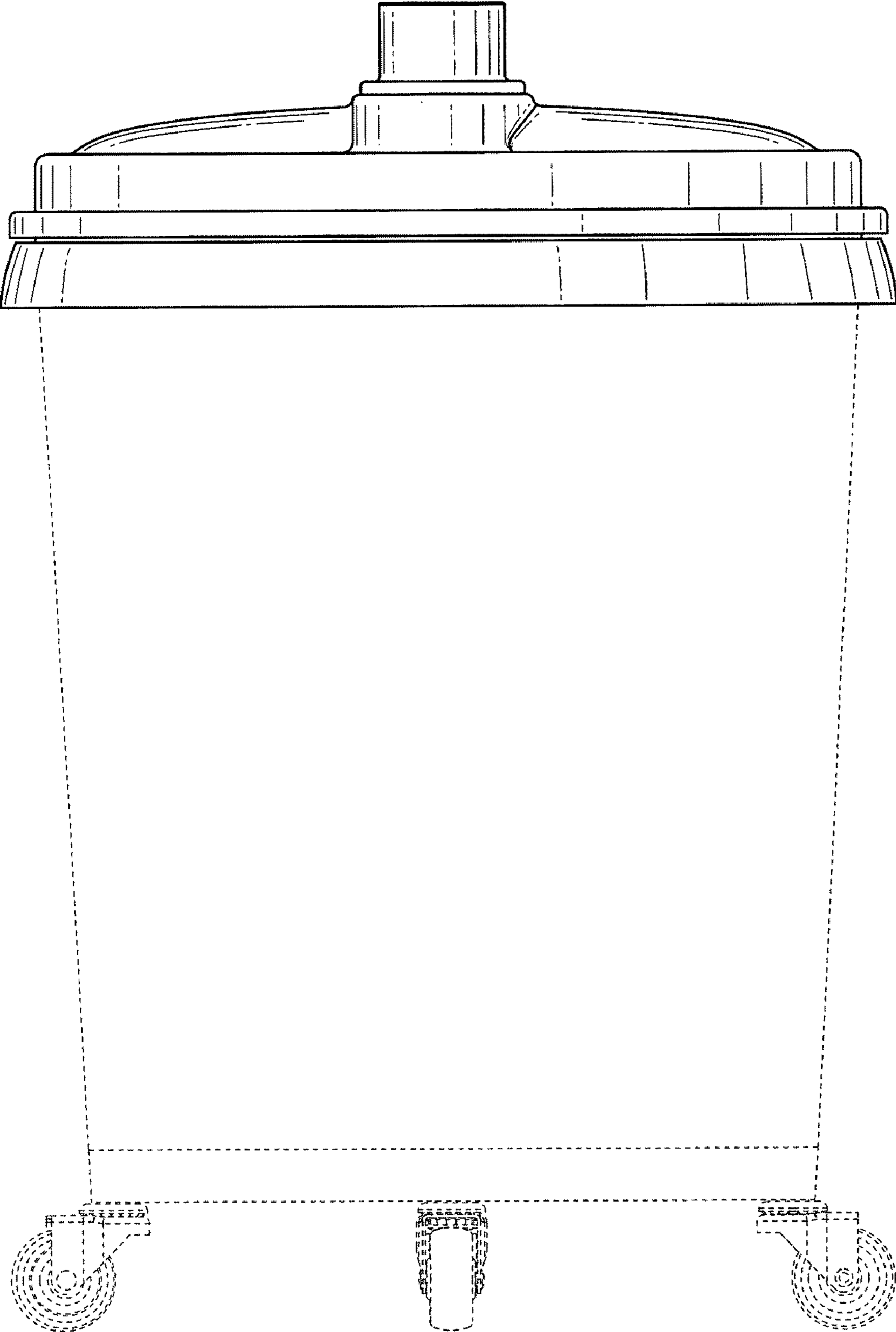


Fig. 3



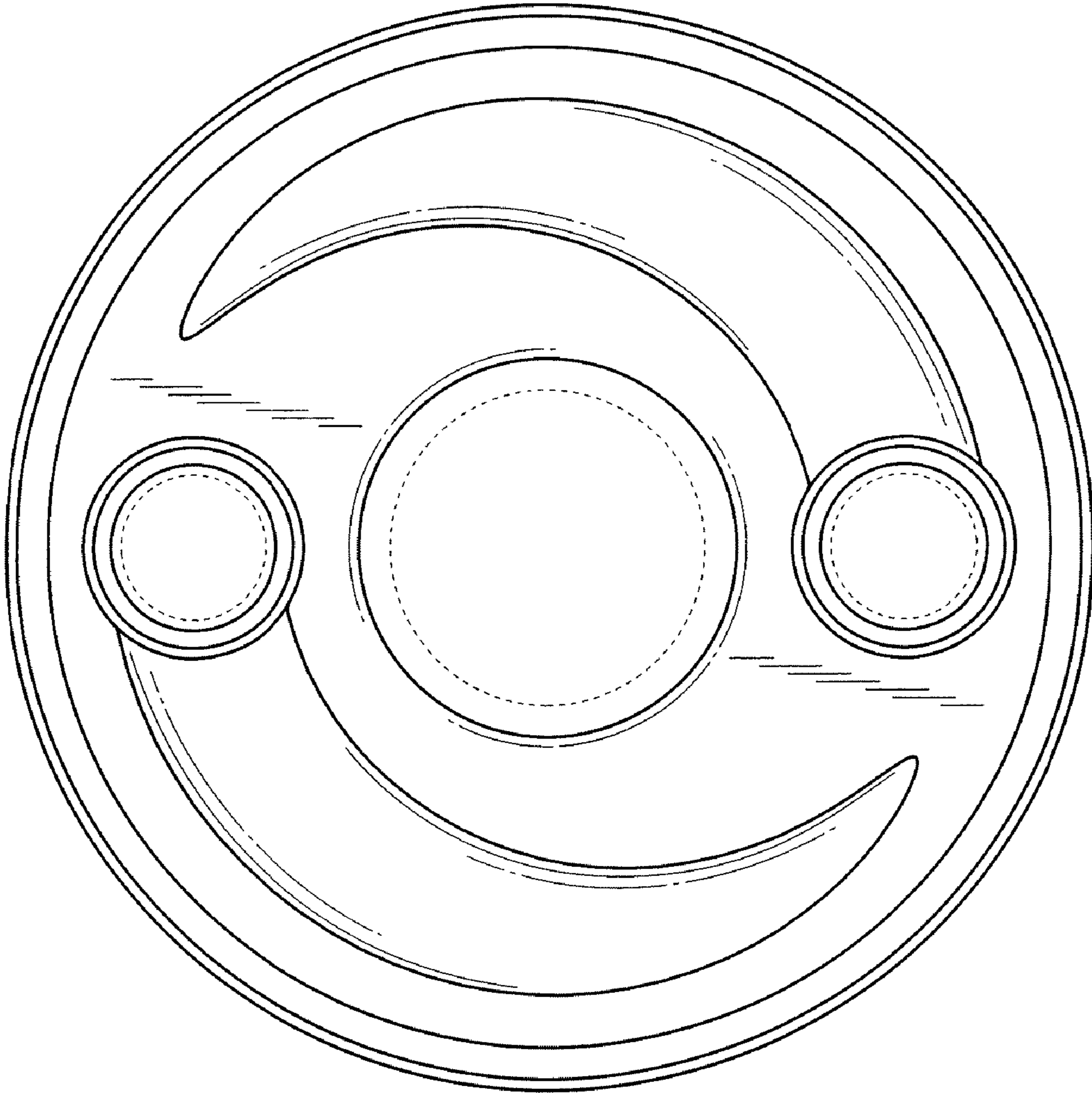
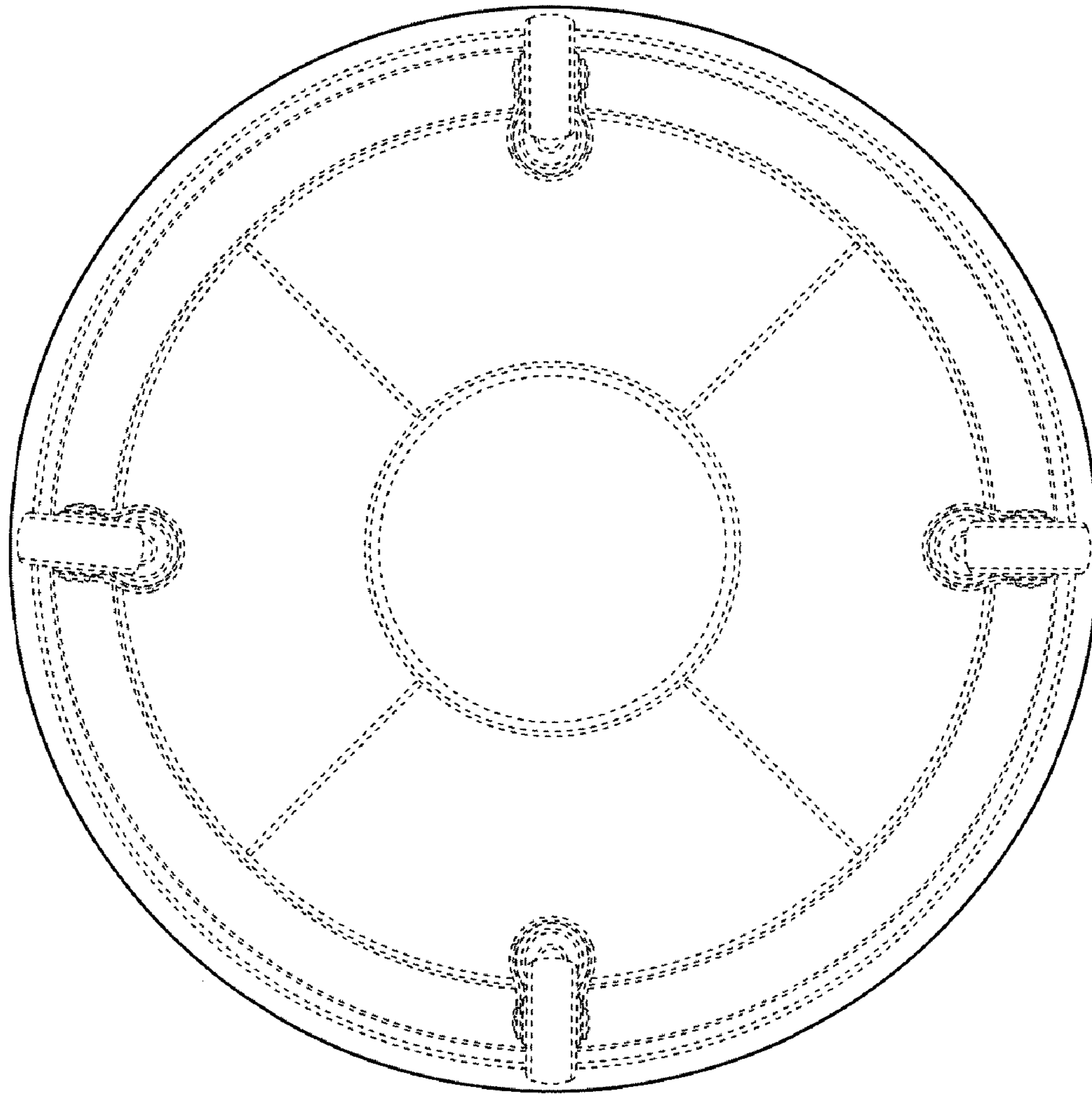


Fig. 4



**Fig. 5**