



US00D637214S

(12) **United States Design Patent**
Saito et al.

(10) **Patent No.:** **US D637,214 S**

(45) **Date of Patent:** **** May 3, 2011**

(54) **CUTTING INSERT**

(75) Inventors: **Takayoshi Saito**, Joso (JP); **Nobukazu Horiike**, Joso (JP); **Jun Kitajima**, Joso (JP)

(73) Assignee: **Mitsubishi Materials Corporation**, Tokyo (JP)

(**) Term: **14 Years**

(21) Appl. No.: **29/371,181**

(22) Filed: **Nov. 15, 2010**

(30) **Foreign Application Priority Data**

Aug. 11, 2010 (JP) 2010-019602

(51) **LOC (9) Cl.** **15-09**

(52) **U.S. Cl.** **D15/139**

(58) **Field of Classification Search** D8/70,
D8/71; D15/131, 138, 139, 140; 407/35,
407/113-119

See application file for complete search history.

(56) **References Cited**

U.S. PATENT DOCUMENTS

D342,269	S *	12/1993	Arai et al.	D15/139
D347,642	S *	6/1994	Lindberg	D15/139
5,513,931	A *	5/1996	Reiterman et al.	407/113
D404,406	S *	1/1999	Satran et al.	D15/139
6,227,772	B1 *	5/2001	Heinloth et al.	407/113
6,238,146	B1 *	5/2001	Satran et al.	407/113
D485,852	S *	1/2004	Arvidsson	D15/139
6,872,034	B2 *	3/2005	Satran et al.	407/113

7,008,146	B2 *	3/2006	DeRoche et al.	407/42
7,014,396	B2 *	3/2006	Satran et al.	407/113
7,094,007	B2 *	8/2006	Satran et al.	407/113
7,104,735	B2 *	9/2006	Johnson et al.	407/42
D572,279	S *	7/2008	Takanashi et al.	D15/139
D579,470	S *	10/2008	Maeta et al.	D15/139
D585,467	S *	1/2009	Takanashi et al.	D15/139
D588,616	S *	3/2009	Tanaka et al.	D15/139
2007/0104546	A1 *	5/2007	Maeta et al.	407/113

* cited by examiner

Primary Examiner — Patricia Palasik

(74) *Attorney, Agent, or Firm* — Edwards Angell Palmer & Dodge LLP

(57) **CLAIM**

The ornamental design for a cutting insert, as shown and described.

DESCRIPTION

FIG. 1 is a top, front perspective view of a cutting insert. FIG. 2 is a bottom, front perspective view thereof. FIG. 3 is a front elevation view thereof. A rear elevation view is omitted because it is identical to the front elevation view. FIG. 4 is a top plan view thereof. FIG. 5 is a bottom plan view thereof. FIG. 6 is a right side elevation view thereof. A left side elevation view is omitted because it is identical to the right side elevation view. FIG. 7 is a sectional view taken along line 7—7 in FIG. 3. FIG. 8 is a sectional view taken along line 8—8 in FIG. 3; and, FIG. 9 is a sectional view taken along line 9—9 in FIG. 4.

1 Claim, 9 Drawing Sheets

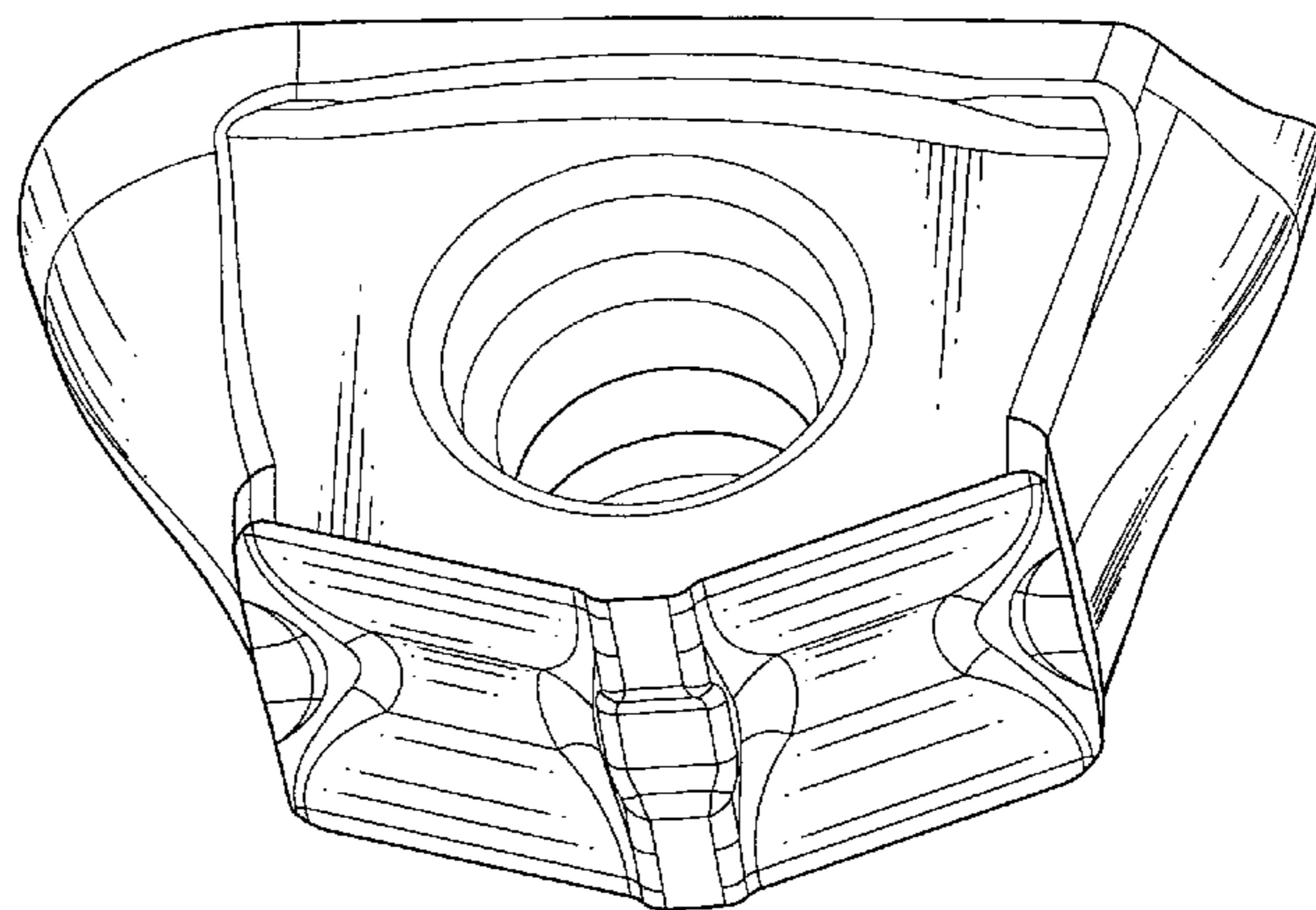
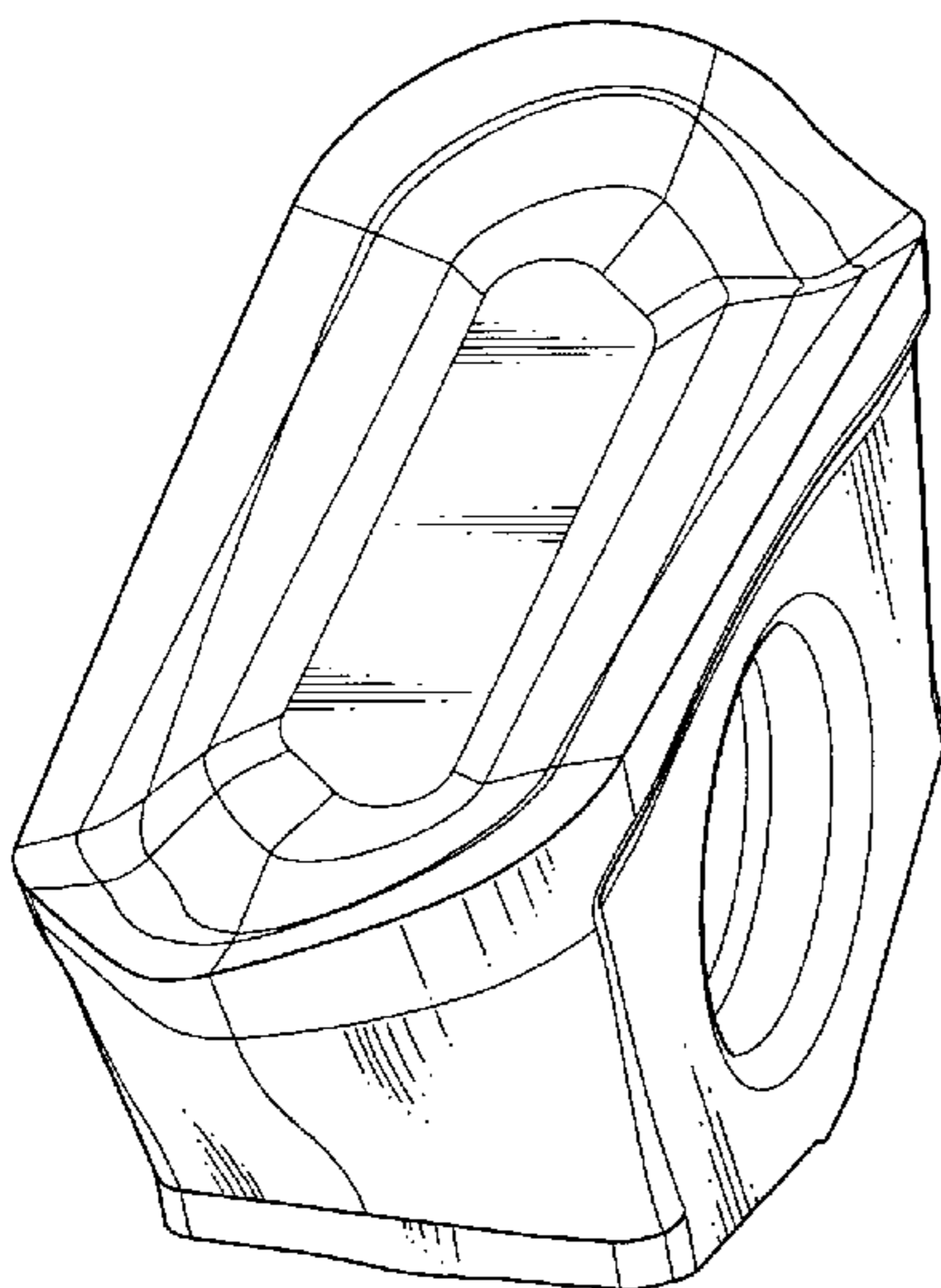


FIG. 1

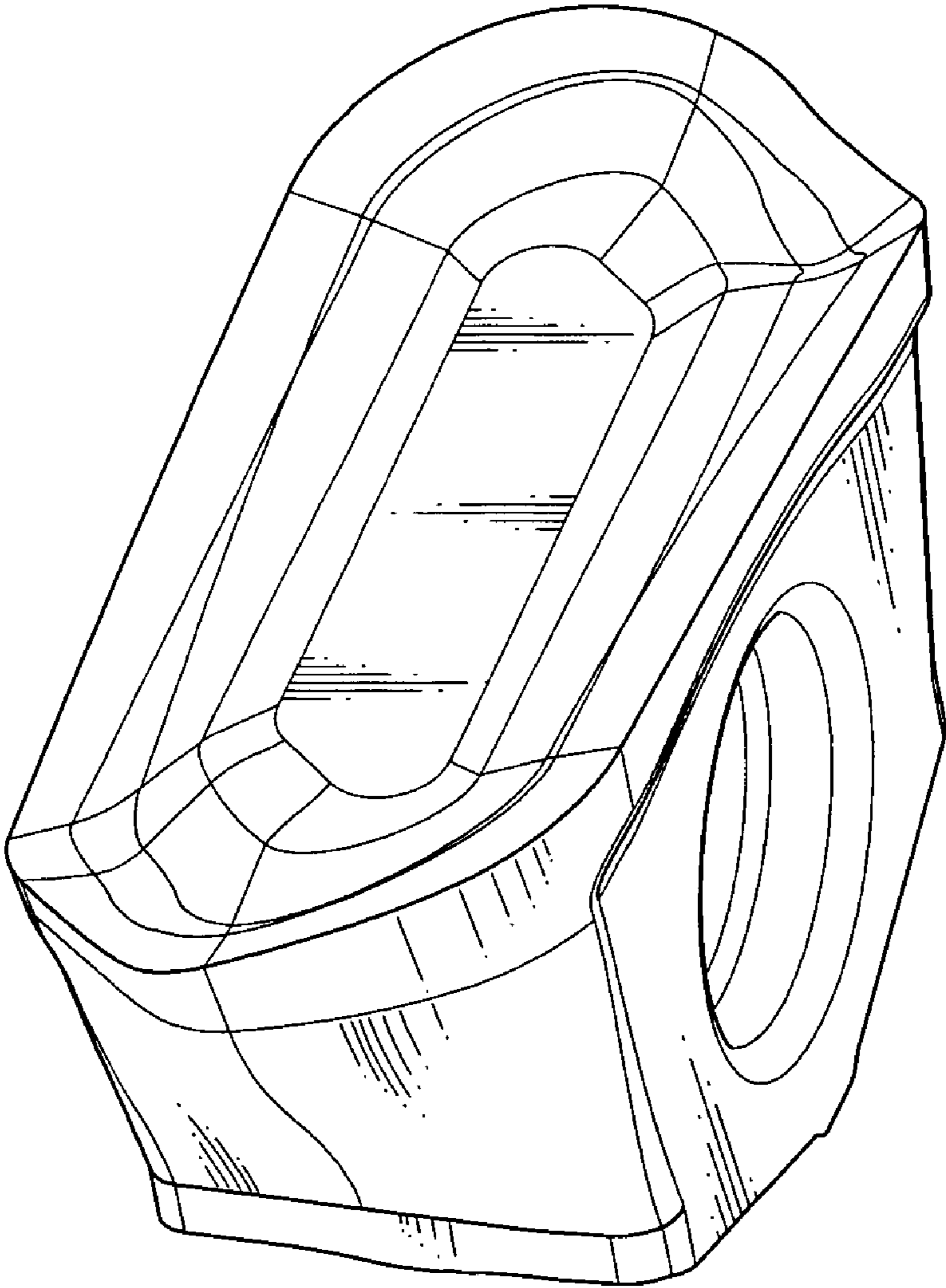


FIG. 2

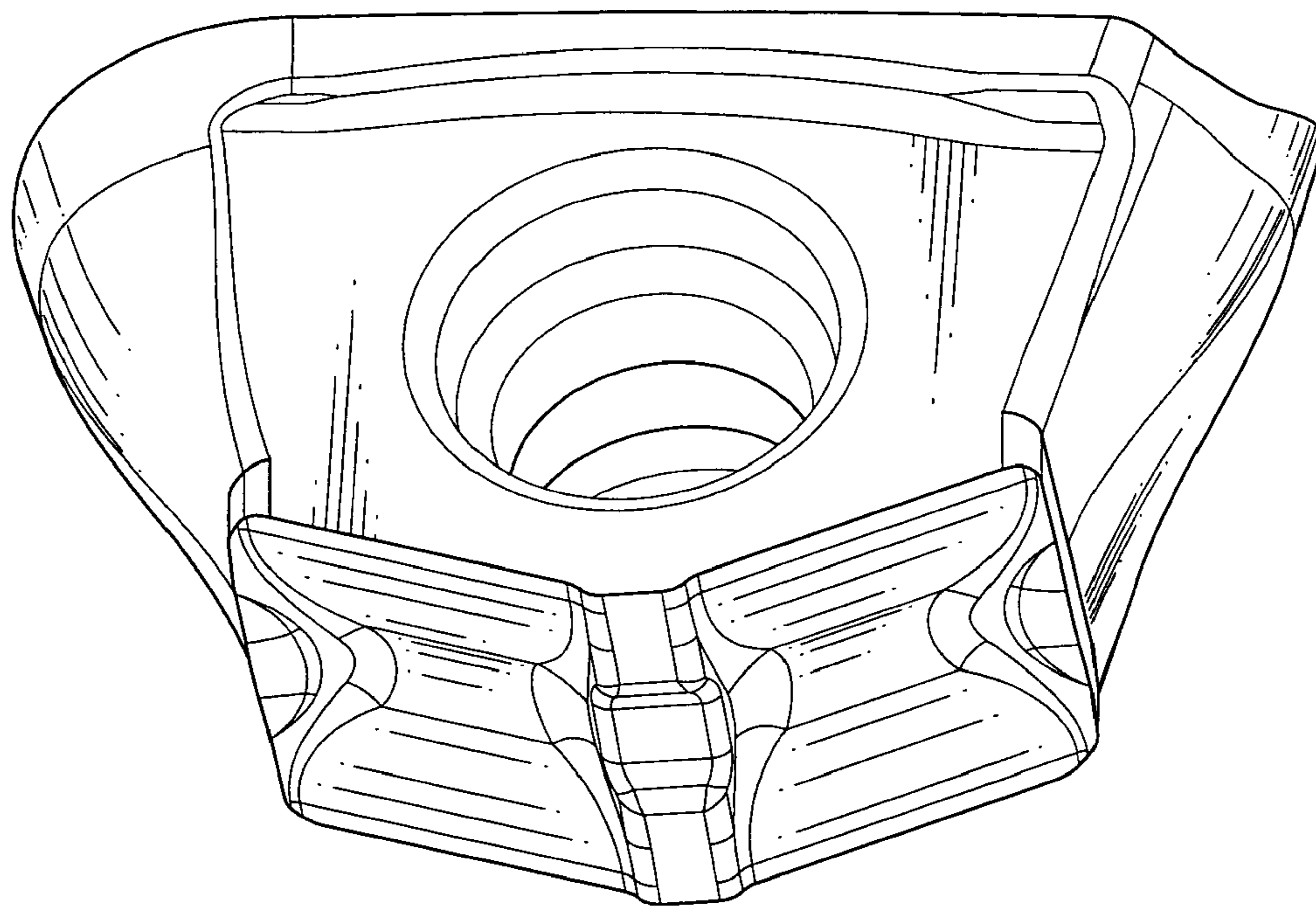


FIG. 3

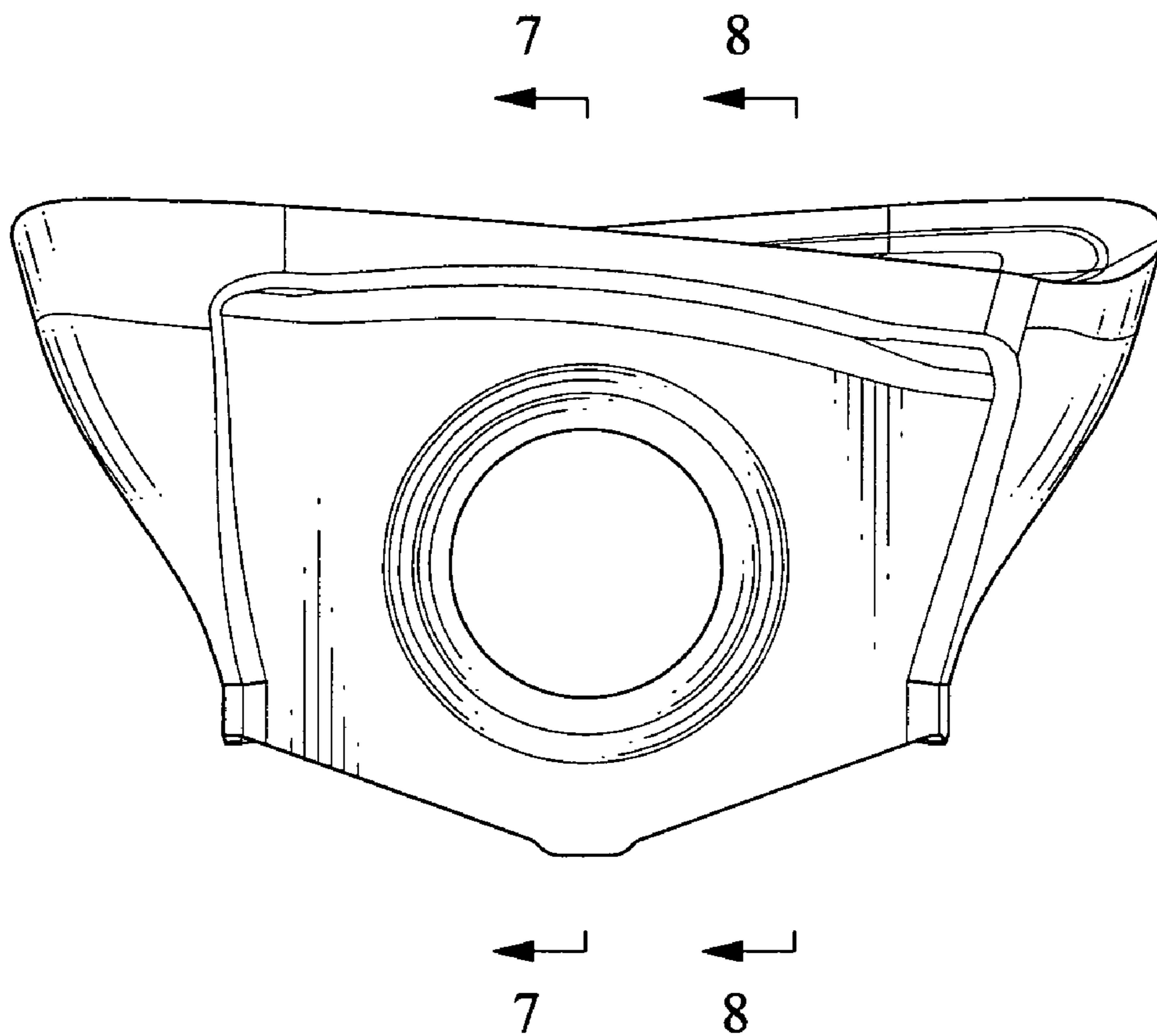


FIG. 4

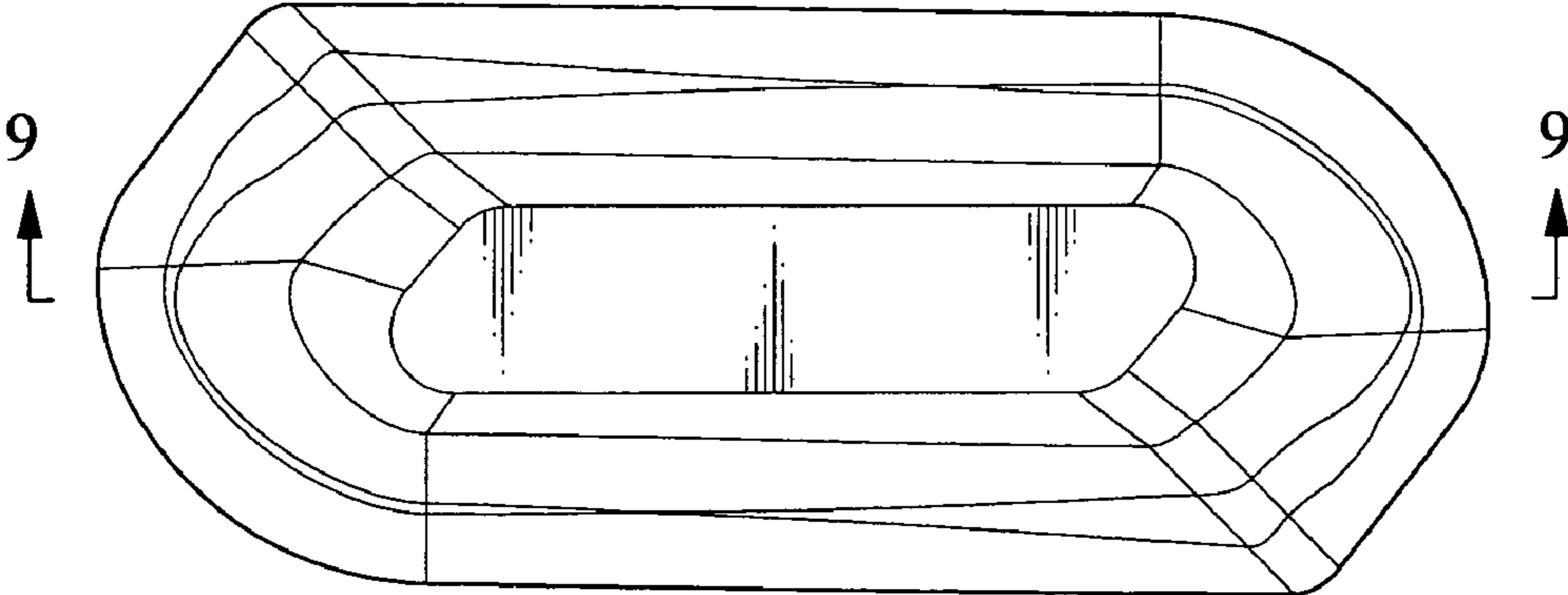


FIG. 5

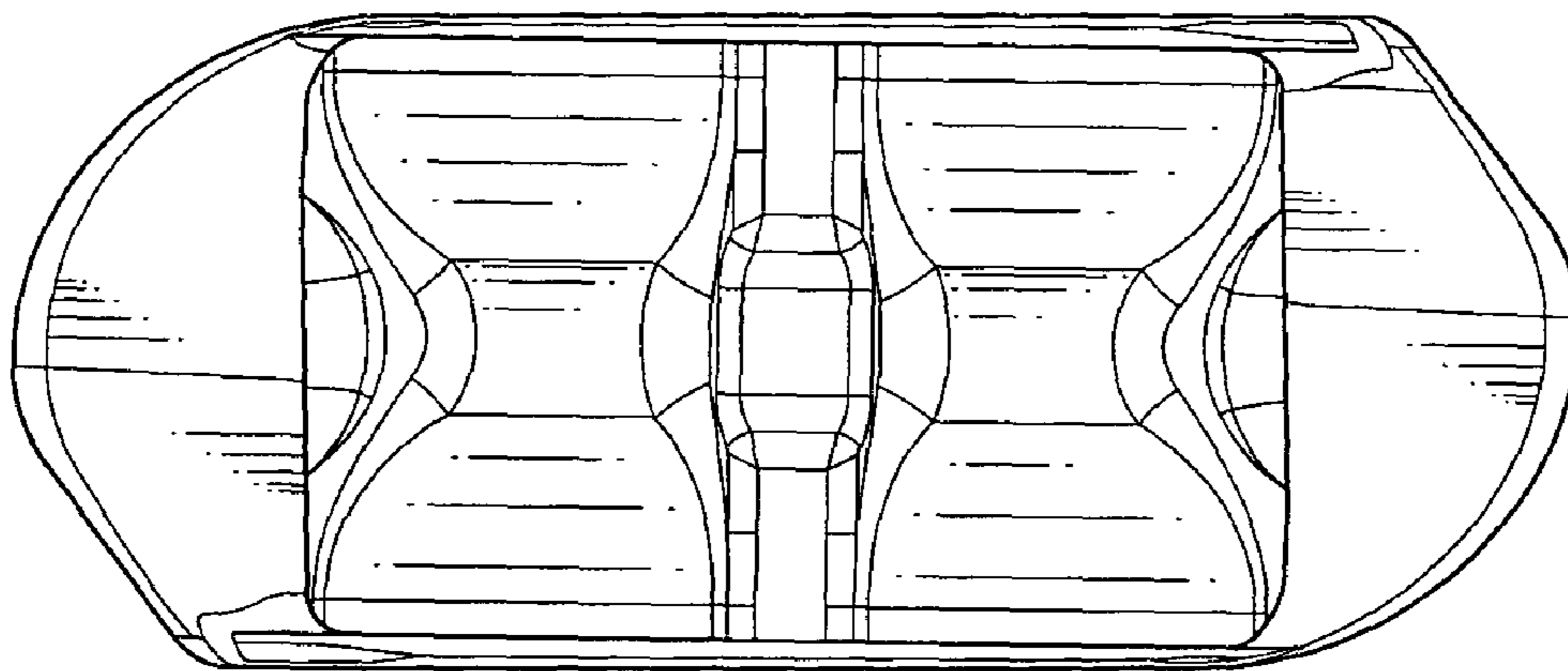


FIG. 6

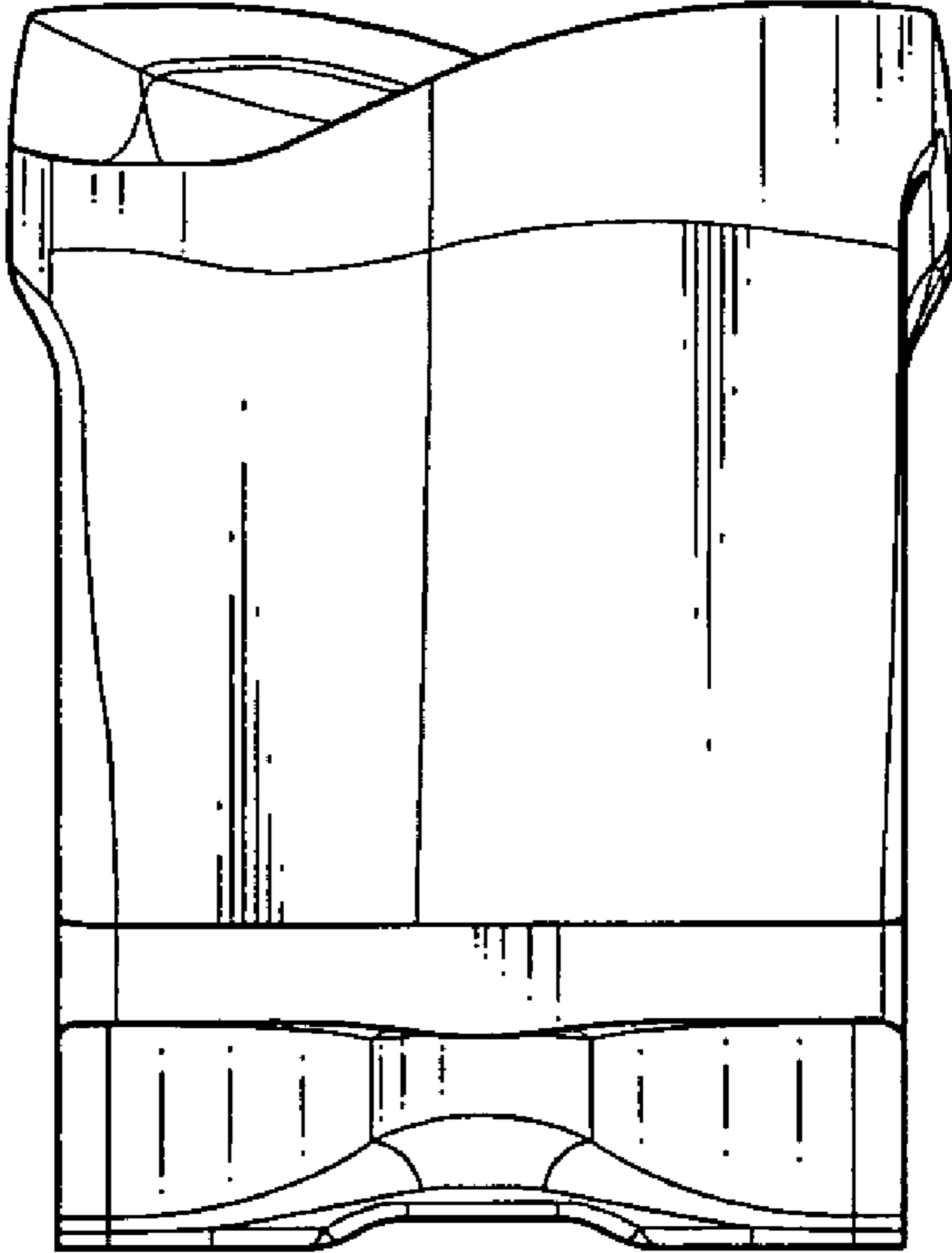


FIG. 7

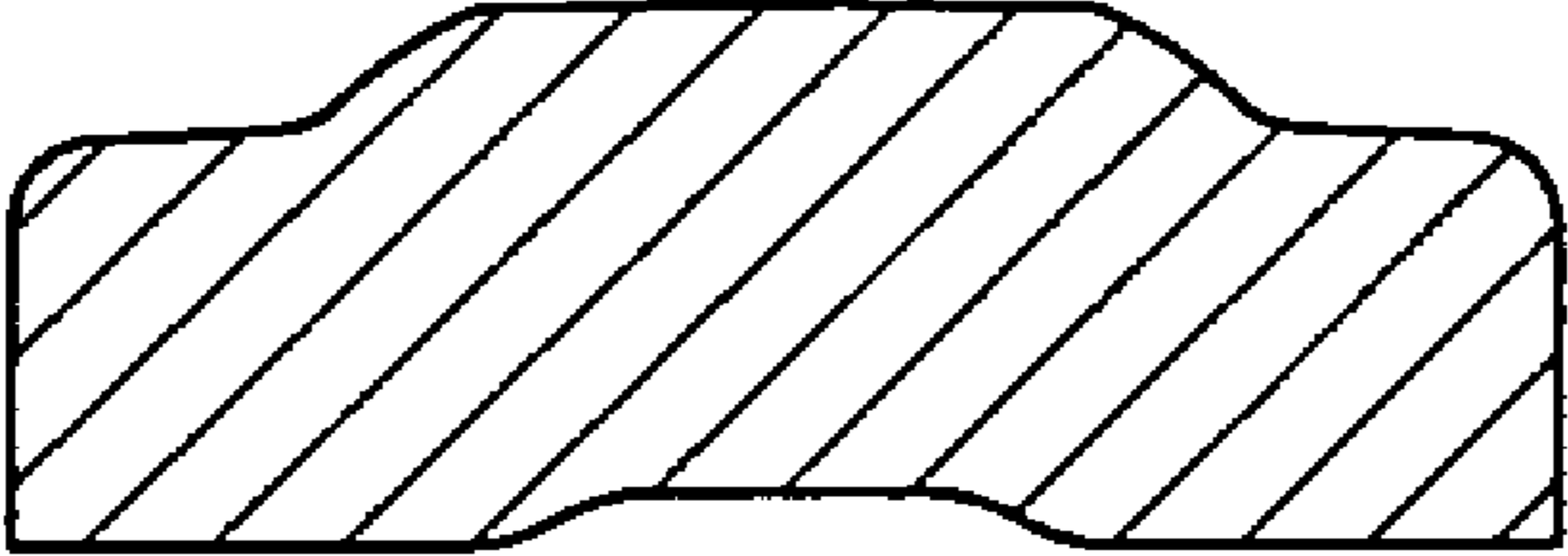
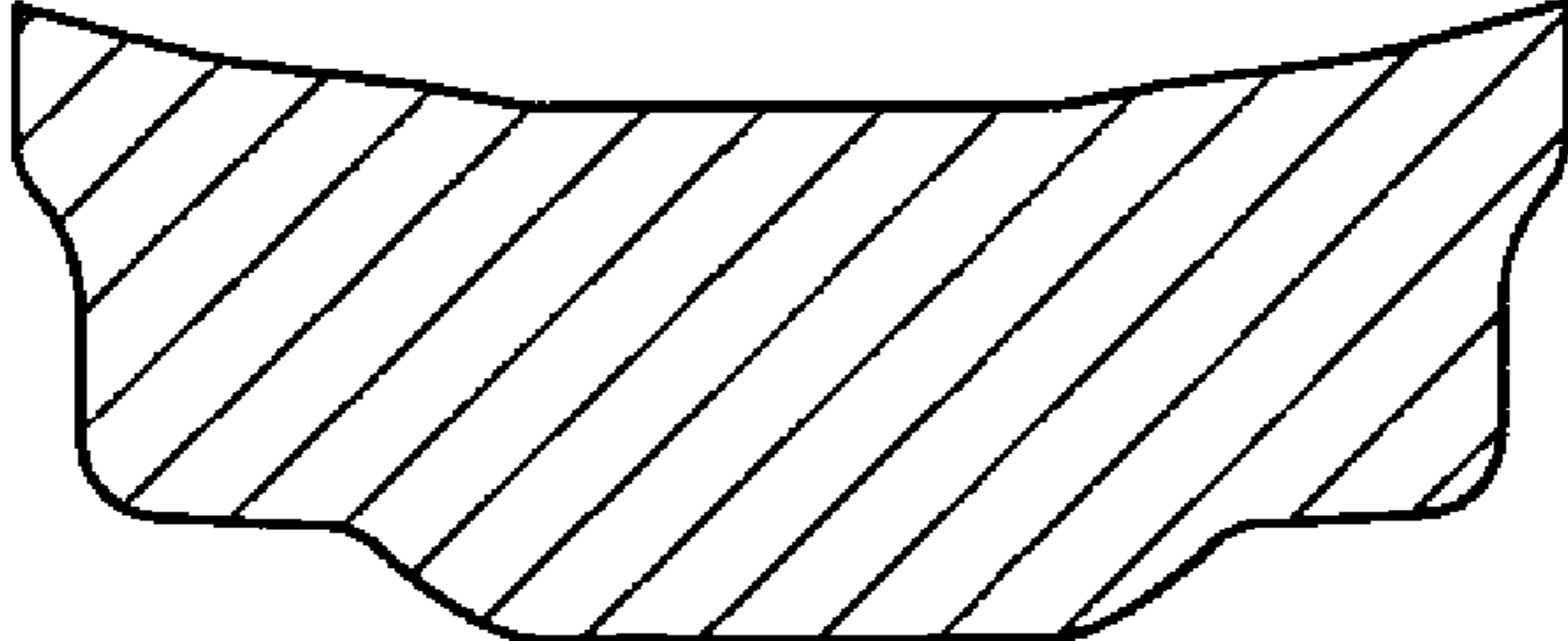


FIG. 8

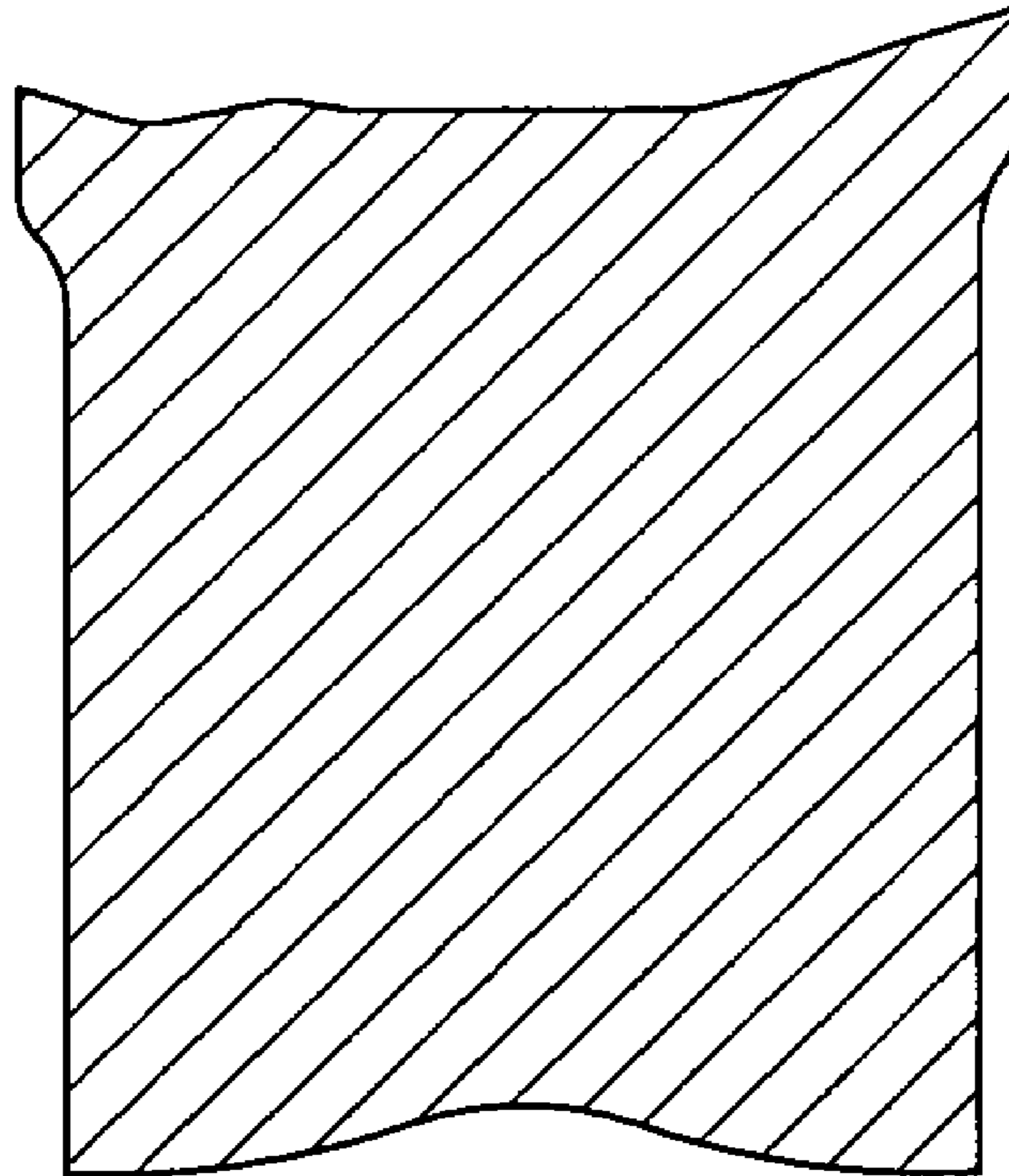


FIG. 9

