



US00D637211S

(12) **United States Design Patent**
Parks et al.

(10) **Patent No.:** **US D637,211 S**

(45) **Date of Patent:** **** May 3, 2011**

(54) **COMPRESSOR**

(75) Inventors: **Berlie Eugene Parks**, Bright, IN (US);
Darrin W. Wilmes, Cincinnati, OH
(US); **Dwight Charles Grubbs**,
Harrison, OH (US)

(73) Assignee: **Campbell Hausfeld/Scott Fetzer**
Company, Harrison, OH (US)

(**) Term: **14 Years**

(21) Appl. No.: **29/334,727**

(22) Filed: **Mar. 31, 2009**

(51) **LOC (9) Cl.** **15-02**

(52) **U.S. Cl.** **D15/9**

(58) **Field of Classification Search** D15/7-9;
D23/231, 232, 225; 417/410.1, 359, 415-416,
417/234, 321, 265, 405

See application file for complete search history.

(56) **References Cited**

U.S. PATENT DOCUMENTS

D491,577 S * 6/2004 Akimoto et al. D15/7
D519,126 S * 4/2006 Leasure et al. D15/9

D575,308 S * 8/2008 Plunk et al. D15/9
D579,463 S * 10/2008 Plunk et al. D15/9
D582,945 S * 12/2008 Chou D15/9
D588,160 S * 3/2009 Beale et al. D15/7
D590,841 S * 4/2009 Muhlenberend D15/7

* cited by examiner

Primary Examiner — Ralf Seifert

(74) *Attorney, Agent, or Firm* — Jones Day

(57) **CLAIM**

The ornamental design for a compressor, as shown and described.

DESCRIPTION

FIG. 1 is a perspective view of a compressor embodying the ornamental design of the present invention.

FIG. 2 is a front view thereof.

FIG. 3 is a rear view thereof.

FIG. 4 is a side view thereof.

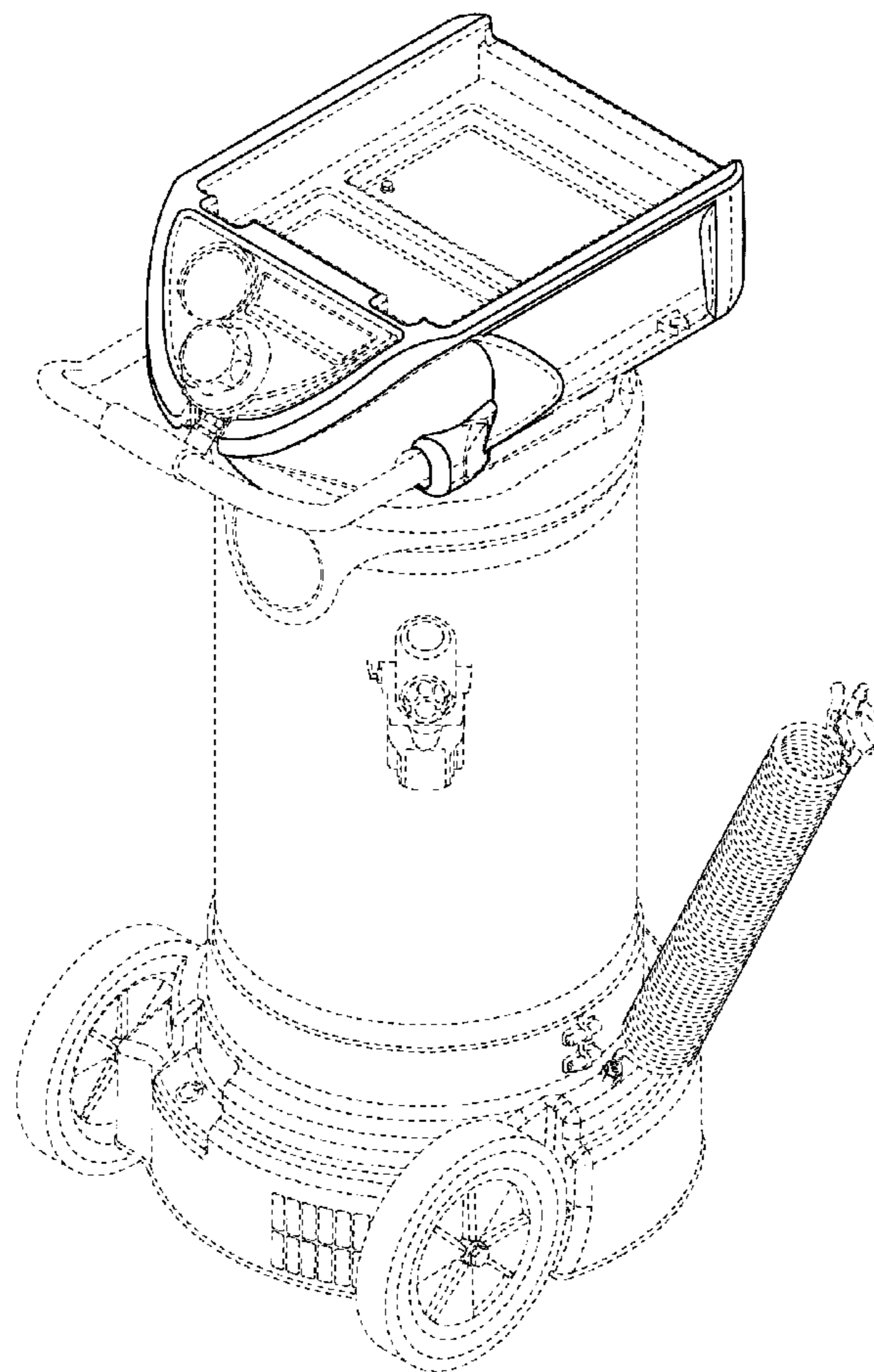
FIG. 5 is an opposite side thereof.

FIG. 6 is a top view thereof; and,

FIG. 7 is a bottom view thereof.

The broken lines in the figures are for illustrative purposes only and form no part of the claimed design.

1 Claim, 7 Drawing Sheets



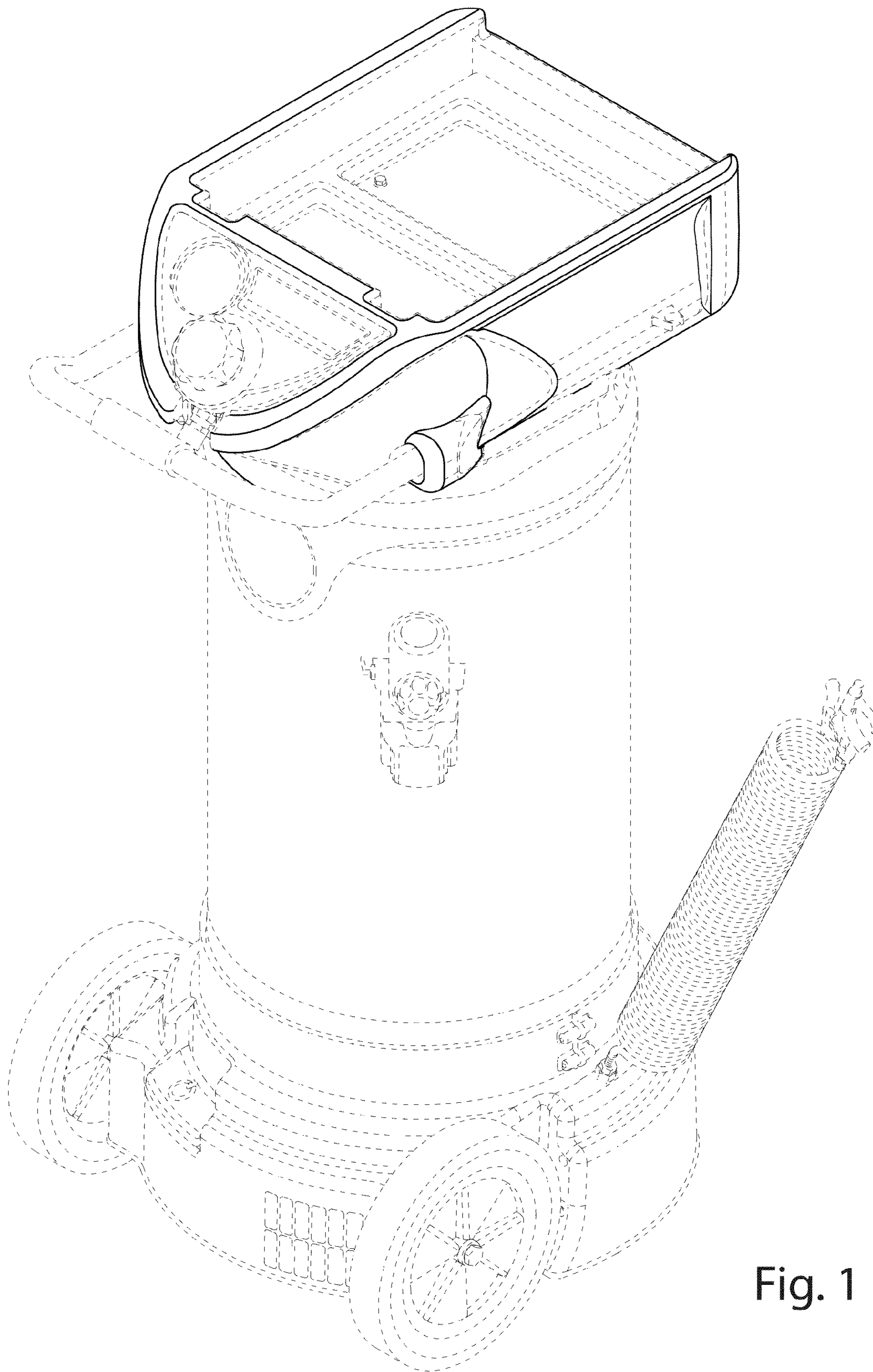


Fig. 1

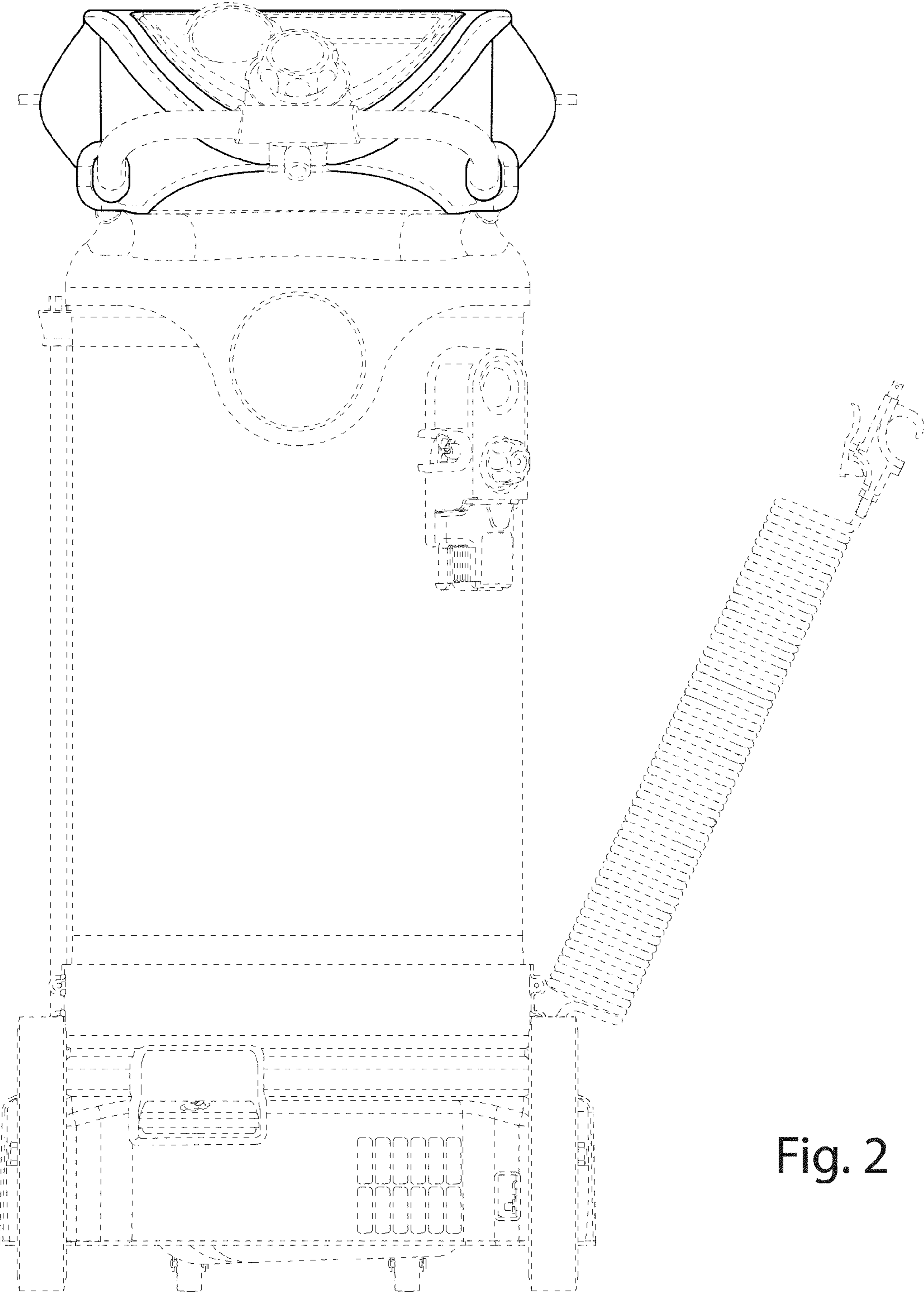


Fig. 2

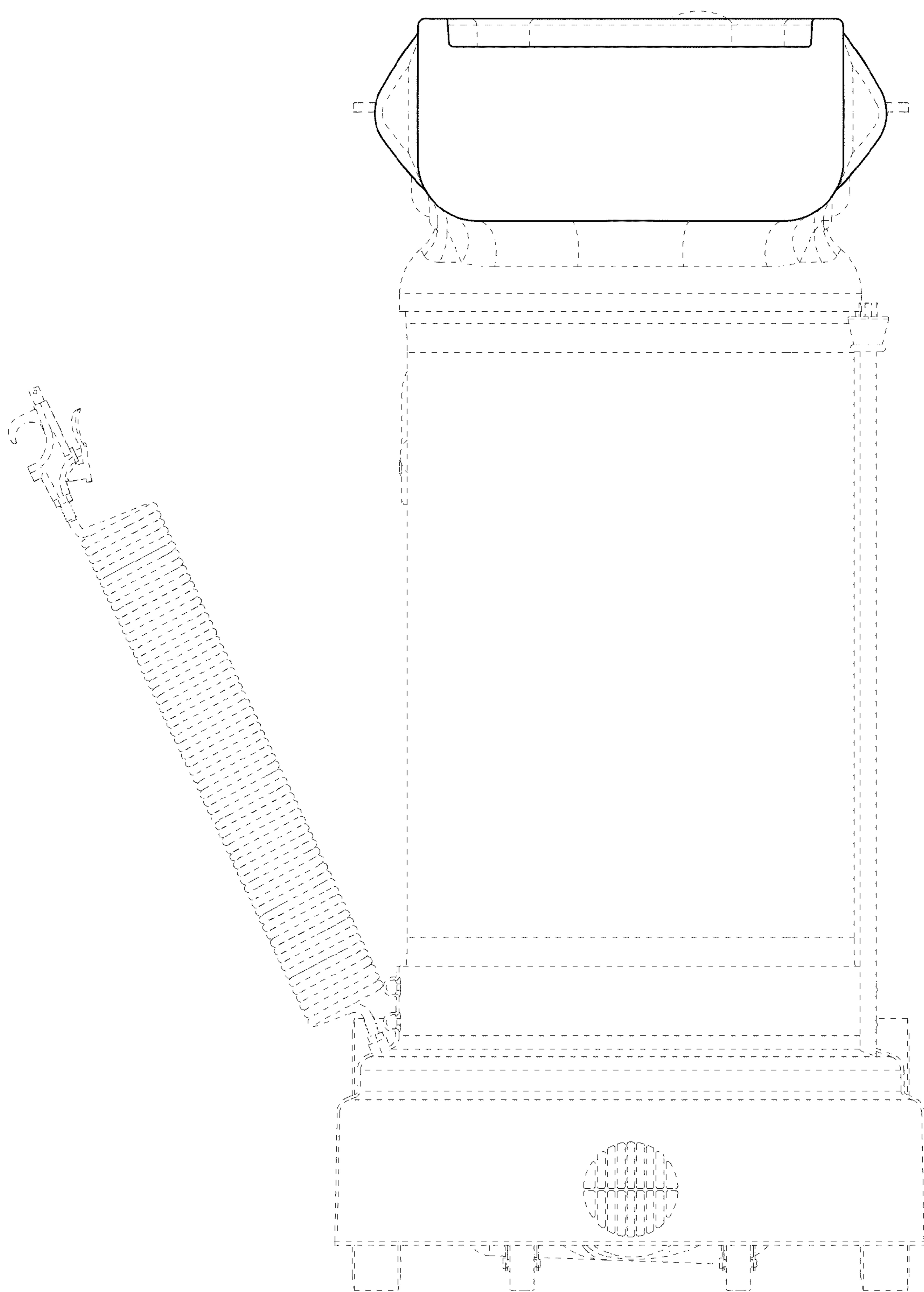


Fig. 3

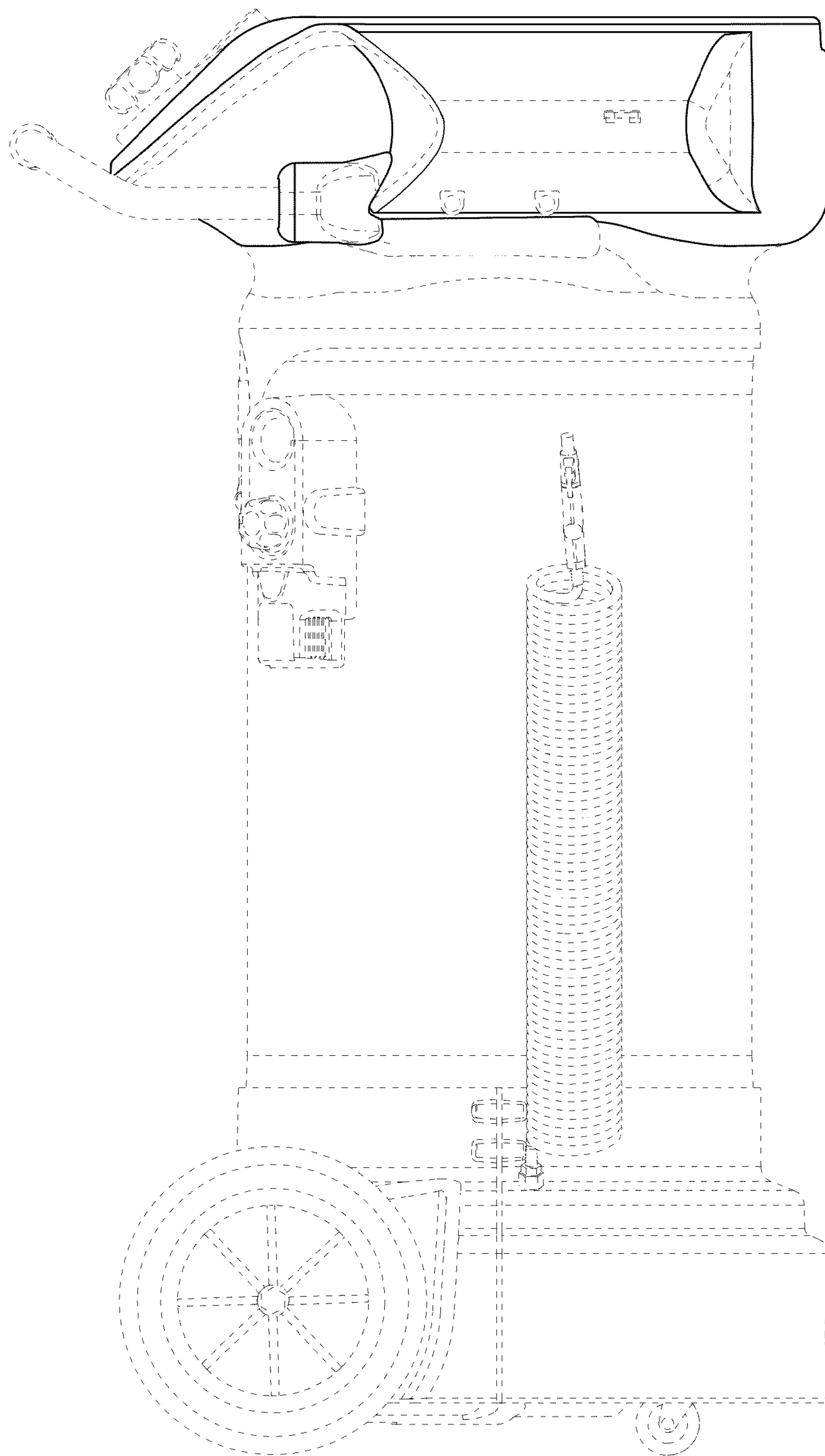


Fig. 4

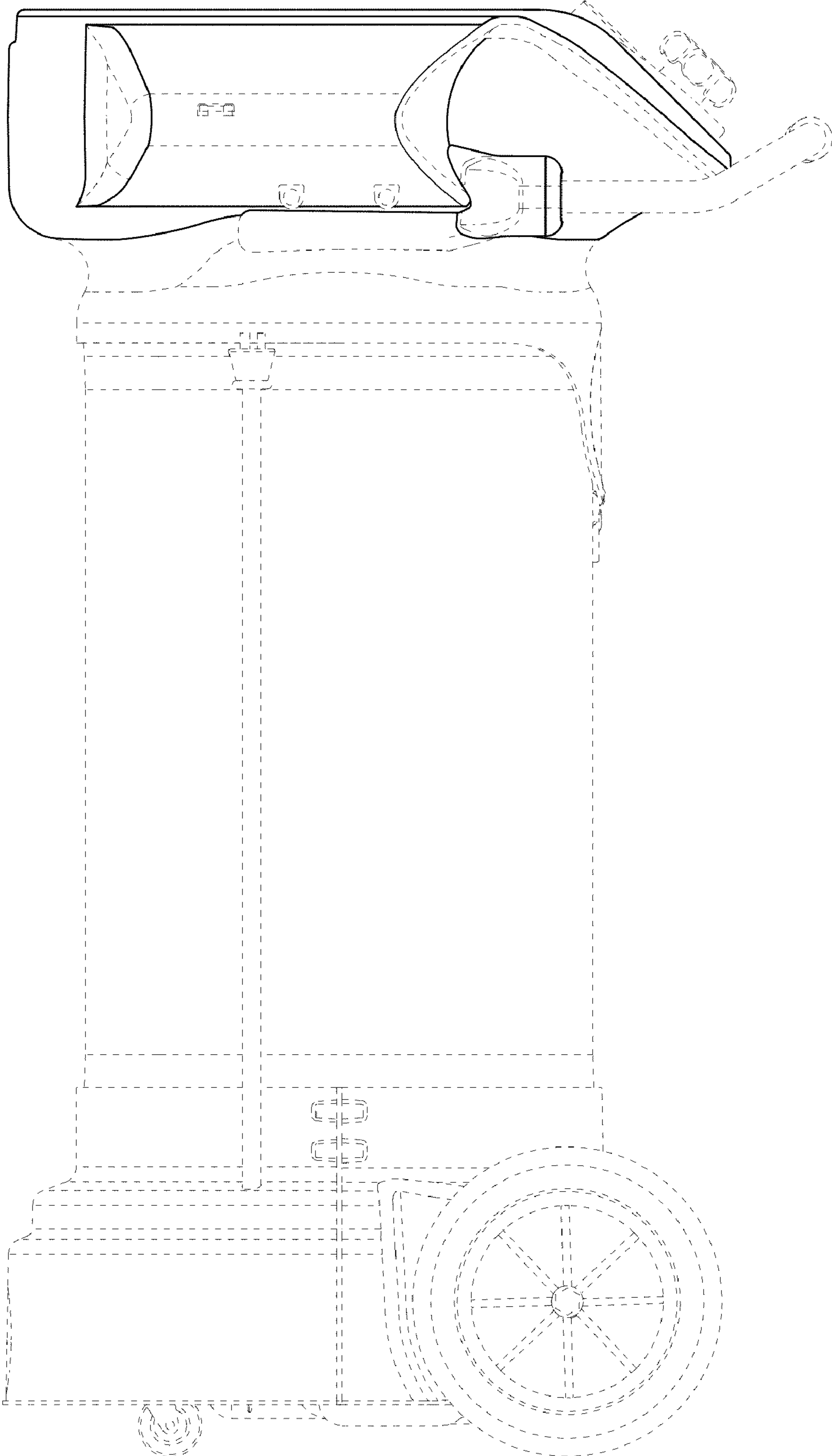


Fig. 5

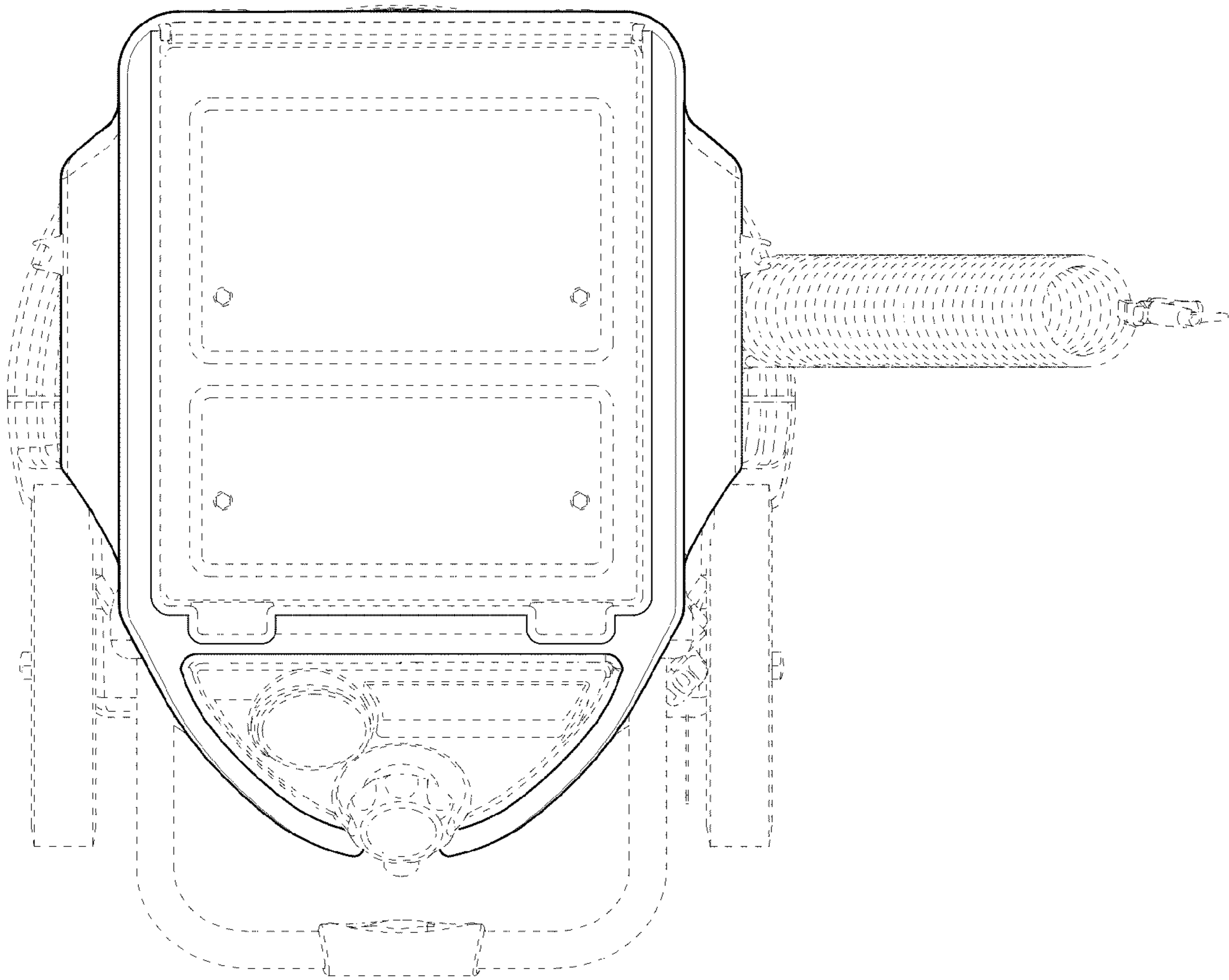


Fig. 6

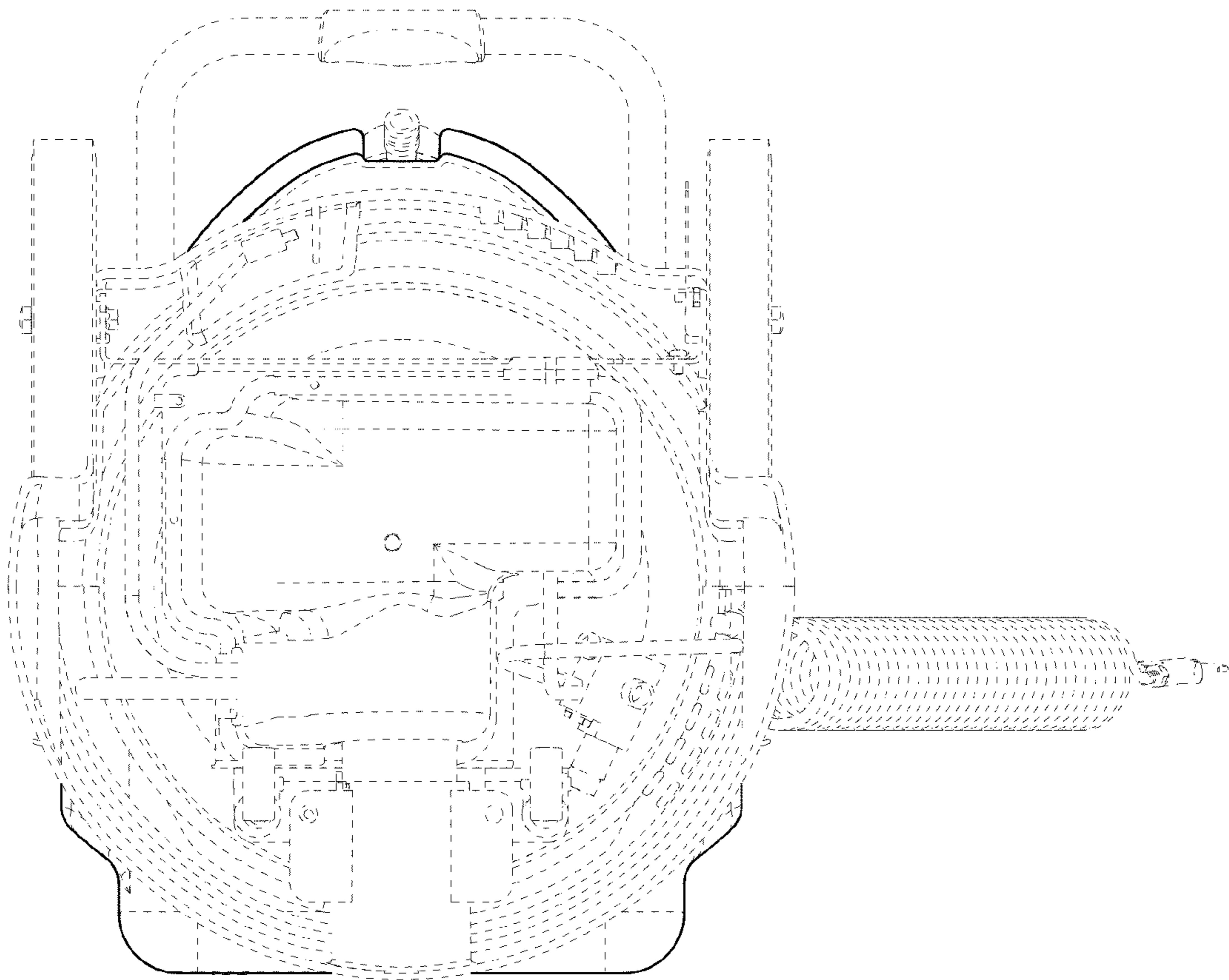


Fig. 7