



US00D637210S

(12) **United States Design Patent**
Wessol et al.

(10) **Patent No.:** **US D637,210 S**

(45) **Date of Patent:** **** May 3, 2011**

(54) **FUEL PUMP**

(75) Inventors: **Shawn D. Wessol**, Parkville, MO (US);
Jared J. Cox, Overland Park, KS (US)

(73) Assignee: **Aeromotive, Inc.**, Lenexa, KS (US)

(**) Term: **14 Years**

(21) Appl. No.: **29/363,495**

(22) Filed: **Jun. 10, 2010**

(51) **LOC (9) Cl.** **15-02**

(52) **U.S. Cl.** **D15/7**

(58) **Field of Classification Search** D15/7-9;
D23/231, 232, 225; 417/60, 235, 265, 321,
417/355, 358, 363, 359, 410.1, 415-416,
417/405, 900; 60/408, 412; 184/26-37;
415/140-147; 123/495, 509

See application file for complete search history.

(56) **References Cited**

U.S. PATENT DOCUMENTS

D401,944 S * 12/1998 Campbell D15/7
D531,643 S * 11/2006 Tischler et al. D15/7

D558,232 S * 12/2007 Wang D15/7
D590,420 S * 4/2009 Casalini D15/7
D623,201 S * 9/2010 Yu D15/7

* cited by examiner

Primary Examiner — Ralf Seifert

(74) *Attorney, Agent, or Firm* — Erickson, Kernell,
Derousseau & Kleypas, LLC

(57) **CLAIM**

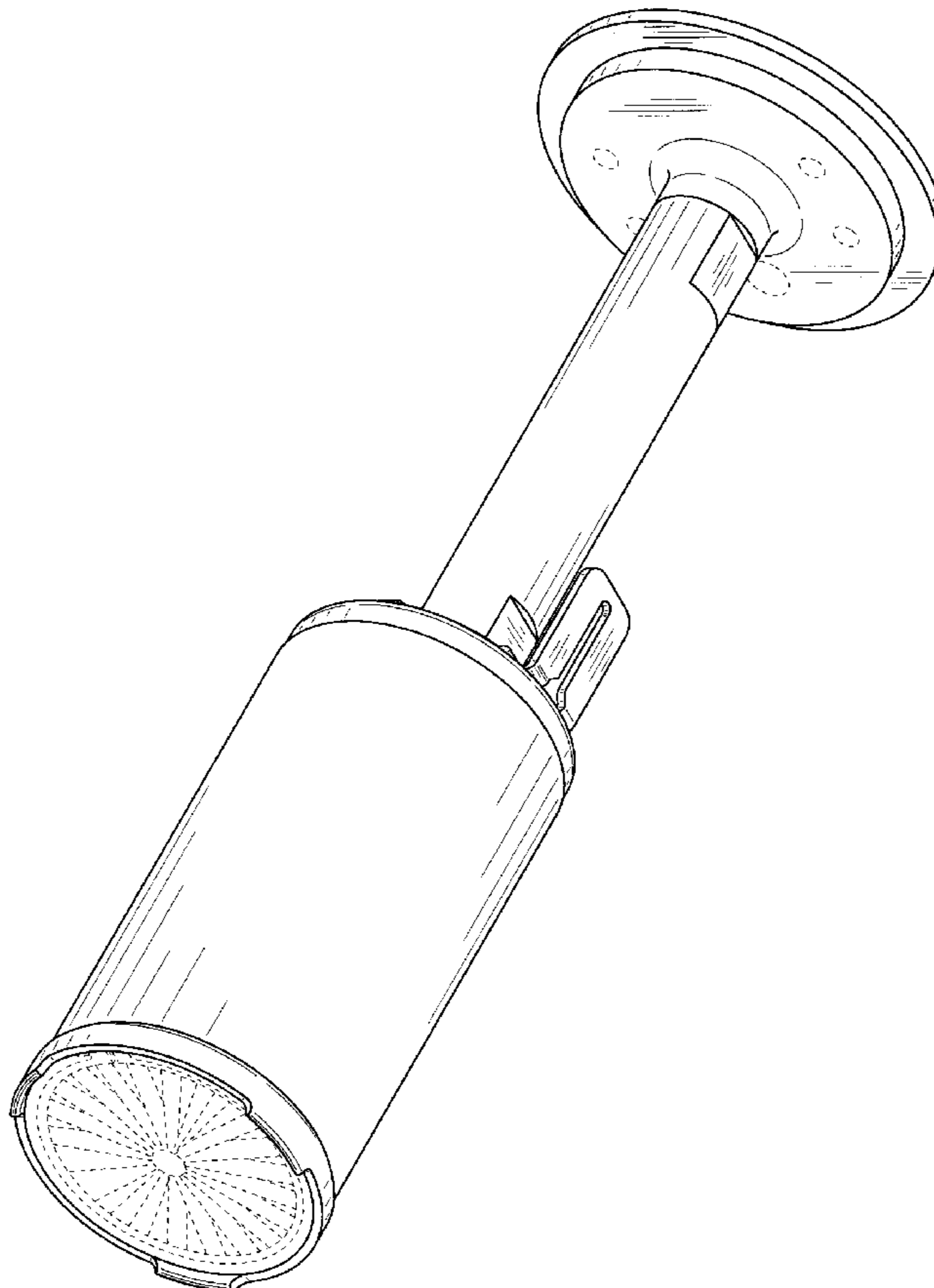
The ornamental design for a fuel pump, as shown and described.

DESCRIPTION

FIG. 1 is a perspective view of a fuel pump according to the present invention, taken from a lower front angle; FIG. 2 is a front elevational view thereof; FIG. 3 is a rear elevational view thereof; FIG. 4 is a right side elevational view thereof; FIG. 5 is a left side elevational view thereof; FIG. 6 is a top plan view thereof; and, FIG. 7 is a bottom plan view thereof.

The broken lines in FIGS. 1, 3, 6 and 7 are included for the purpose of illustrating portions of the fuel pump that form no part of the claimed design.

1 Claim, 4 Drawing Sheets



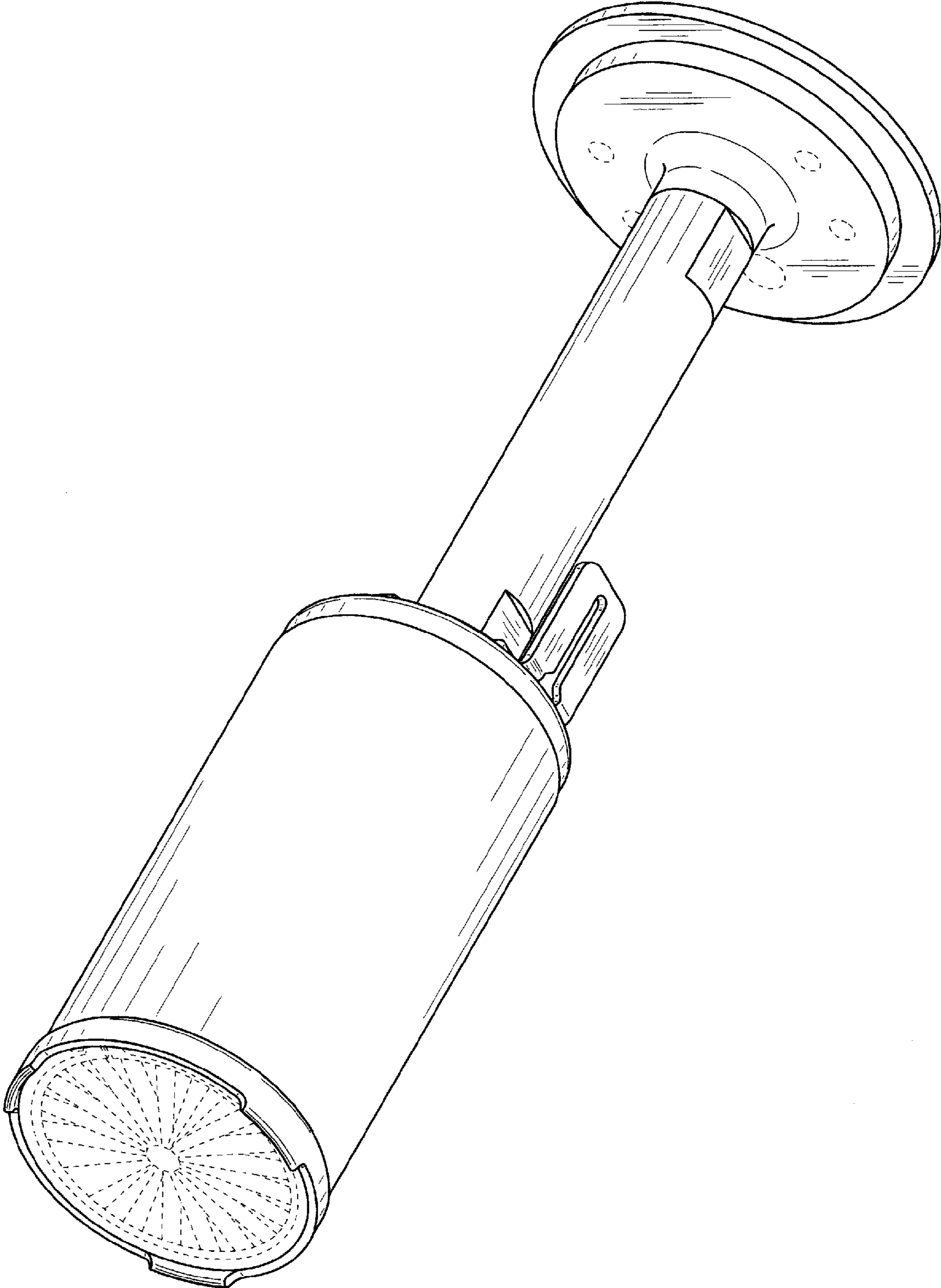


FIG. 1

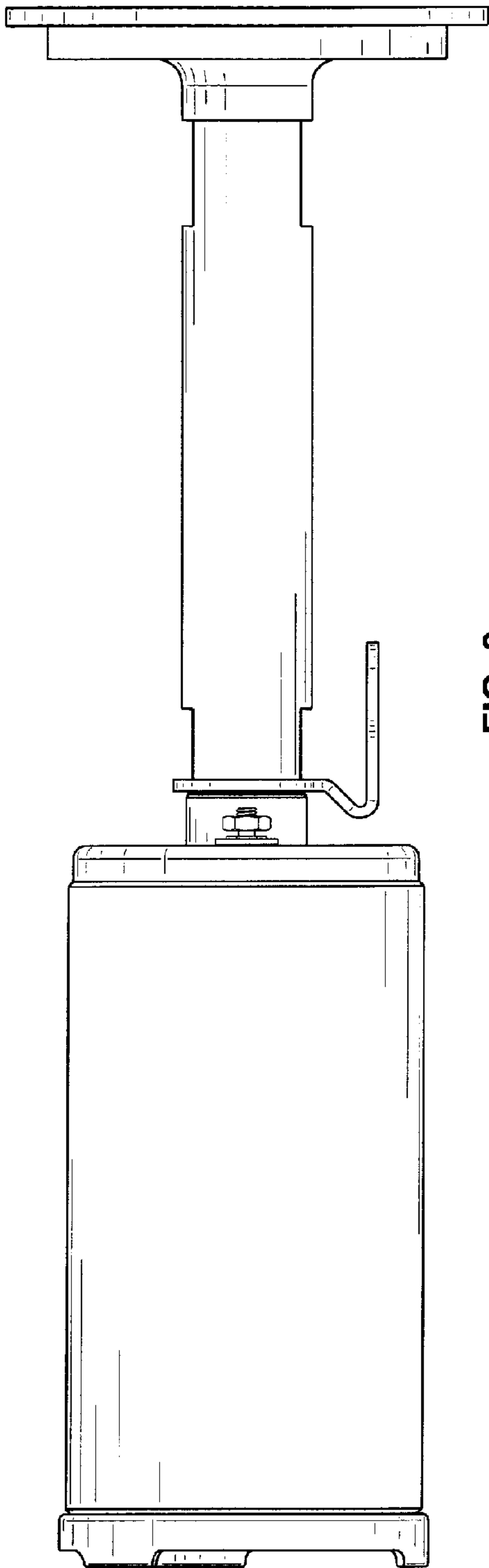


FIG. 2

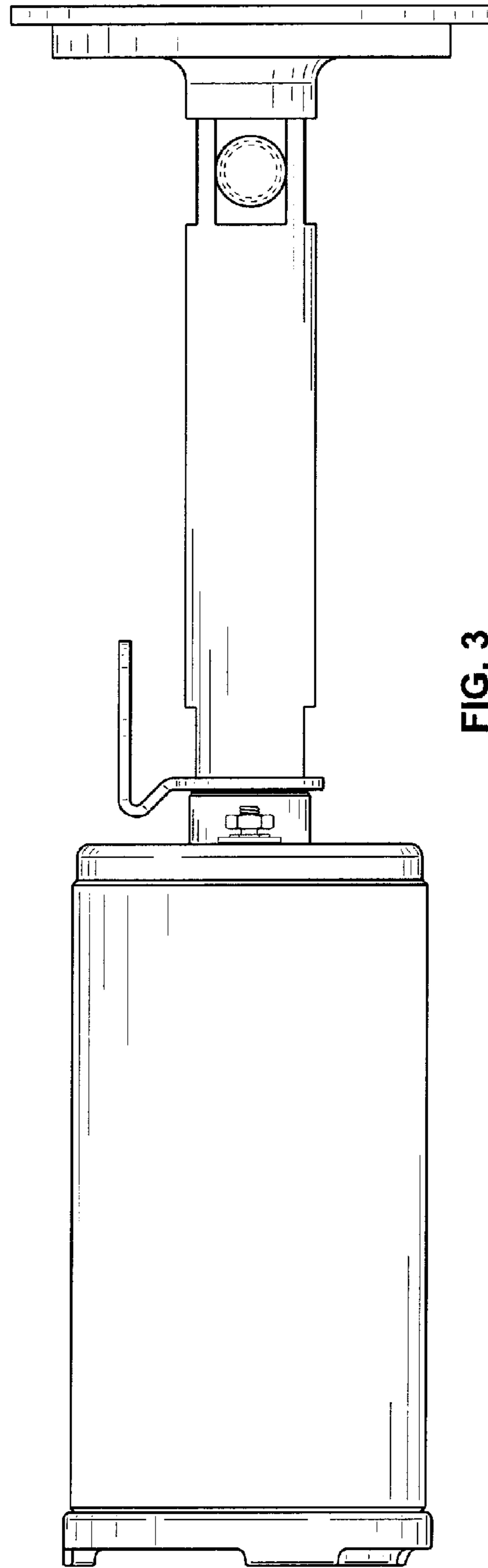


FIG. 3

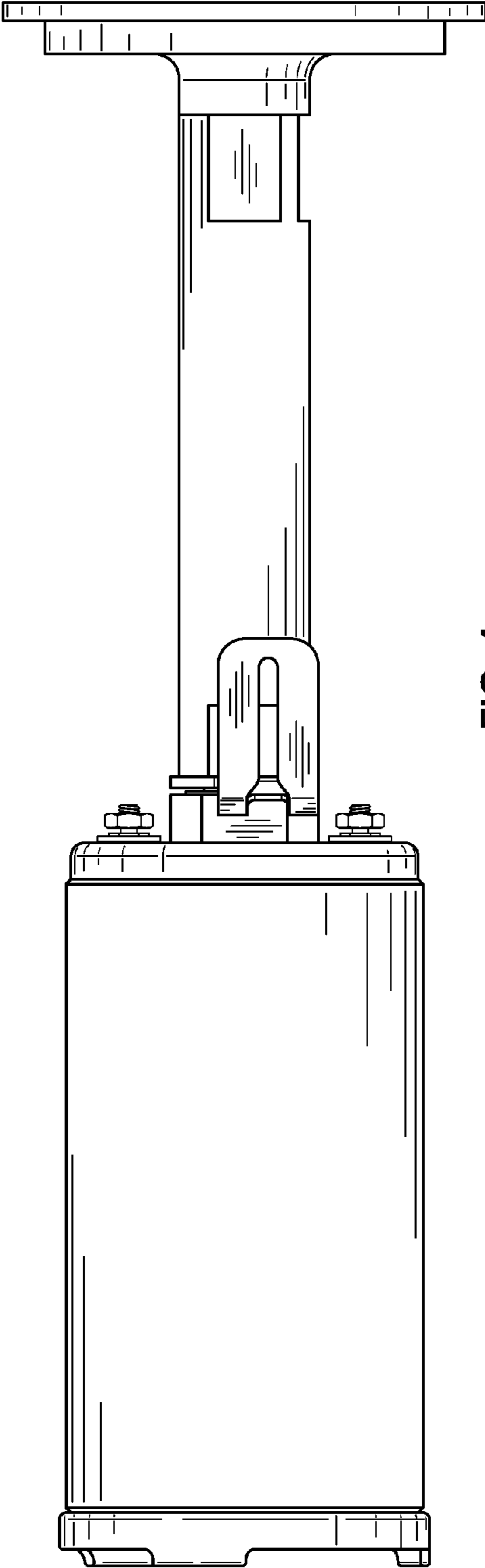


FIG. 4

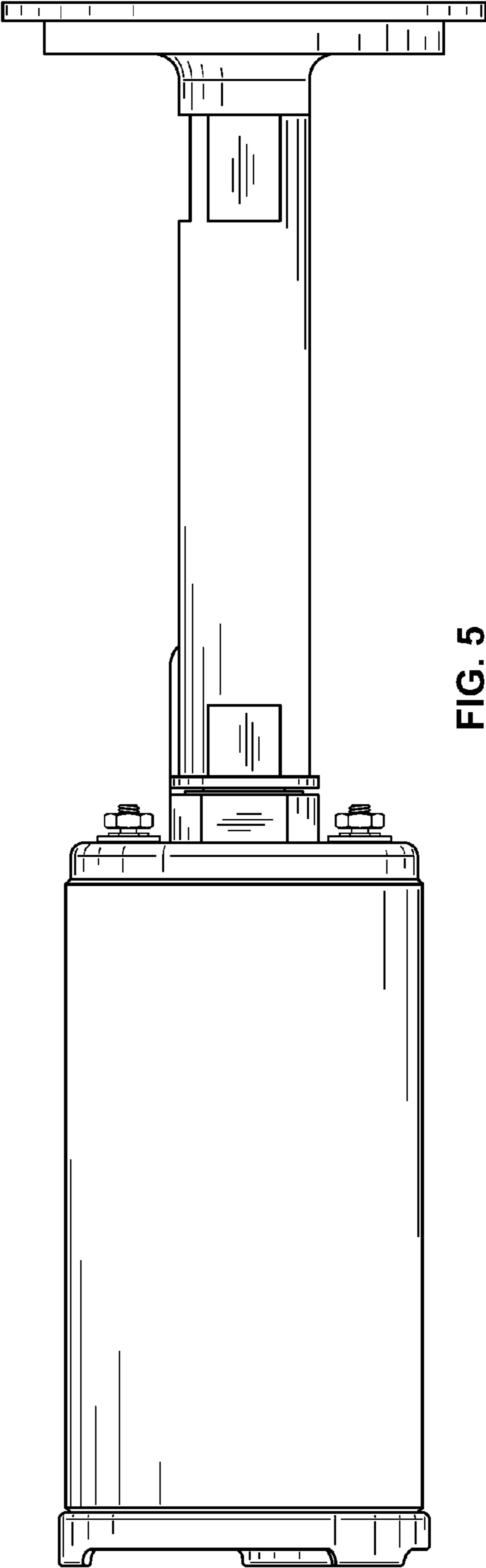


FIG. 5

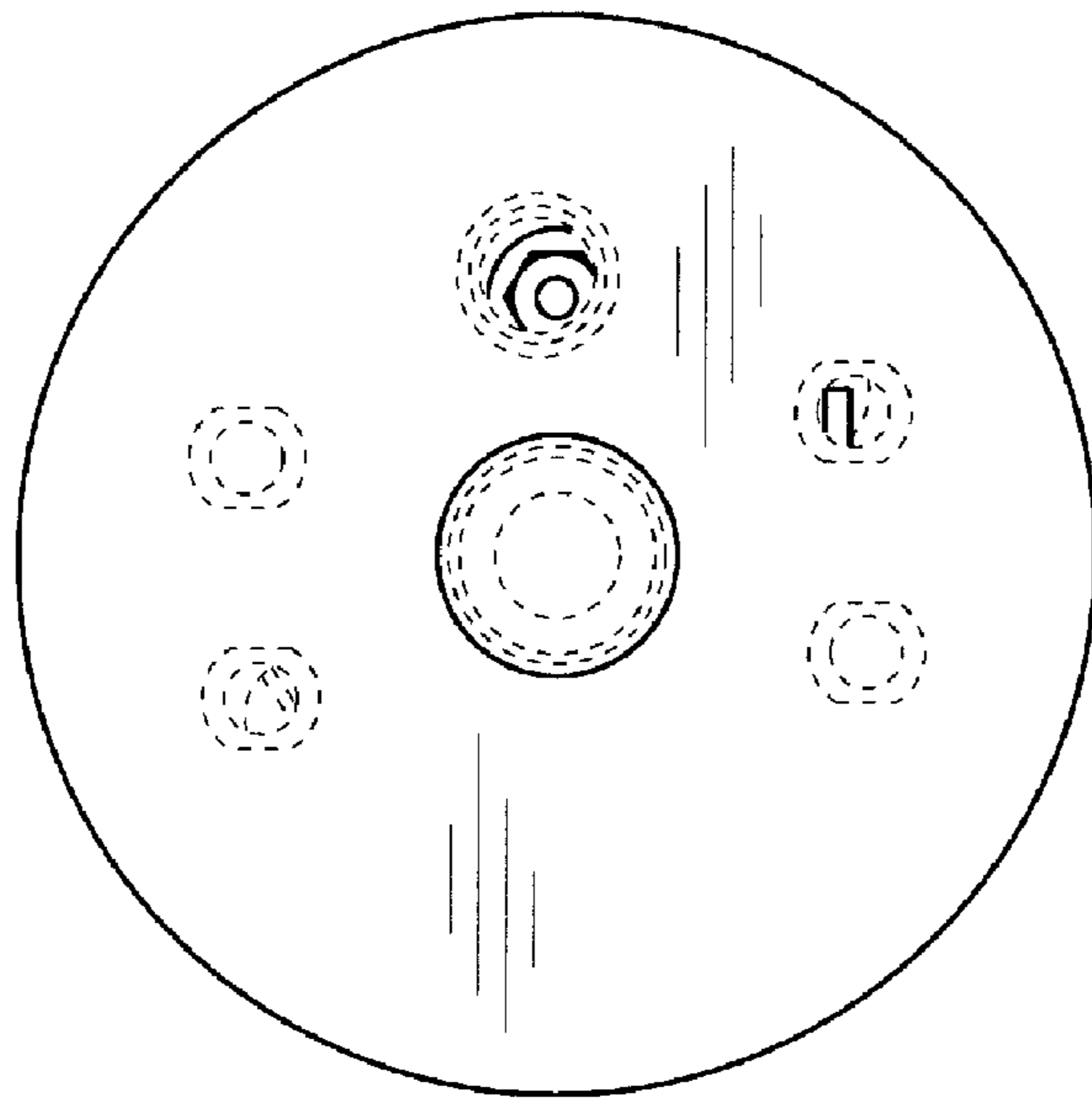


FIG. 6

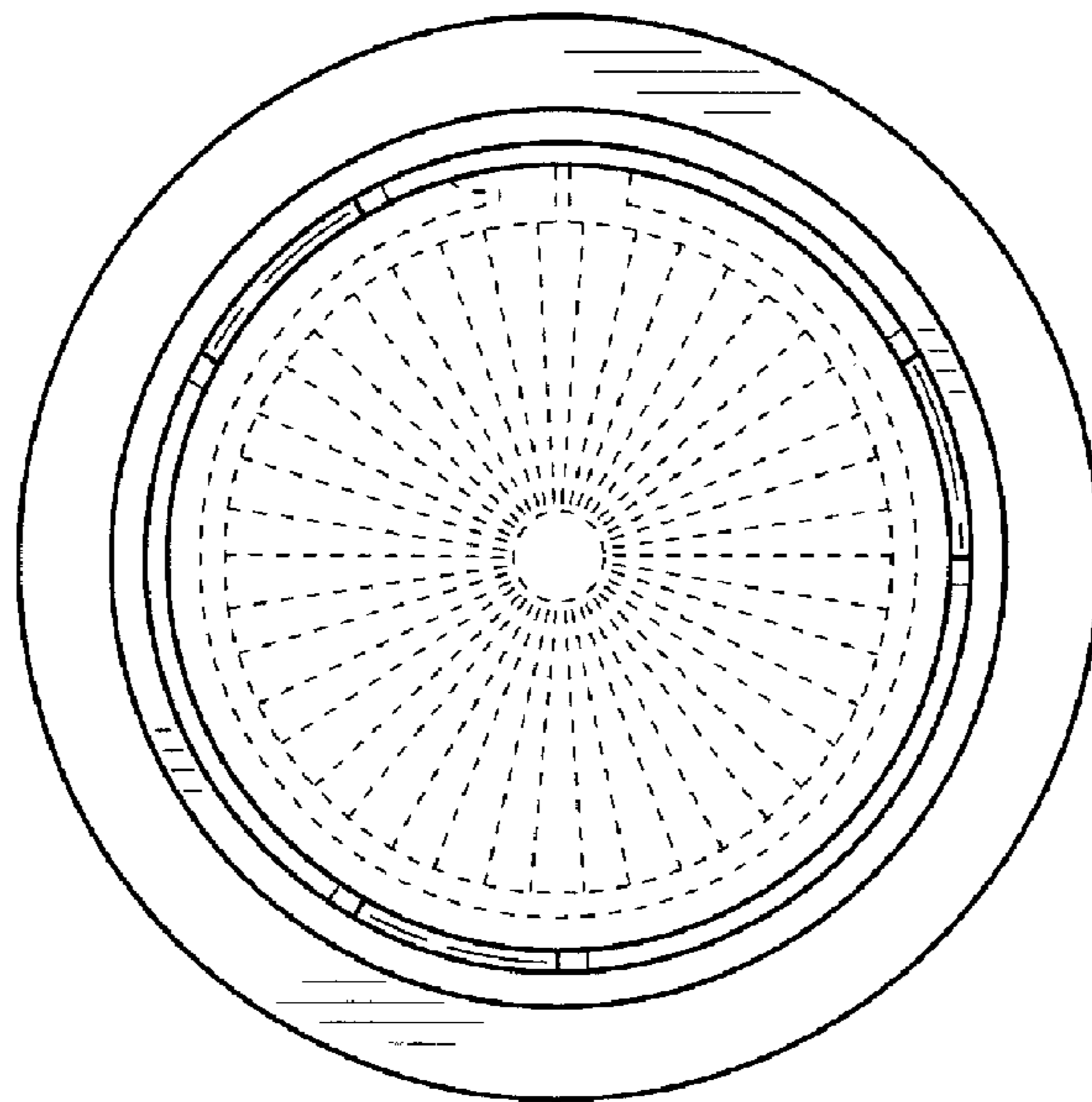


FIG. 7