



US00D637209S

(12) **United States Design Patent**  
**Wessol**

(10) **Patent No.:** **US D637,209 S**

(45) **Date of Patent:** **\*\* May 3, 2011**

(54) **FUEL PUMP**

(75) Inventor: **Shawn D. Wessol**, Parkville, MO (US)

(73) Assignee: **Aeromotive, Inc.**, Lenexa, KS (US)

(\*\*) Term: **14 Years**

(21) Appl. No.: **29/354,125**

(22) Filed: **Jan. 20, 2010**

(51) **LOC (9) Cl.** ..... **15-02**

(52) **U.S. Cl.** ..... **D15/7**

(58) **Field of Classification Search** ..... D15/7-9;  
D23/231, 232, 225; 417/60, 235, 265, 321,  
417/355, 358, 363, 359, 410.1, 415-416,  
417/405, 900; 60/408, 412; 184/26-37;  
415/140-147; 123/495, 509

See application file for complete search history.

(56) **References Cited**

**U.S. PATENT DOCUMENTS**

D401,944 S \* 12/1998 Campbell ..... D15/7  
D531,643 S \* 11/2006 Tischler et al. .... D15/7

D558,232 S \* 12/2007 Wang ..... D15/7  
D590,420 S \* 4/2009 Casalini ..... D15/7  
D623,201 S \* 9/2010 Yu ..... D15/7

\* cited by examiner

*Primary Examiner* — Ralf Seifert

(74) *Attorney, Agent, or Firm* — Erickson, Kernell,  
Derousseau & Kleypas, LLC

(57) **CLAIM**

The ornamental design for a fuel pump, as shown and described.

**DESCRIPTION**

FIG. 1 is a perspective view of a fuel pump according to the present invention;

FIG. 2 is a front elevational view thereof;

FIG. 3 is a rear elevational view thereof;

FIG. 4 is a left side elevational view thereof;

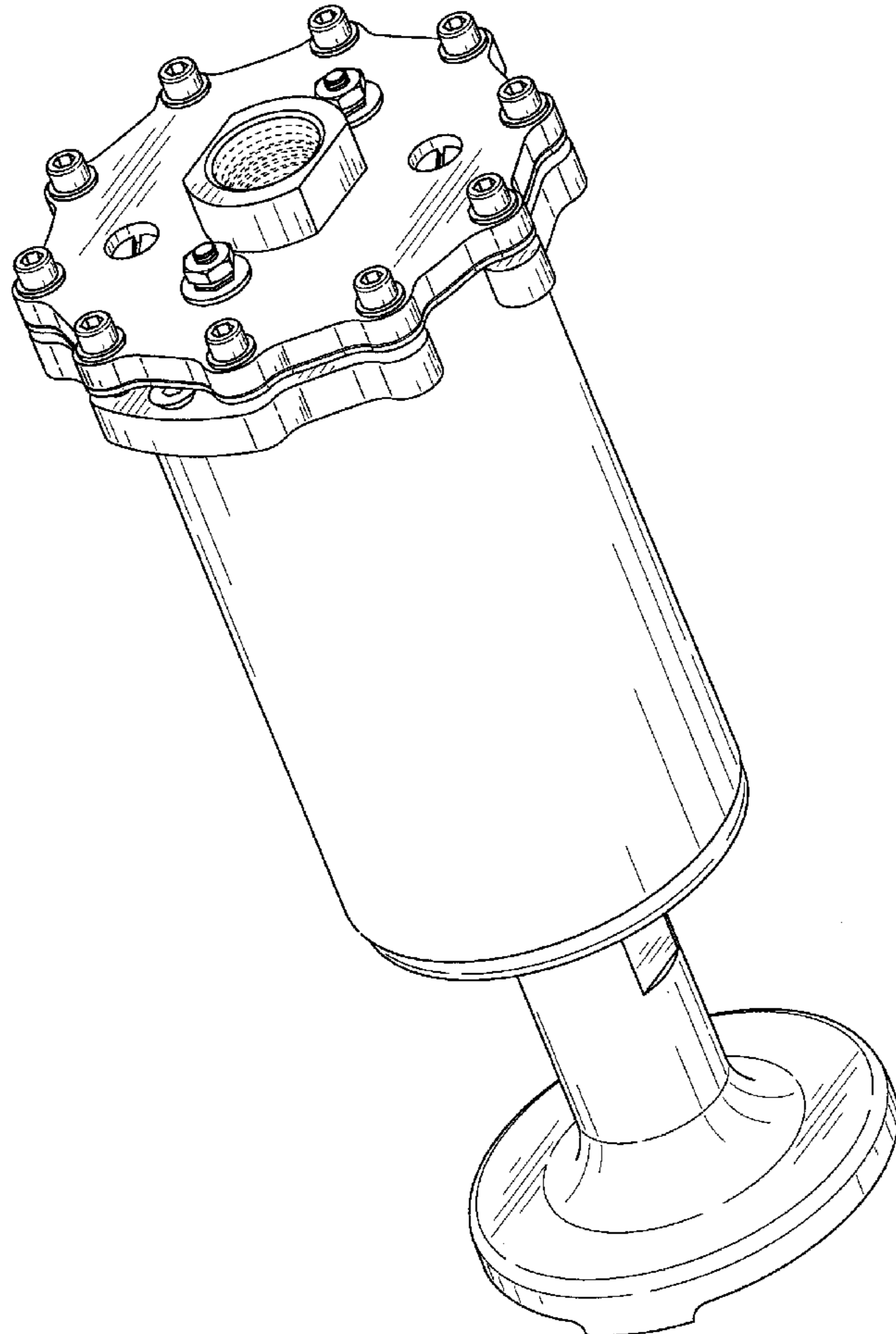
FIG. 5 is a right side elevational view thereof;

FIG. 6 is a top plan view thereof; and,

FIG. 7 is a bottom plan view thereof.

The broken lines in FIGS. 1, 6 and 7 are included for the purpose of illustrating portions of the fuel pump that form no part of the claimed design.

**1 Claim, 6 Drawing Sheets**



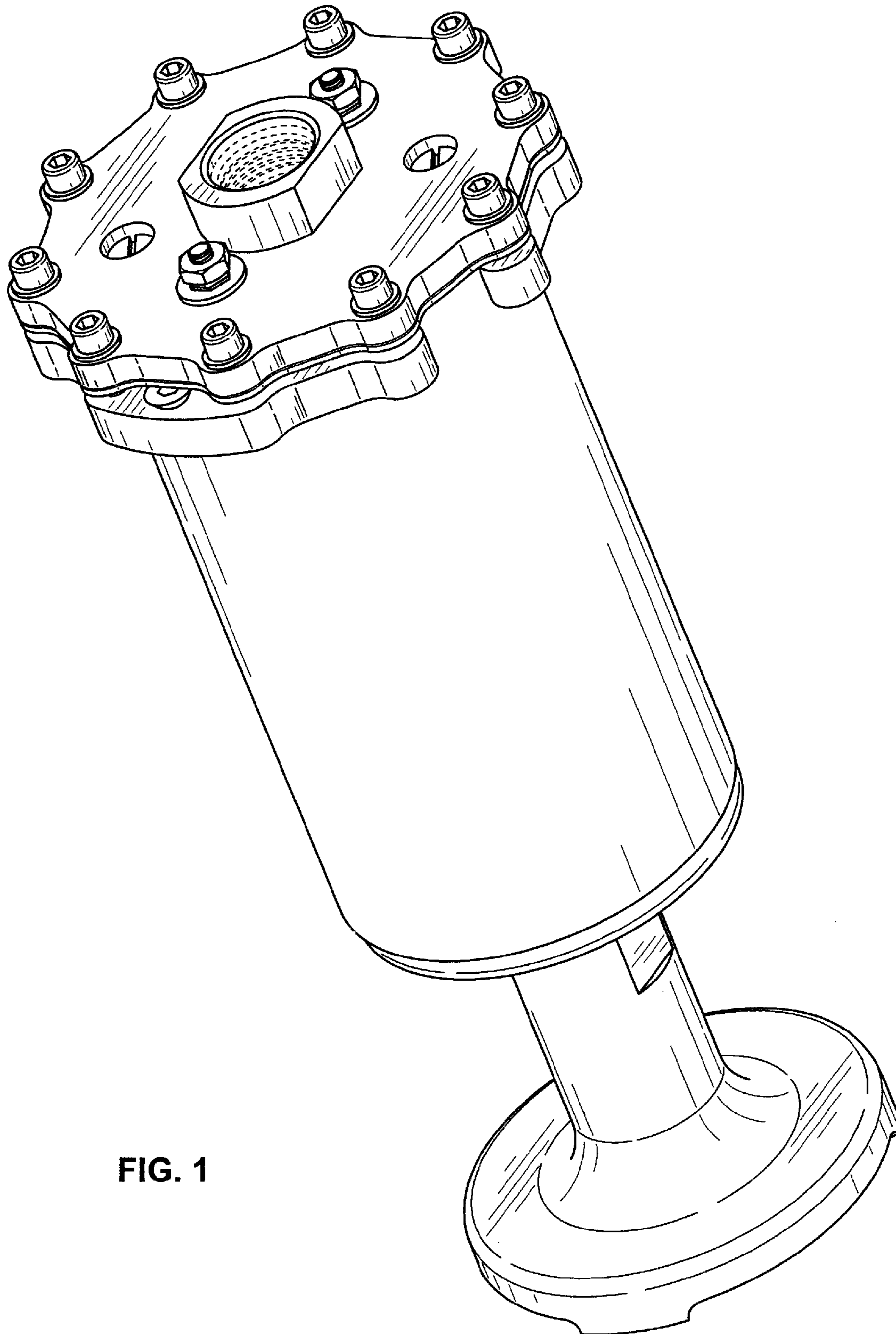


FIG. 1

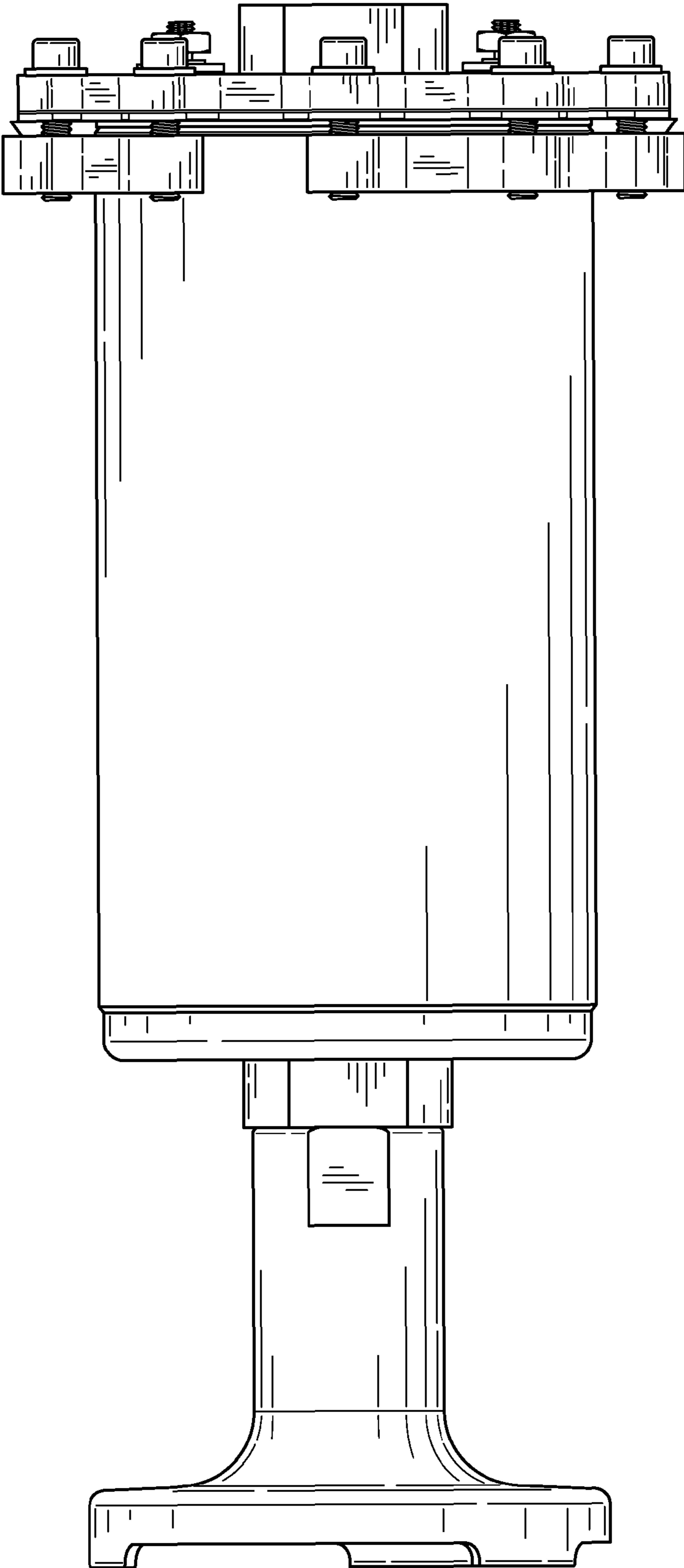


FIG. 2

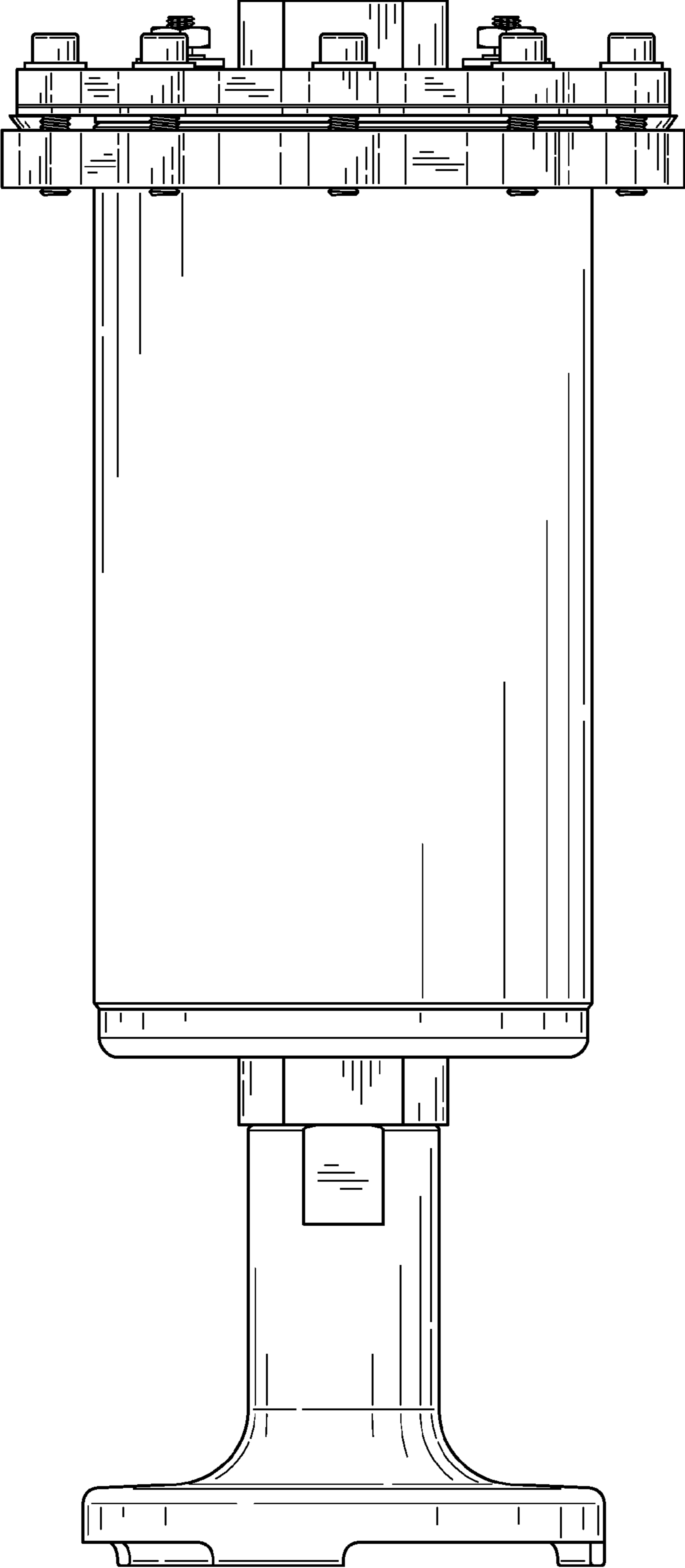


FIG. 3

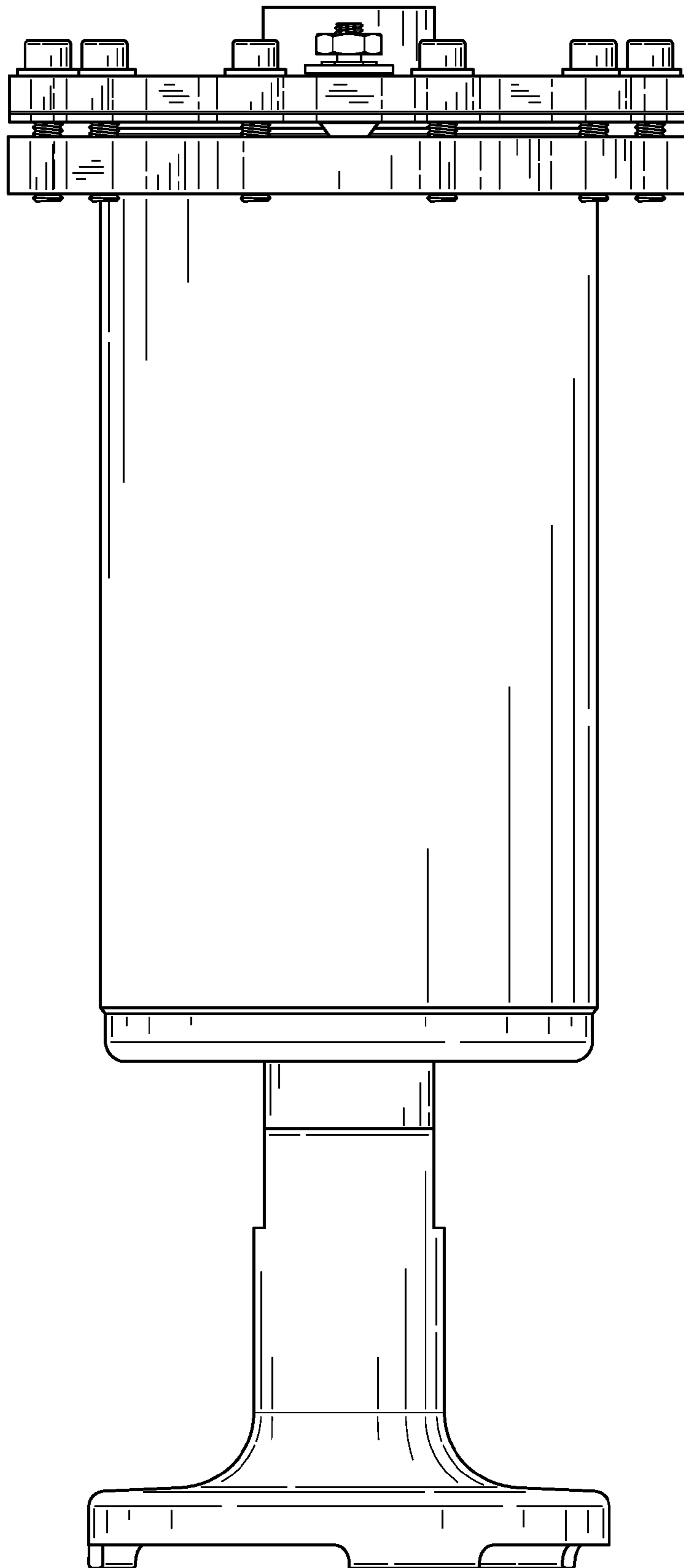


FIG. 4

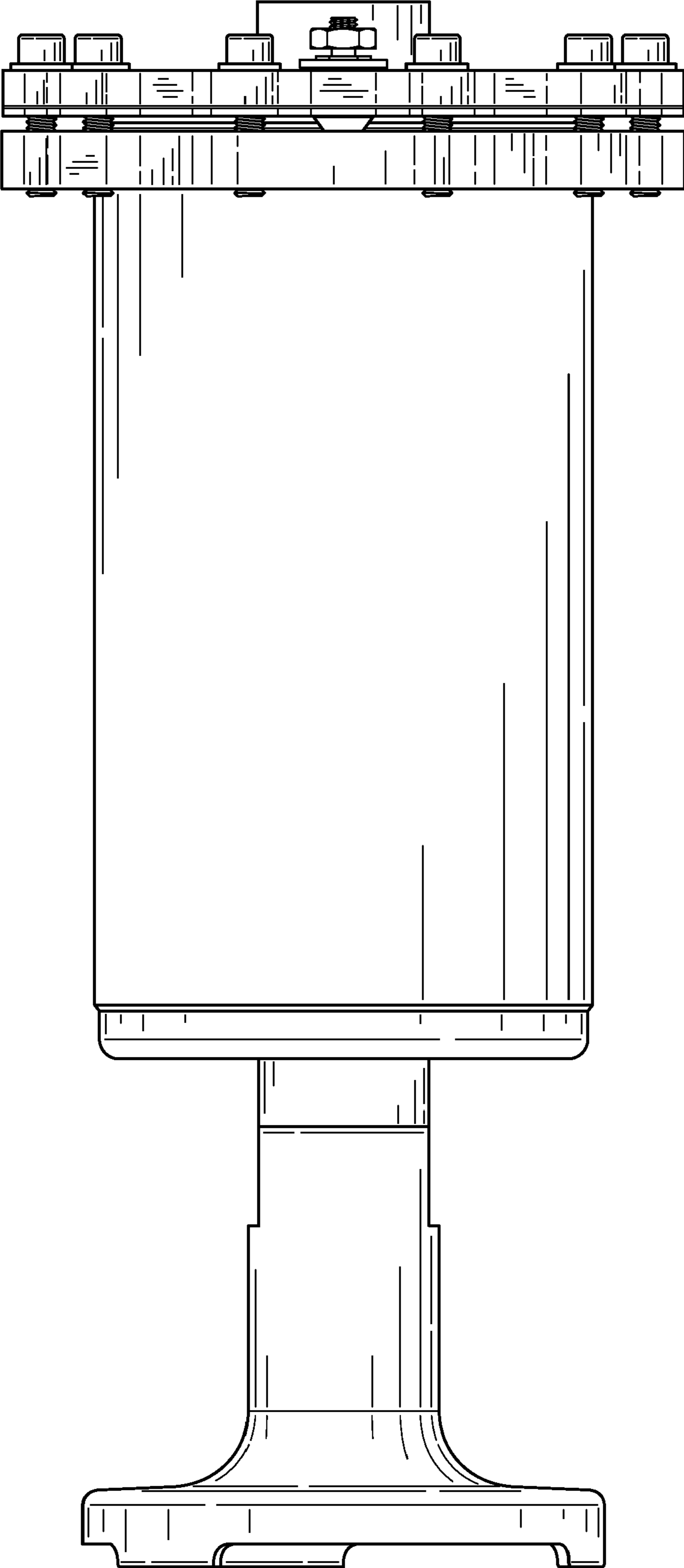


FIG. 5

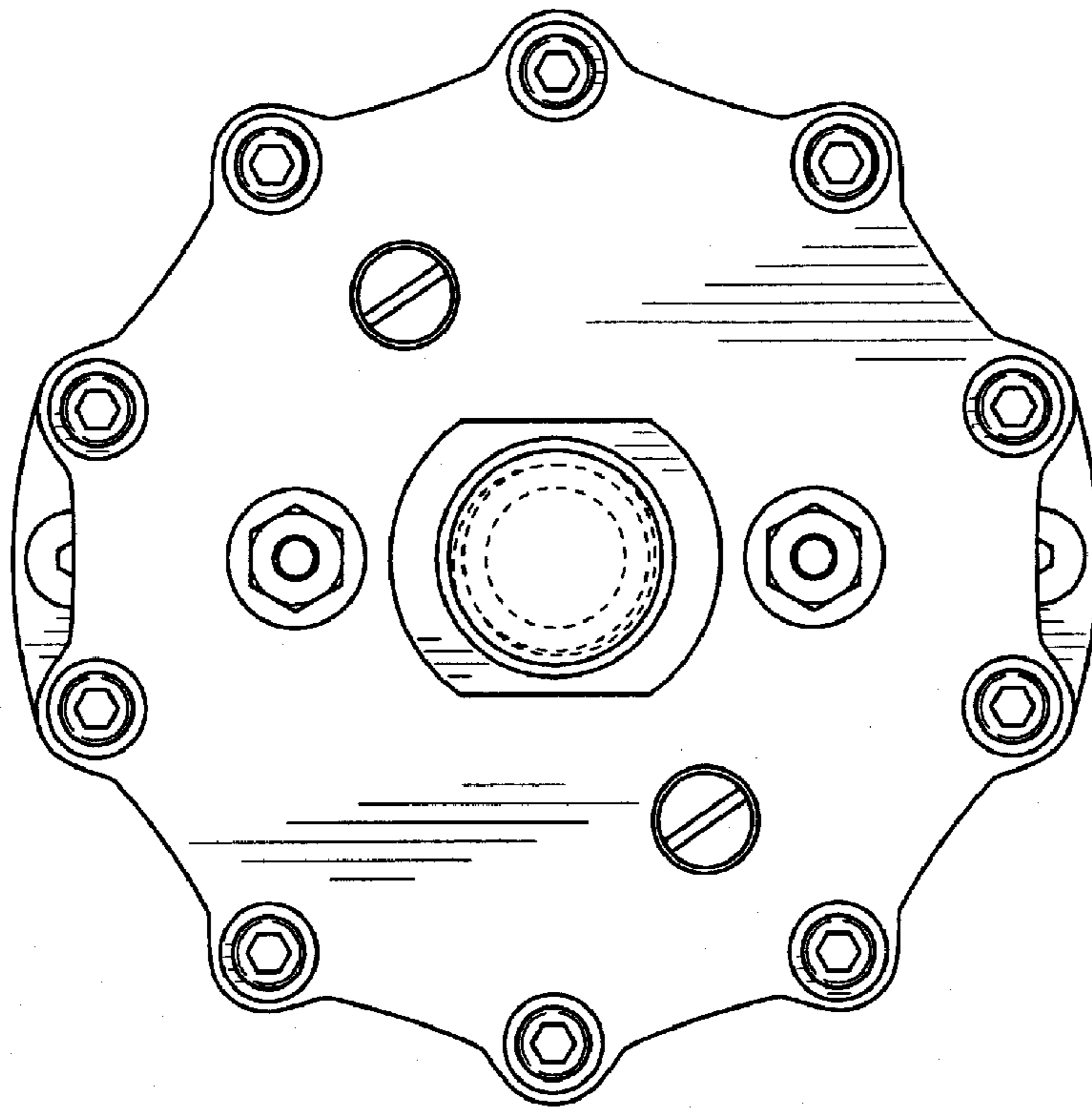


FIG. 6

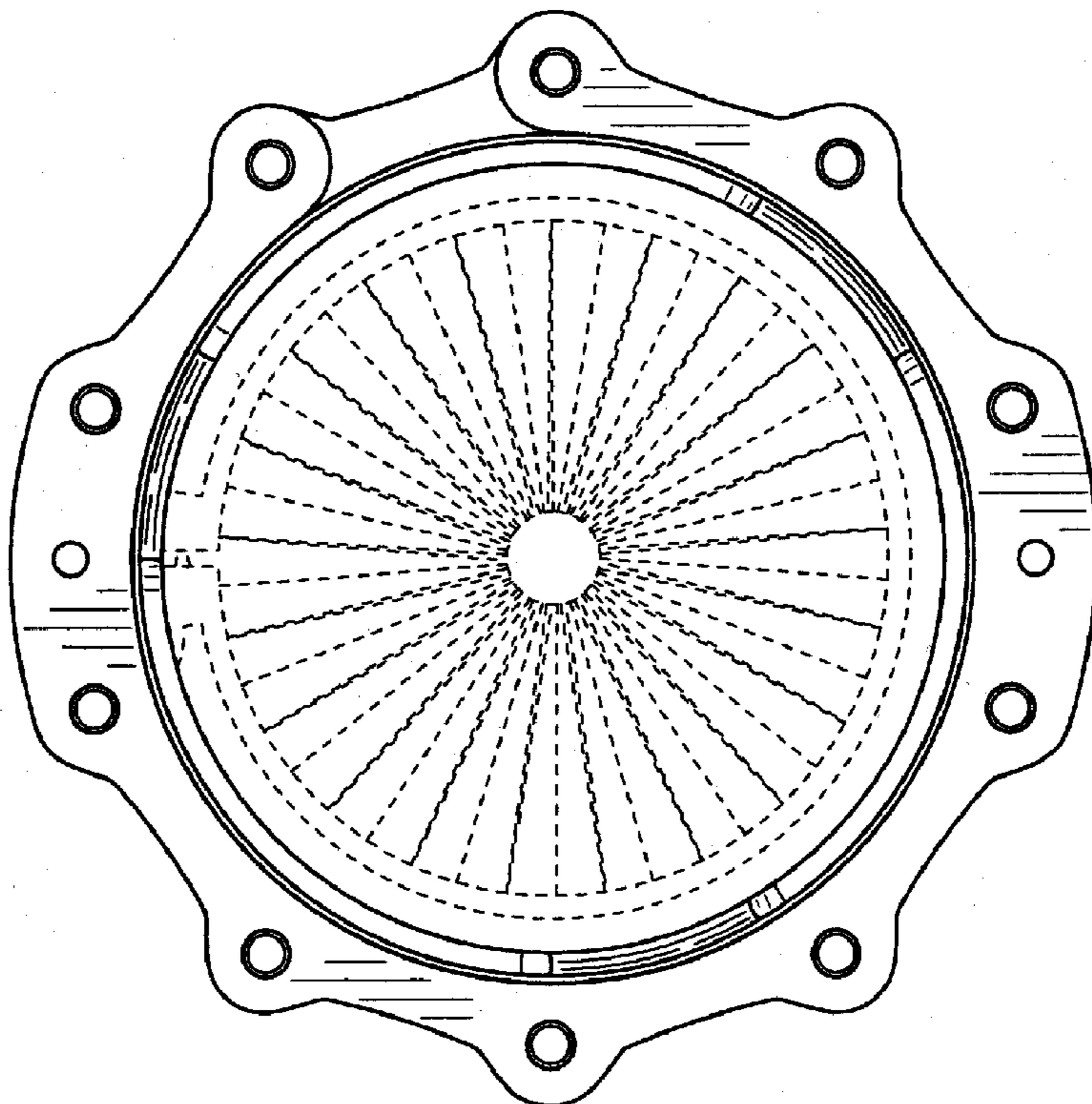


FIG. 7