



US00D637208S

(12) **United States Design Patent**
Zauner et al.

(10) **Patent No.:** **US D637,208 S**
(45) **Date of Patent:** **** May 3, 2011**

(54) **AIRLIFT PUMP**

(75) Inventors: **Peter Zauner**, Faulconbridge (AU);
Fufang Zha, West Ryde (AU); **Roger**
William Phelps, Kings Langley (AU);
Tomasz Swiatek, Baulkham Hills (AU)

(73) Assignee: **Siemens Water Technologies Corp.**,
Warrendale, PA (US)

(**) Term: **14 Years**

(21) Appl. No.: **29/335,279**

(22) Filed: **Apr. 13, 2009**

(30) **Foreign Application Priority Data**

Oct. 14, 2008 (AU) 14915/2008

(51) **LOC (9) Cl.** **15-02**

(52) **U.S. Cl.** **D15/7**

(58) **Field of Classification Search** D15/7-9;
D23/231, 232, 225; 417/410.1, 359, 415-416,
417/234, 321, 265, 405

See application file for complete search history.

(56) **References Cited**

U.S. PATENT DOCUMENTS

D273,383 S * 4/1984 Griggs, Jr. D15/7
D550,715 S * 9/2007 Davidson et al. D15/7
D608,796 S * 1/2010 Miller et al. D15/7

* cited by examiner

Primary Examiner — Ralf Seifert

(57) **CLAIM**

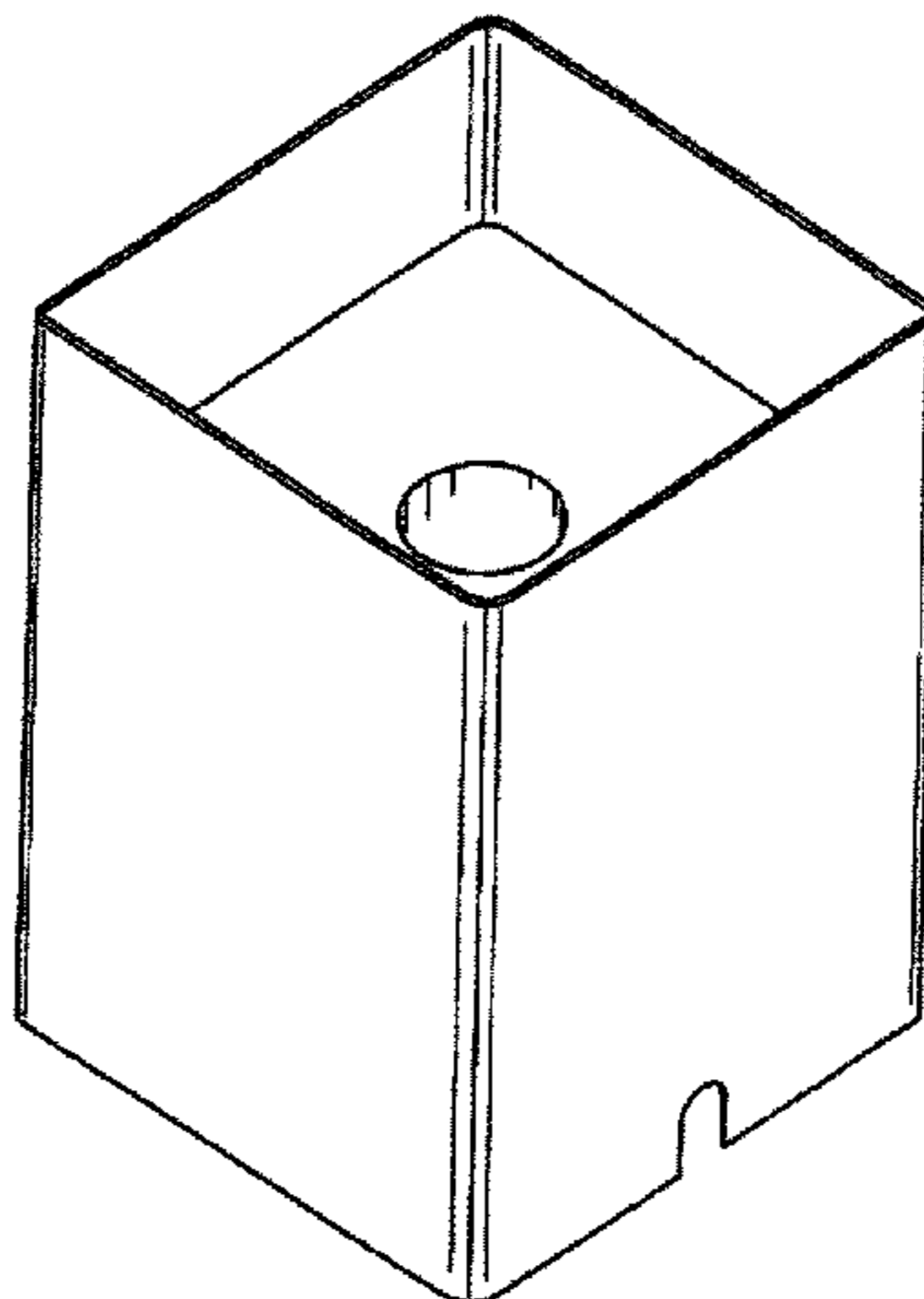
The ornamental design for an airlift pump, as shown and described.

DESCRIPTION

FIG. 1 is a front perspective view of an airlift pump showing our new design;

FIG. 2 is a rear perspective view thereof;
FIG. 3 is a bottom perspective view thereof;
FIG. 4 is a top view thereof;
FIG. 5 is a bottom view thereof;
FIG. 6 is a side view thereof;
FIG. 7 is a side view which is opposite that of FIG. 6;
FIG. 8 is a front view thereof;
FIG. 9 is a rear view thereof;
FIG. 10 is a front perspective view of an airlift pump showing a second embodiment of our new design;
FIG. 11 is a rear perspective view of FIG. 10;
FIG. 12 is a bottom perspective view of FIG. 10;
FIG. 14 is a bottom view of FIG. 10;
FIG. 15 is a side view of FIG. 10;
FIG. 16 is a side view which is opposite that of FIG. 15;
FIG. 17 is a front view of FIG. 10;
FIG. 18 is a rear view of FIG. 10;
FIG. 19 is a front perspective view of an airlift pump showing a third embodiment of our new design;
FIG. 20 is a rear perspective view of FIG. 19;
FIG. 21 is a bottom perspective view of FIG. 19;
FIG. 22 is a top view of FIG. 19;
FIG. 23 is a bottom view of FIG. 19;
FIG. 24 is a side view of FIG. 19;
FIG. 25 is a side view which is opposite that of FIG. 24;
FIG. 26 is a front view of FIG. 19;
FIG. 27 is a rear view of FIG. 19;
FIG. 28 is a front perspective view of an airlift pump showing a fourth embodiment of our new design;
FIG. 29 is a rear perspective view of FIG. 28;
FIG. 30 is a bottom perspective view of FIG. 28;
FIG. 31 is a top view of FIG. 28;
FIG. 32 is a bottom view of FIG. 28;
FIG. 33 is a side view of FIG. 28;
FIG. 34 is a side view which is opposite that of FIG. 33;
FIG. 35 is a front view of FIG. 28; and,
FIG. 36 is a rear view of FIG. 28.

1 Claim, 16 Drawing Sheets



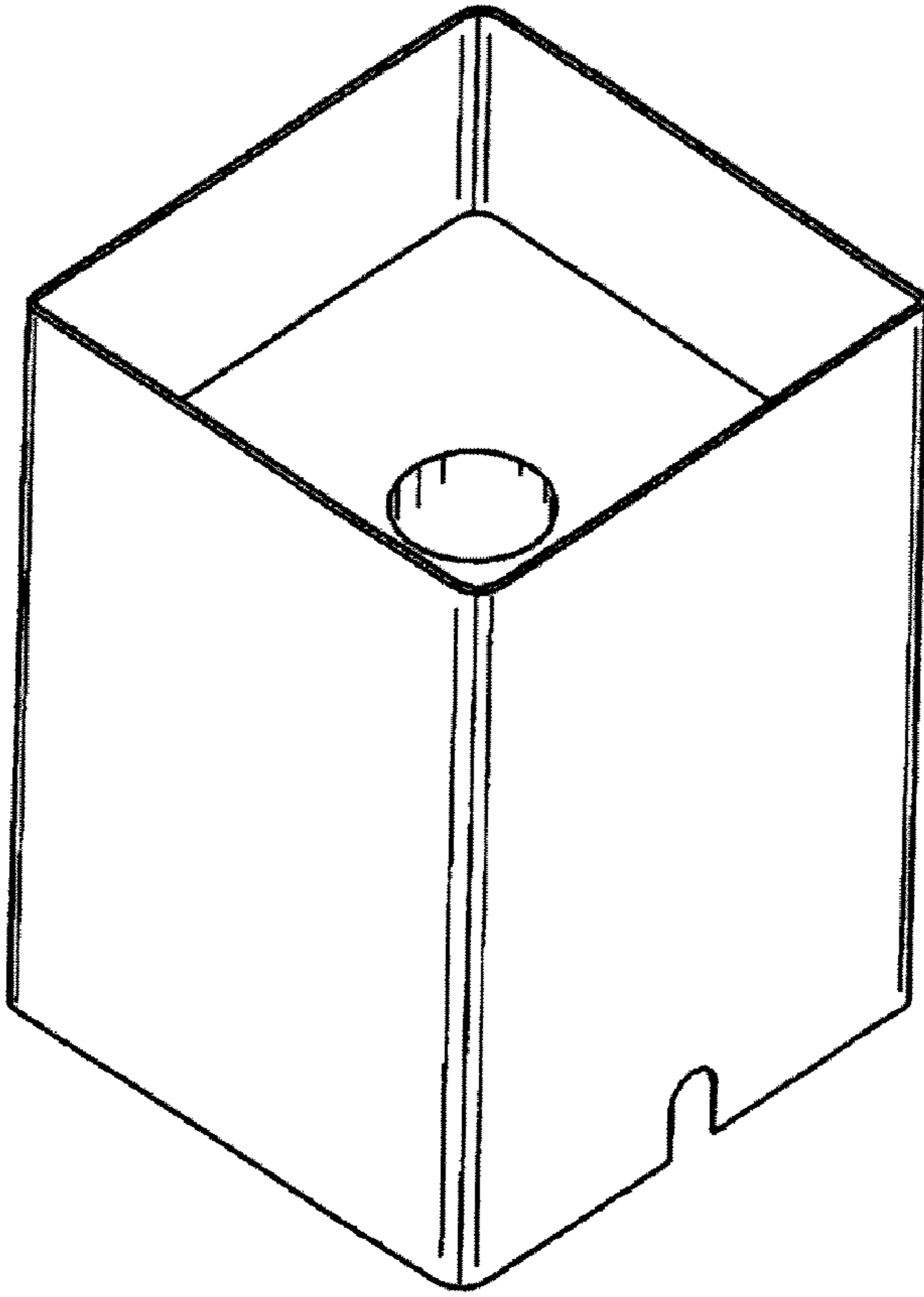


FIG. 1

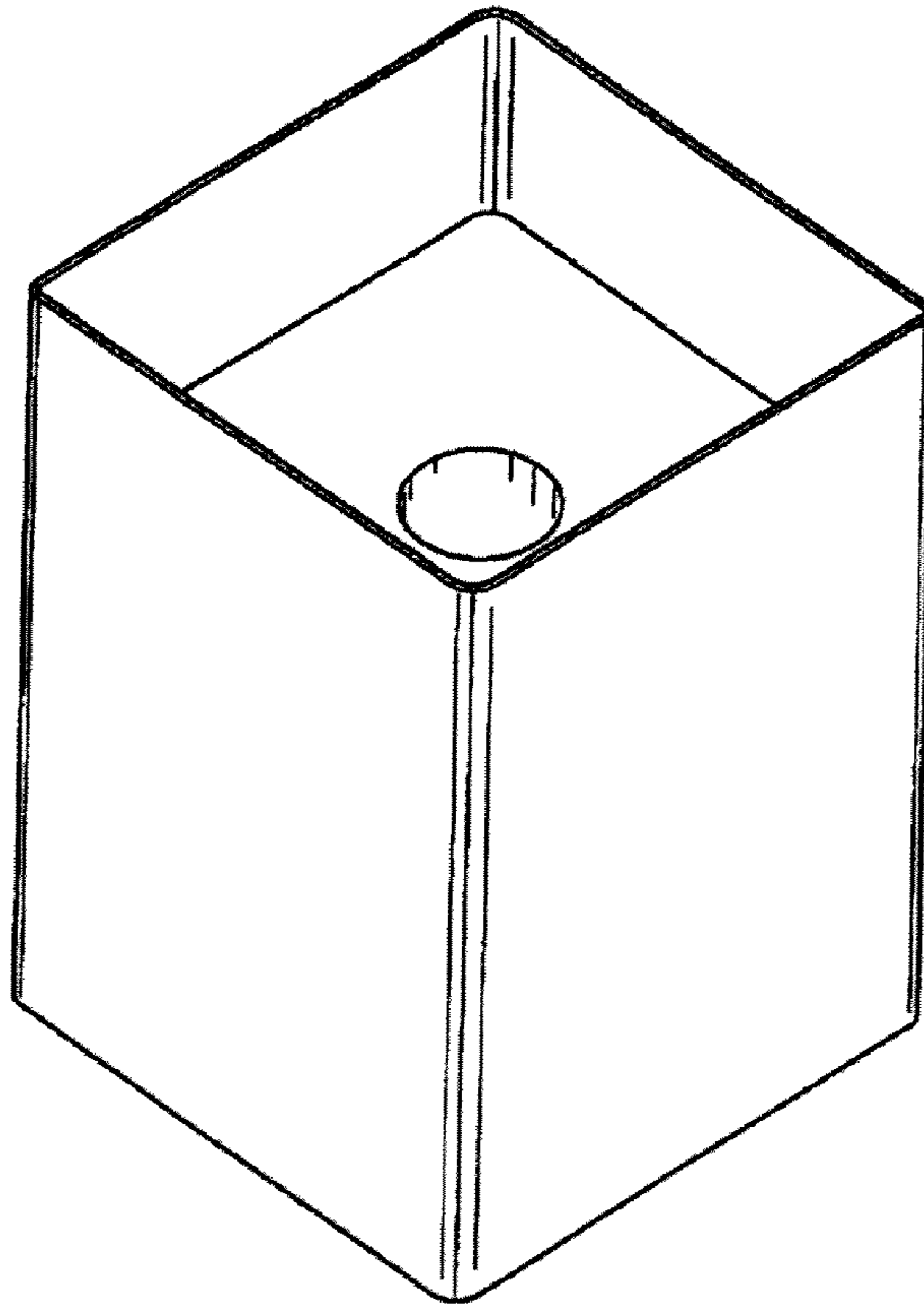


FIG. 2

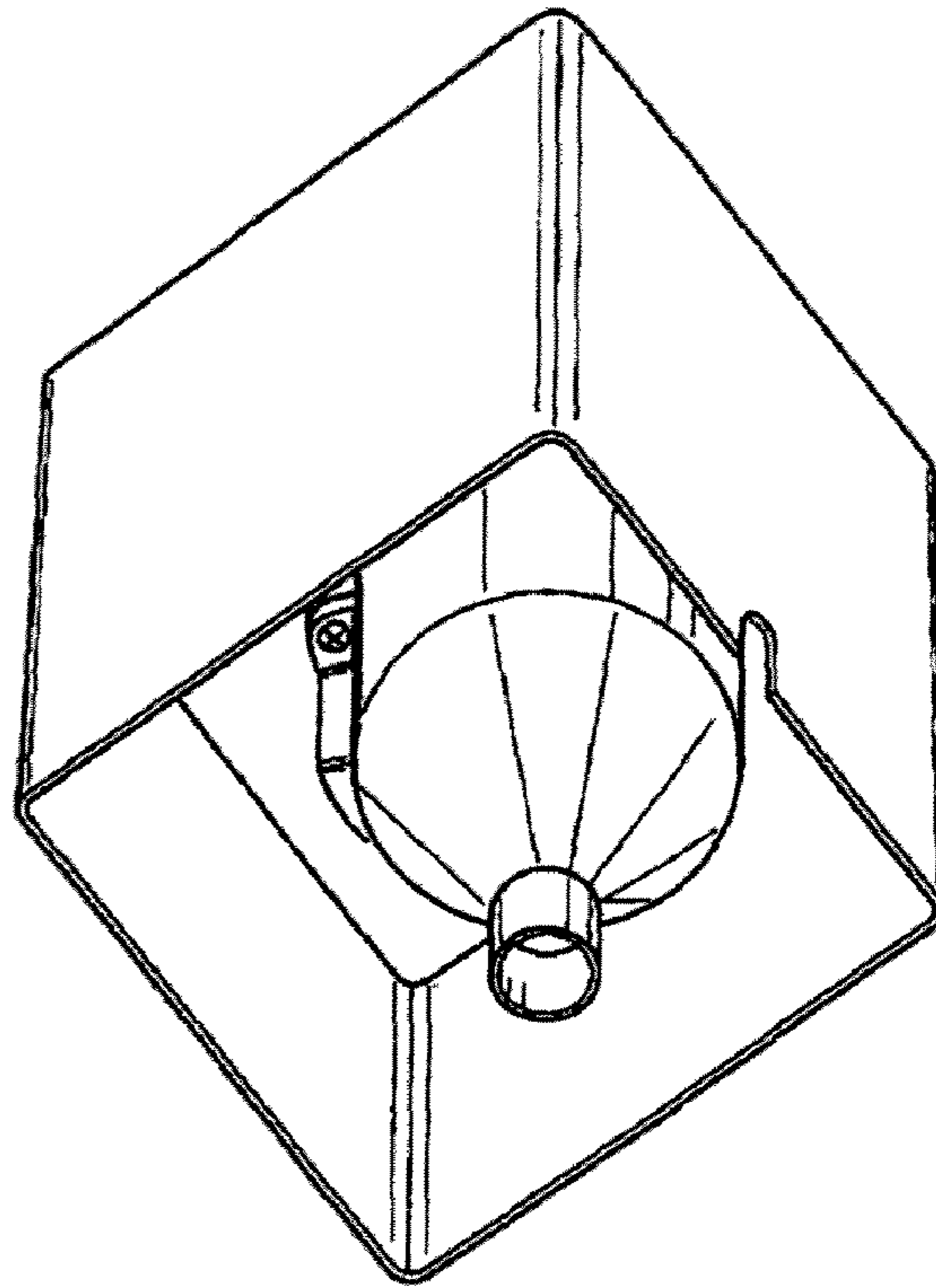


FIG. 3

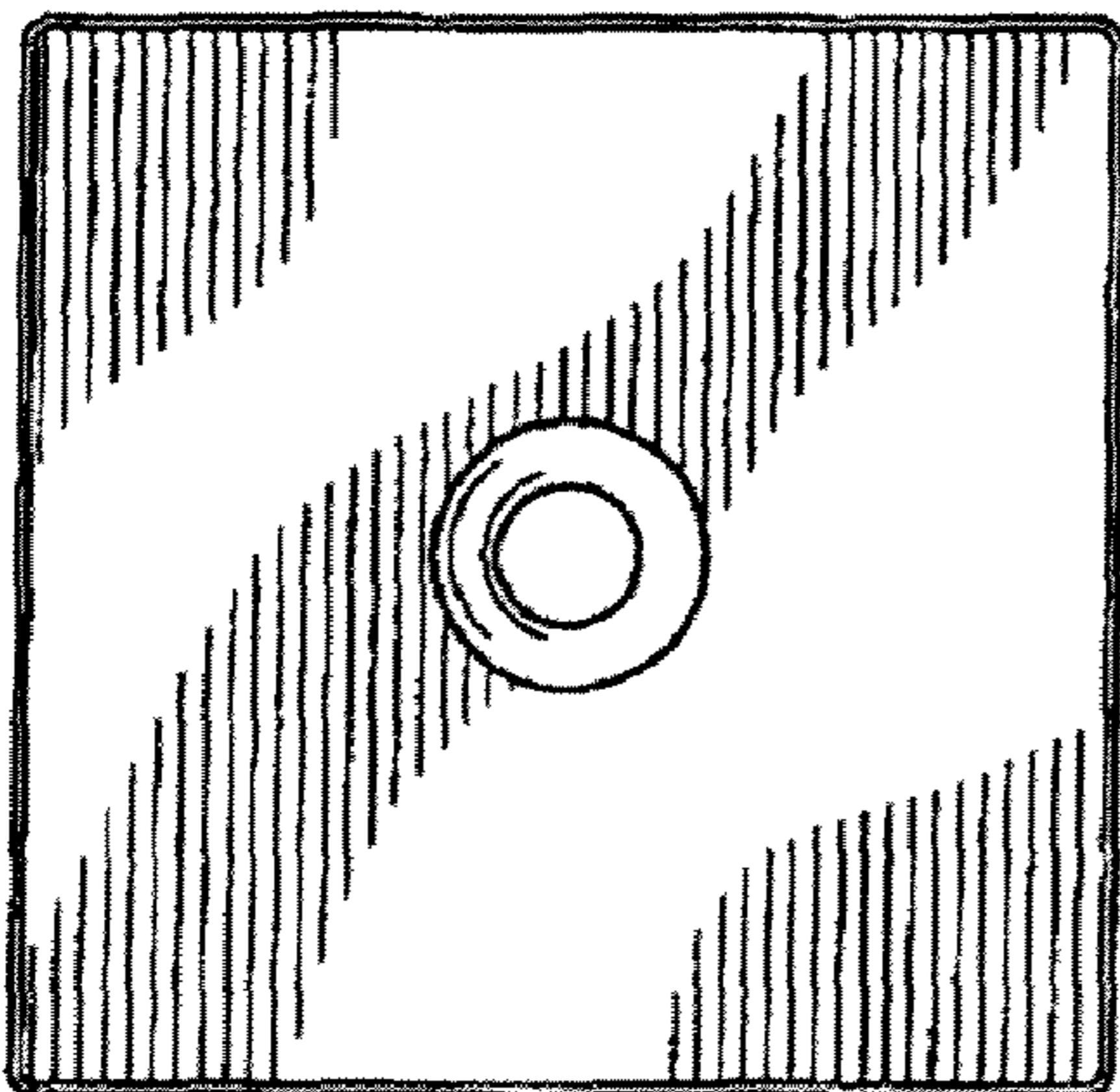


FIG. 4

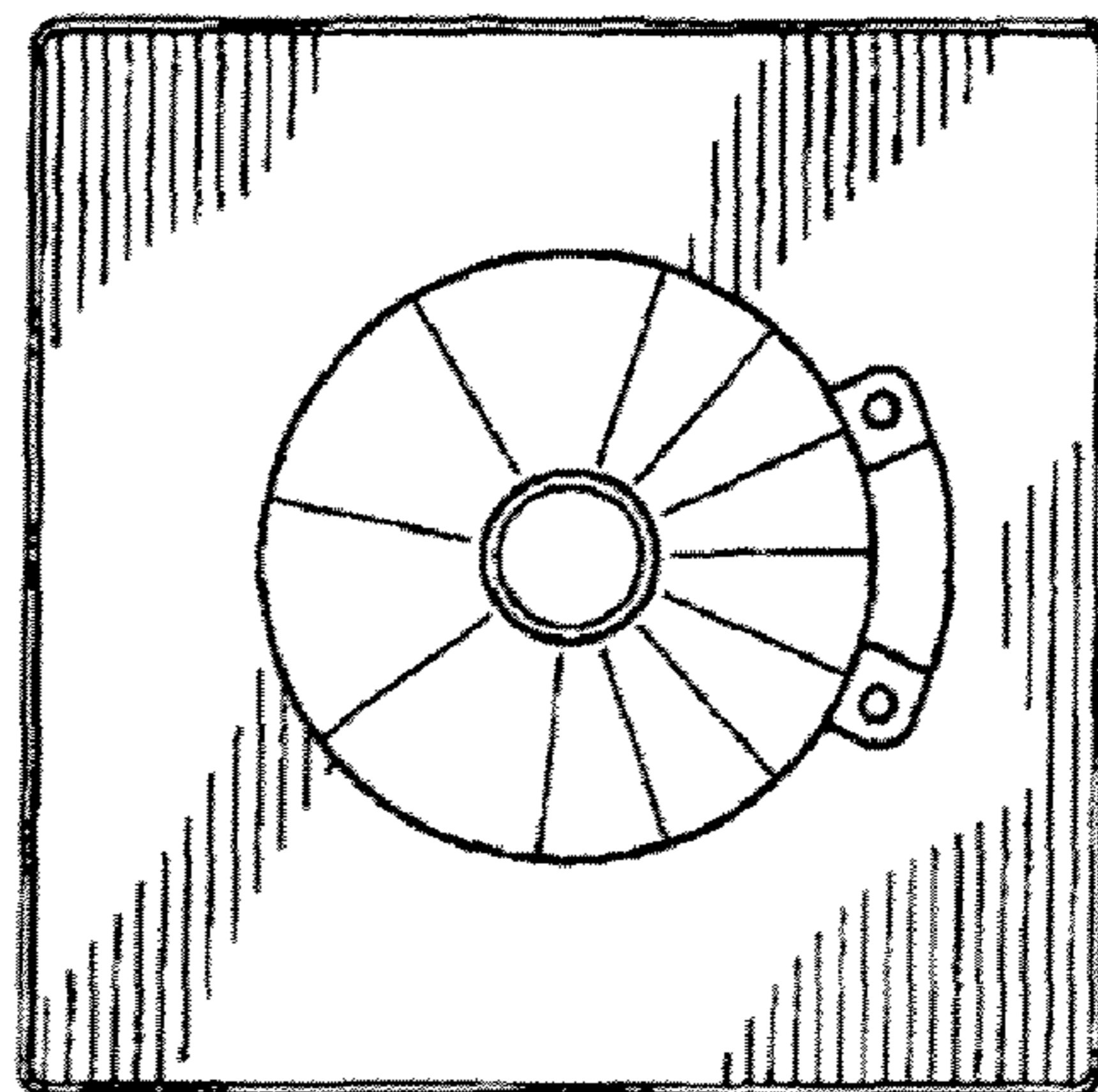


FIG. 5

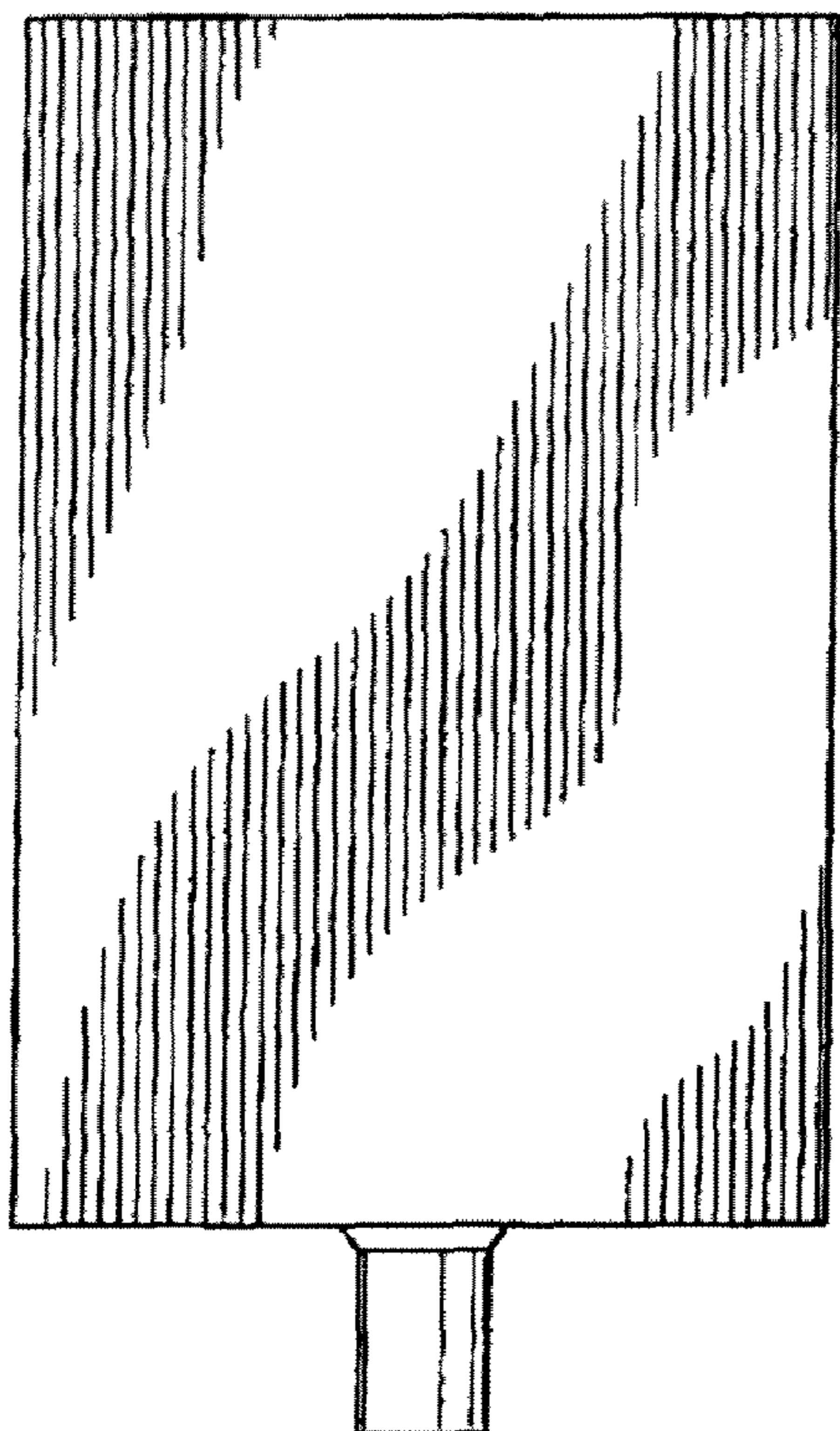


FIG. 6

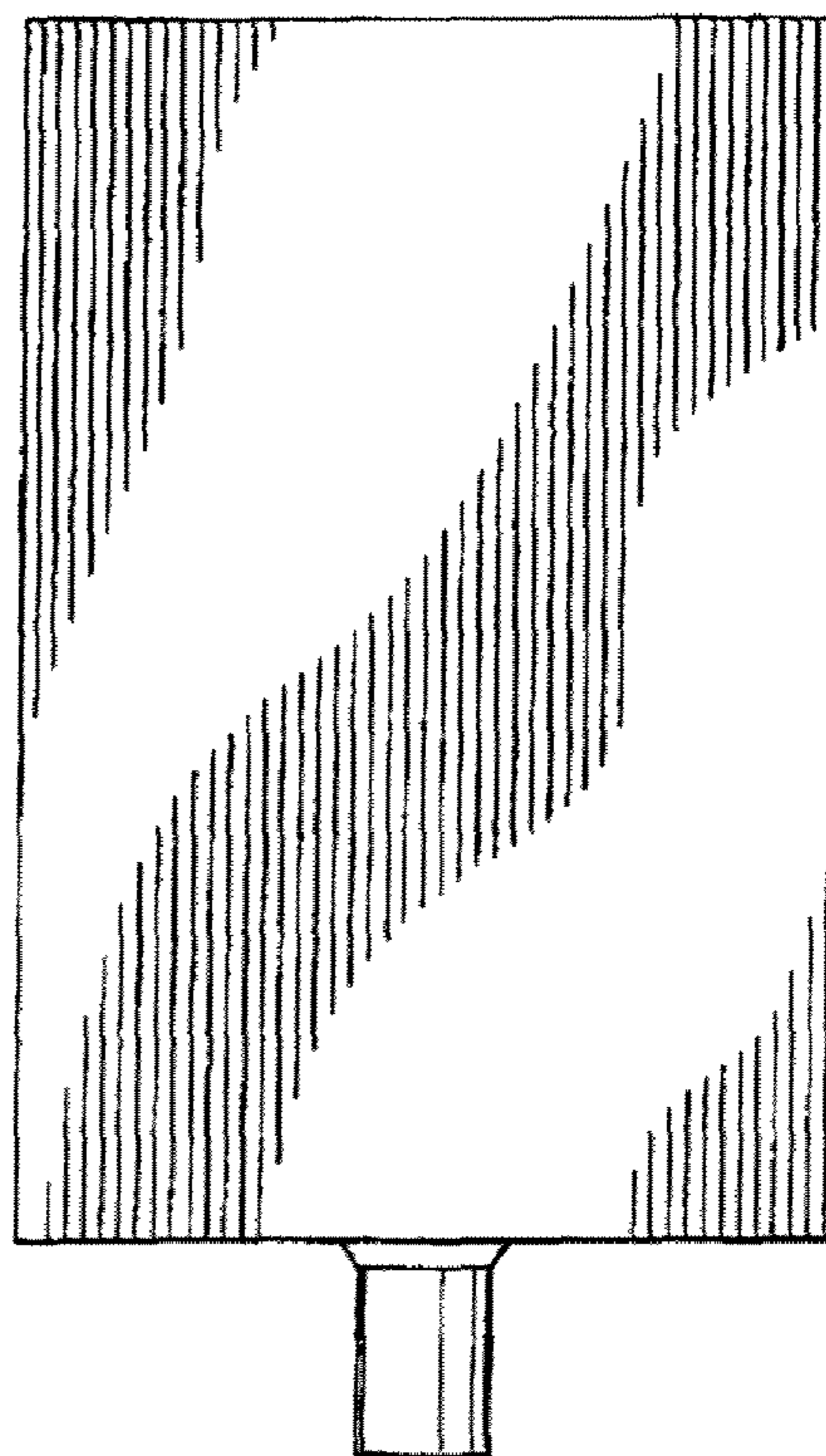


FIG. 7

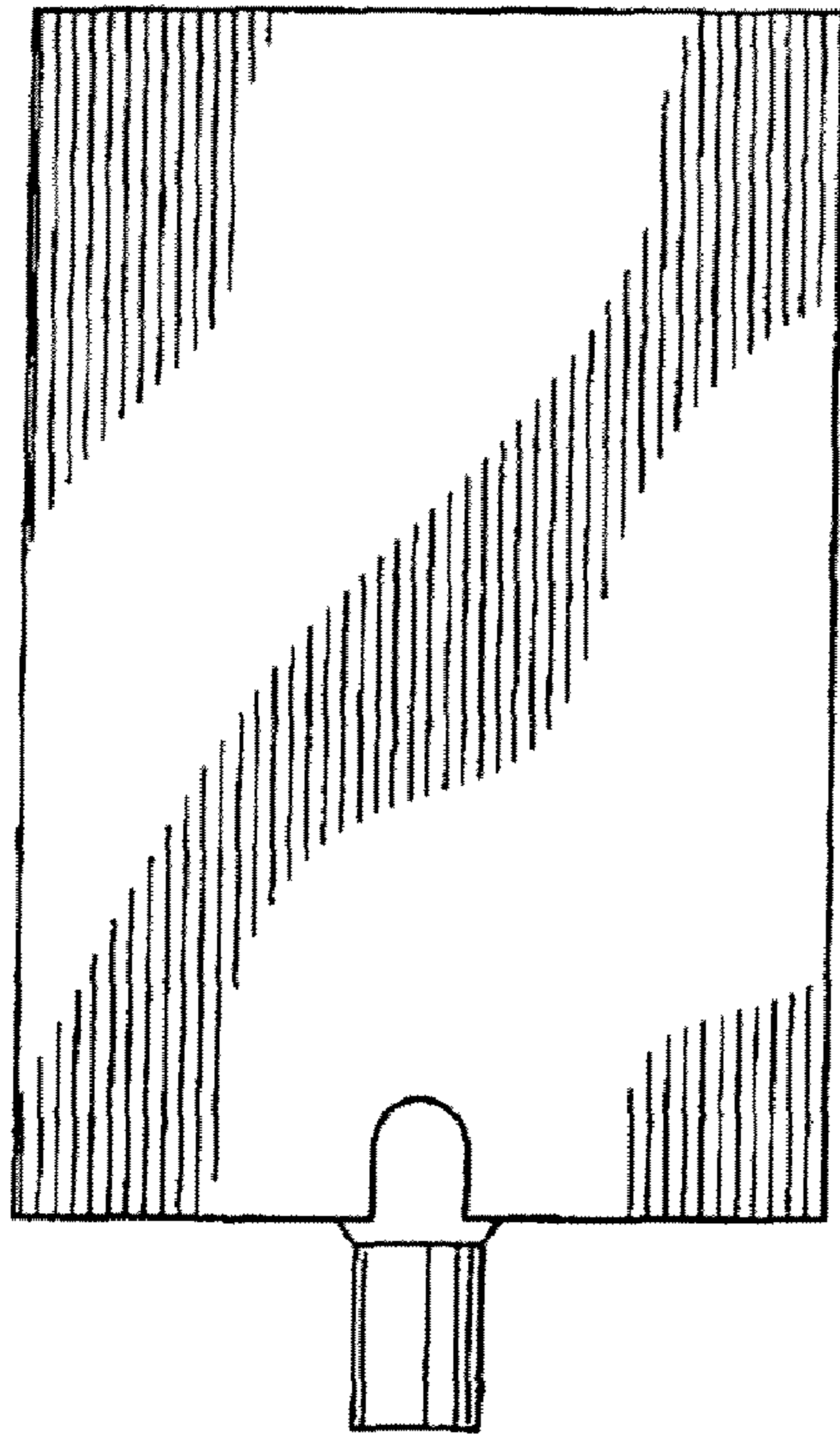


FIG. 8

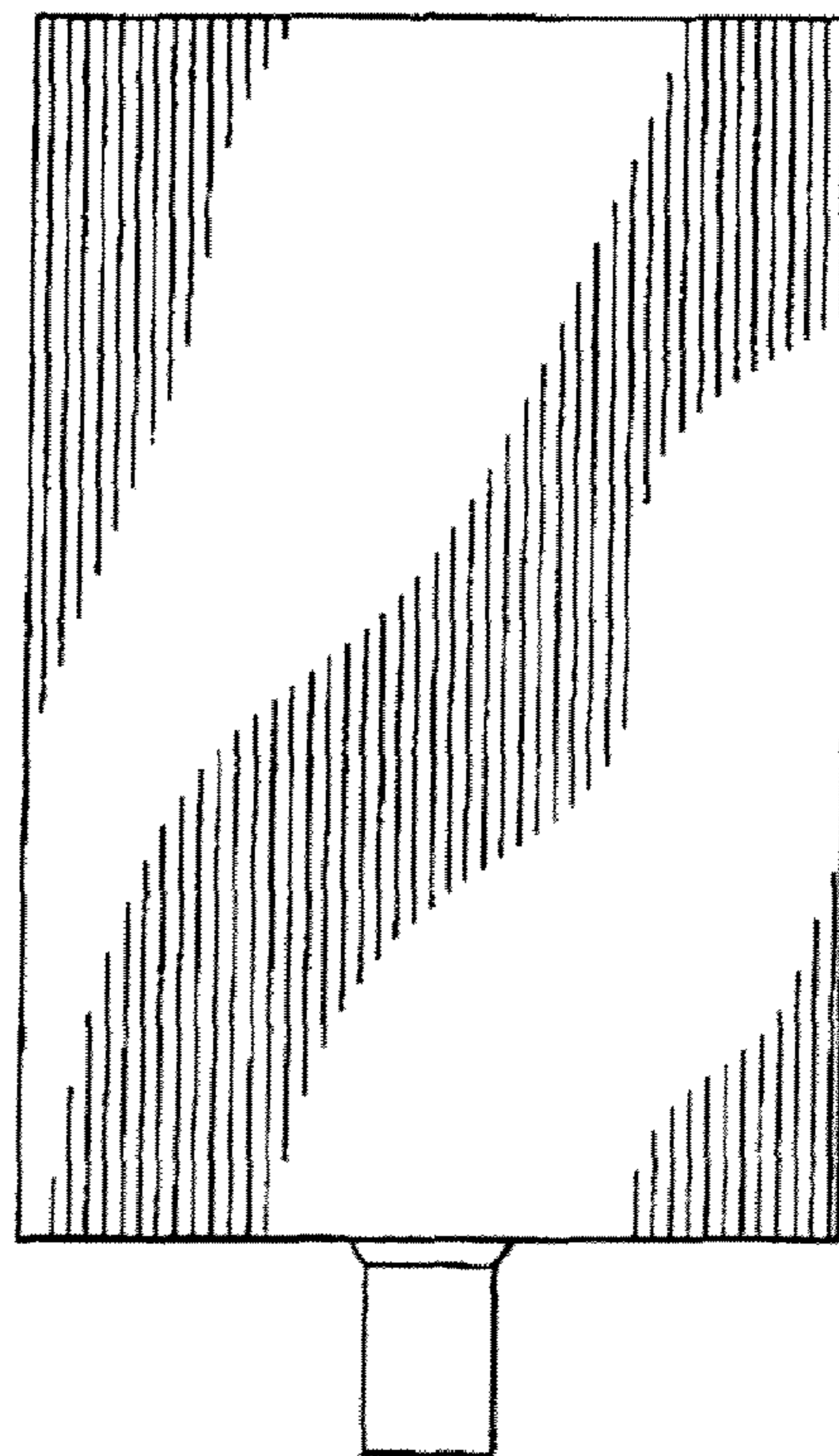


FIG. 9

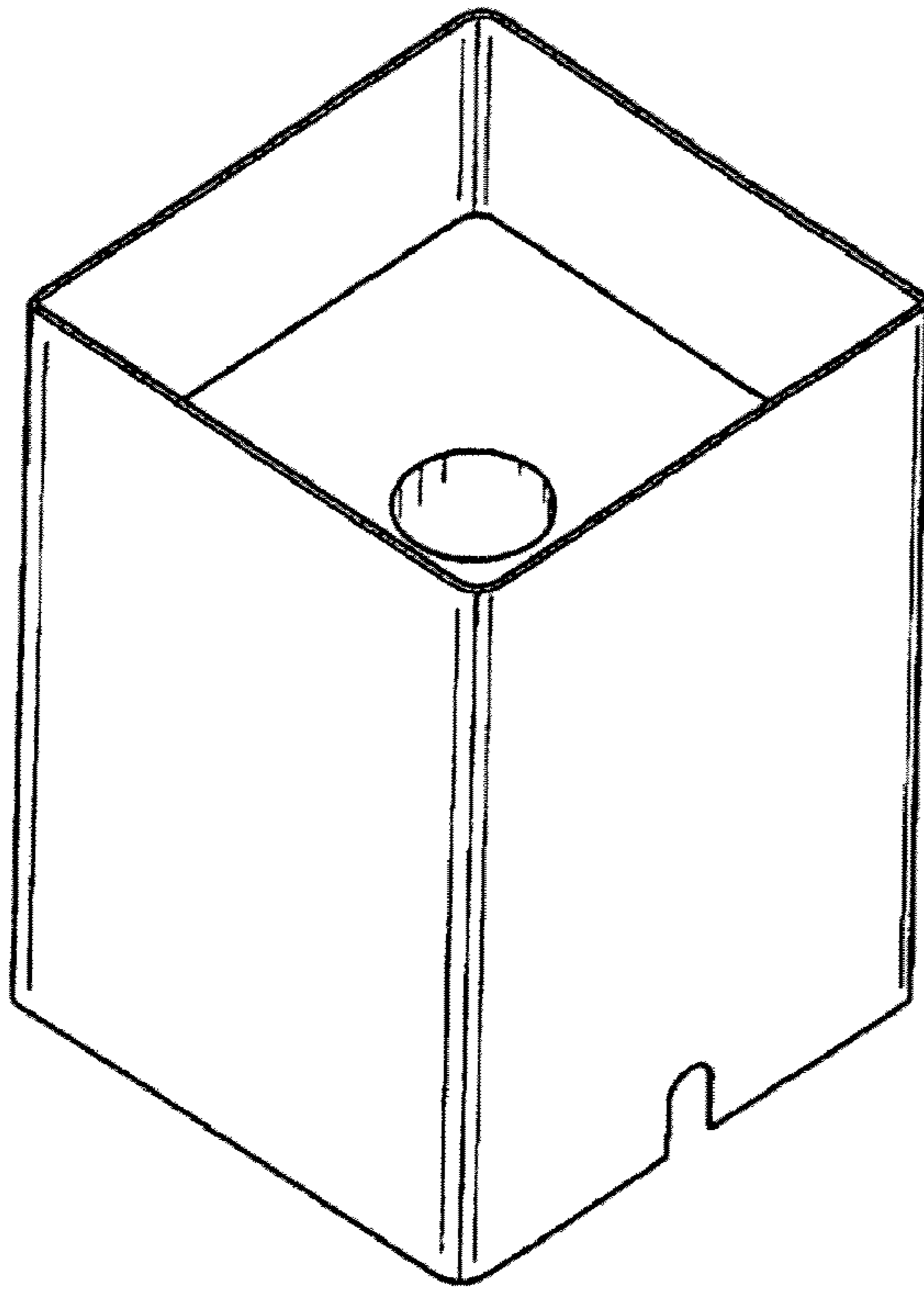


FIG. 10

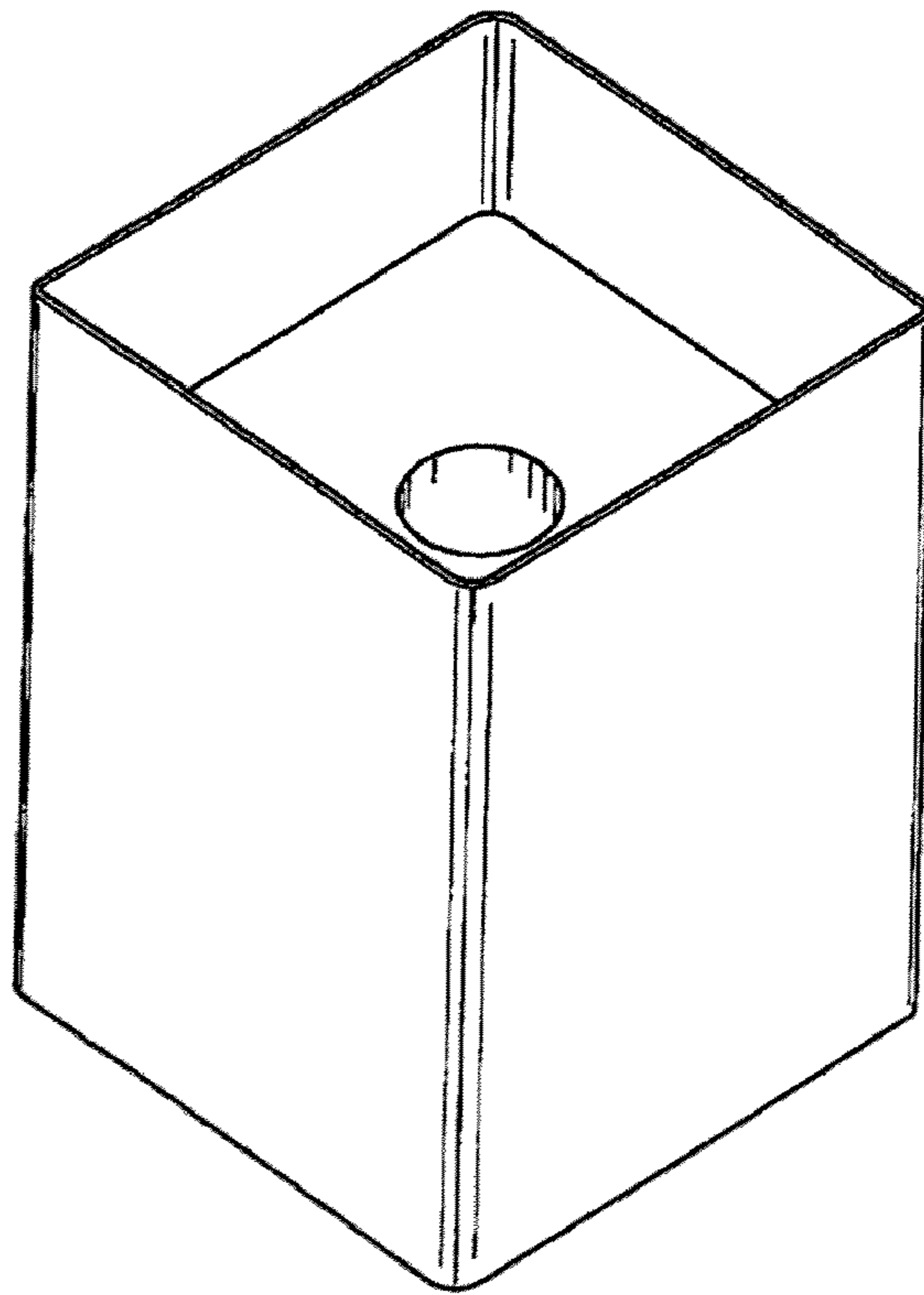


FIG. 11

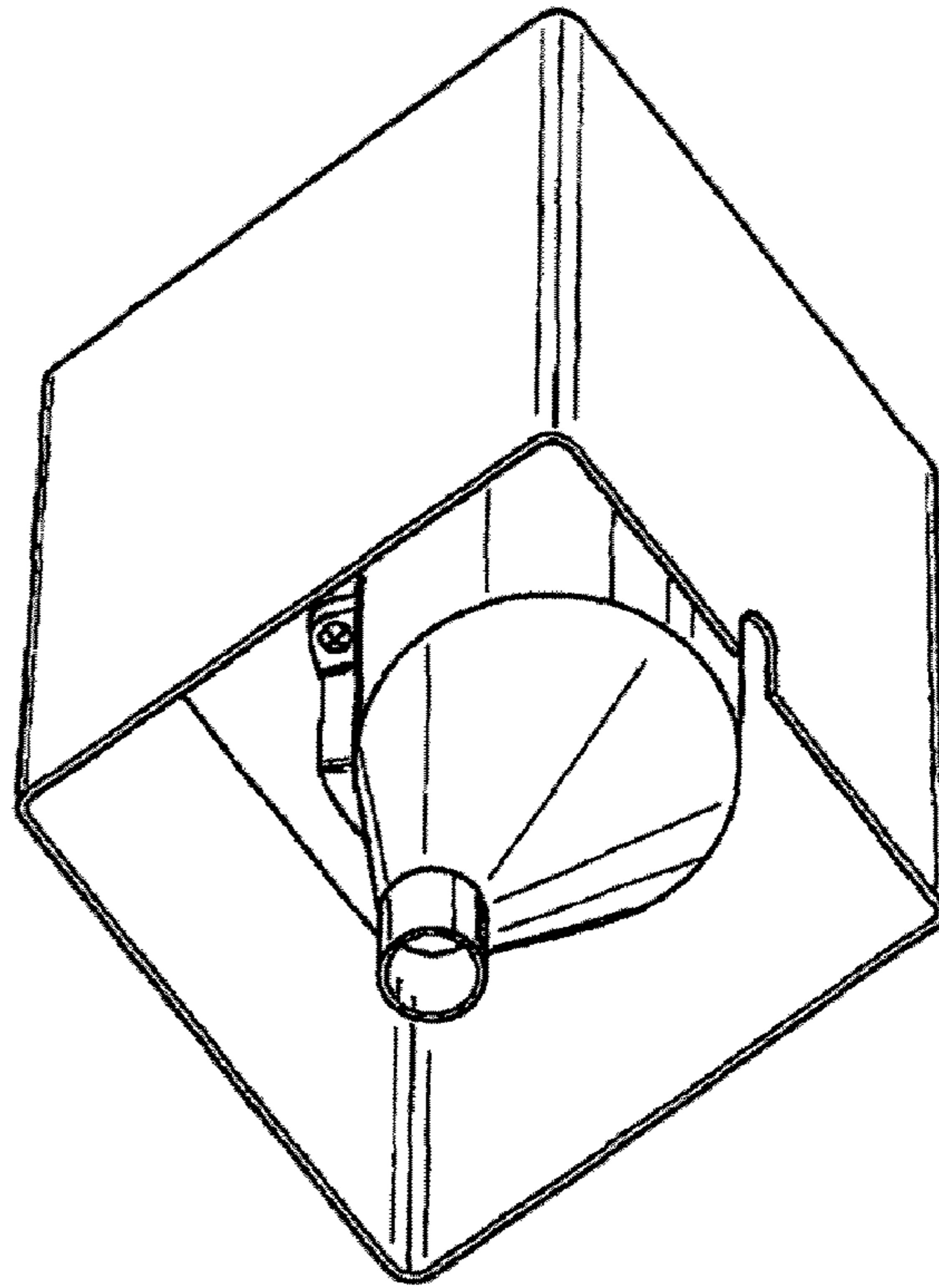


FIG. 12

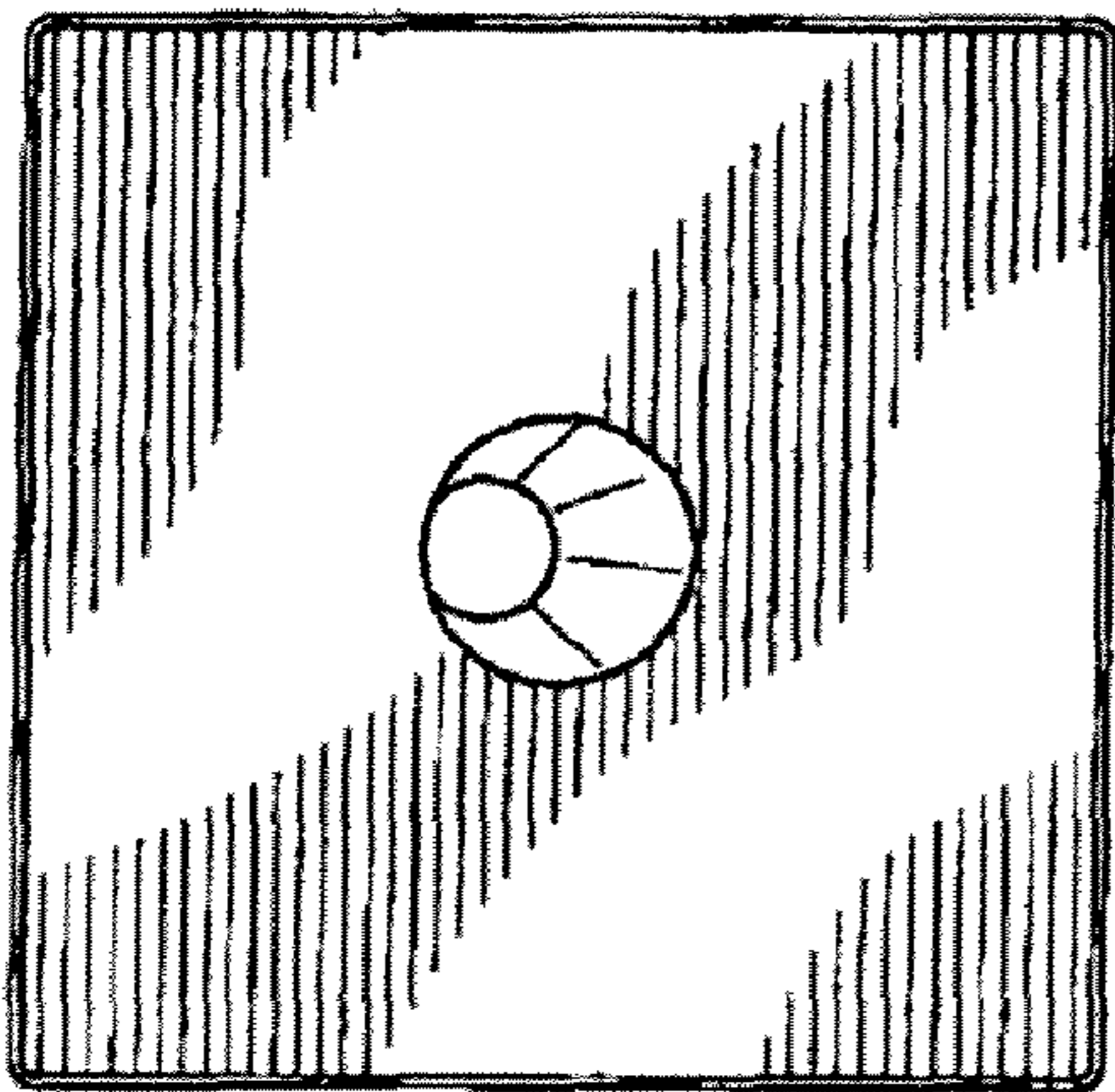


FIG. 13

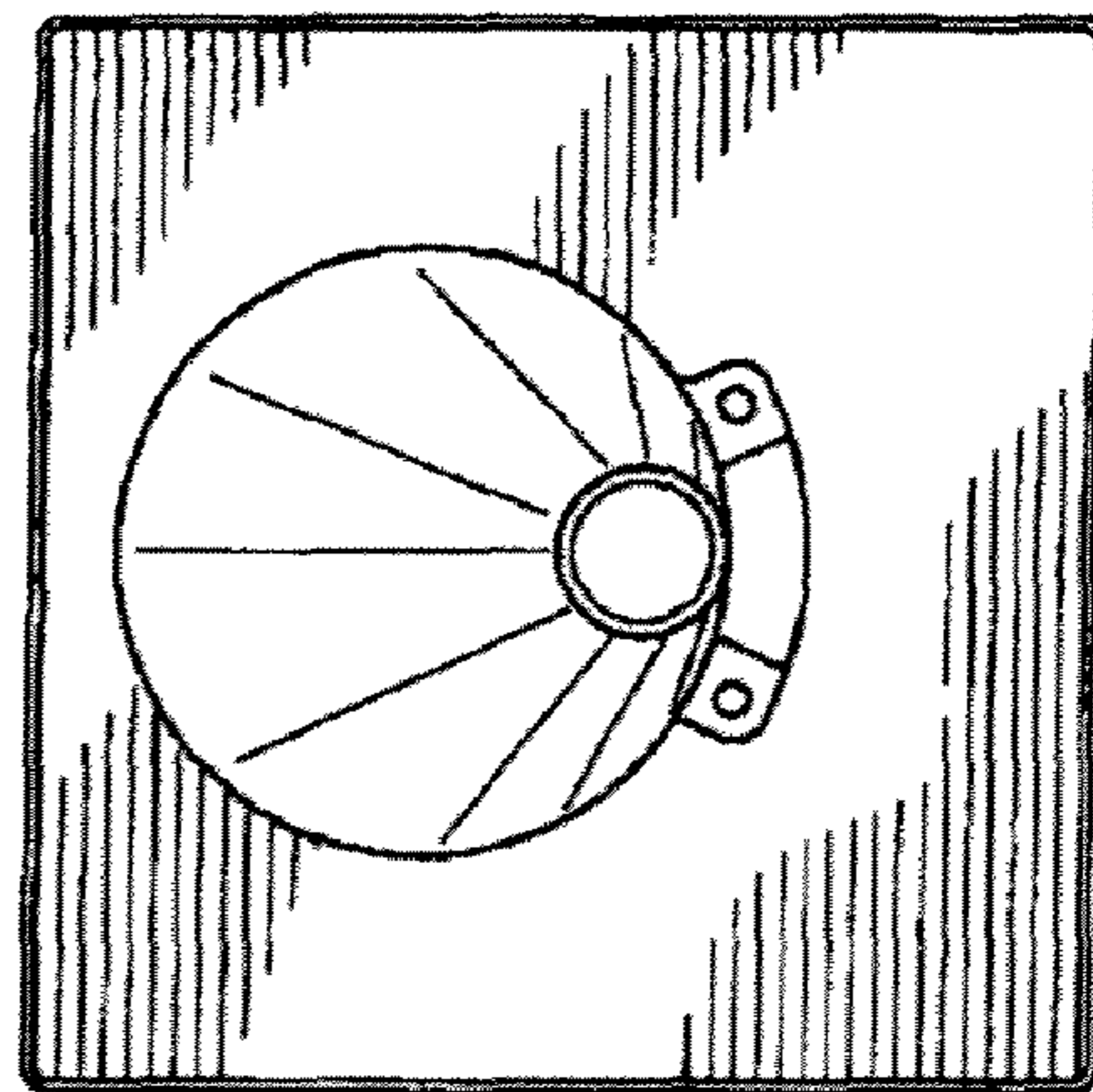


FIG. 14

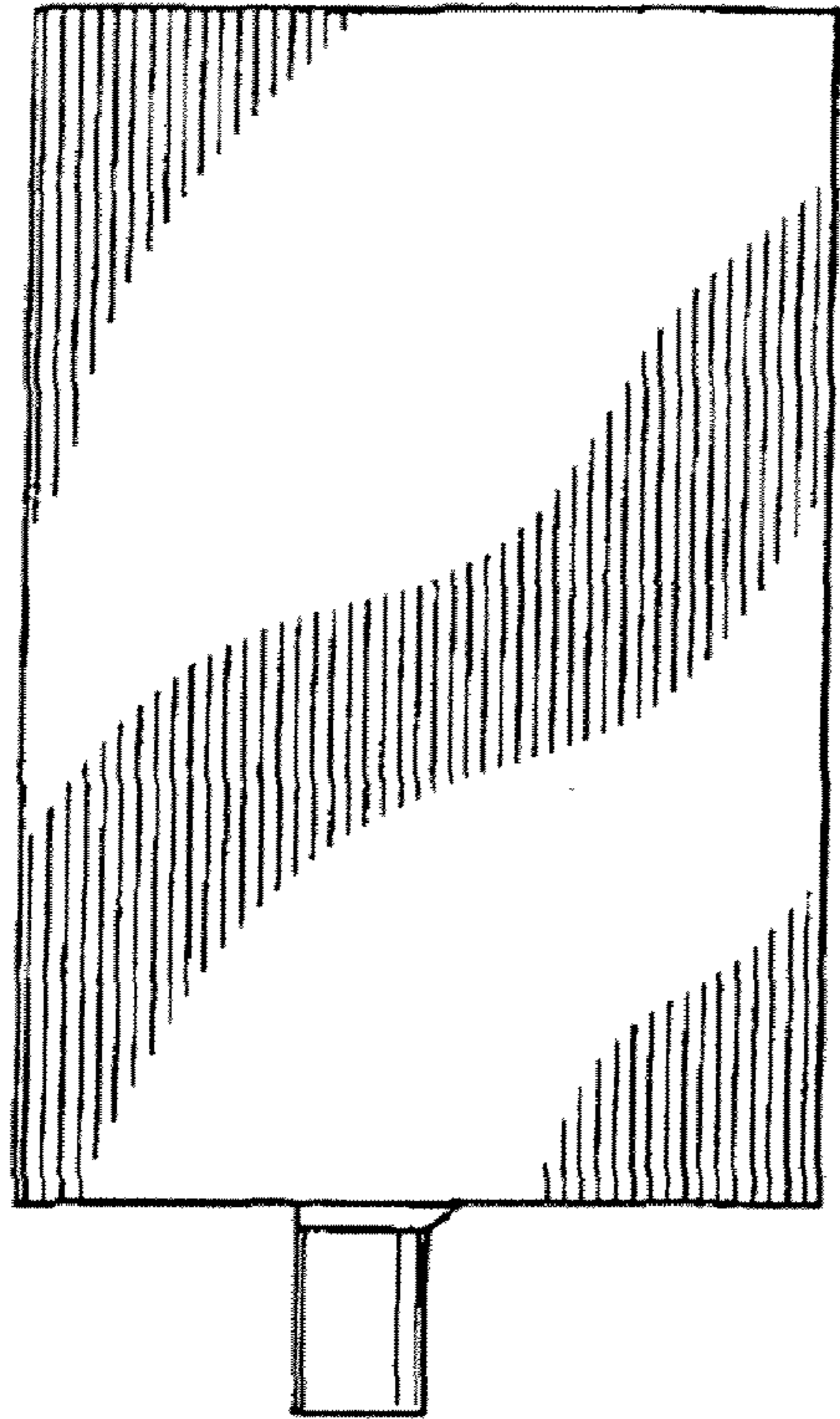


FIG. 15

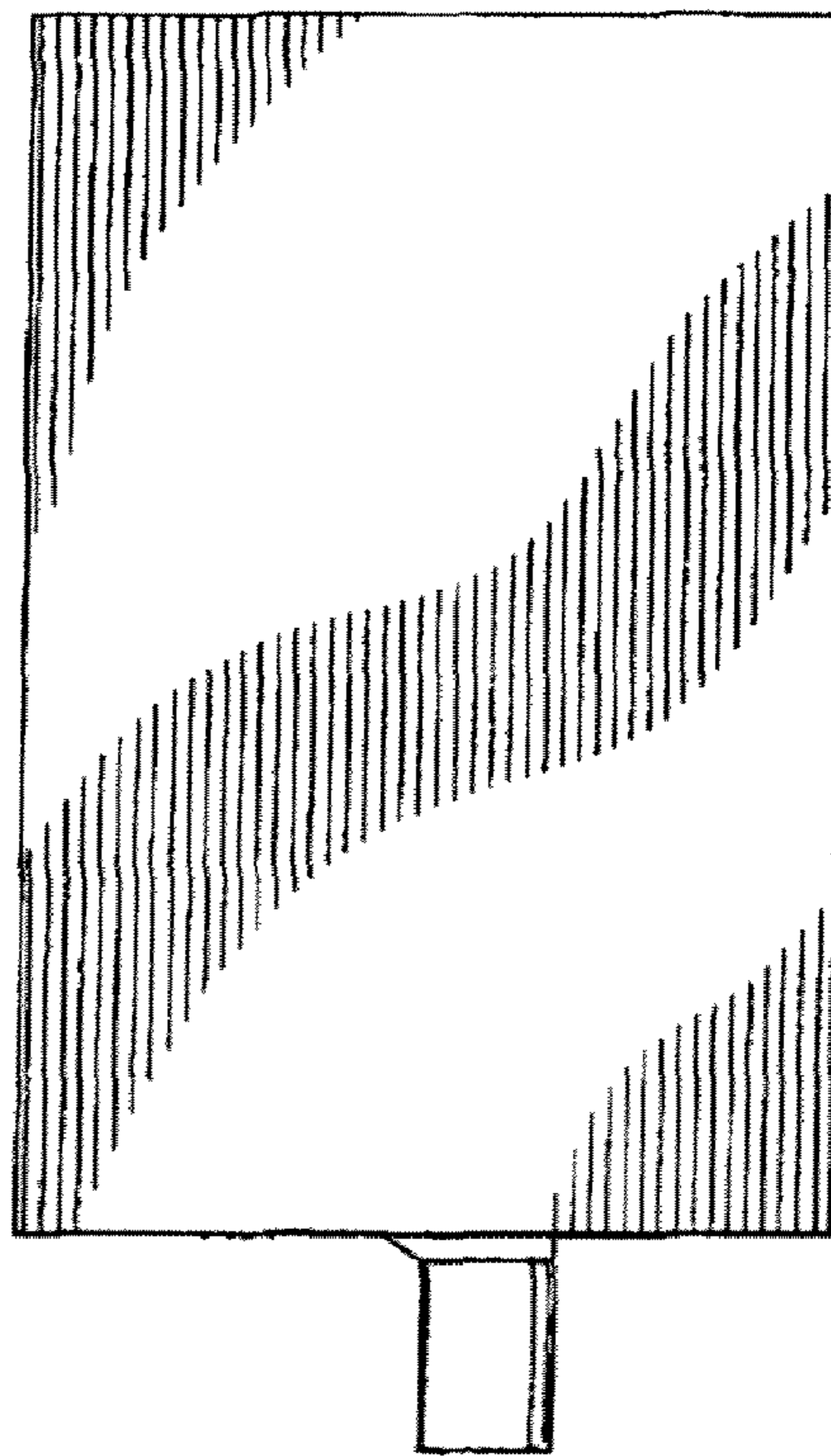


FIG. 16

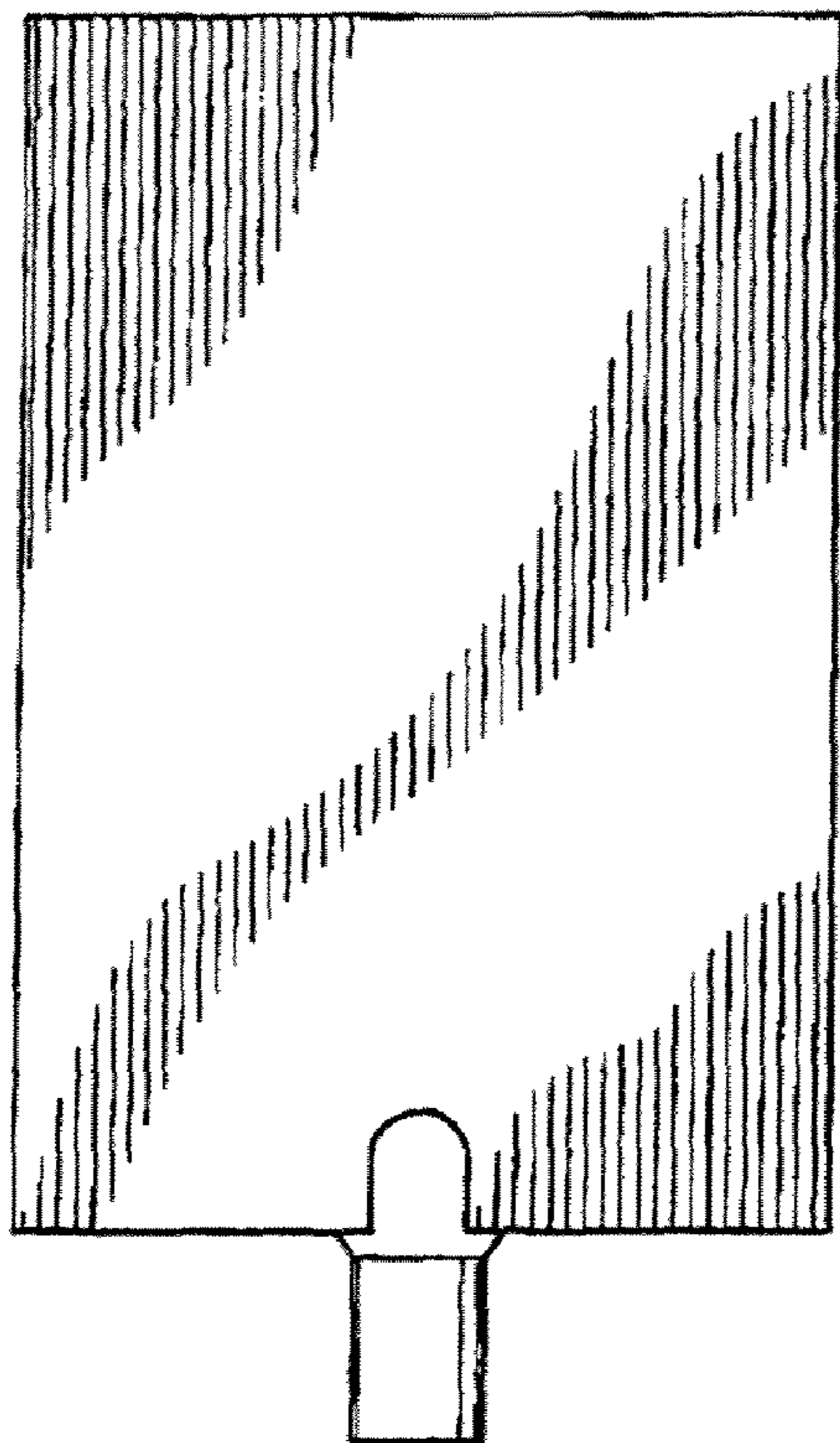


FIG. 17

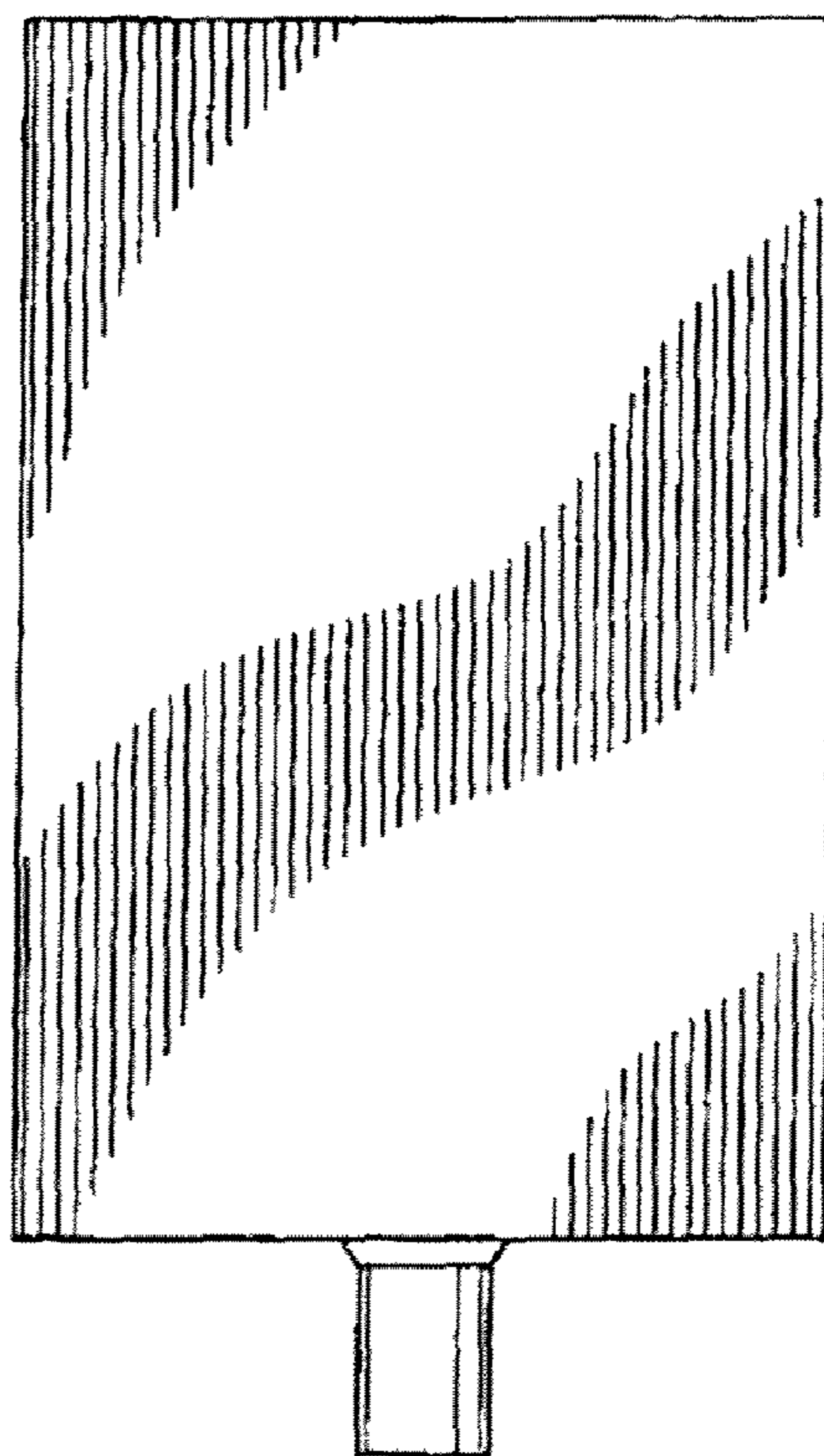


FIG. 18

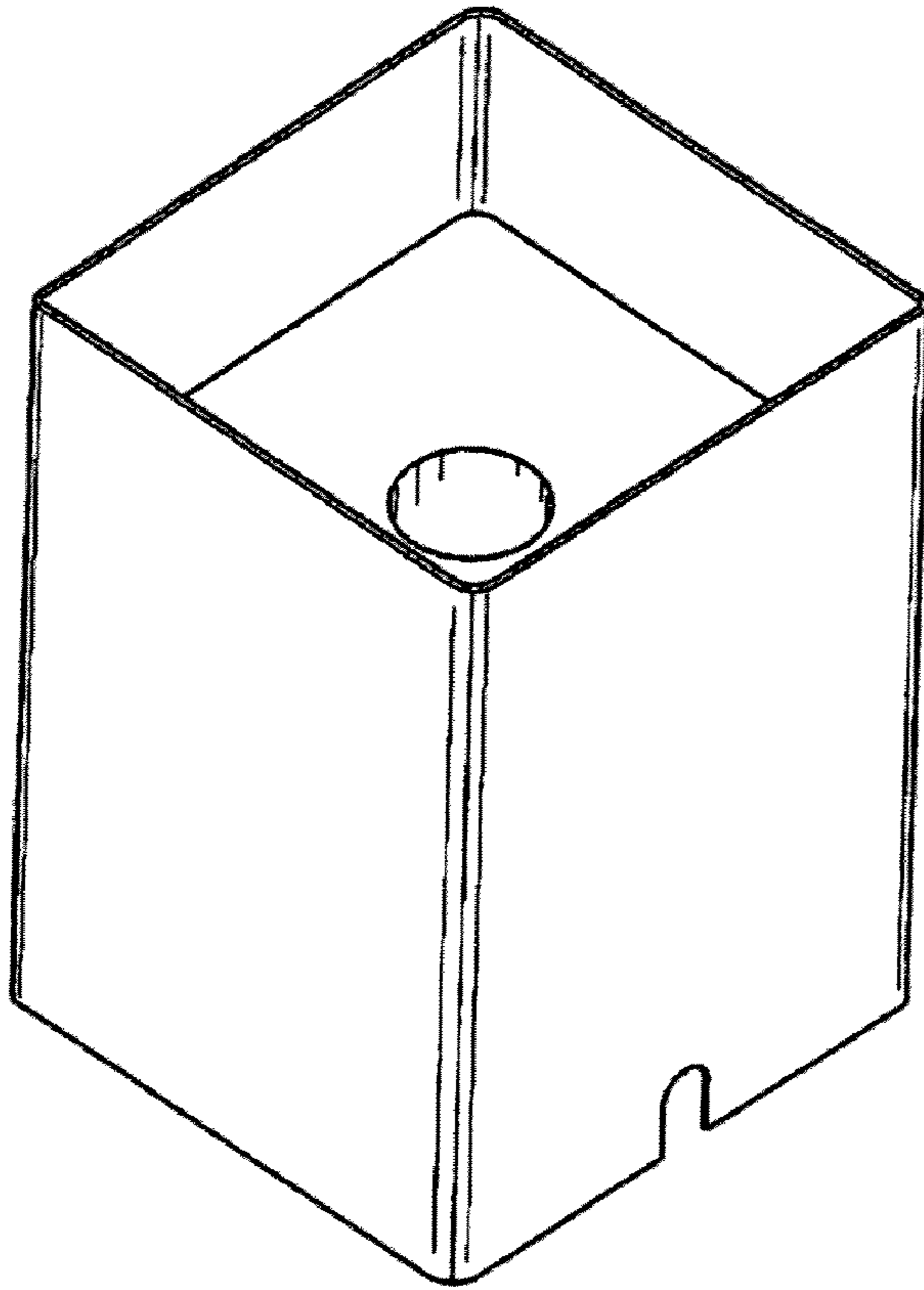


FIG. 19

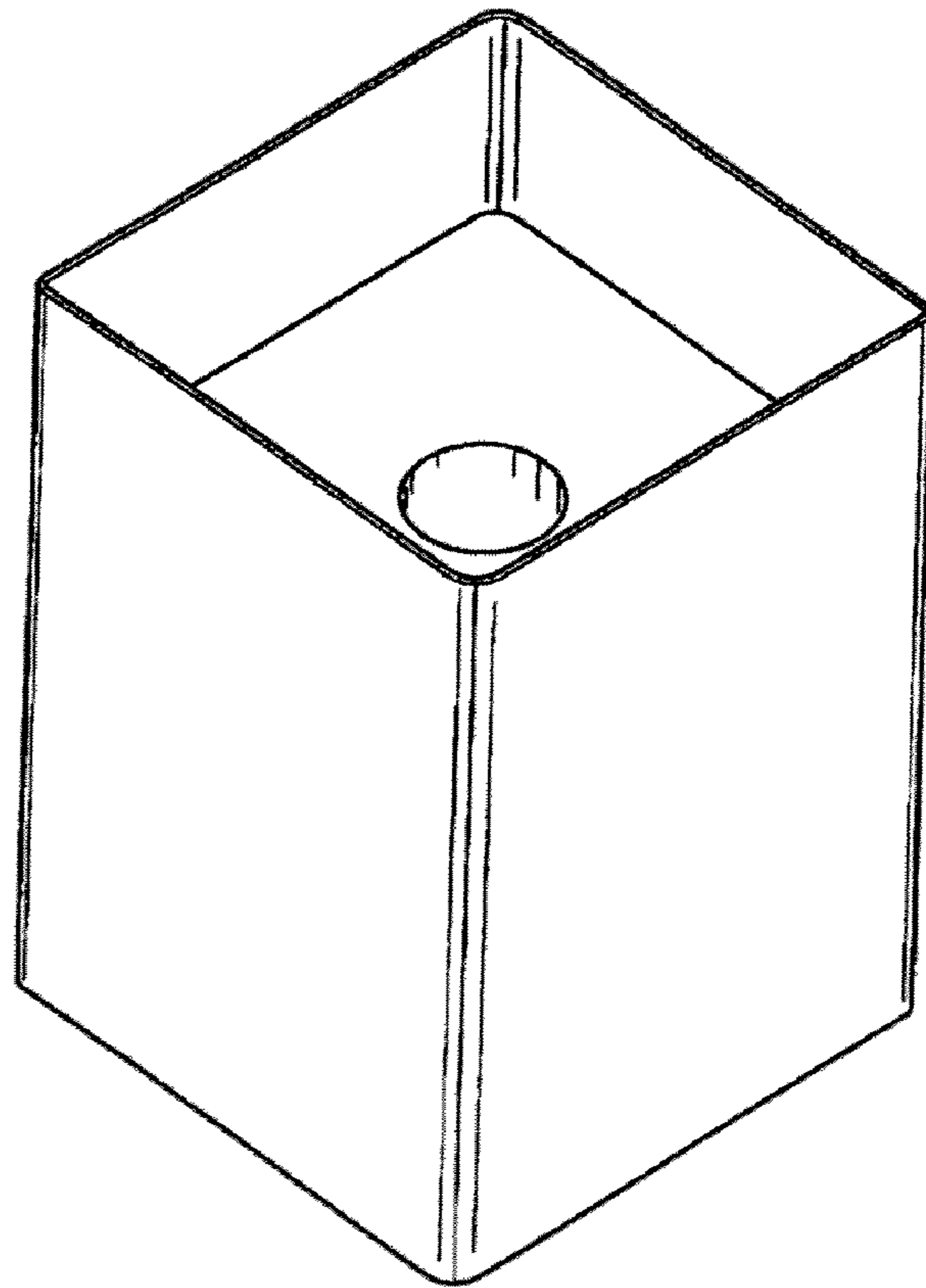


FIG. 20

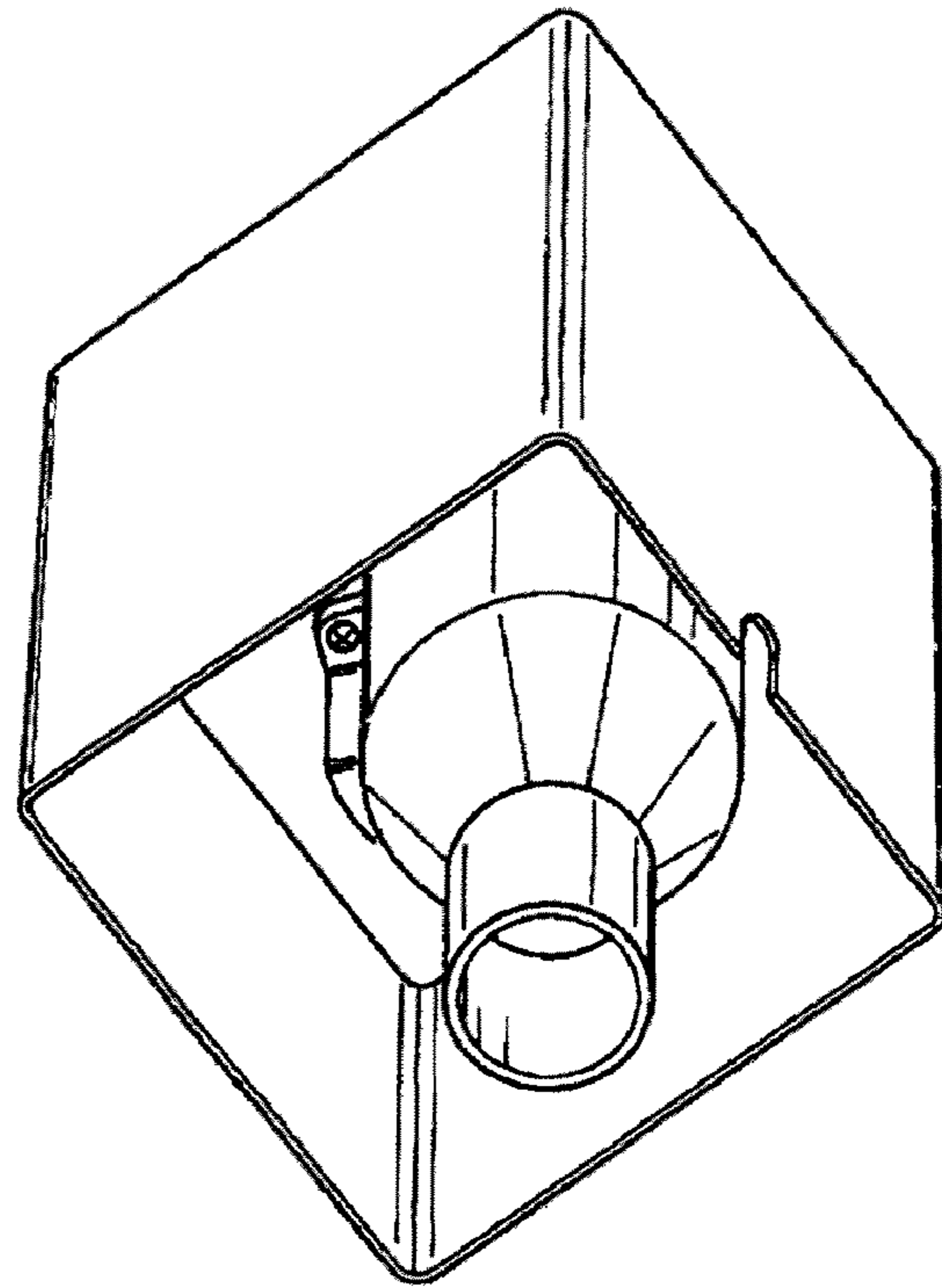


FIG. 21

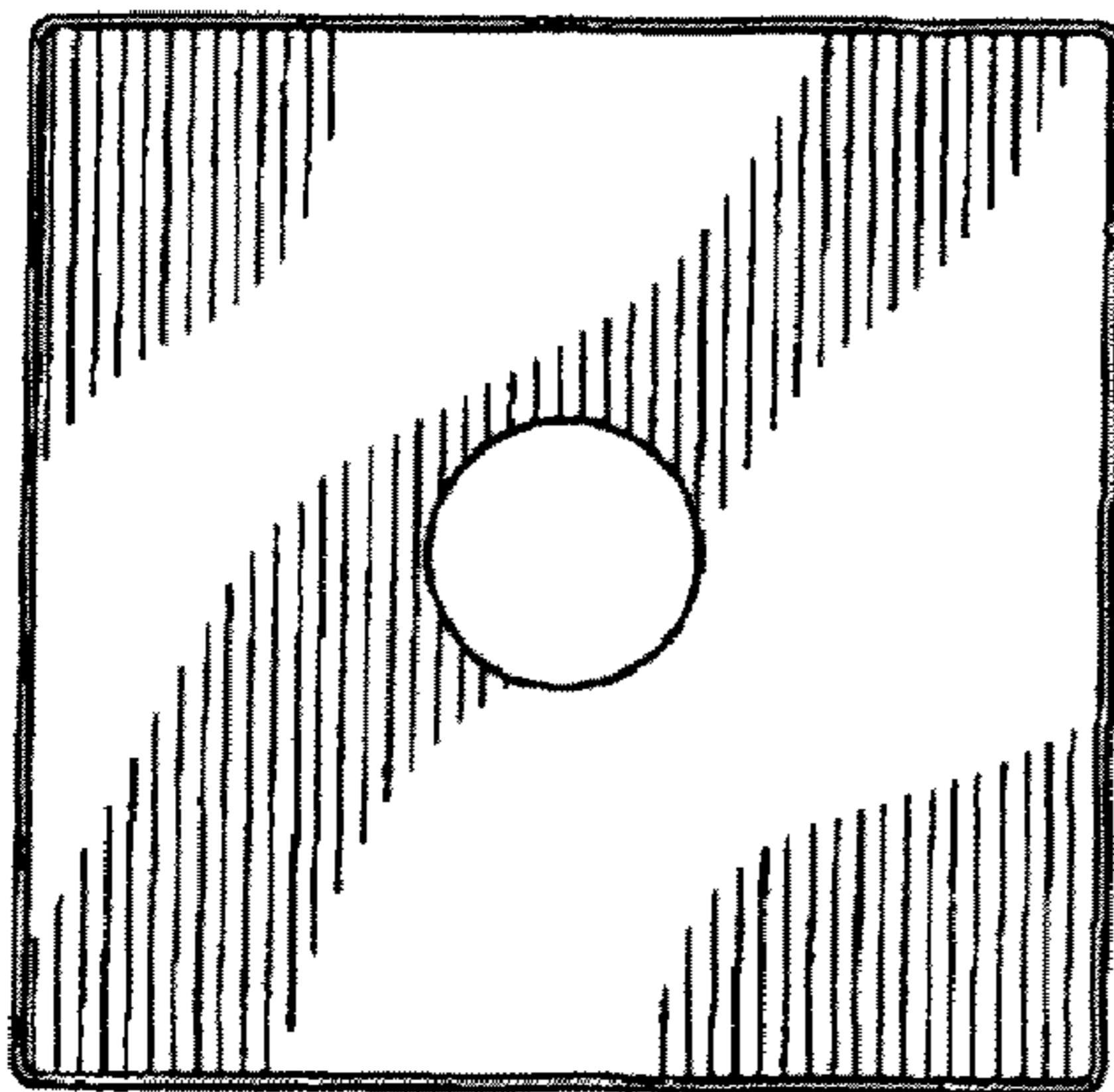


FIG. 22

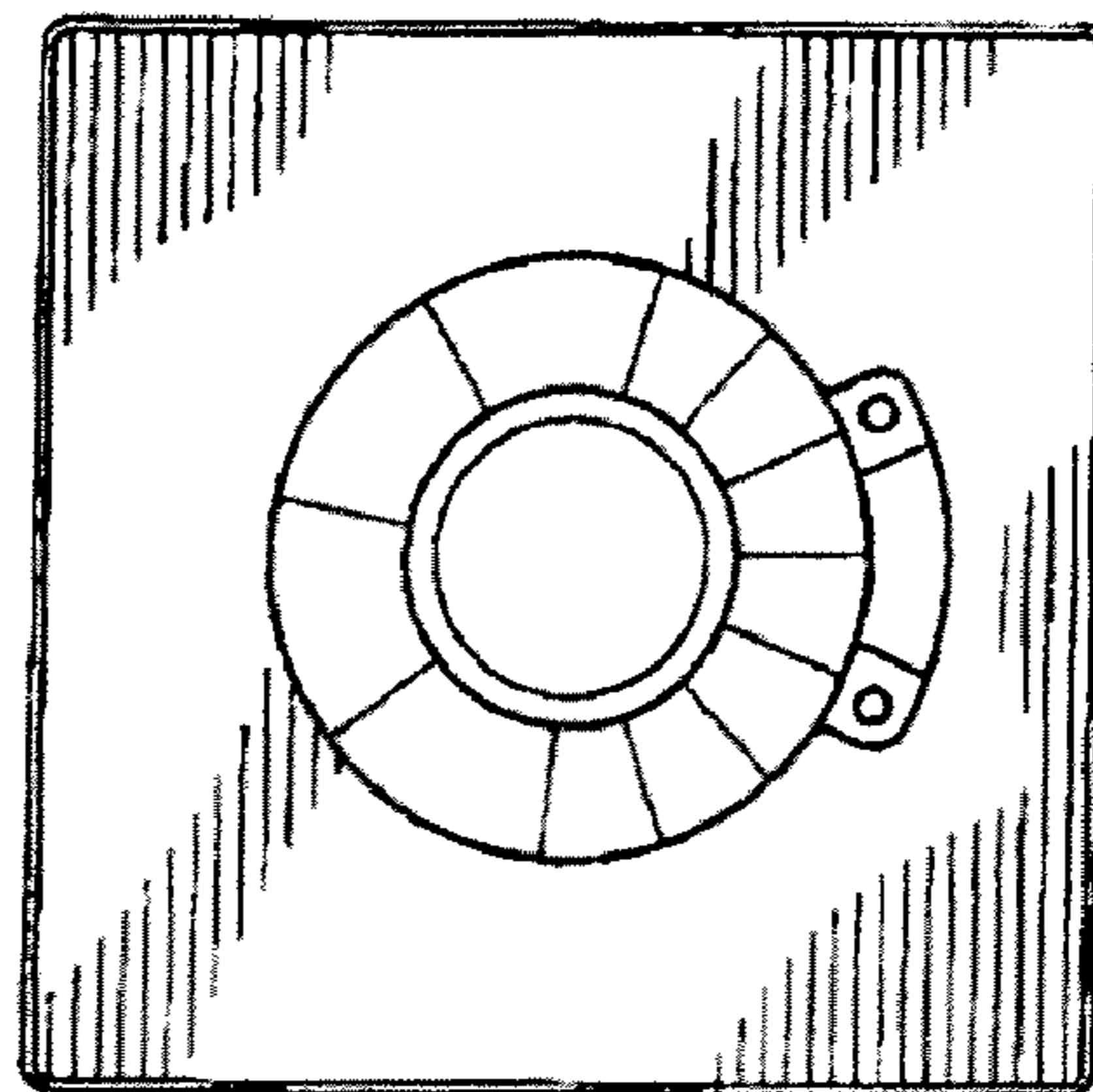


FIG. 23

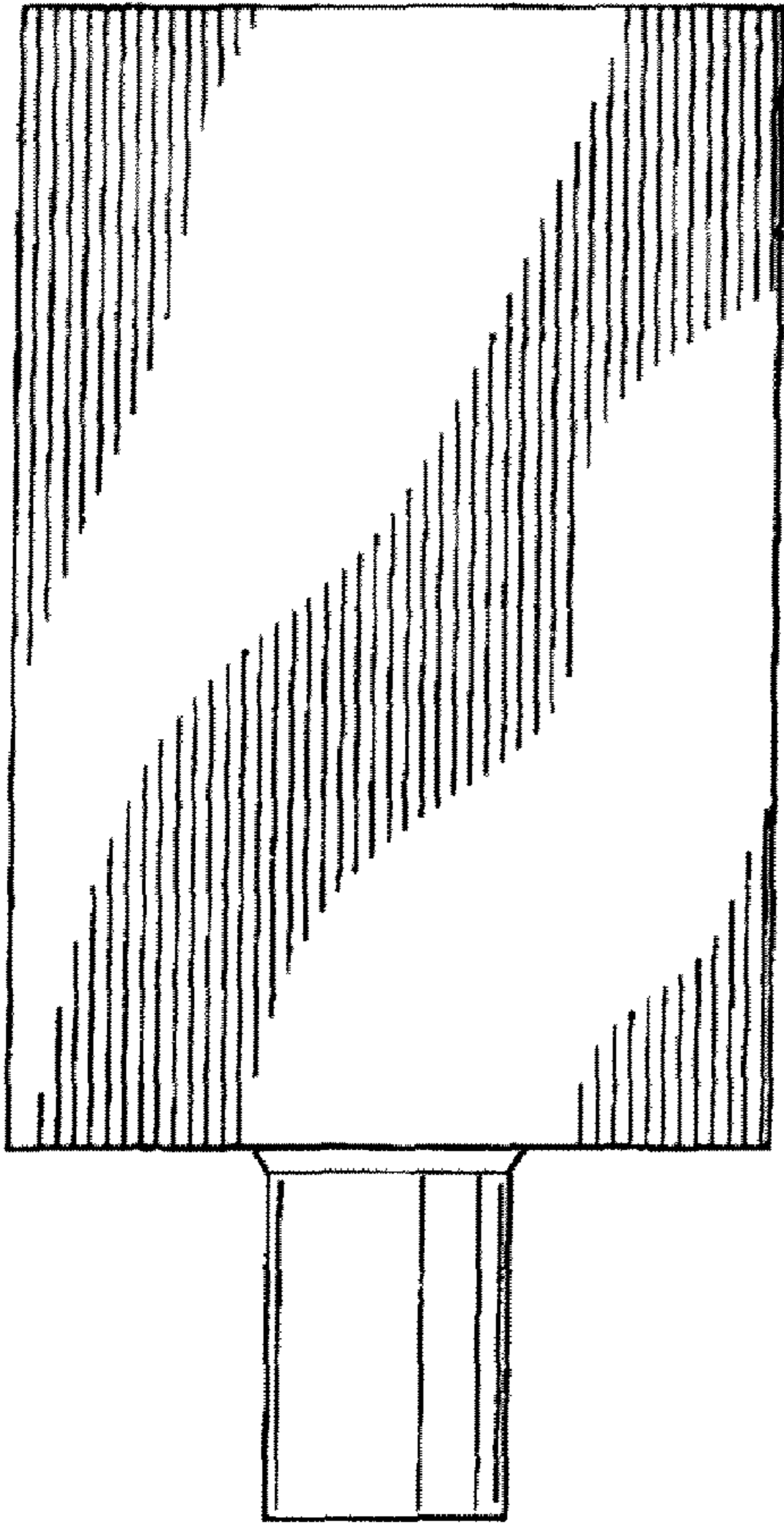


FIG. 24

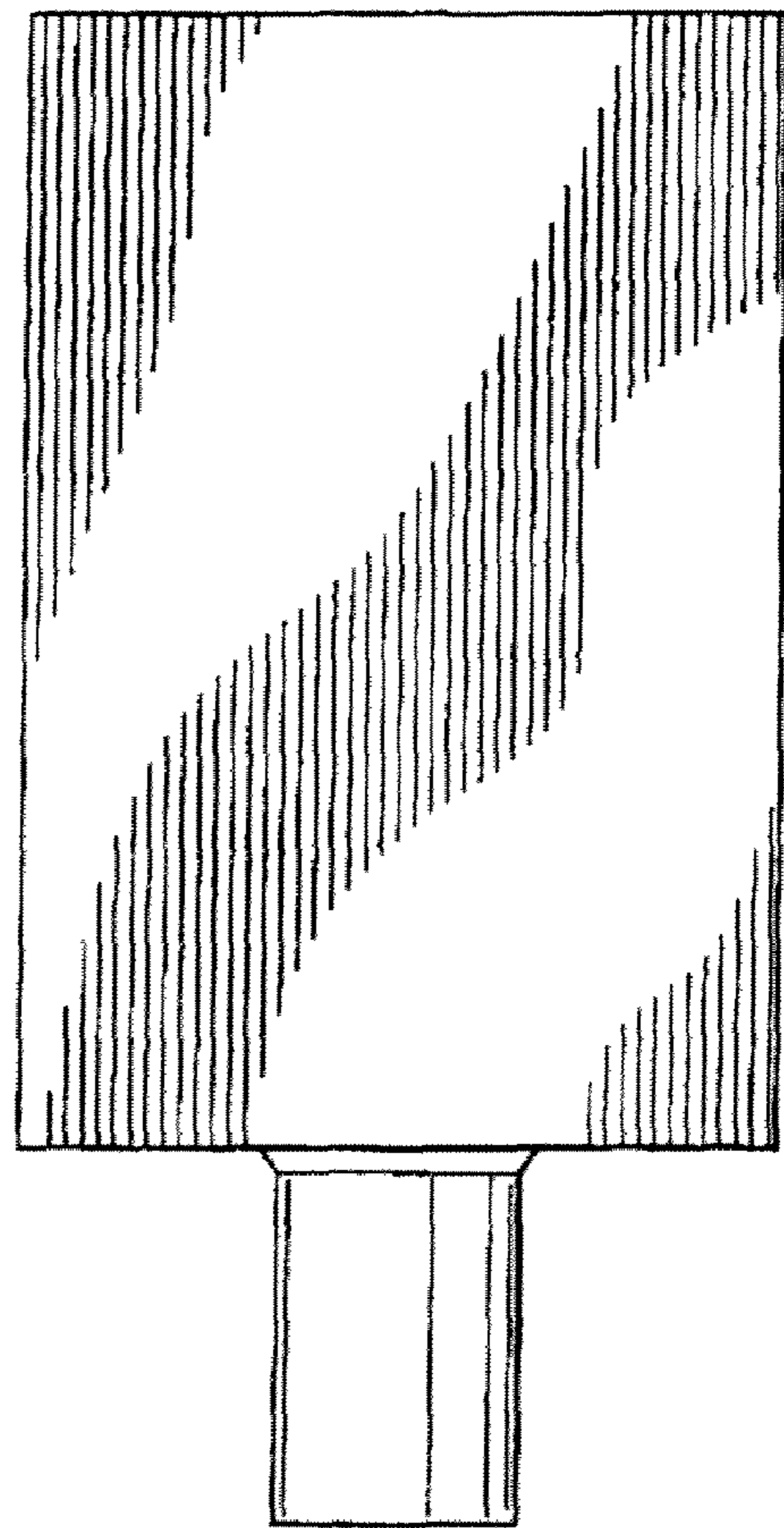


FIG. 25

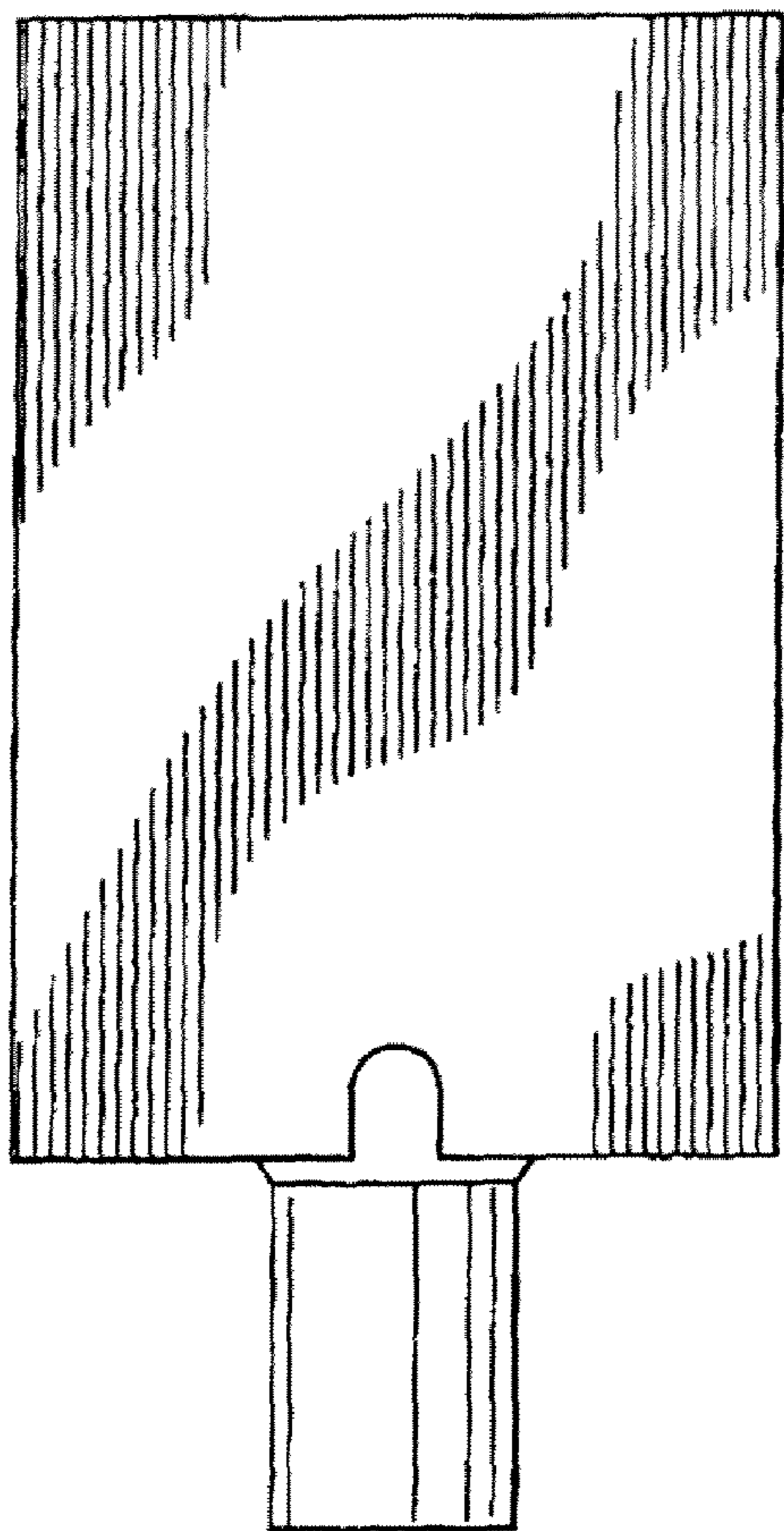


FIG. 26

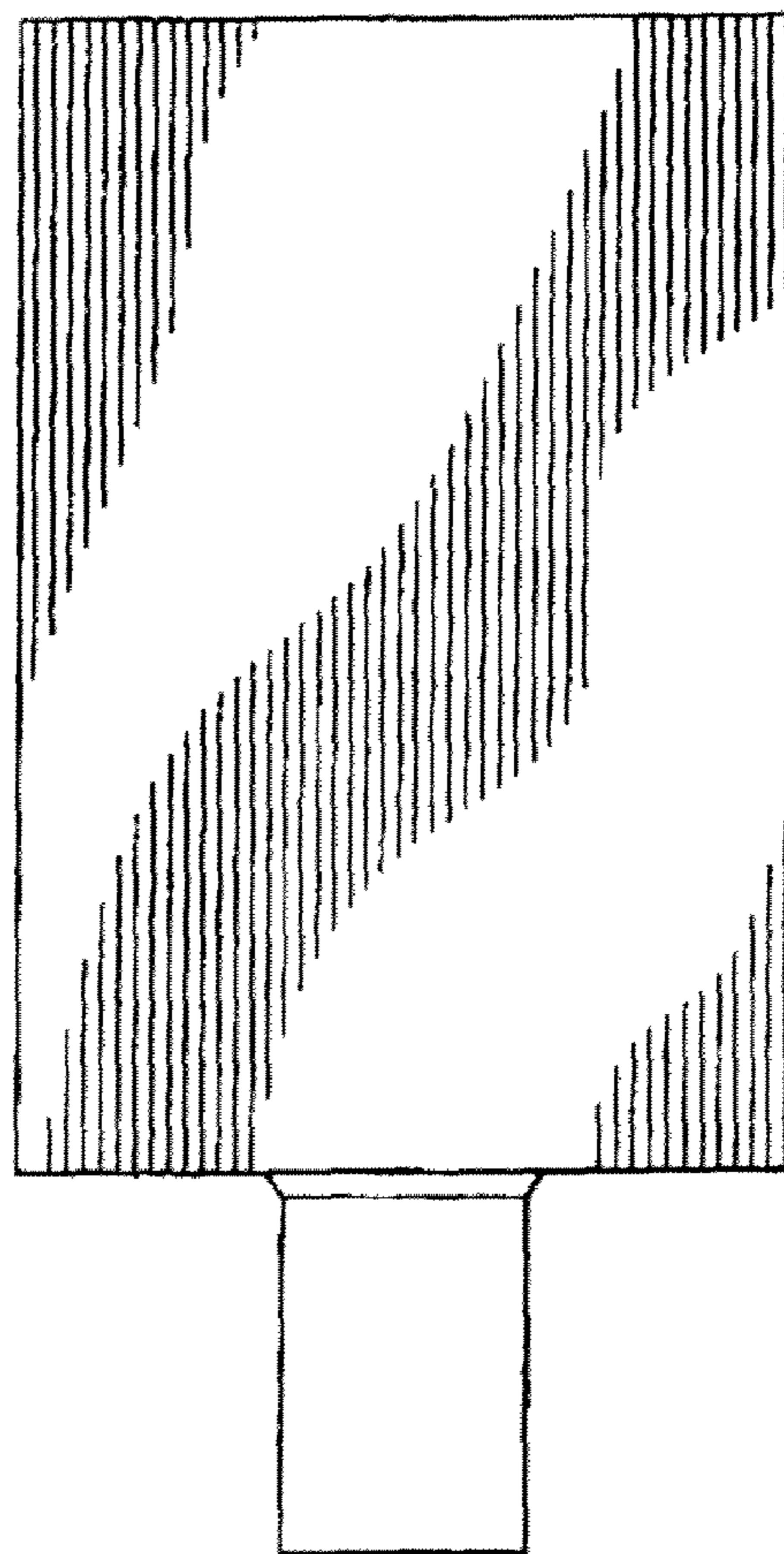


FIG. 27

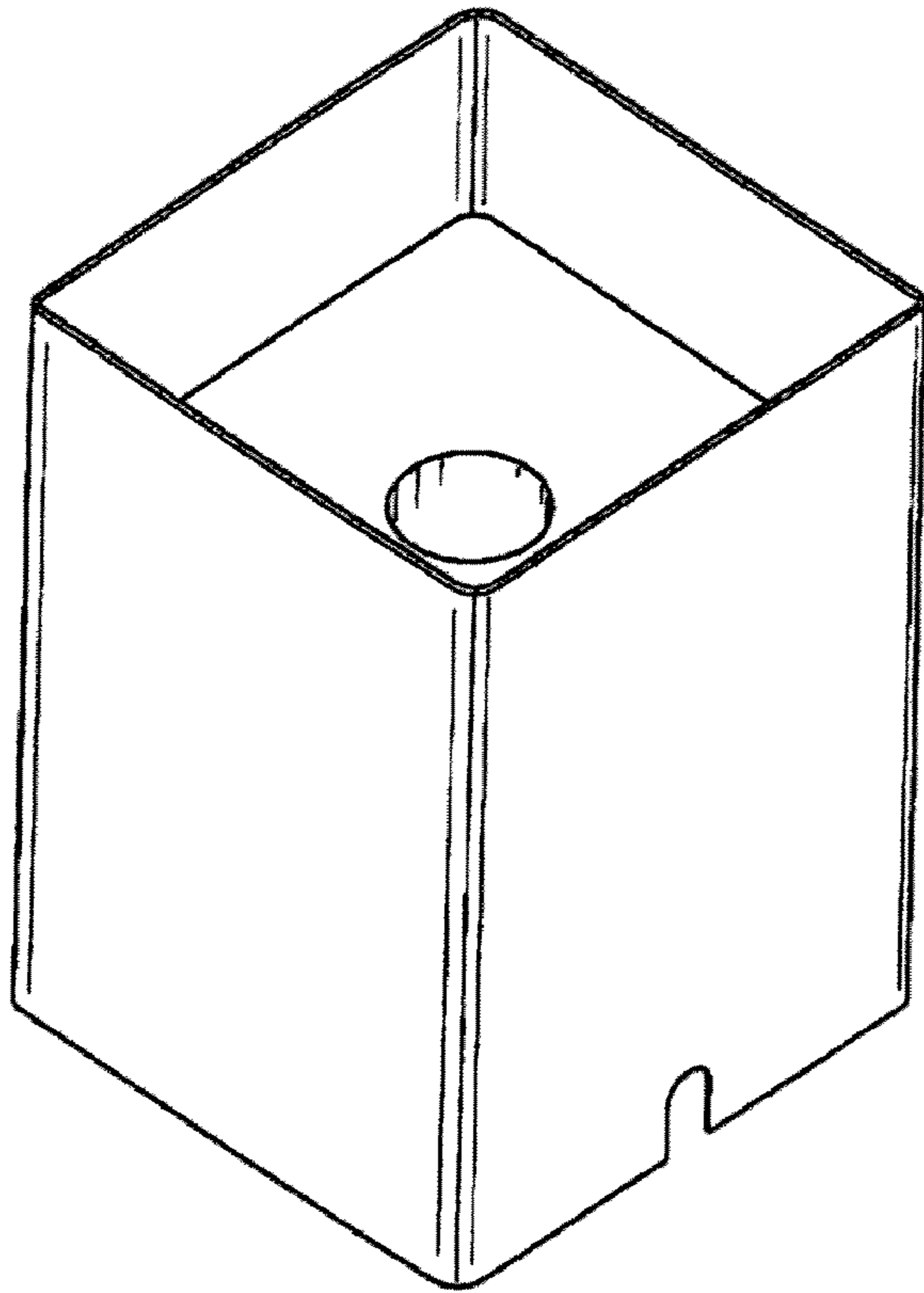


FIG. 28

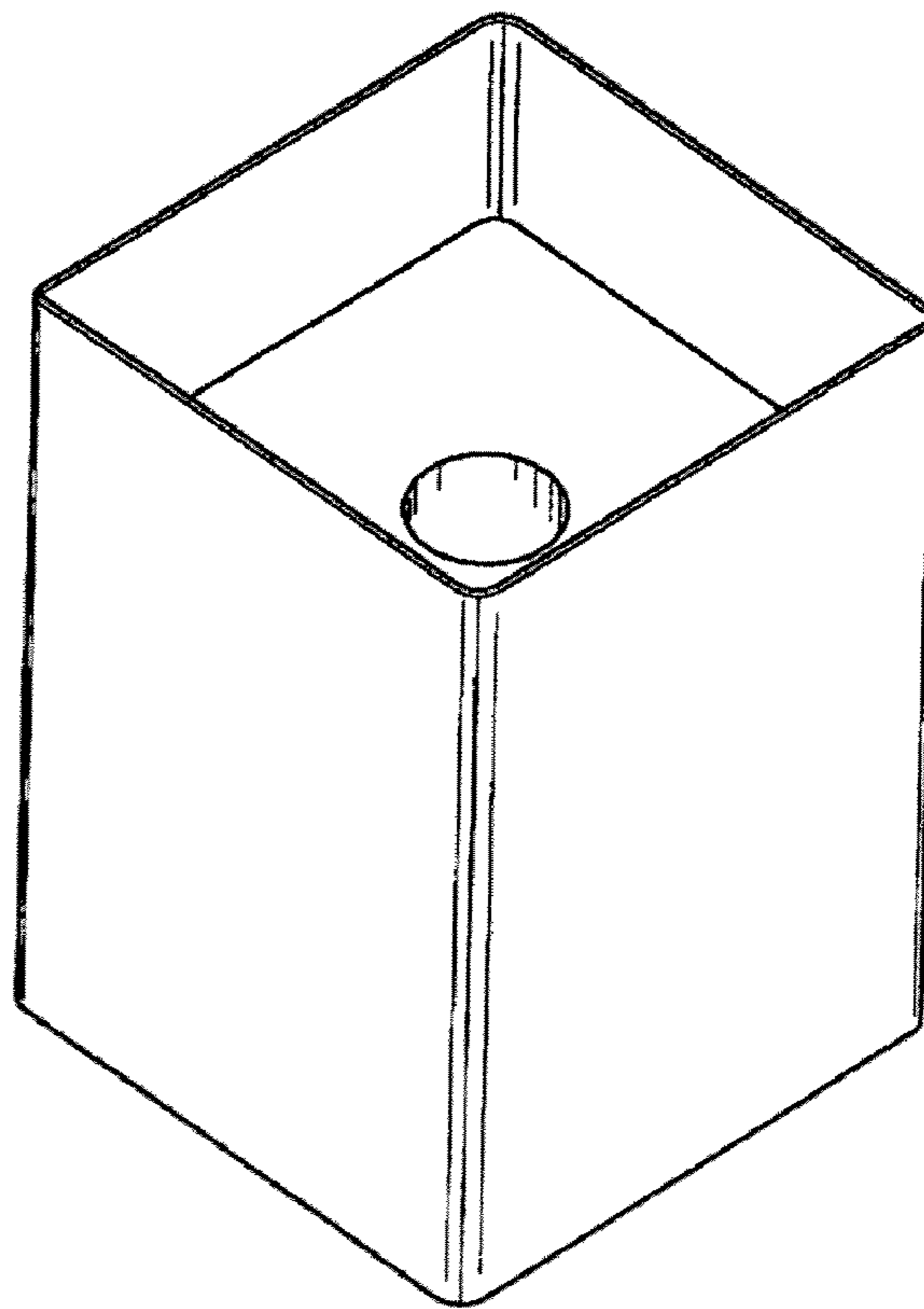


FIG. 29

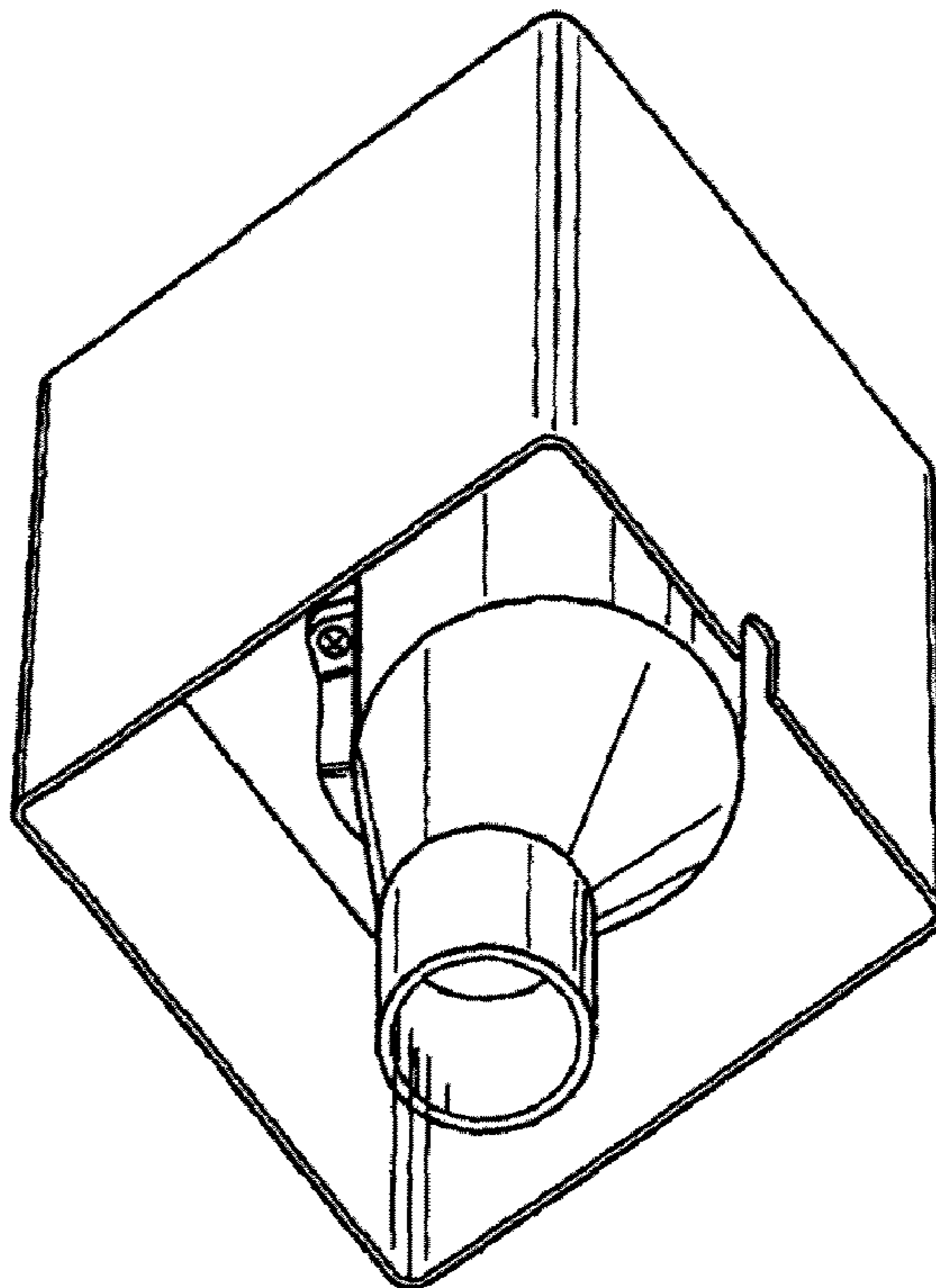


FIG. 30

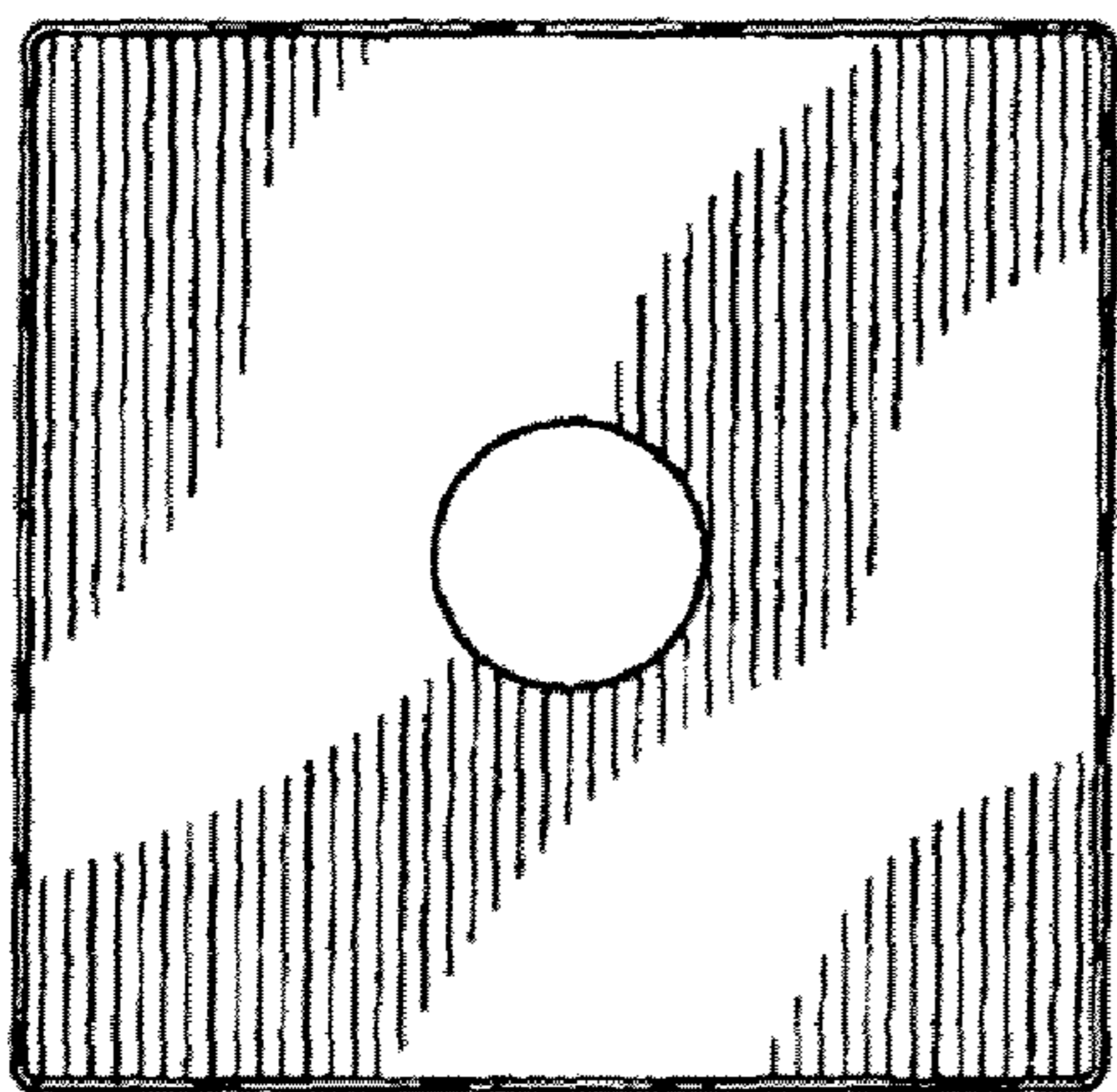


FIG. 31

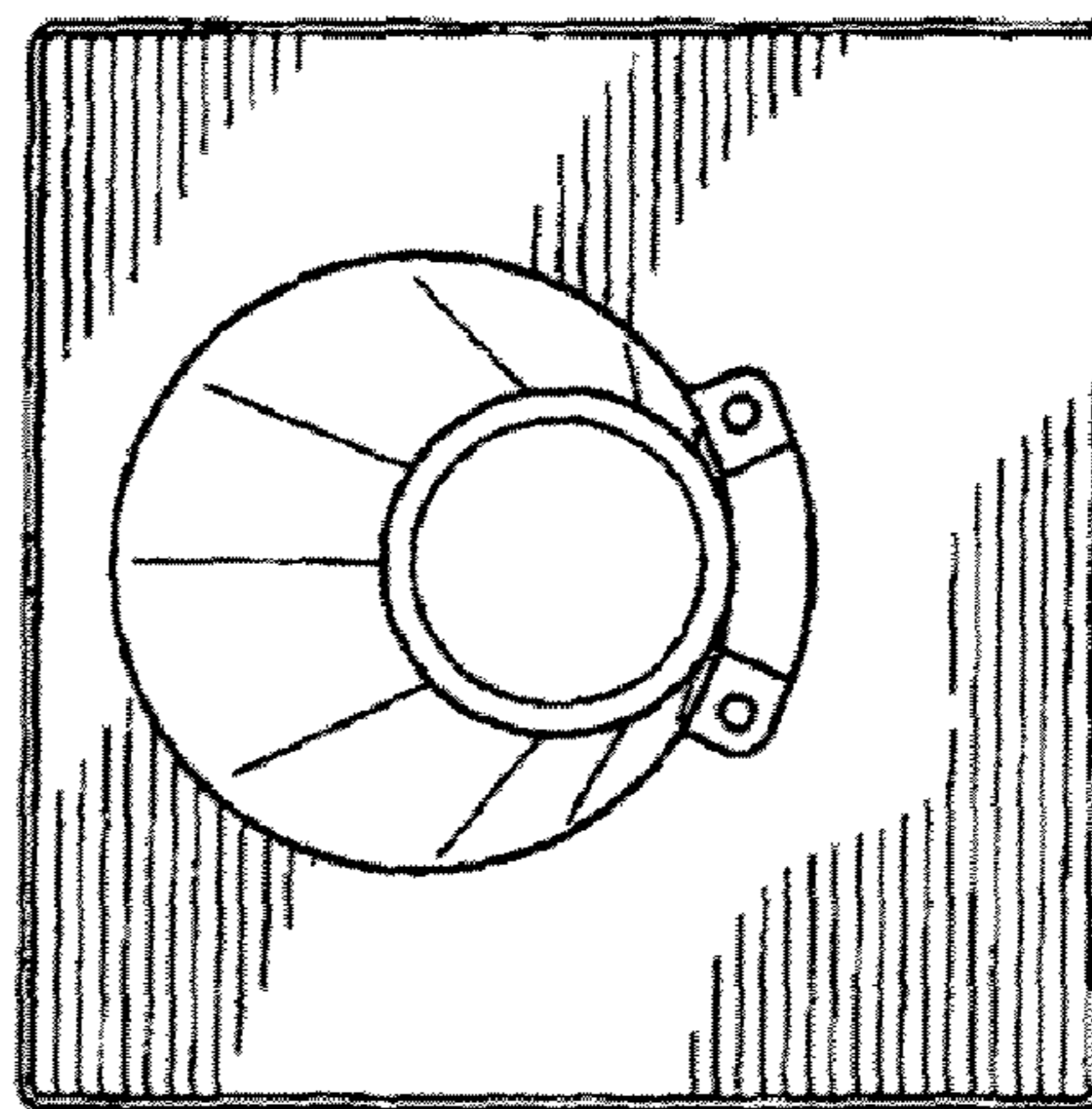


FIG. 32

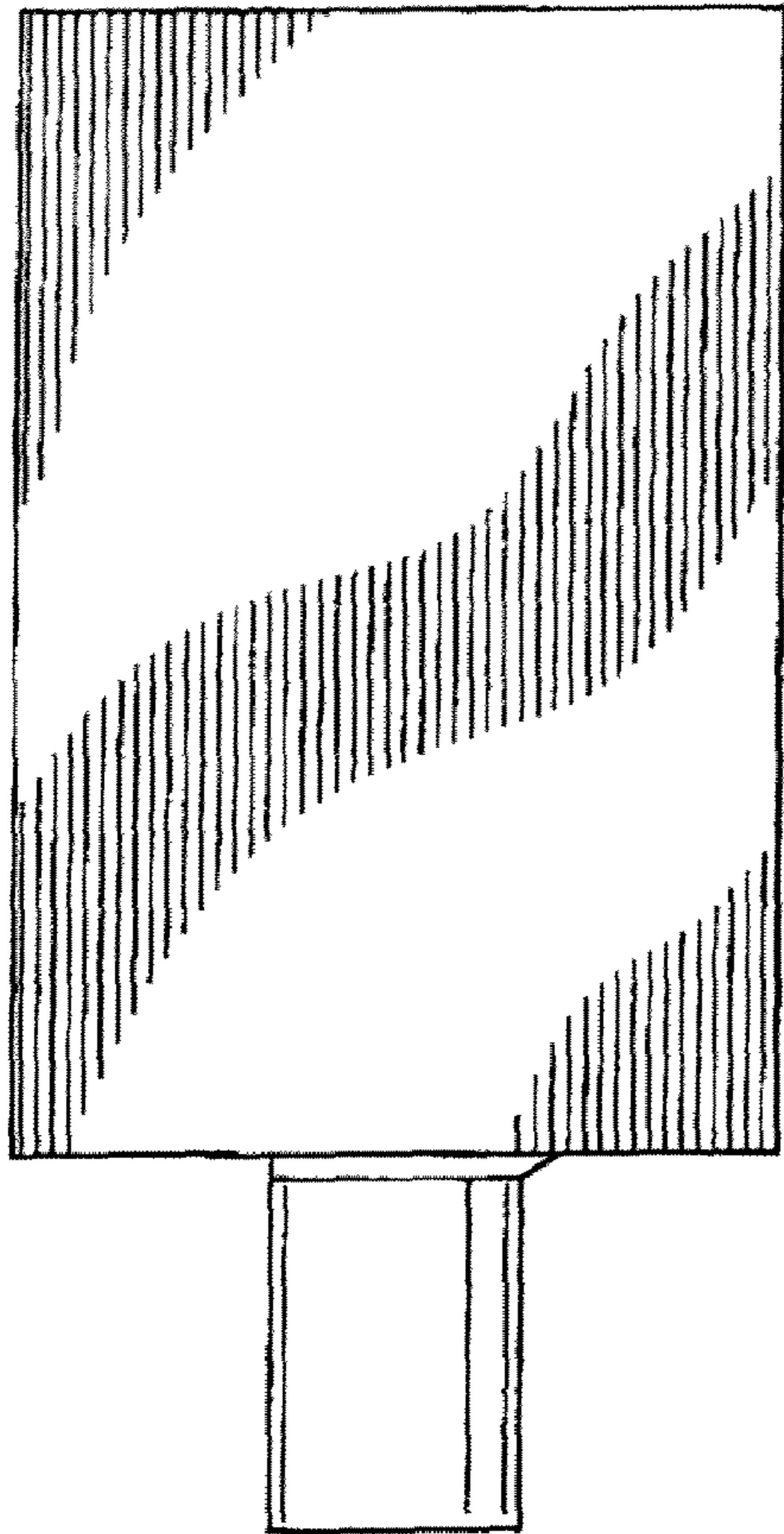


FIG. 33

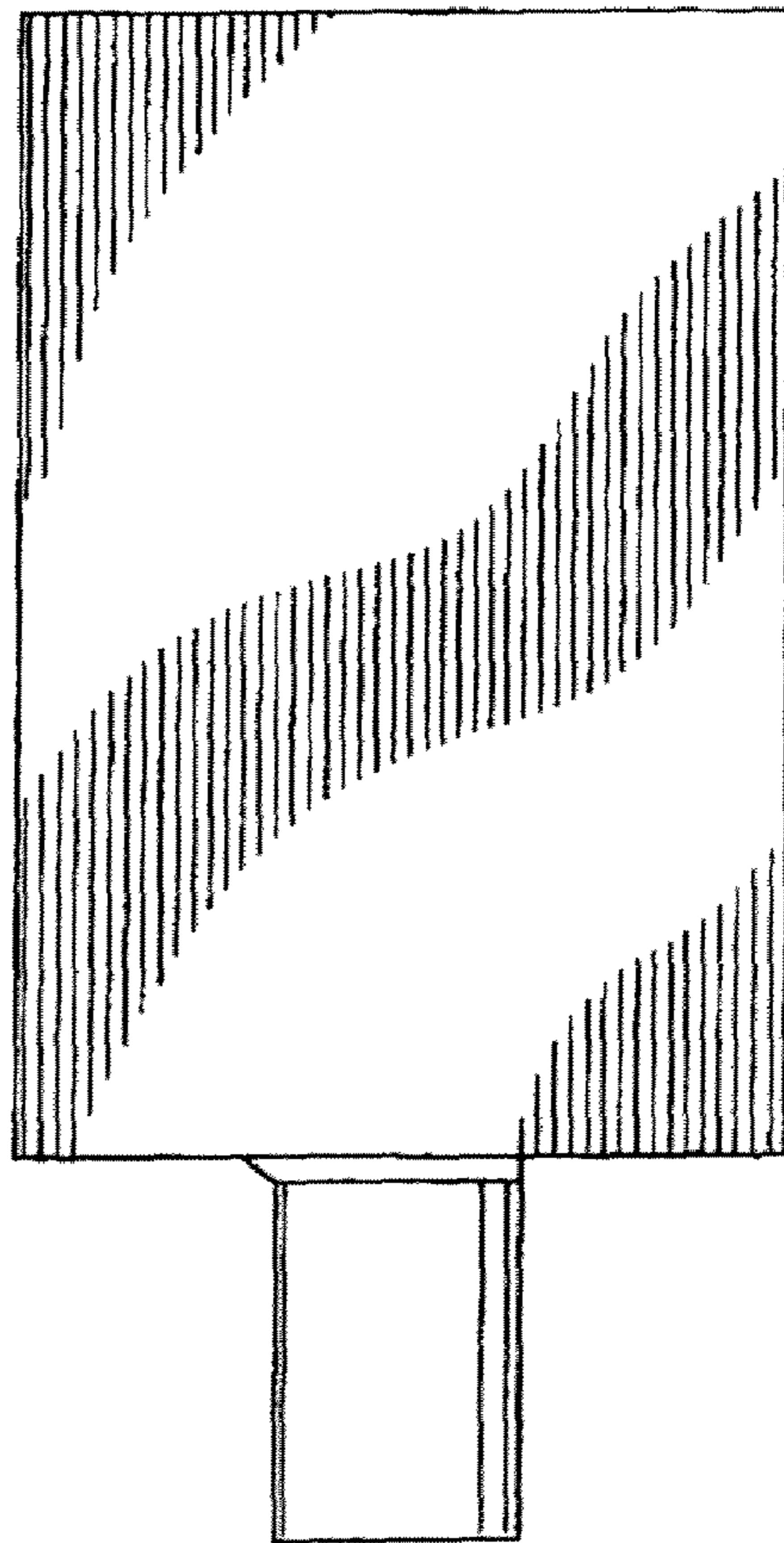


FIG. 34

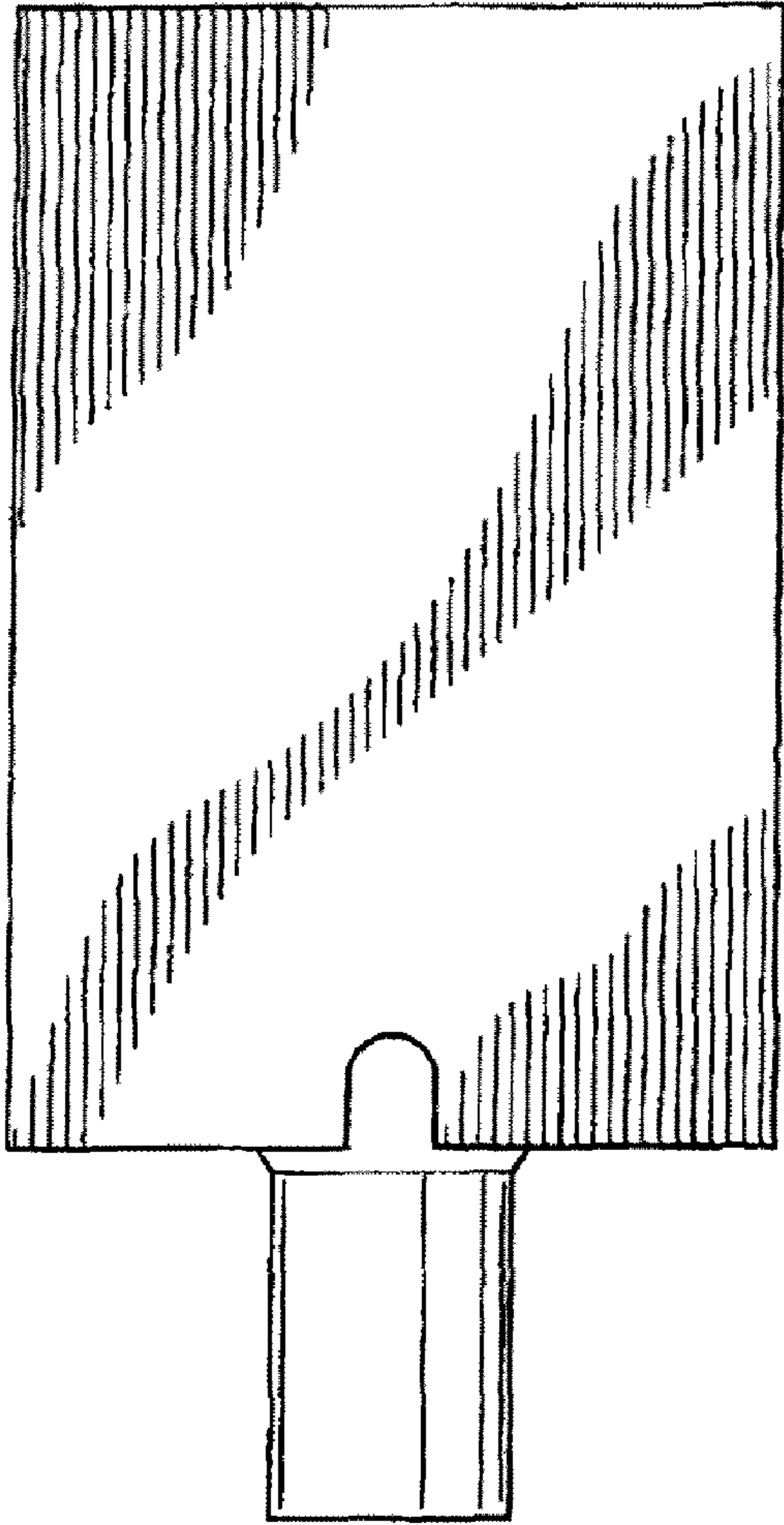


FIG. 35

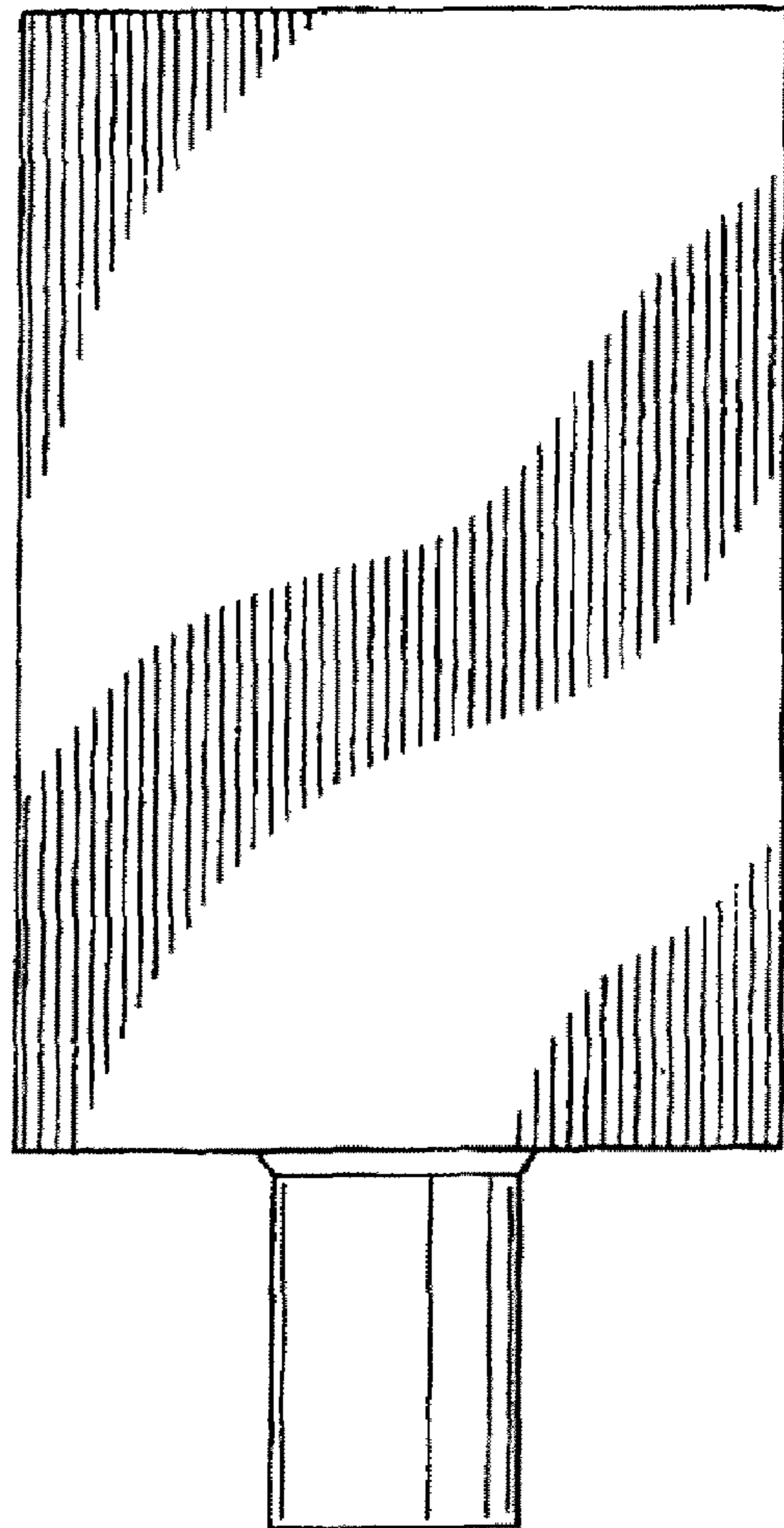


FIG. 36