



US00D637207S

(12) **United States Design Patent**  
**Alberti**

(10) **Patent No.:** **US D637,207 S**

(45) **Date of Patent:** **\*\* May 3, 2011**

(54) **INTERCOOLER**

(76) Inventor: **Thomas P. Alberti**, Franklin, WI (US)

(\*\*) Term: **14 Years**

(21) Appl. No.: **29/349,038**

(22) Filed: **Mar. 3, 2010**

(51) **LOC (9) Cl.** ..... **15-01**

(52) **U.S. Cl.** ..... **D15/5**

(58) **Field of Classification Search** ..... D15/1-6;  
123/41.33, 149; D12/163, 166

See application file for complete search history.

(56) **References Cited**

**U.S. PATENT DOCUMENTS**

D534,185 S \* 12/2006 Chan ..... D15/5  
7,290,594 B2 \* 11/2007 Chan ..... 165/67  
7,469,741 B2 \* 12/2008 Daly ..... 165/173

2005/0274502 A1 \* 12/2005 Chan ..... 165/149  
2007/0131401 A1 \* 6/2007 Daly et al. .... 165/158  
2007/0193731 A1 \* 8/2007 Lamich et al. .... 165/149  
2010/0139584 A1 \* 6/2010 Yoon et al. .... 123/41.33

\* cited by examiner

*Primary Examiner* — T. Chase Nelson

*Assistant Examiner* — Ania K Dworzecka

(57) **CLAIM**

The ornamental design for an intercooler, substantially as shown and described.

**DESCRIPTION**

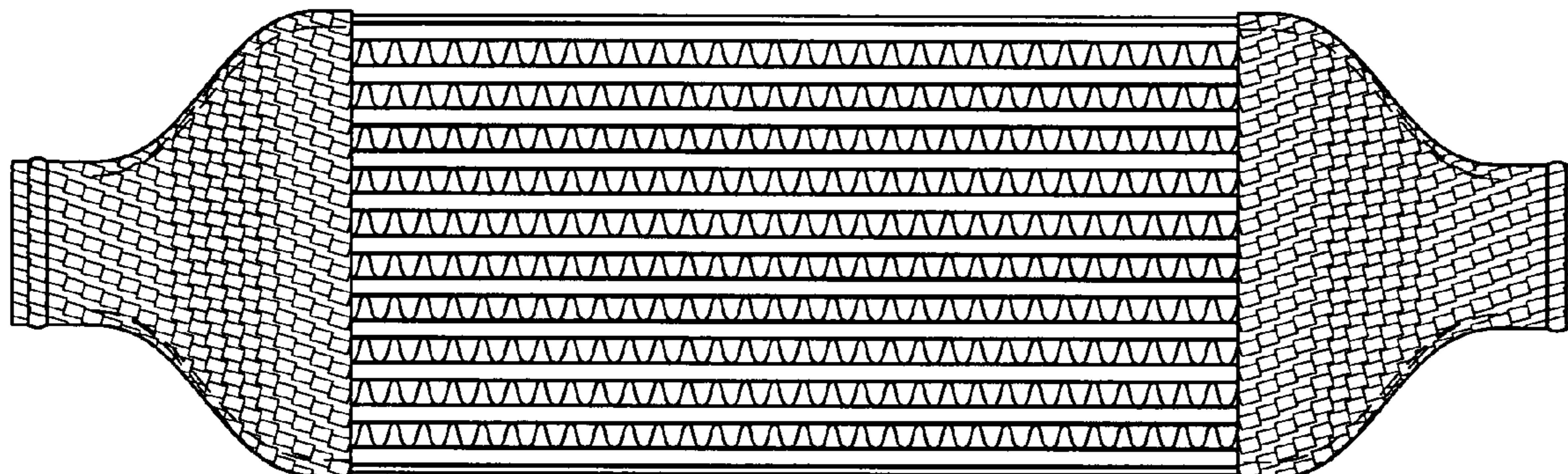
FIG. 1 is a front elevation of an intercooler according to the present invention;

FIG. 2 is a top plan view of the intercooler of FIG. 1;

FIG. 3 is an end view of the intercooler of FIG. 1; and,

FIG. 4 is a perspective view of the intercooler of FIG. 1.

**1 Claim, 4 Drawing Sheets**



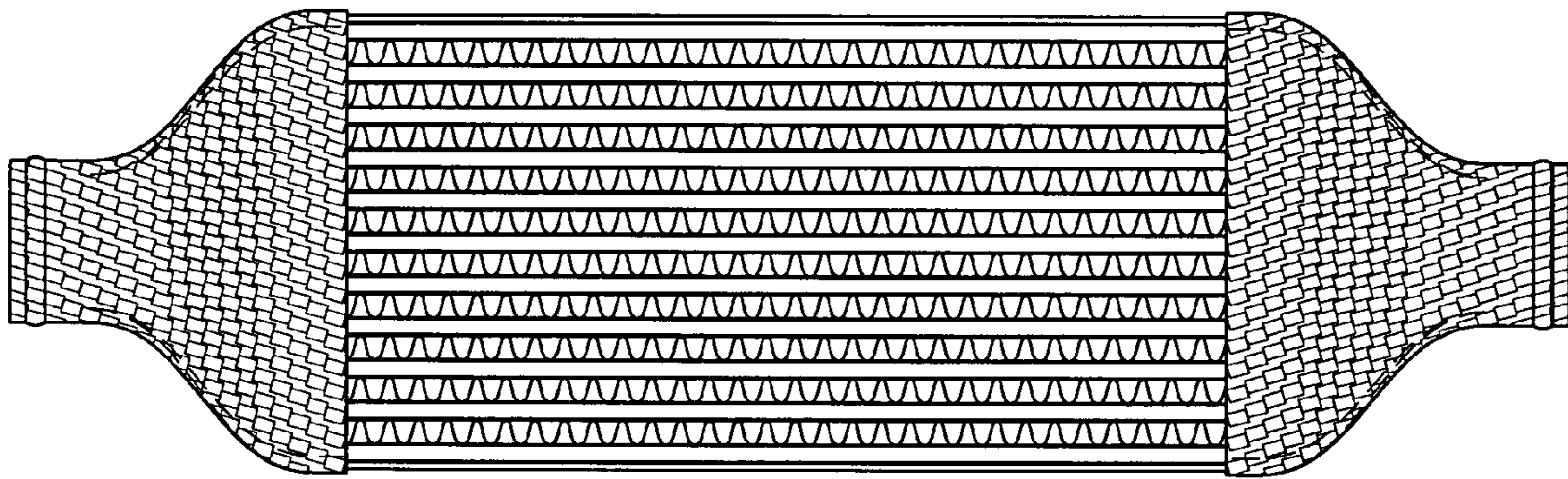


FIG. 1

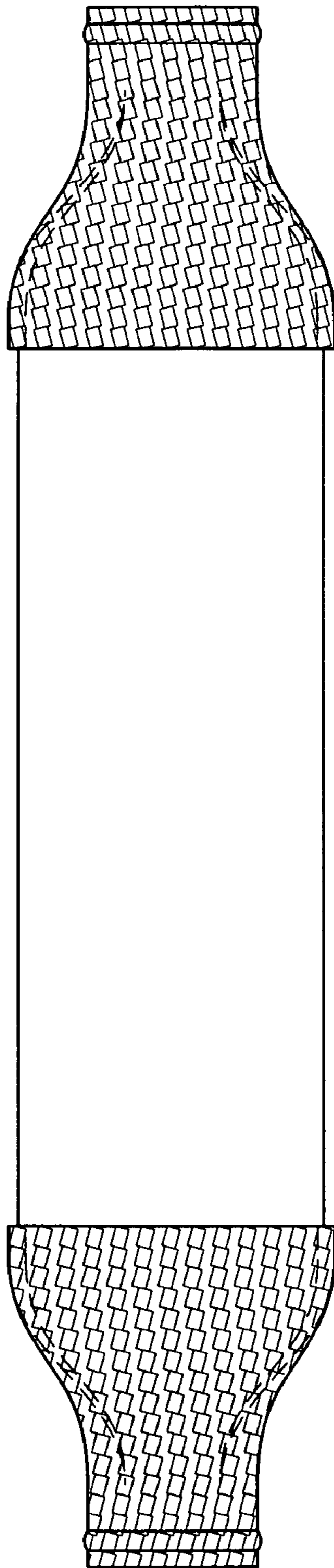
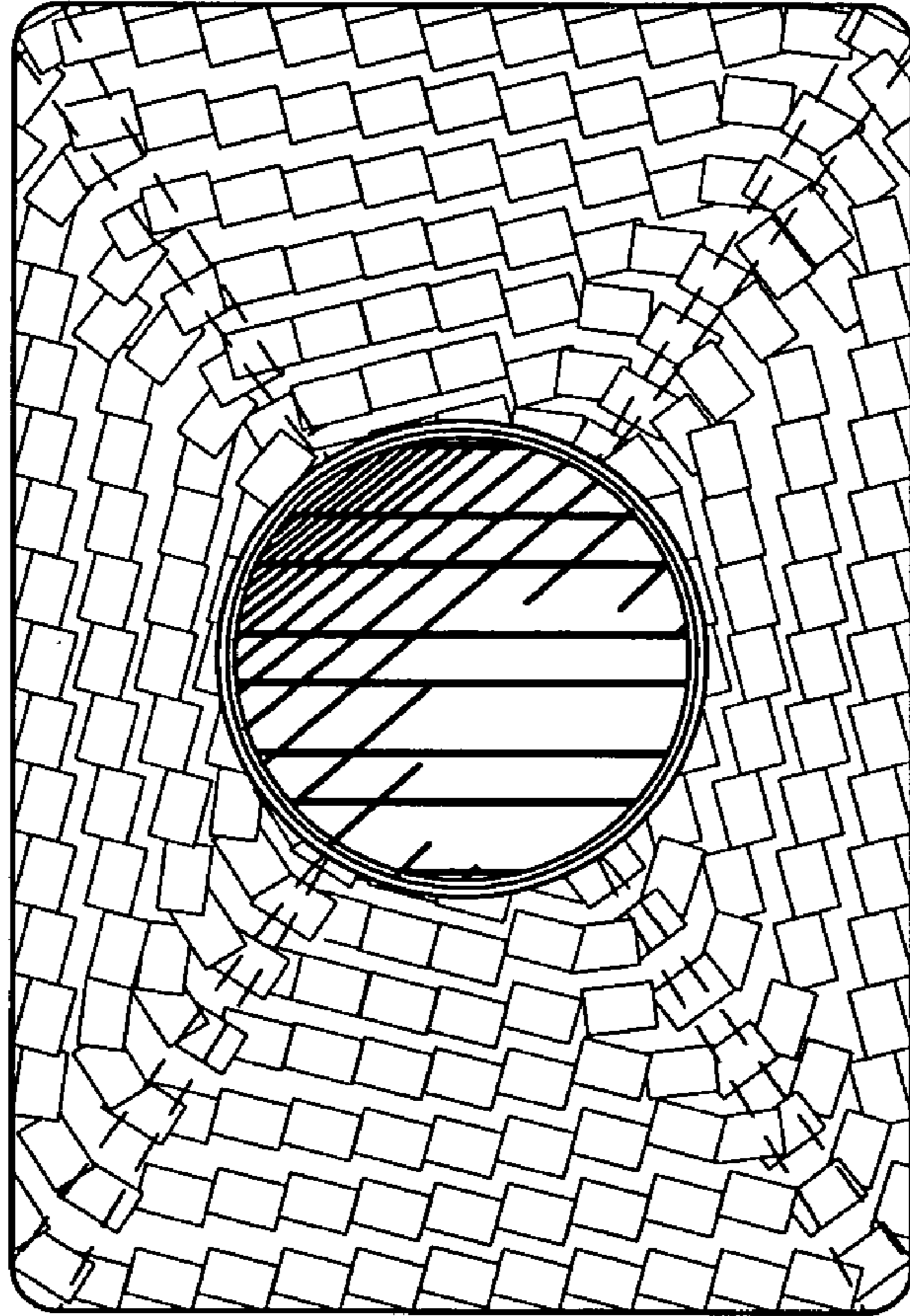


FIG. 2



**FIG. 3**

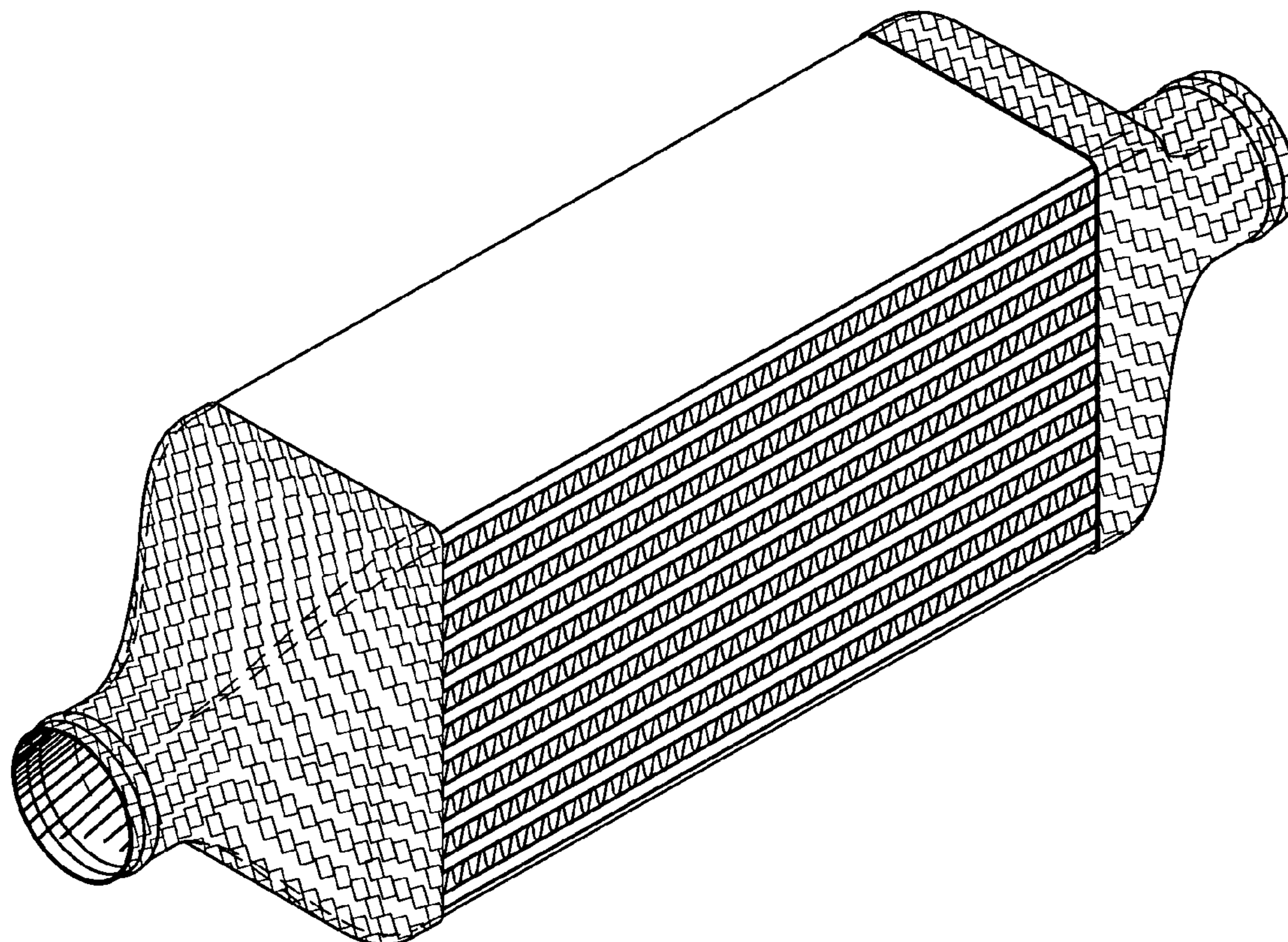


FIG. 4