



US00D637199S

(12) **United States Design Patent**
Brinda et al.

(10) **Patent No.:** **US D637,199 S**
(45) **Date of Patent:** **** May 3, 2011**

(54) **DISPLAY SCREEN WITH A GRAPHIC USER INTERFACE**

(75) Inventors: **David Brinda**, Bellevue, WA (US);
Sheng-Hsin Huang, Taoyuan County (TW)

(73) Assignee: **HTC Corporation**, Taoyuan County (TW)

(**) Term: **14 Years**

(21) Appl. No.: **29/345,005**

(22) Filed: **Oct. 7, 2009**

(51) **LOC (9) Cl.** **32-00**

(52) **U.S. Cl.** **D14/489**

(58) **Field of Classification Search** D14/485–495;
D18/26, 31–33; D20/11, 12, 23–25, 29–32,
D20/36–38; 715/700–867, 973–977
See application file for complete search history.

(56) **References Cited**

U.S. PATENT DOCUMENTS

D403,313	S	*	12/1998	Peppel	D14/486
D405,776	S	*	2/1999	Fults	D14/486
D407,698	S	*	4/1999	Alexiev	D14/489
D418,121	S	*	12/1999	Hartford et al.	D14/489
6,028,600	A	*	2/2000	Rosin et al.	715/718
D428,895	S	*	8/2000	Chatfield et al.	D14/485
D438,873	S	*	3/2001	Wang et al.	D14/486
D439,584	S	*	3/2001	Wang et al.	D14/486
D445,426	S	*	7/2001	Wang et al.	D14/486
D445,801	S	*	7/2001	Ma	D14/486
D446,790	S	*	8/2001	Wang et al.	D14/486
6,366,832	B2	*	4/2002	Lomonaco et al.	700/276
D462,695	S	*	9/2002	Nguyen Van Huong	D14/485
D492,692	S	*	7/2004	Fallon et al.	D14/486
D495,339	S	*	8/2004	Gildred	D14/486
D495,715	S	*	9/2004	Gildred	D14/486
D528,124	S	*	9/2006	Hally et al.	D14/487
D569,871	S	*	5/2008	Anastasopoulos et al.	..	D14/485
D570,358	S	*	6/2008	Anastasopoulos et al.	..	D14/485
D580,941	S	*	11/2008	Scott et al.	D14/485
D585,074	S	*	1/2009	Ismail	D14/488
D604,740	S	*	11/2009	Matheny et al.	D14/486
D607,895	S	*	1/2010	Marashi	D14/486

D621,410	S	*	8/2010	Verfuert et al.	D14/486
2005/0057529	A1	*	3/2005	Mairal Serrano	345/173
2006/0015826	A1	*	1/2006	Shiozawa et al.	715/864
2009/0228828	A1	*	9/2009	Beatty et al.	715/786
2009/0327954	A1	*	12/2009	Danton et al.	715/810
2010/0248787	A1	*	9/2010	Smuga et al.	455/566

* cited by examiner

Primary Examiner — Cathron C Brooks

Assistant Examiner — Karen E Kearney

(74) *Attorney, Agent, or Firm* — Jianq Chyun IP Office

(57) **CLAIM**

The ornamental design for a display screen with a graphic user interface, as shown and described.

DESCRIPTION

FIG. 1 is a front view of a first image in the sequence for a display screen with a graphic user interface showing an embodiment of our new design.

FIG. 2 is a front view of a second image thereof.

FIG. 3 is another front view of a first image of the first embodiment, shown with alternative unclaimed portions.

FIG. 4 is another front view of a second image of FIG. 3.

FIG. 5 is another front view of a first image of the first embodiment, shown with alternative unclaimed portions.

FIG. 6 is another front view of a second image of FIG. 5.

FIG. 7 is another front view of a first image of the first embodiment, shown with alternative unclaimed portions.

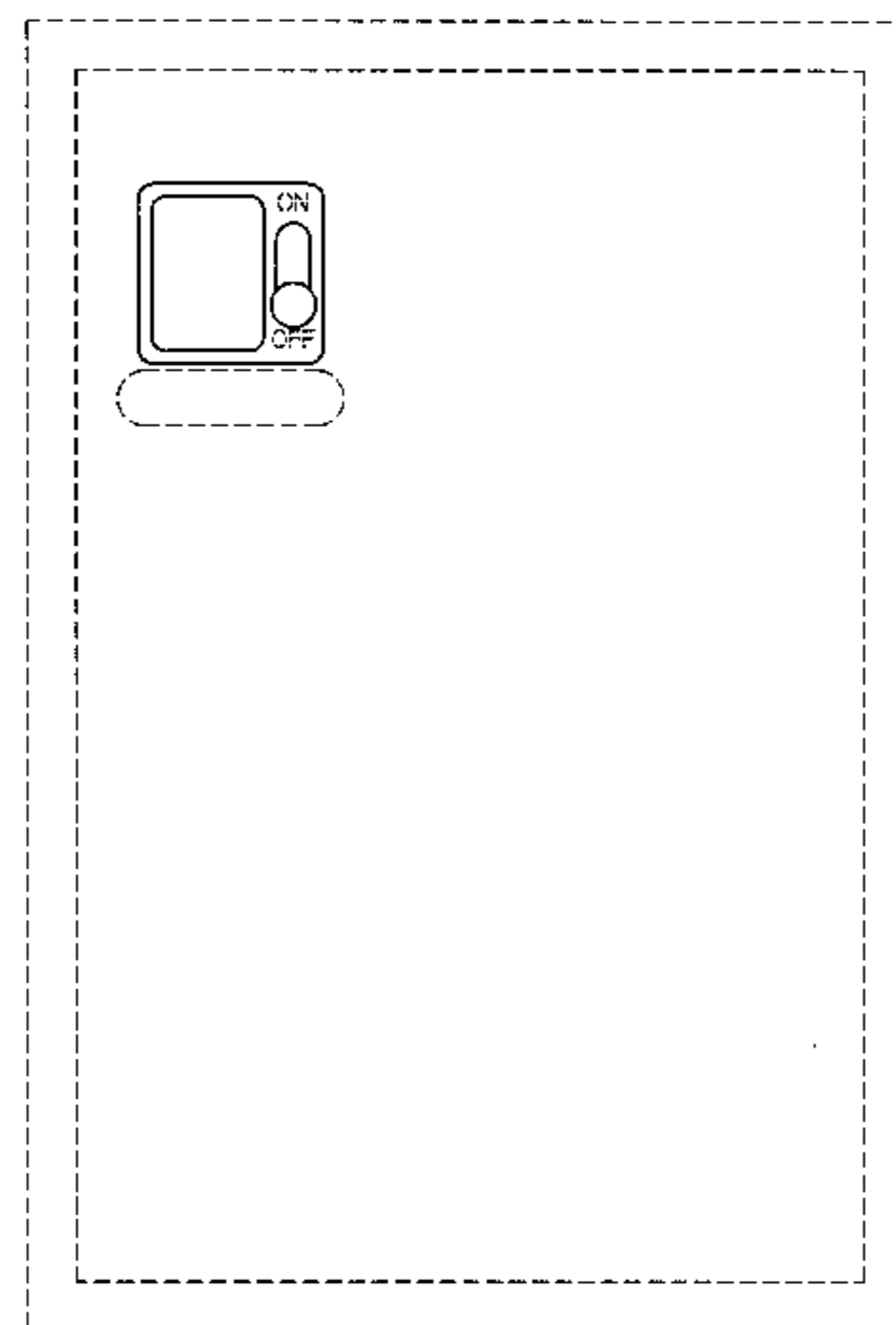
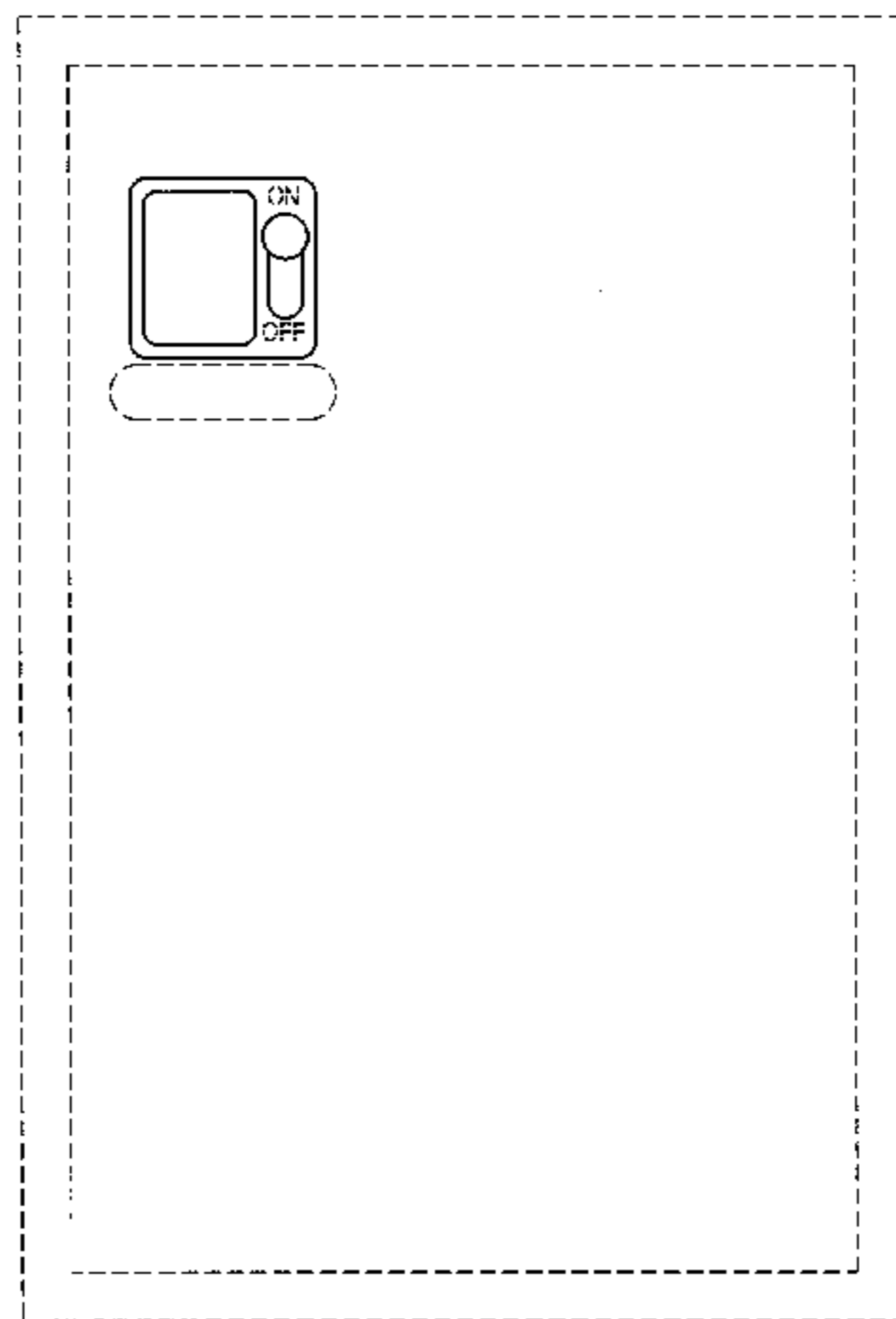
FIG. 8 is another front view of a second image of FIG. 7.

FIG. 9 is a front view of a display screen with a graphic user interface showing another embodiment of our new design; and,

FIG. 10 is a front view of an alternative configuration thereof in FIG. 9.

The broken line showings of the display screen, patterns, and characters are for the purpose of illustrating unclaimed portions of the display screen with a graphic user interface and form no part of the claimed design. The appearance of the transitional image sequentially transitions between the images shown in FIGS. 1-2, FIGS. 3-4, FIGS. 5-6, and FIGS. 7-8. The process or period in which one image transitions to another image forms no part of the claimed design.

1 Claim, 10 Drawing Sheets



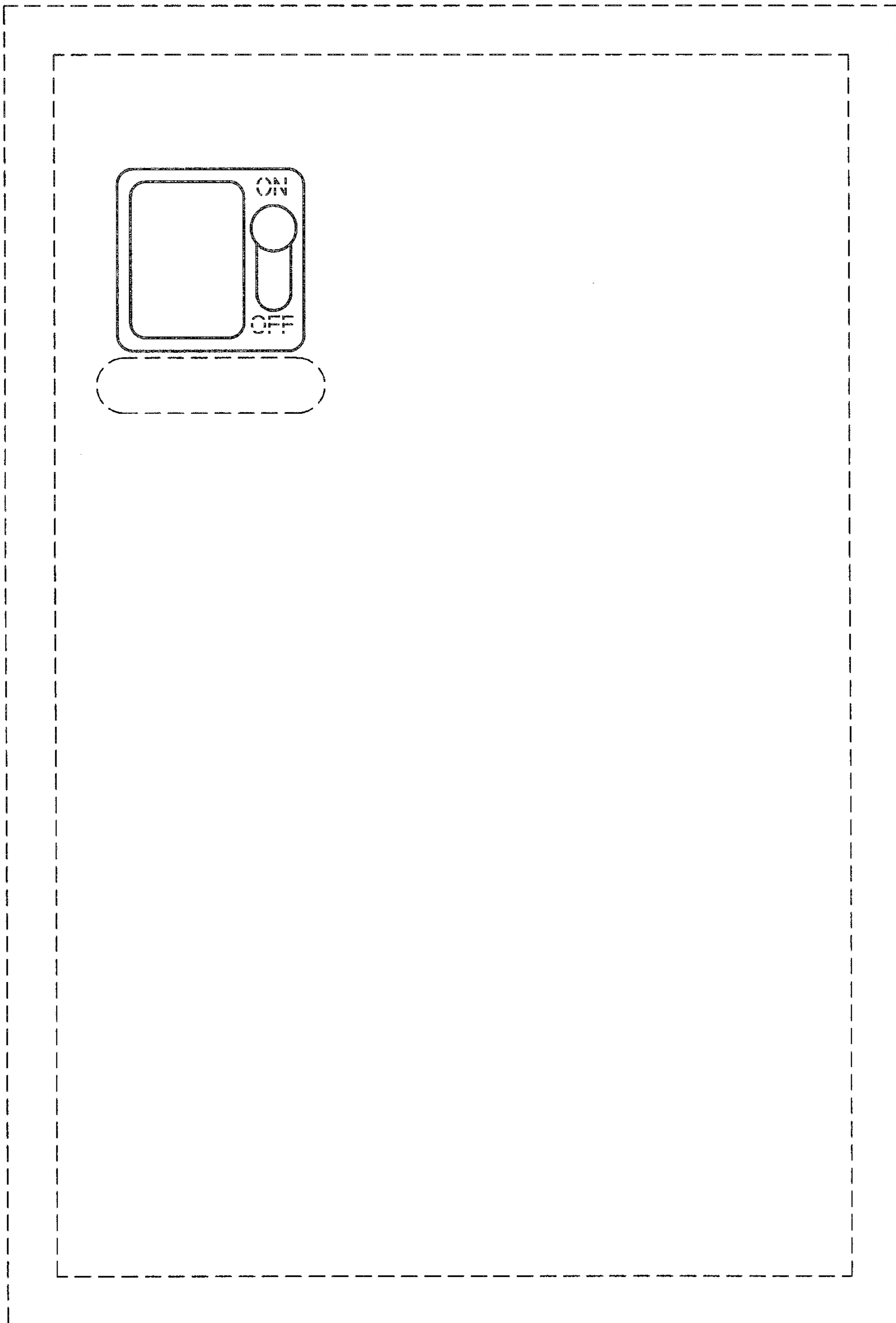


FIG. 1

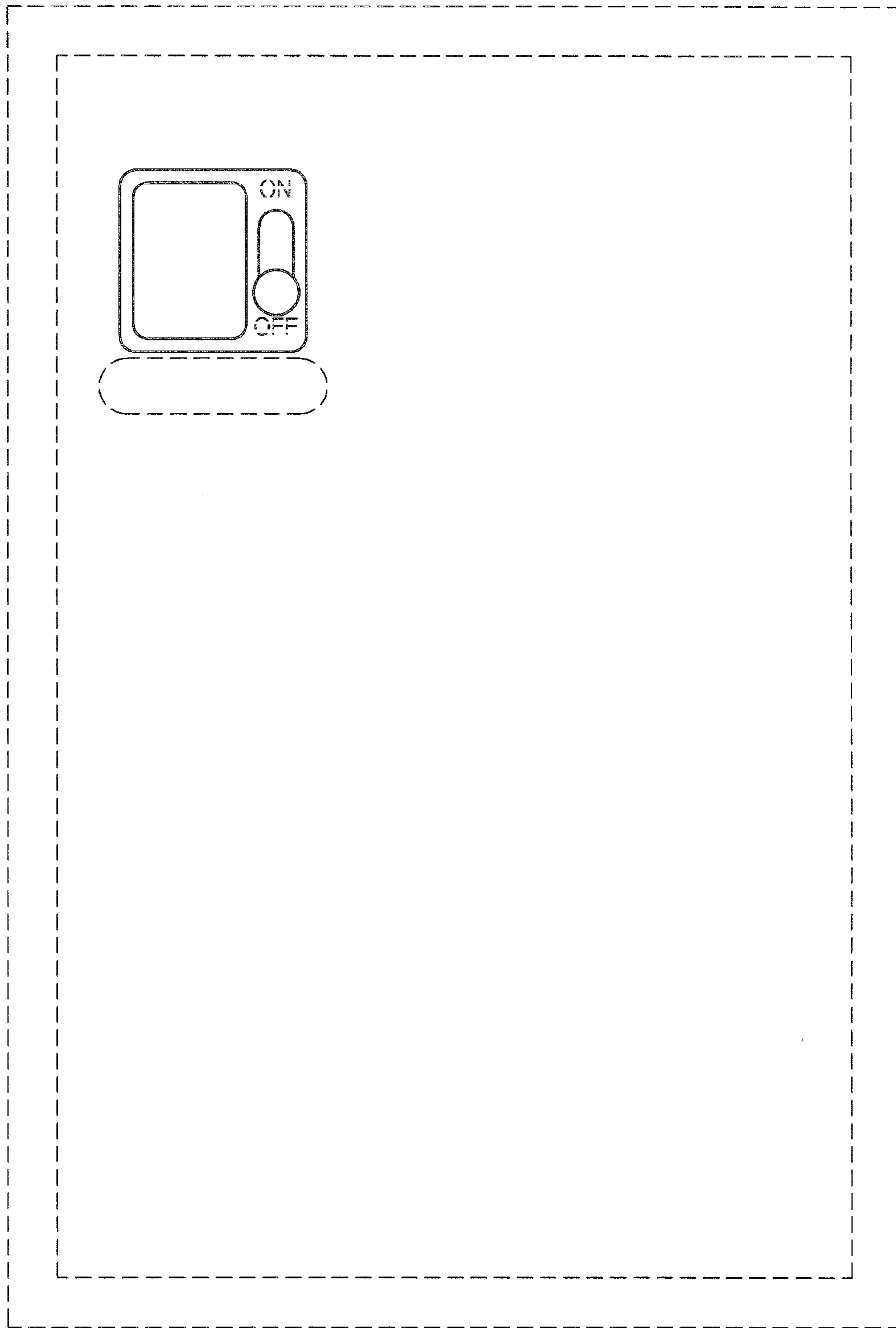


FIG. 2

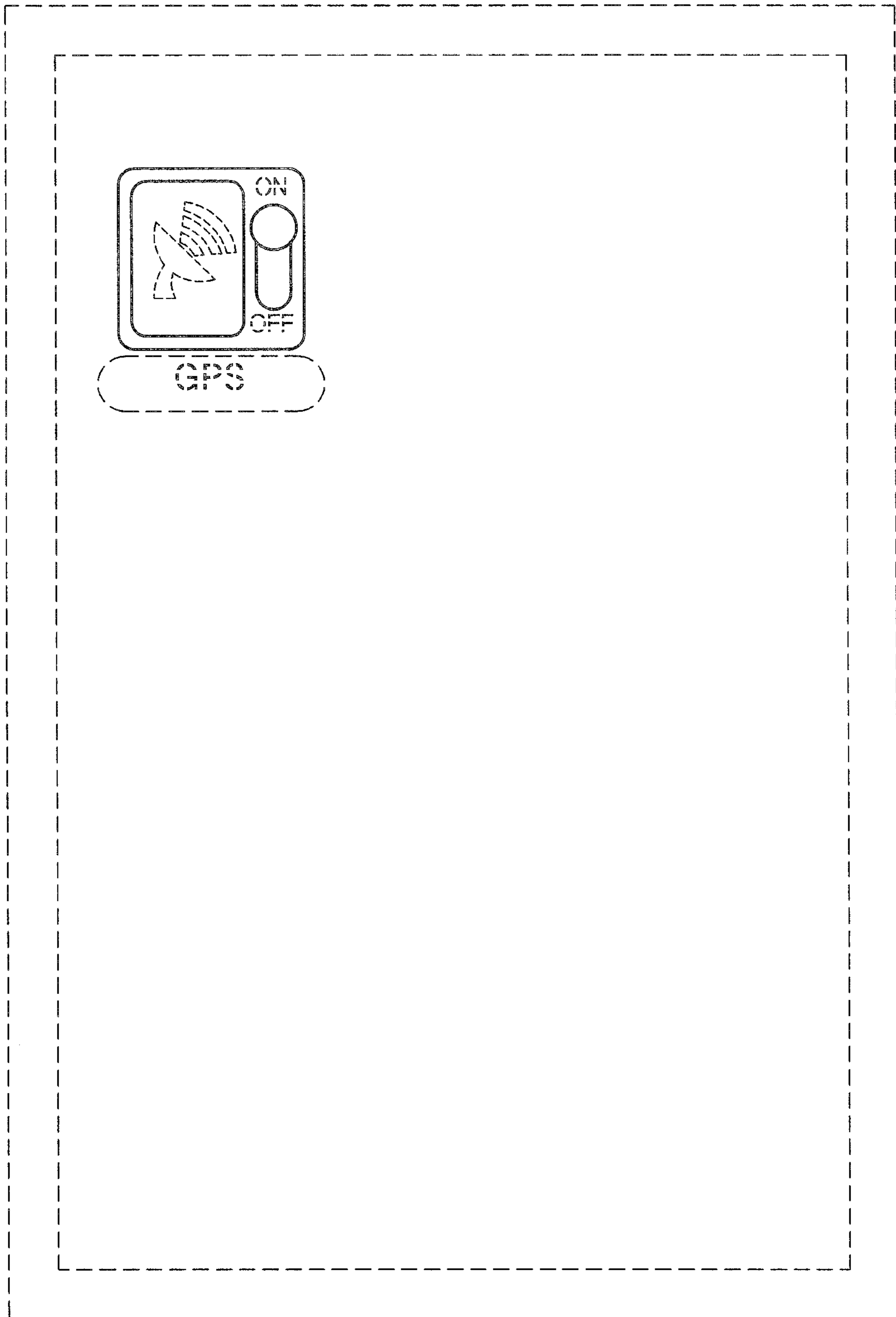


FIG. 3

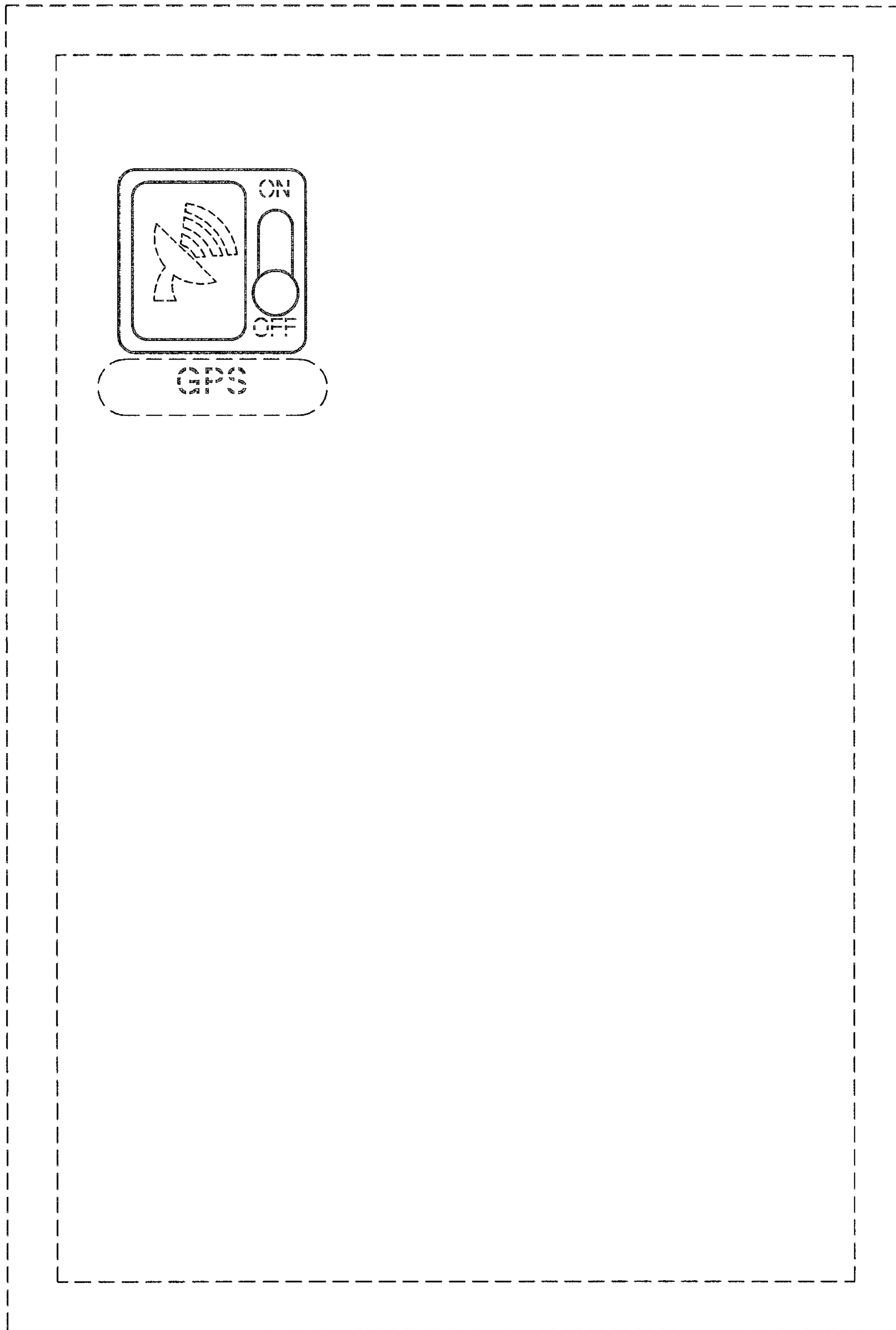


FIG. 4

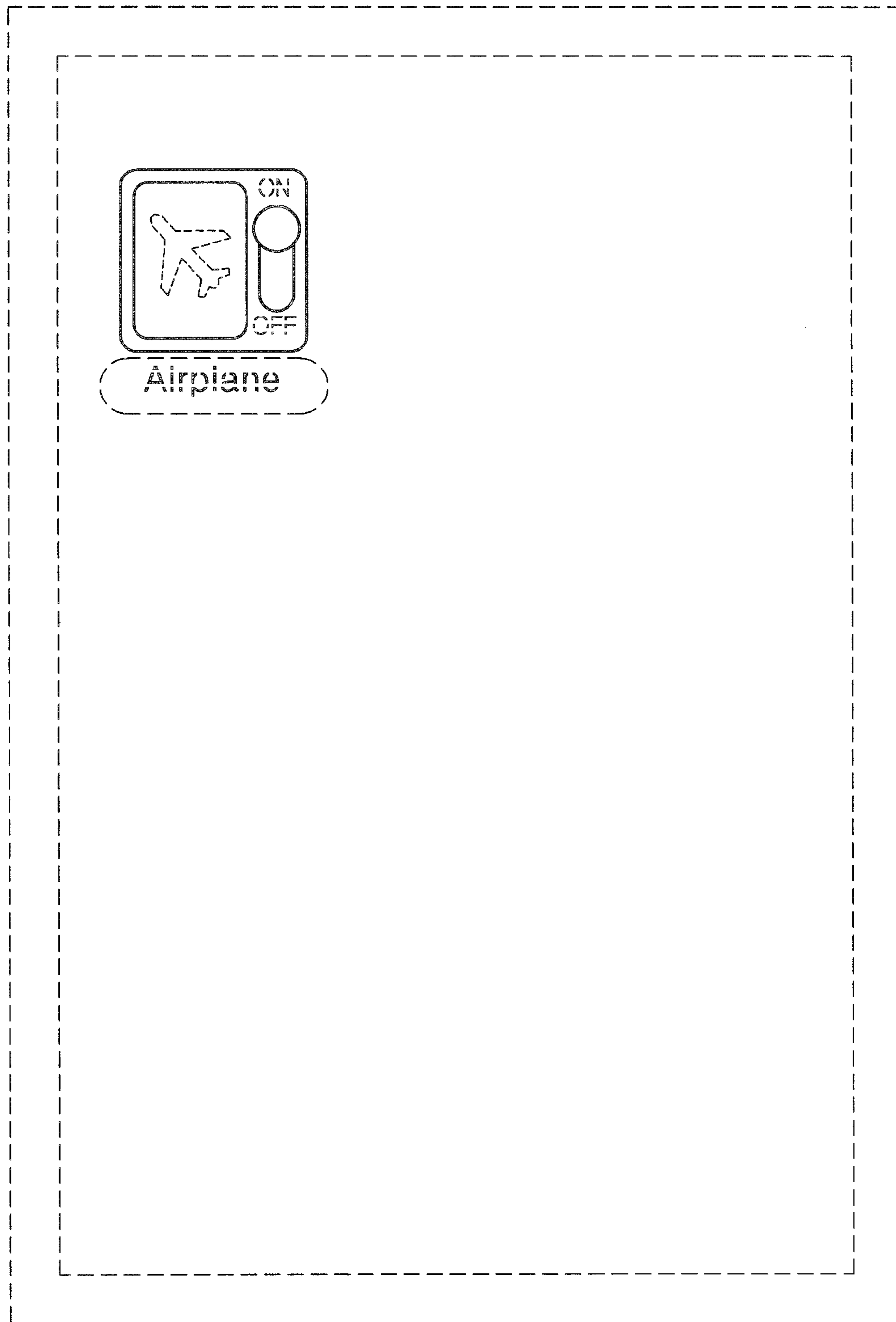


FIG. 5

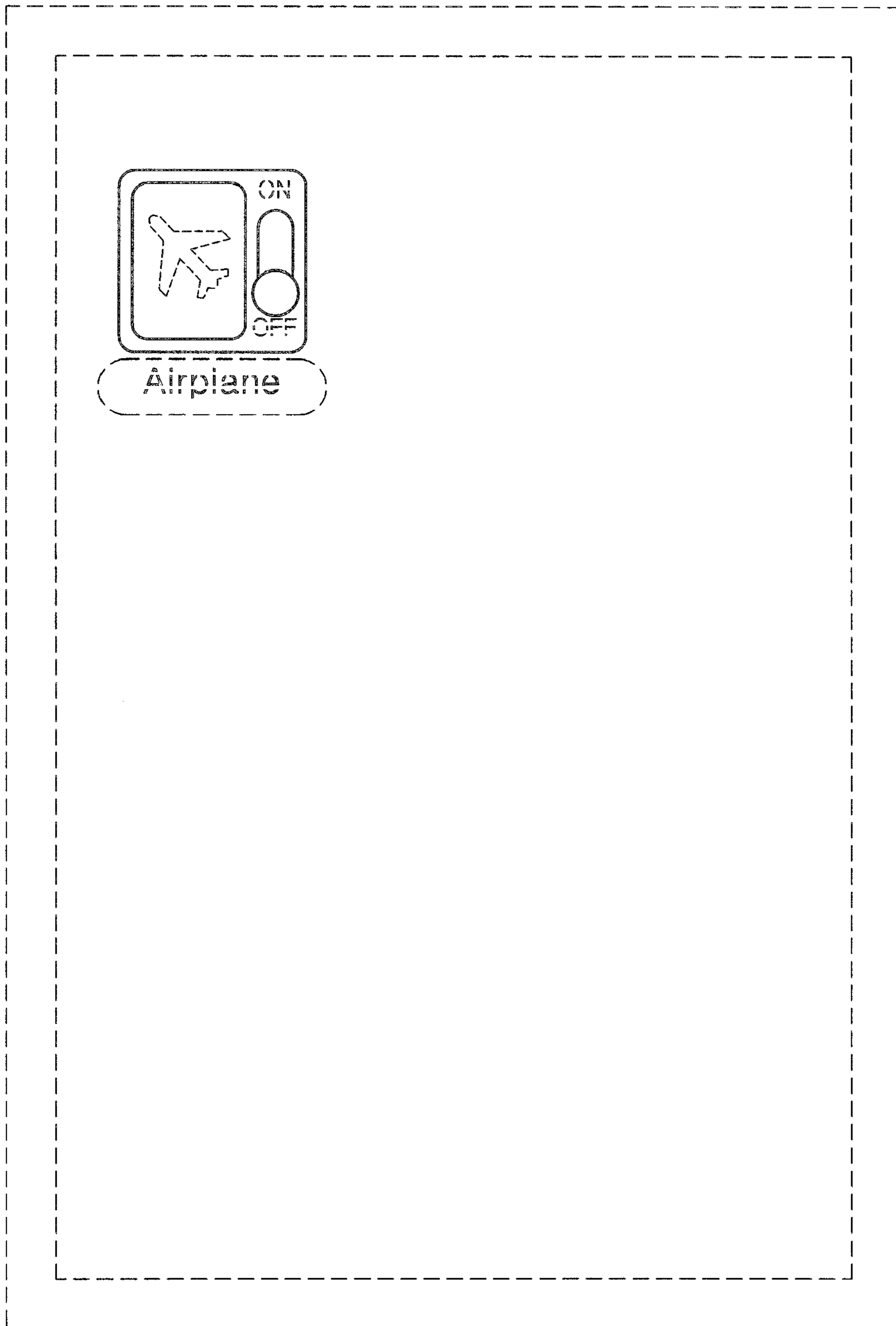


FIG. 6

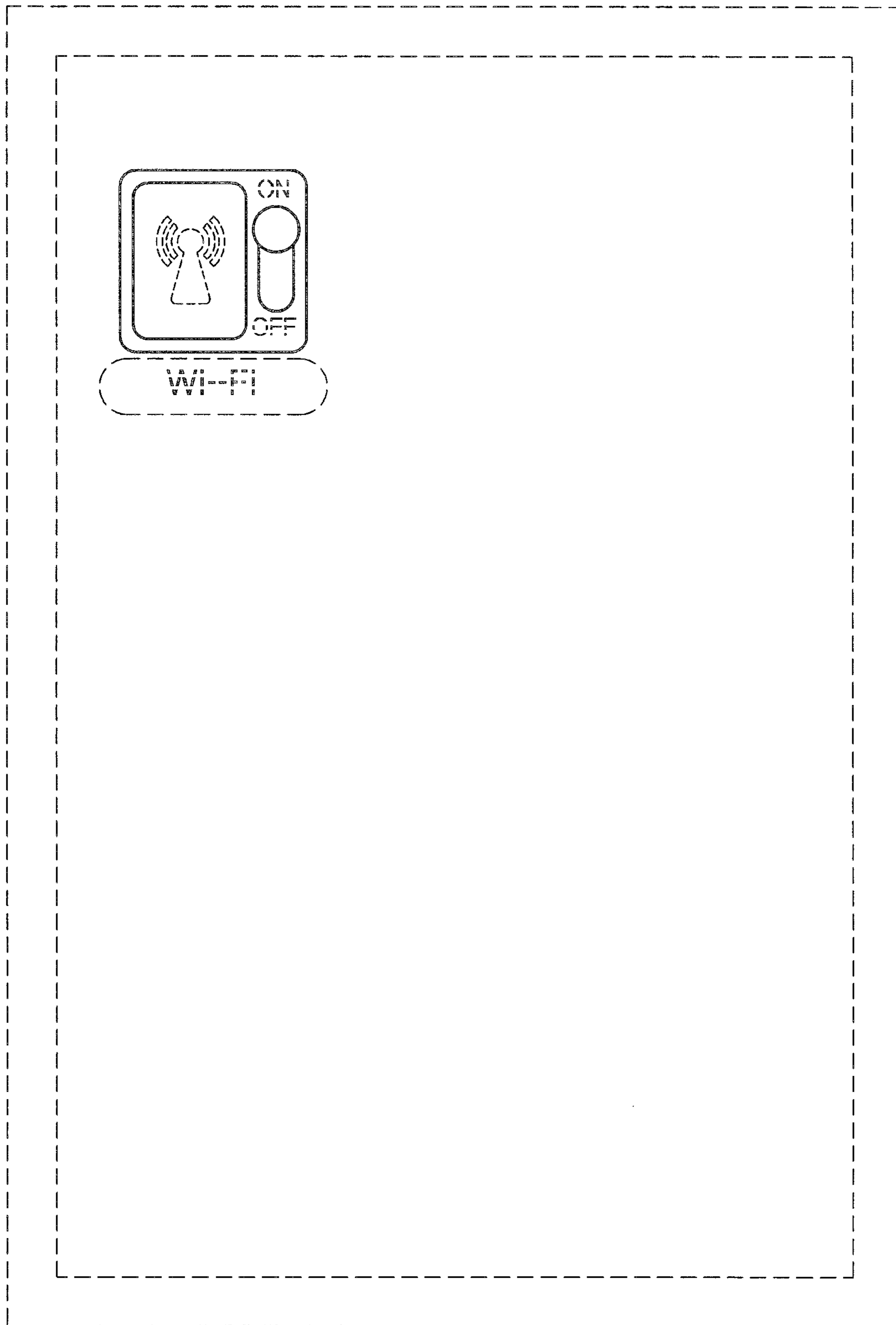


FIG. 7

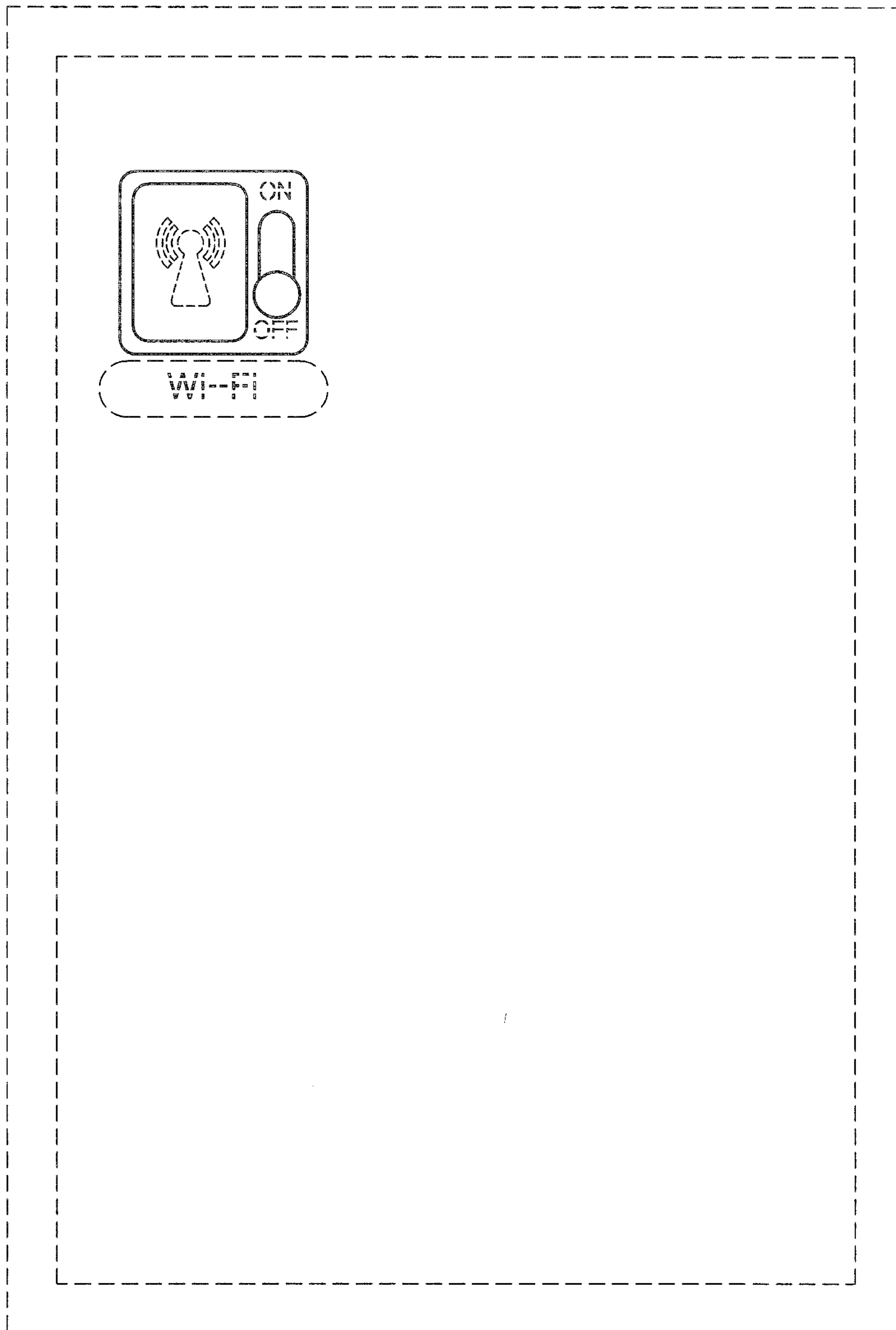


FIG. 8

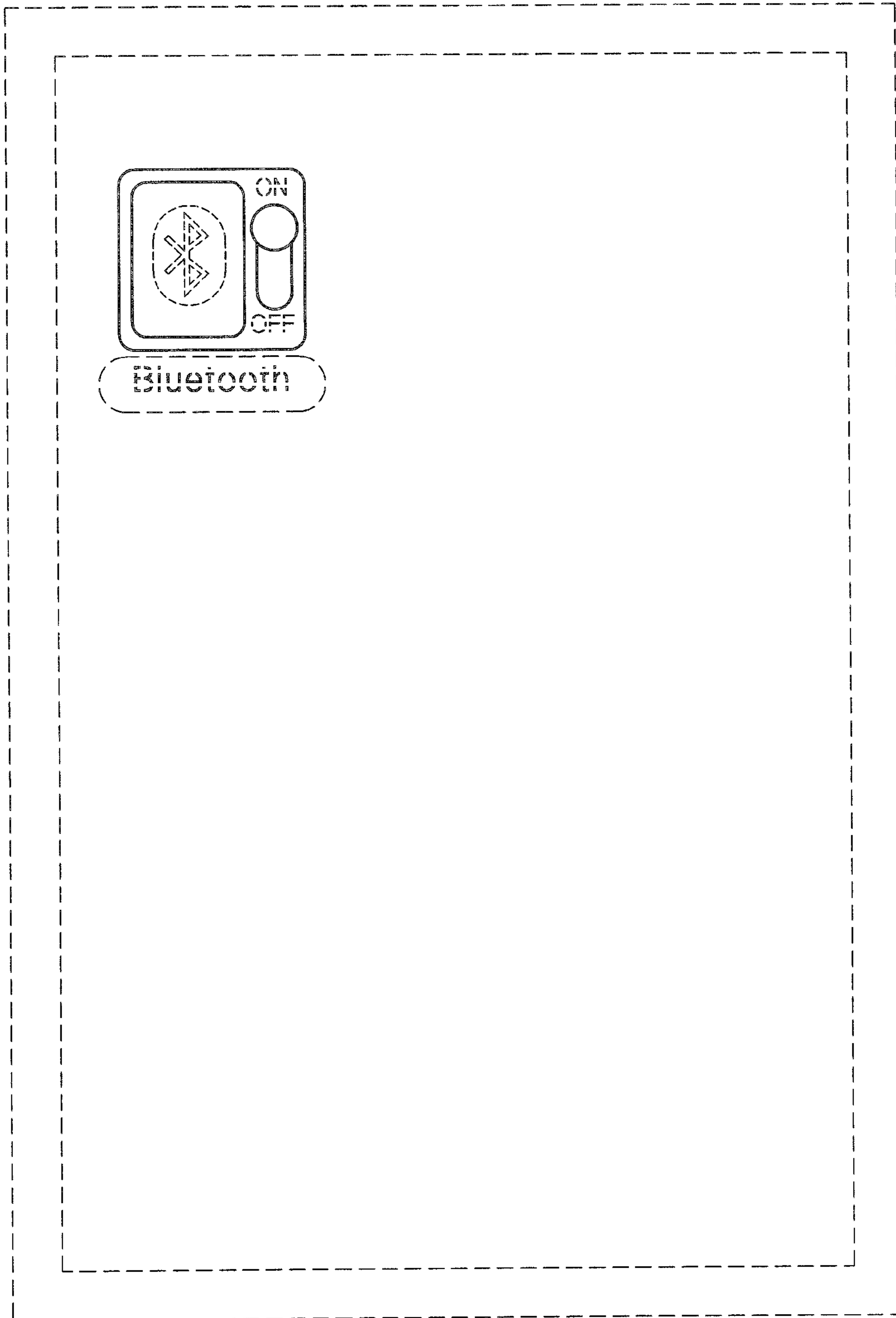


FIG. 9

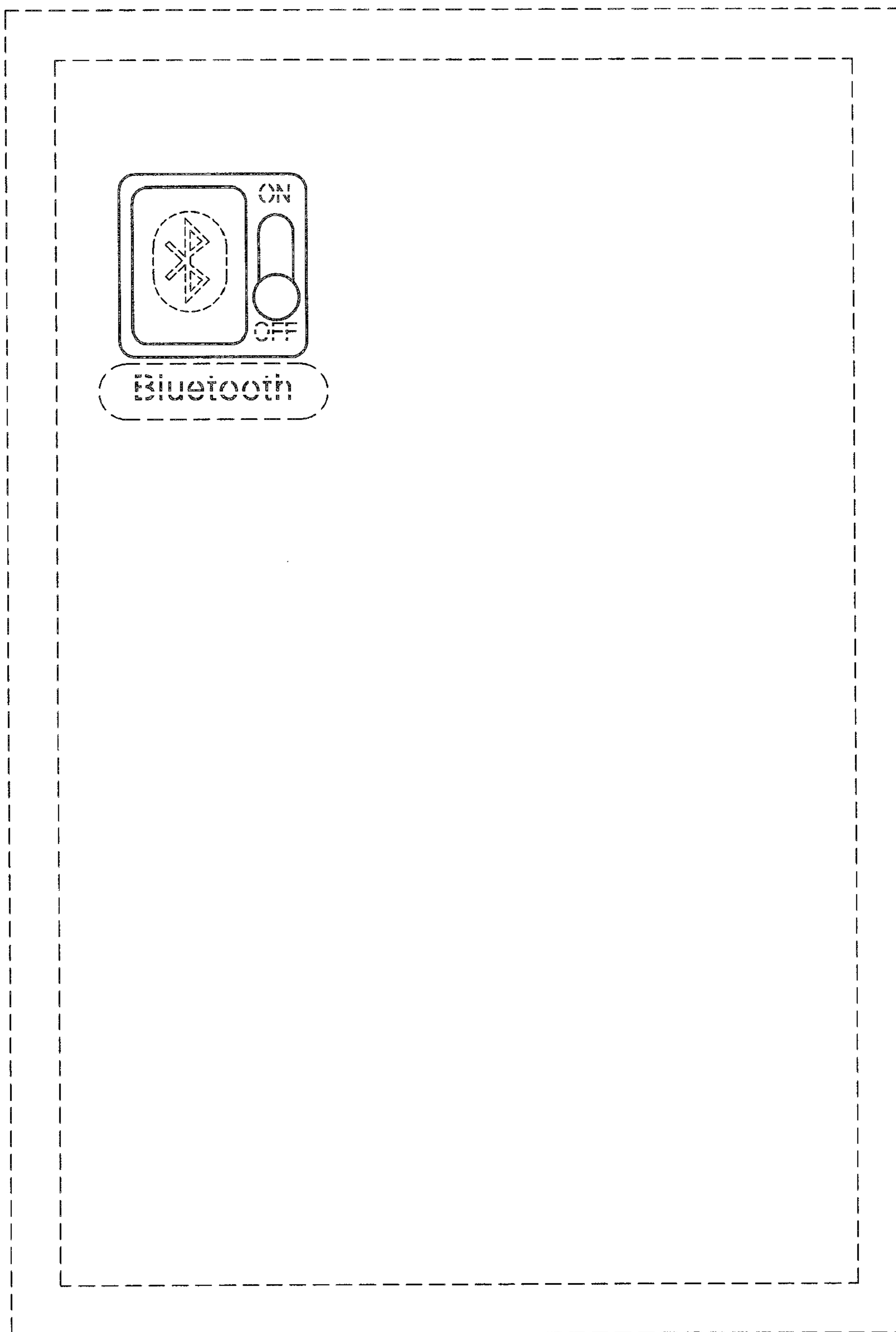


FIG. 10