



US00D637196S

(12) **United States Design Patent**
Ray et al.

(10) **Patent No.:** **US D637,196 S**
(45) **Date of Patent:** **** May 3, 2011**

(54) **DISPLAY SCREEN OF A COMMUNICATIONS TERMINAL WITH A USER INTERFACE**

(75) Inventors: **Beth A. Ray**, Oak Creek, WI (US);
Jonathan T. Moroney, Grand Haven, MI (US); **Sang Hoon Chung**, Holland, MI (US); **Dimitrios S. Papadopoulos**, Montvale, NJ (US); **Joseph M. Mueller**, Hales Corners, WI (US)

(73) Assignee: **Johnson Controls Technology Company**, Holland, MI (US)

(**) Term: **14 Years**

(21) Appl. No.: **29/345,218**

(22) Filed: **Oct. 12, 2009**

(51) **LOC (9) Cl.** **32-00**

(52) **U.S. Cl.** **D14/486**

(58) **Field of Classification Search** D14/485-495;
D18/26, 31-33; D20/11, 12, 23-25, 29-32,
D20/36-38; 715/700-867, 973-977

See application file for complete search history.

(56) **References Cited**

U.S. PATENT DOCUMENTS

D3,410 S *	3/1869	Gantz	D20/23
D9,669 S *	12/1876	Proudfit	D19/8
D346,978 S	5/1994	Giese et al.		
D394,220 S	5/1998	Morrow et al.		
5,926,179 A	7/1999	Matsuda et al.		
D416,550 S *	11/1999	Richter	D14/489
D421,966 S	3/2000	Allen et al.		
D444,817 S *	7/2001	Russell	D20/11
D445,426 S *	7/2001	Wang et al.	D14/486
D446,790 S	8/2001	Wang et al.		
D451,101 S	11/2001	Tyburski		
D451,928 S	12/2001	Van Huong		
D452,693 S *	1/2002	Mitchell	D14/492
6,348,935 B1	2/2002	Malacinski et al.		
D454,138 S	3/2002	Imamura et al.		

D454,139 S	3/2002	Feldcamp		
D455,435 S	4/2002	Cassano et al.		
D455,436 S	4/2002	Cassano et al.		
6,373,505 B1	4/2002	Bellamy et al.		
D461,822 S *	8/2002	Okuley	D14/489
D463,443 S	9/2002	Van Huong		

(Continued)

FOREIGN PATENT DOCUMENTS

EM 000765367-0001-0006 3/2007

(Continued)

OTHER PUBLICATIONS

Notice of Allowance for U.S. Appl. No. 29/345,220, dated Aug. 19, 2010, 10 pages.

(Continued)

Primary Examiner — Cathron C Brooks

Assistant Examiner — Karen E Kearney

(74) *Attorney, Agent, or Firm* — Foley & Lardner LLP

(57) **CLAIM**

We claim the ornamental design for a display screen of a communications terminal with a user interface, as shown and described.

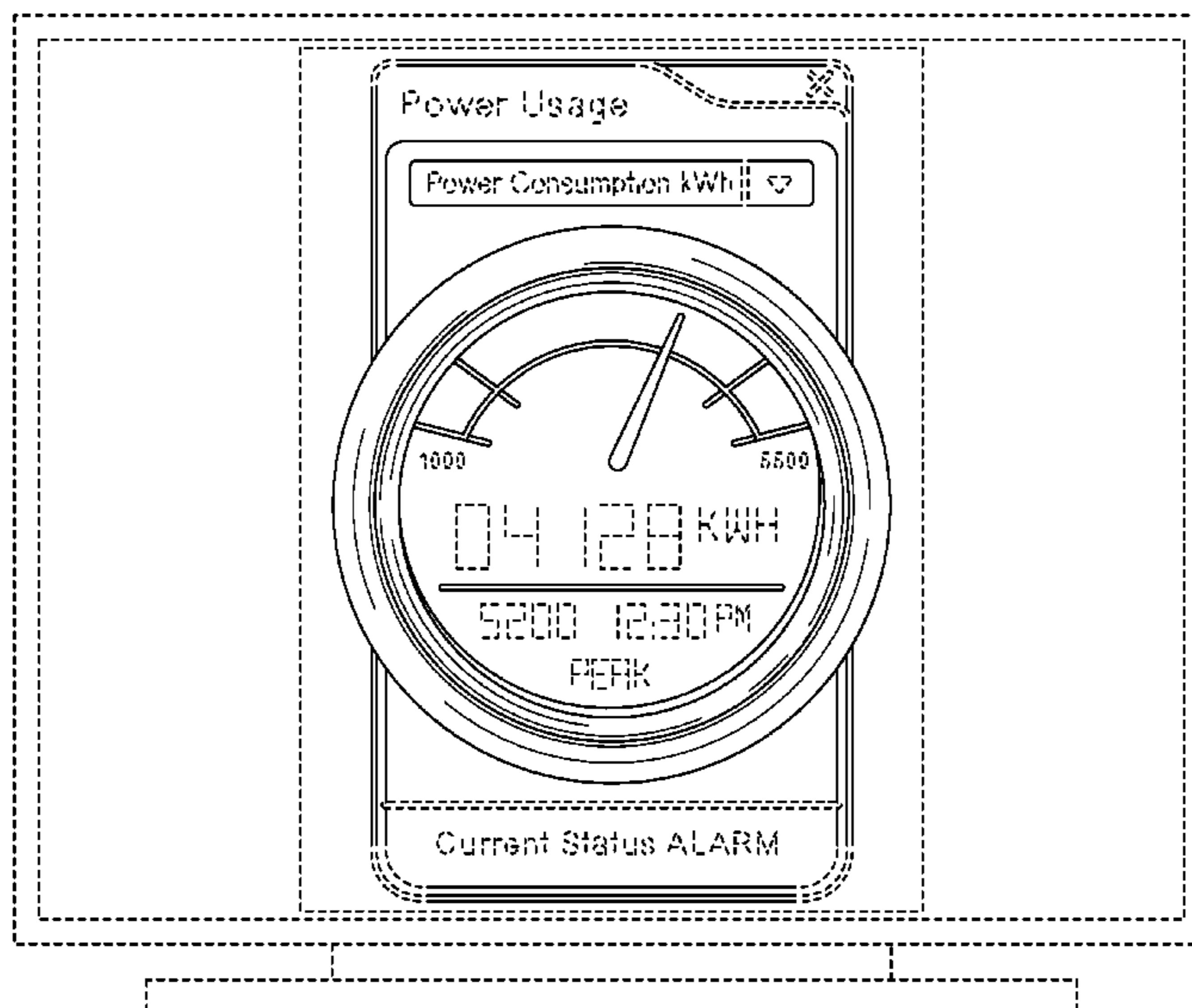
DESCRIPTION

FIG. 1 is a front view of an embodiment of a display screen of a communications terminal with a user interface showing our new design; and,

FIG. 2 is a front view of another embodiment thereof.

The broken line showings of the display screen of a communications terminal and various elements of the user interface are included for the purpose of illustrating environmental structure and unclaimed portions of the display screen of a communications terminal with a user interface and form no part of the claimed design.

1 Claim, 2 Drawing Sheets



US D637,196 S

Page 2

U.S. PATENT DOCUMENTS

D465,227 S * 11/2002 Ro et al. D14/486
D473,236 S 4/2003 Robbin et al.
D474,782 S * 5/2003 Okuley D14/489
D475,062 S 5/2003 Horie
D475,063 S 5/2003 Horie
D477,828 S 7/2003 Ferguson et al.
6,598,219 B1 7/2003 Lau
D496,337 S 9/2004 Kaizu et al.
D496,940 S * 10/2004 Fetterman D14/485
6,857,106 B1 2/2005 Brouaux
D504,440 S 4/2005 Luquet
6,943,813 B2 9/2005 Haitani et al.
D511,167 S * 11/2005 Blencowe D14/486
D522,524 S 6/2006 Rovinsky et al.
D523,440 S 6/2006 Hernandez et al.
D525,982 S * 8/2006 Suzuki D14/486
D526,654 S 8/2006 McDougall et al.
D527,011 S 8/2006 Bixler
7,086,008 B2 8/2006 Capps et al.
D527,735 S 9/2006 McDougall et al.
D527,736 S 9/2006 McDougall et al.
D528,021 S 9/2006 Hedderich et al.
D528,122 S 9/2006 Cummins et al.
D528,549 S * 9/2006 McLees et al. D14/485
D529,035 S * 9/2006 McLees et al. D14/485
7,114,126 B2 9/2006 Berger et al.
D529,506 S * 10/2006 McLees et al. D14/485
D532,874 S 11/2006 Hoernig
D533,147 S 12/2006 Chiu et al.
D535,997 S 1/2007 Cummins et al.
D538,296 S * 3/2007 Sadler et al. D14/485
7,198,393 B2 * 4/2007 Tubidis et al. 362/489
D541,810 S * 5/2007 Cummins et al. D14/487
D542,301 S * 5/2007 Harvey D14/489
D544,496 S 6/2007 Evans et al.
D546,337 S 7/2007 Wood et al.
D548,743 S 8/2007 Takahashi et al.
D549,721 S 8/2007 Ito et al.
D549,722 S * 8/2007 Ito et al. D14/488
D550,688 S 9/2007 Cummins et al.
D550,696 S * 9/2007 Kortum et al. D14/491
D552,121 S * 10/2007 Carl et al. D14/488
D553,143 S * 10/2007 Blencowe D14/486
D553,144 S * 10/2007 Blencowe D14/486
D553,145 S 10/2007 Kim
D553,147 S 10/2007 Hally et al.
D555,164 S * 11/2007 Sergio D14/486
D556,610 S 12/2007 Kautz et al.
D556,611 S * 12/2007 Kautz et al. D10/60
D563,977 S * 3/2008 Carl et al. D14/488
7,340,599 B2 3/2008 Naccache
7,346,846 B2 3/2008 Rossi, Jr. et al.
7,353,465 B2 4/2008 Callaway et al.
7,360,170 B1 4/2008 Giormov et al.
D569,871 S 5/2008 Anastasopoulos et al.
7,380,214 B1 5/2008 Giormov
D570,358 S 6/2008 Anastasopoulos et al.

D570,367 S 6/2008 Sadler et al.
D571,819 S 6/2008 Scott et al.
D571,820 S 6/2008 Scott et al.
D573,153 S * 7/2008 Roever et al. D14/488
D575,296 S 8/2008 Fairfield et al.
D577,364 S 9/2008 Flynt et al.
D577,366 S 9/2008 Flynt et al.
D578,133 S 10/2008 Jasinski
D579,020 S 10/2008 Aliaga
D582,426 S 12/2008 Chen et al.
D585,453 S 1/2009 Chen et al.
7,496,472 B2 * 2/2009 Seem 702/181
D589,526 S 3/2009 Taylor et al.
D593,110 S 5/2009 Danton
D593,120 S 5/2009 Bouchard et al.
D594,013 S 6/2009 Singh et al.
D594,014 S 6/2009 Taylor et al.
D594,015 S 6/2009 Singh et al.
D602,037 S * 10/2009 Nash et al. D14/486
D605,657 S 12/2009 Danton
D607,007 S * 12/2009 Kocmick D14/489
7,669,545 B2 * 3/2010 Fournier 116/288
D614,663 S 4/2010 Chen et al.
7,747,611 B1 * 6/2010 Milic-Frayling et al. 707/722
D623,658 S * 9/2010 Fitzmaurice et al. D14/489
D624,933 S * 10/2010 Fitzmaurice et al. D14/489
D625,327 S * 10/2010 Fitzmaurice et al. D14/489
D625,328 S * 10/2010 Fitzmaurice et al. D14/489
D626,143 S * 10/2010 Karten et al. D14/491
2004/0032420 A1 2/2004 Allen et al.
2006/0074586 A1 4/2006 Kautz et al.
2006/0289465 A1 * 12/2006 Balk et al. 219/506
2007/0252684 A1 * 11/2007 Fournier et al. 340/441
2008/0086703 A1 4/2008 Flynt et al.
2009/0121853 A1 * 5/2009 Eich et al. 340/438

FOREIGN PATENT DOCUMENTS

EM 000971734-0001-0002 8/2008
EM 000971726-0001 9/2008
EM 000975206-0001-0002 9/2008
JP 1359179 4/2009
JP 1359208 4/2009

OTHER PUBLICATIONS

FR-H1/T1 Room Sensor for Humidity and Temperature, Siemens Building Technologies, Landis & Staefa Division, © Nov. 1998
Siemens Building Technologies Ltd., CA1N1856E, 5 pages.
German Patent Search Report for application No. 102004059730.8, mailed Mar. 15, 2006, 3 pages.
Screen Shots maintained by inventive team, believed to be available by Sep. 11, 2006, 25 pages.
U.S. Appl. No. 12/549,312, filed Aug. 27, 2009, Park.
U.S. Appl. No. 29/345,219, filed Oct. 12, 2009, Ray et al.
U.S. Appl. No. 29/345,220, filed Oct. 12, 2009, Ray et al.
U.S. Appl. No. 29/345,221, filed Oct. 12, 2009, Herman et al.

* cited by examiner

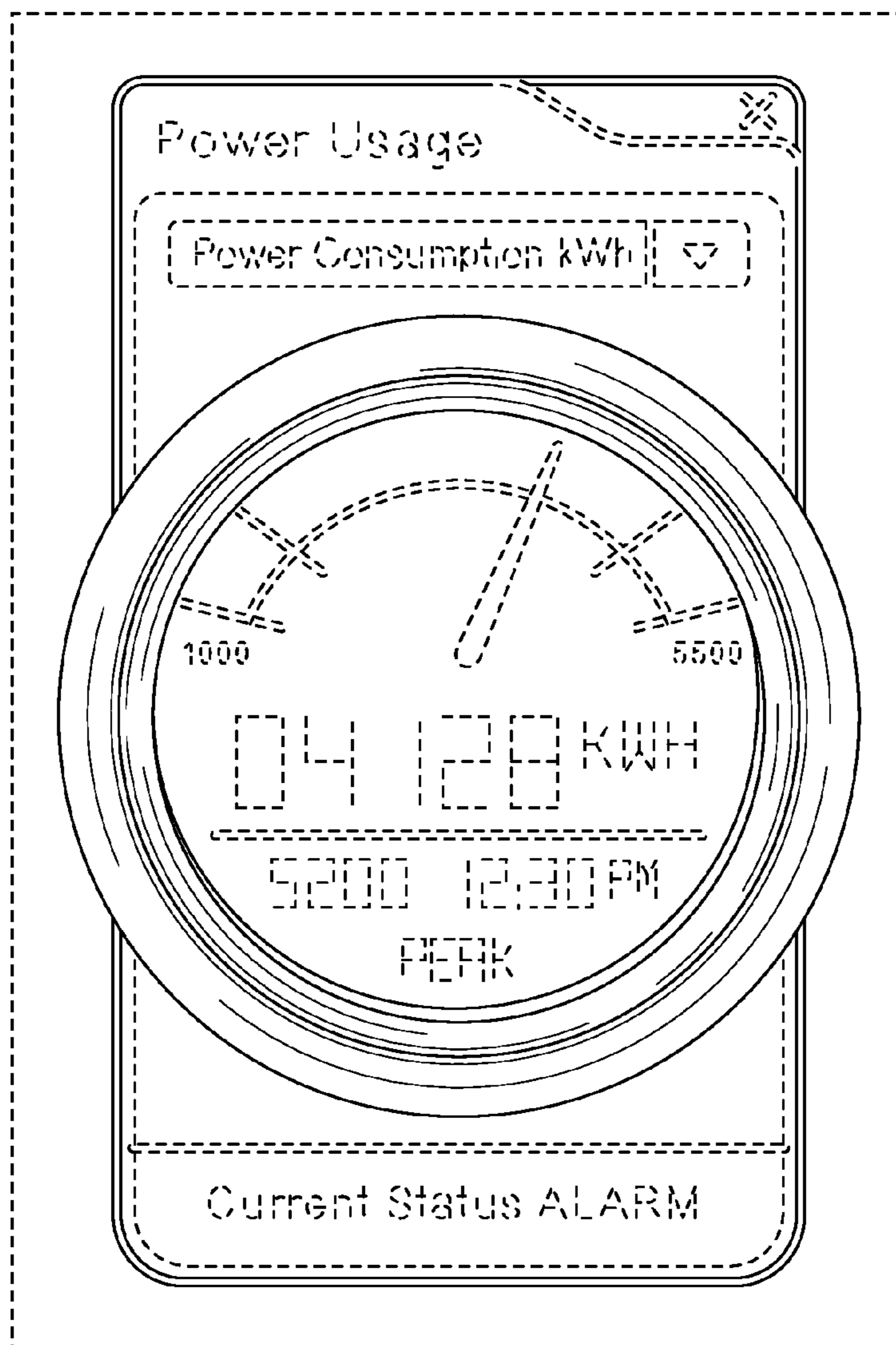


FIG. 1

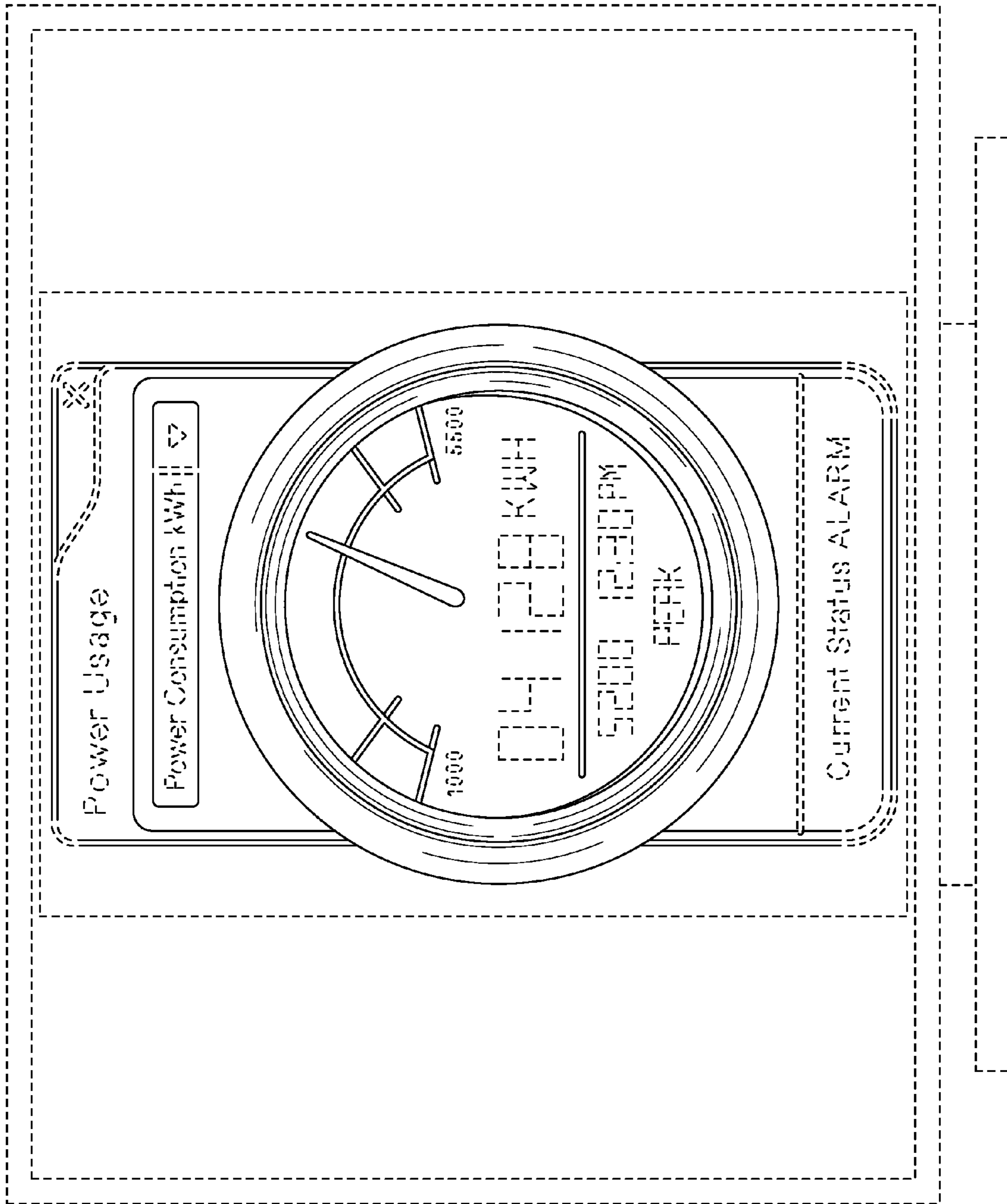


FIG. 2