



US00D637195S

(12) **United States Design Patent**  
**Stammers et al.**

(10) **Patent No.:** **US D637,195 S**

(45) **Date of Patent:** **\*\* May 3, 2011**

(54) **CLEAR PANEL WITH LIGHTED BORDER  
FOR A DIGITAL DISPLAY MONITOR**

(76) Inventors: **Christopher David Stammers,**  
Merseyside (GB); **Robert Harry Brady,**  
Cheshire (GB)

(\*\*) Term: **14 Years**

(21) Appl. No.: **29/327,962**

(22) Filed: **Nov. 15, 2008**

(51) **LOC (9) Cl.** ..... **14-02**

(52) **U.S. Cl.** ..... **D14/450**

(58) **Field of Classification Search** ..... D14/448,  
D14/449, 450, 451, 452, 432, 439, 440, 305,  
D14/306, 307, 336, 339, 340, 356, 371, 372,  
D14/373, 374, 375, 376, 377, 378, 379, 380,  
D14/381, 382, 125, 126, 127, 128, 129, 239;  
D6/300, 308; D3/218, 271.2; D19/26, 27,  
D19/32, 33; 348/794, 832; 361/679.21;  
248/917, 918, 919, 920, 921, 922, 923, 924,  
248/442.2; 345/32, 609, 738; 349/58; 206/320;  
40/765, 771

See application file for complete search history.

(56) **References Cited**

**U.S. PATENT DOCUMENTS**

D224,877 S *	10/1972	Fendrick	.....	D6/300
D345,379 S *	3/1994	Chan	.....	D20/40
D388,077 S *	12/1997	Starck	.....	D14/126
D418,984 S *	1/2000	Koconis	.....	D6/314
D433,573 S *	11/2000	Rochon	.....	D6/308
D458,237 S *	6/2002	Niitsu	.....	D14/126
D489,071 S *	4/2004	Nishioka et al.	.....	D14/448
D489,072 S *	4/2004	Nishioka et al.	.....	D14/448
D489,073 S *	4/2004	Nishioka et al.	.....	D14/448
D489,074 S *	4/2004	Nishioka et al.	.....	D14/448
D518,300 S *	4/2006	Dele-Ogunrinde	.....	D6/301
D539,763 S *	4/2007	Yamada	.....	D14/126

D552,357 S *	10/2007	Fu	.....	D6/300
D556,203 S *	11/2007	Lee	.....	D14/439
D559,555 S *	1/2008	Mischel et al.	.....	D6/300
D572,676 S *	7/2008	Niitsu	.....	D14/126
D575,531 S *	8/2008	Paterson	.....	D6/300
D580,926 S *	11/2008	McCarty et al.	.....	D14/307
D601,353 S *	10/2009	Sadler et al.	.....	D6/308
D605,193 S *	12/2009	Andre et al.	.....	D14/336
D609,705 S *	2/2010	Andre et al.	.....	D14/374
D613,338 S *	4/2010	Marukos	.....	D20/10
D615,508 S *	5/2010	Kumano	.....	D14/126
D615,542 S *	5/2010	Oikawa et al.	.....	D14/374

\* cited by examiner

*Primary Examiner* — Angela J Lee

(74) *Attorney, Agent, or Firm* — Michael D. Eisenberg

(57) **CLAIM**

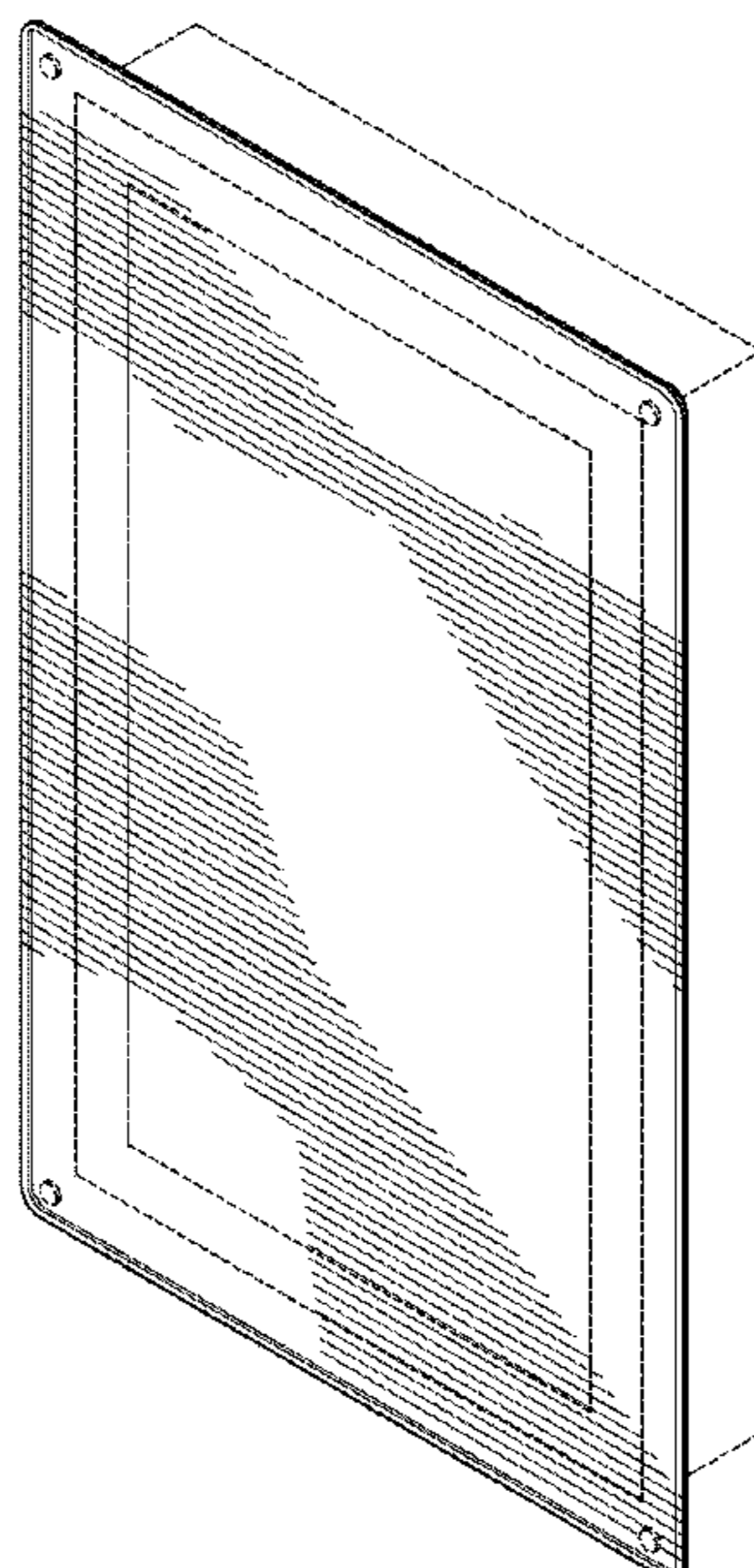
The ornamental design for a clear panel with lighted border for a digital display monitor, as shown and described.

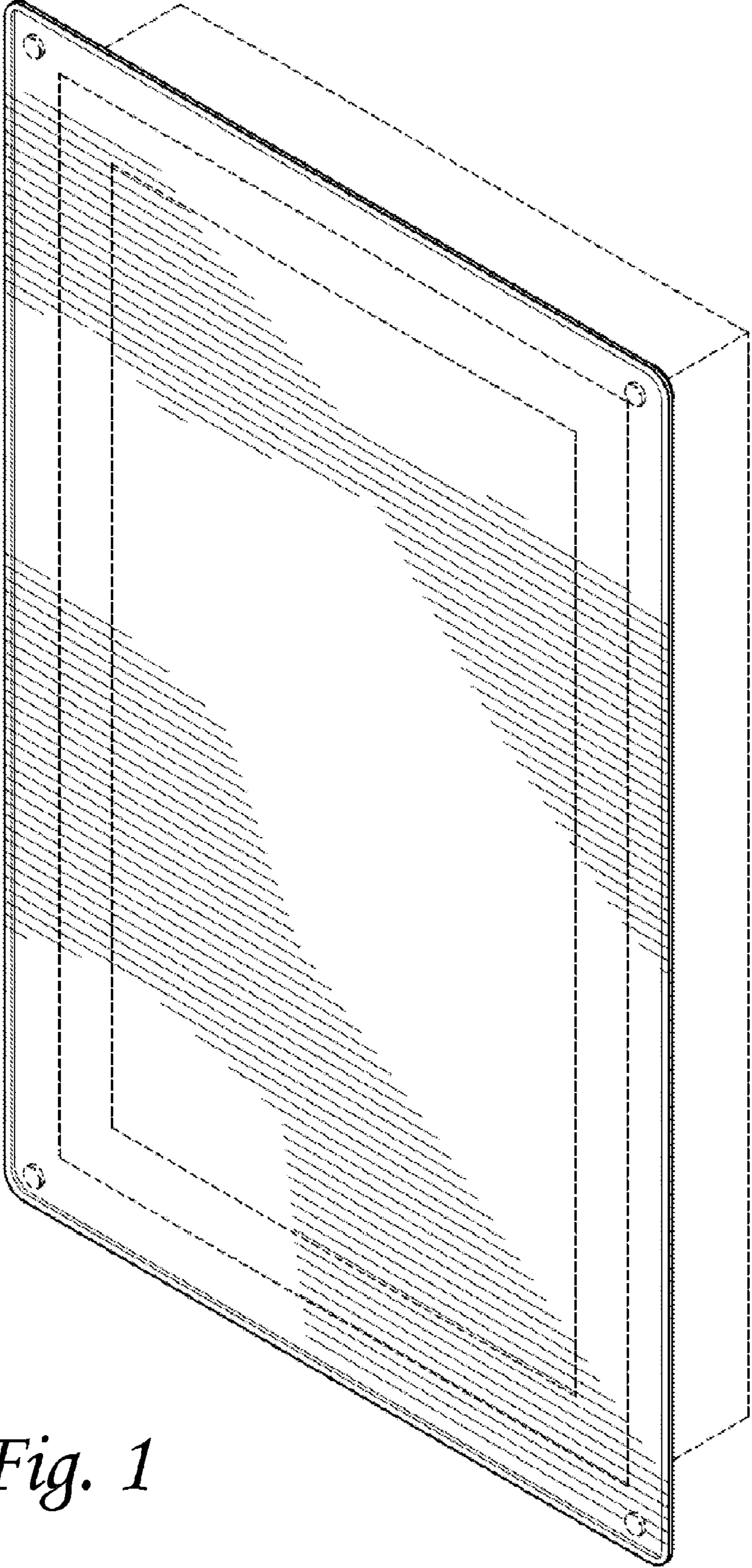
**DESCRIPTION**

FIG. 1 is a perspective view of a clear panel with lighted border for a digital display monitor showing my new design; FIG. 2 is a front view of the clear panel with lighted border for a digital display monitor; FIG. 3 is a left side view of the clear panel with lighted border for a digital display monitor; FIG. 4 is a right side view of the clear panel with lighted border for a digital display monitor; FIG. 5 is a top view of the clear panel with lighted border for a digital display monitor; FIG. 6 is a bottom view of the clear panel with lighted border for a digital display monitor; and, FIG. 7 is a back view of the clear panel with lighted border for a digital display monitor.

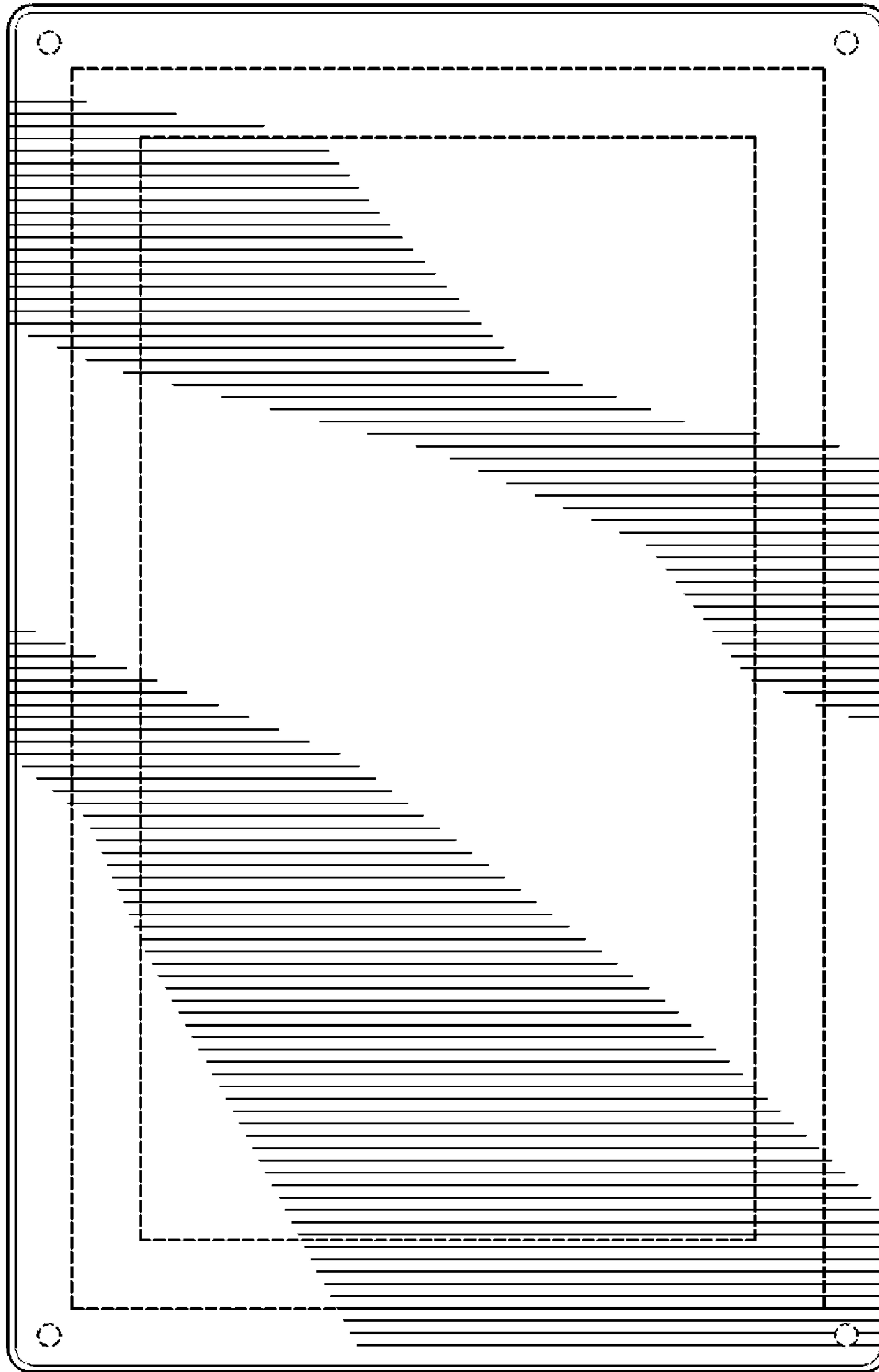
The portions of the clear panel with lighted border for a digital display monitor shown in broken lines form no part of the claimed design.

**1 Claim, 5 Drawing Sheets**

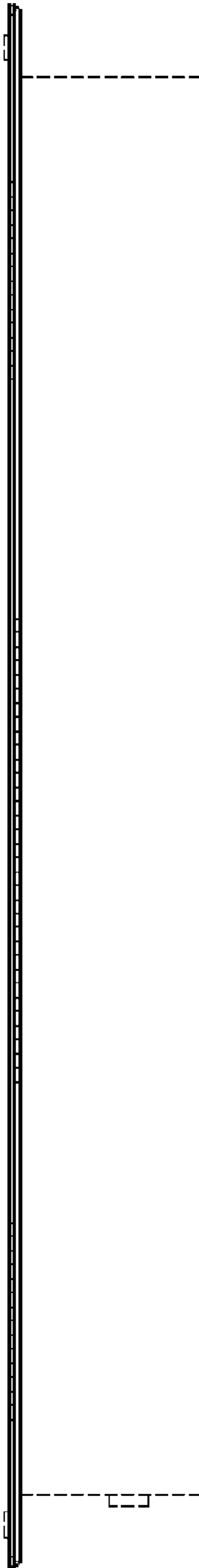




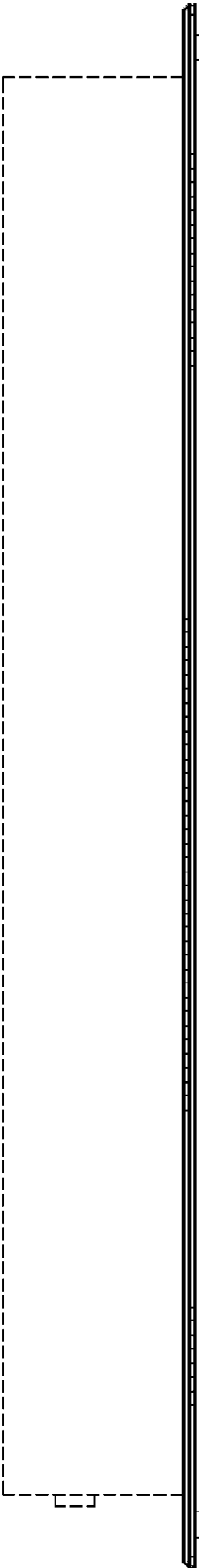
*Fig. 1*



*Fig. 2*



*Fig. 3*



*Fig. 4*

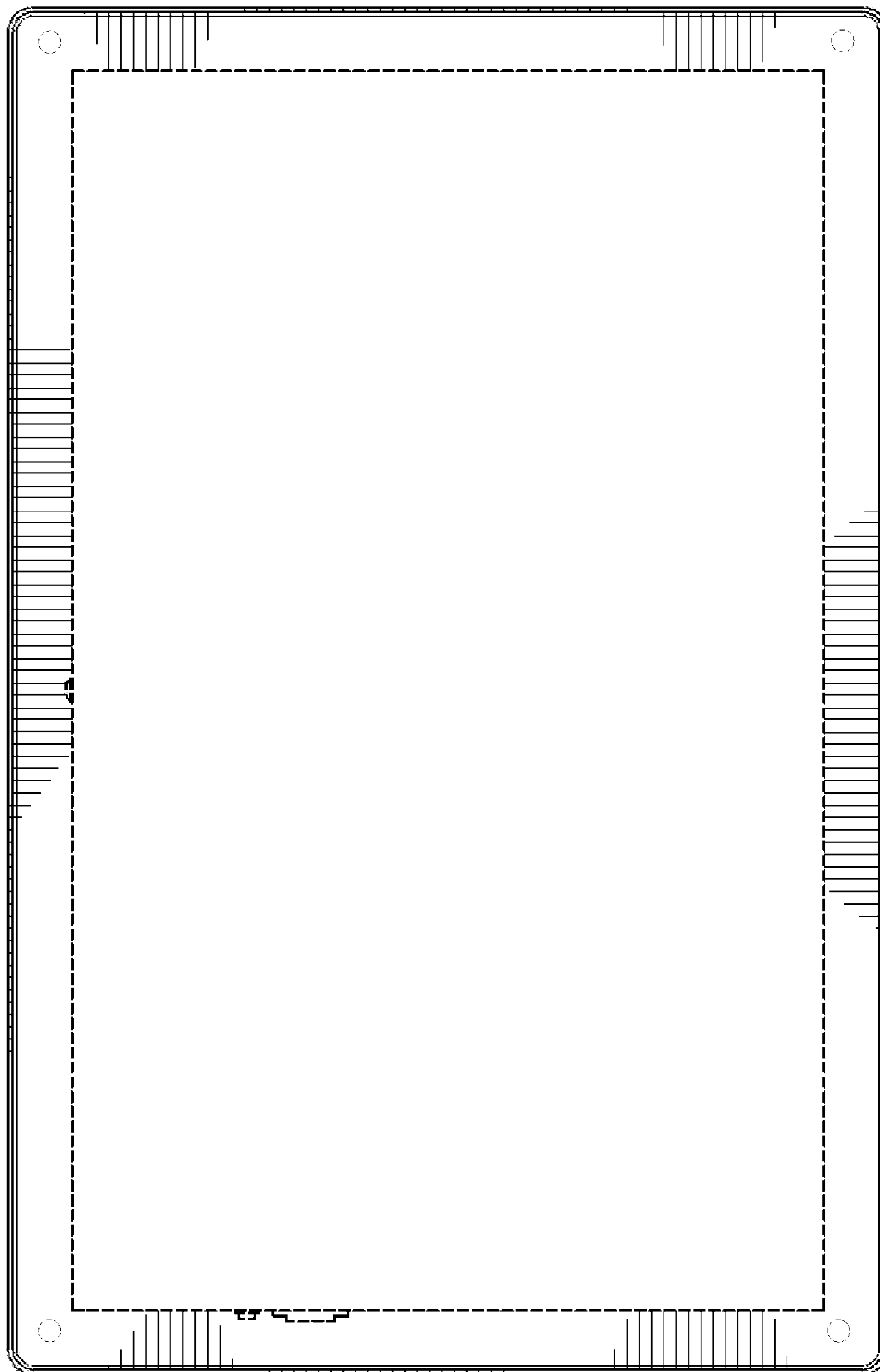




*Fig. 5*



*Fig. 6*



*Fig. 7*