



US00D637188S

(12) **United States Design Patent**
Aikenhead

(10) **Patent No.:** **US D637,188 S**

(45) **Date of Patent:** **** May 3, 2011**

(54) **SCANNER FACEPLATE**

(75) **Inventor:** **Glen Aikenhead**, Mooresville, NC (US)

(73) **Assignee:** **Track Scan, Inc.**, Mooresville, NC (US)

(**) **Term:** **14 Years**

(21) **Appl. No.:** **29/347,196**

(22) **Filed:** **Oct. 21, 2009**

(51) **LOC (9) Cl.** **14-03**

(52) **U.S. Cl.** **D14/257; D14/188; D14/137**

(58) **Field of Classification Search** D9/137,
D9/155, 160-171, 188, 192-198, 203.1-203.8,
D9/204, 217, 257, 258, 265, 496; 455/344-351;
369/6-12

See application file for complete search history.

(56) **References Cited**

U.S. PATENT DOCUMENTS

D436,350 S *	1/2001	Cowan et al.	D14/188
D479,220 S *	9/2003	Lammers-Meis	D14/188
D497,356 S *	10/2004	Jerome	D14/197
D498,226 S *	11/2004	Tien	D14/188
D510,572 S *	10/2005	Lee et al.	D14/188

D561,143 S *	2/2008	Mukai et al.	D14/137
D566,075 S *	4/2008	Leng et al.	D14/137
D605,616 S *	12/2009	Scott et al.	D14/137
D615,034 S *	5/2010	Baker et al.	D13/107
2007/0178861 A1 *	8/2007	Aikenhead	455/130

* cited by examiner

Primary Examiner — Stella M Reid

Assistant Examiner — Keli L Hill

(74) *Attorney, Agent, or Firm* — Dykema Gossett PLLC

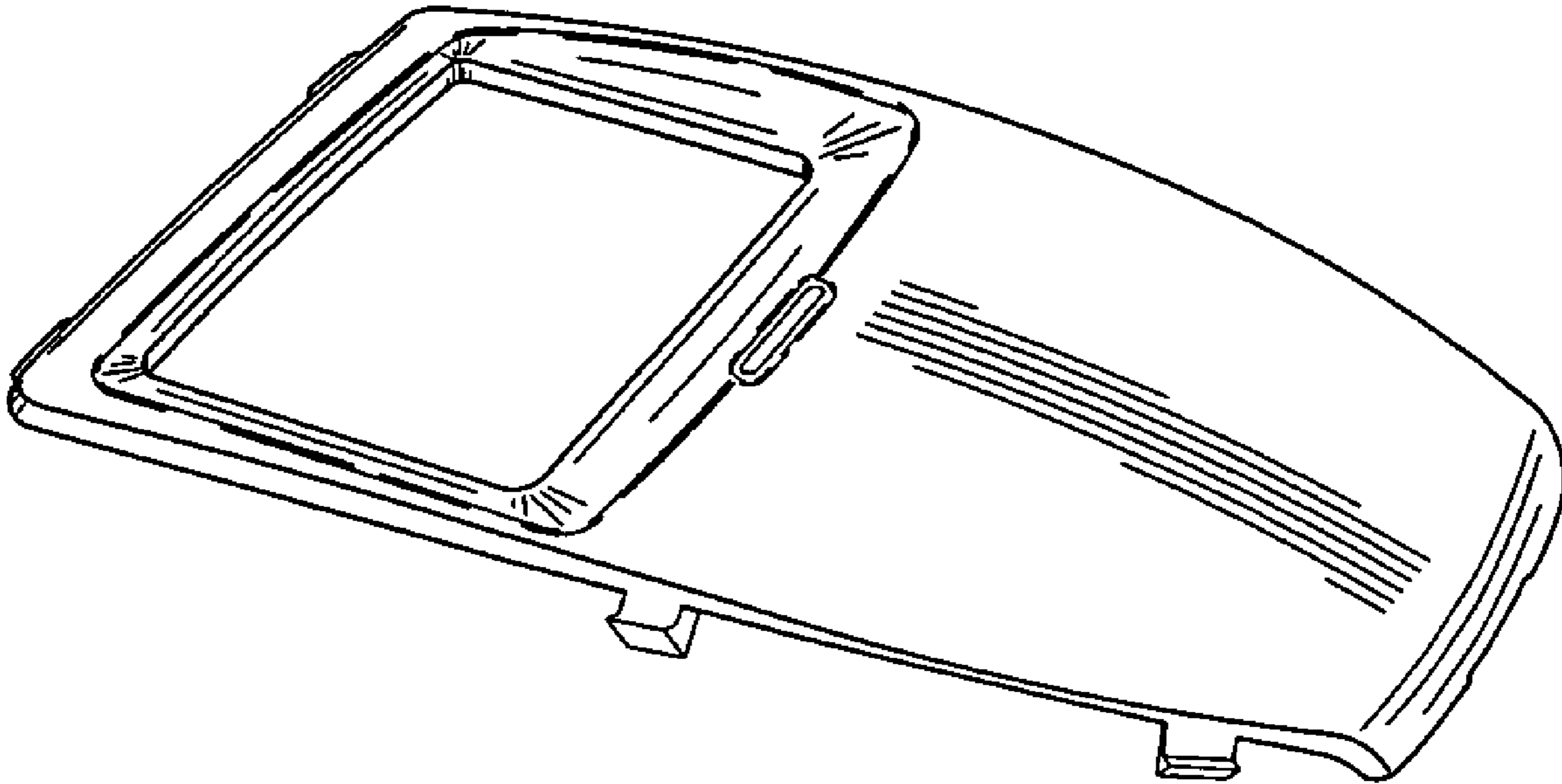
(57) **CLAIM**

The ornamental design for a scanner faceplate, as shown and described.

DESCRIPTION

FIG. 1 is a perspective view of a scanner faceplate showing my new and ornamental design, FIG. 2 is a front view thereof, FIG. 3 is a rear view thereof, FIG. 4 is a top view thereof, FIG. 5 is a bottom view thereof; and, FIG. 6 is a right side view thereof, the left side view being a mirror image.

1 Claim, 1 Drawing Sheet



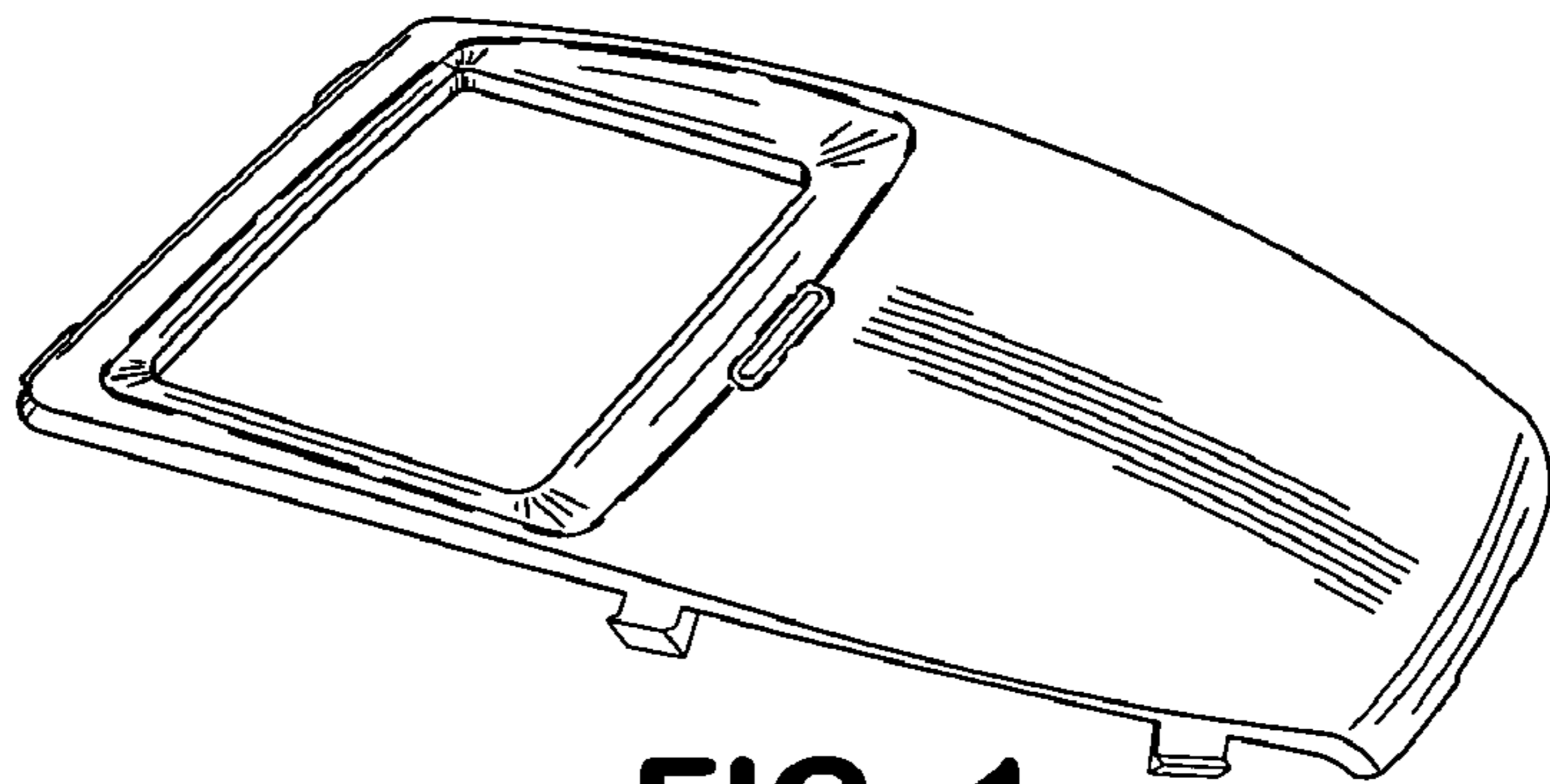


FIG. 1

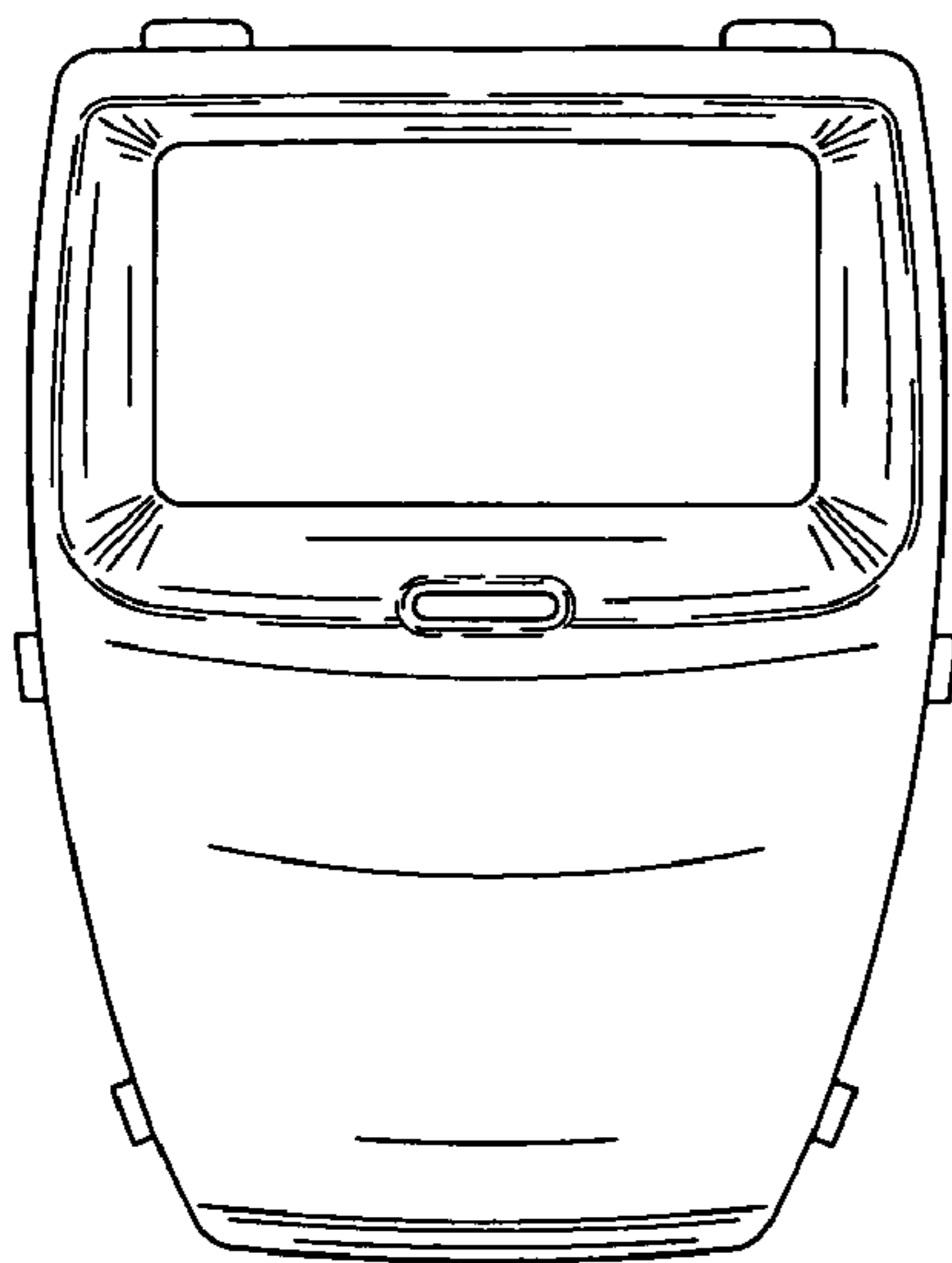


FIG. 2

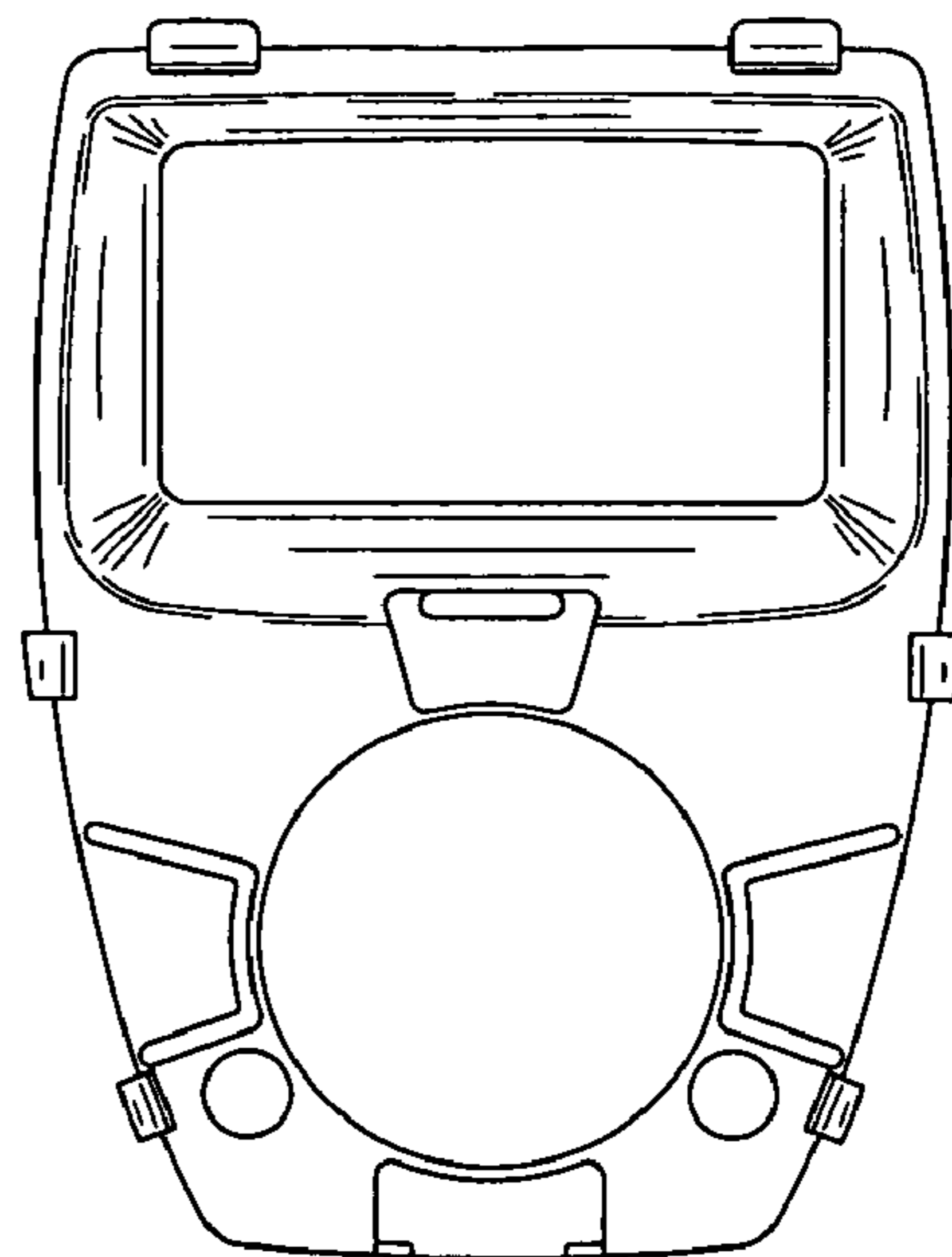


FIG. 3

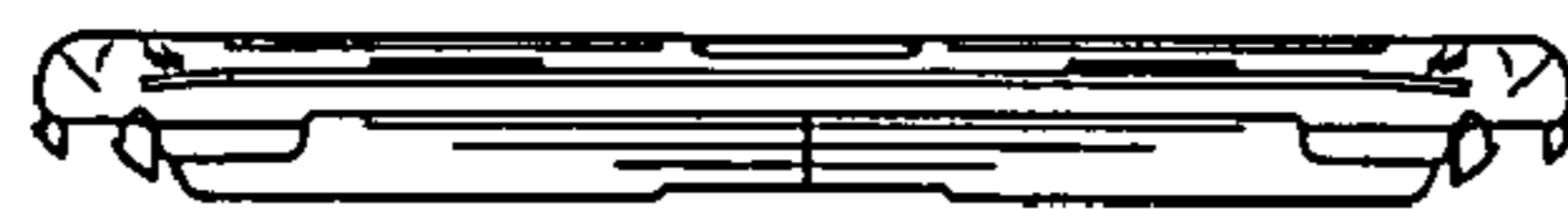


FIG. 4

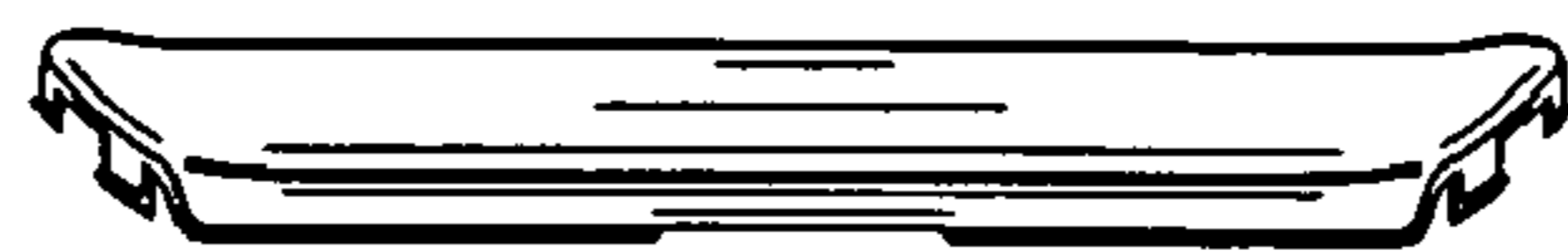


FIG. 5



FIG. 6