



US00D637186S

(12) **United States Design Patent**
David

(10) **Patent No.:** **US D637,186 S**

(45) **Date of Patent:** **** May 3, 2011**

(54) **SATELLITE DISH**

(76) Inventor: **Jonathan N. David**, Miami, FL (US)

(**) Term: **14 Years**

(21) Appl. No.: **29/377,016**

(22) Filed: **Oct. 15, 2010**

(51) **LOC (9) Cl.** **14-03**

(52) **U.S. Cl.** **D14/231; D14/232**

(58) **Field of Classification Search** D14/230–238,
D14/299; 343/700 R, 833–840, 908; 455/3.02,
455/FOR. 215, 575.2

See application file for complete search history.

D551,785 S *	9/2007	Montgomery	D26/26
D597,648 S *	8/2009	Heflin, III	D23/367
D616,634 S *	6/2010	Spaan	D2/889
D619,692 S *	7/2010	Hami et al.	D23/366
D621,127 S *	8/2010	Roskam	D1/115
2007/0069970 A1 *	3/2007	Argaman et al.	343/840

* cited by examiner

Primary Examiner — Celia A Murphy

Assistant Examiner — John Windmuller

(74) *Attorney, Agent, or Firm* — Malloy & Malloy, P.A.

(57) **CLAIM**

The ornamental design for a satellite dish, as shown and described.

DESCRIPTION

FIG. 1 is a front perspective view illustrating my design for a satellite dish;

FIG. 2 is a front view thereof;

FIG. 3 is a left side view thereof;

FIG. 4 is a top view thereof;

FIG. 5 is a right side view thereof;

FIG. 6 is a bottom view thereof; and,

FIG. 7 is a rear view thereof.

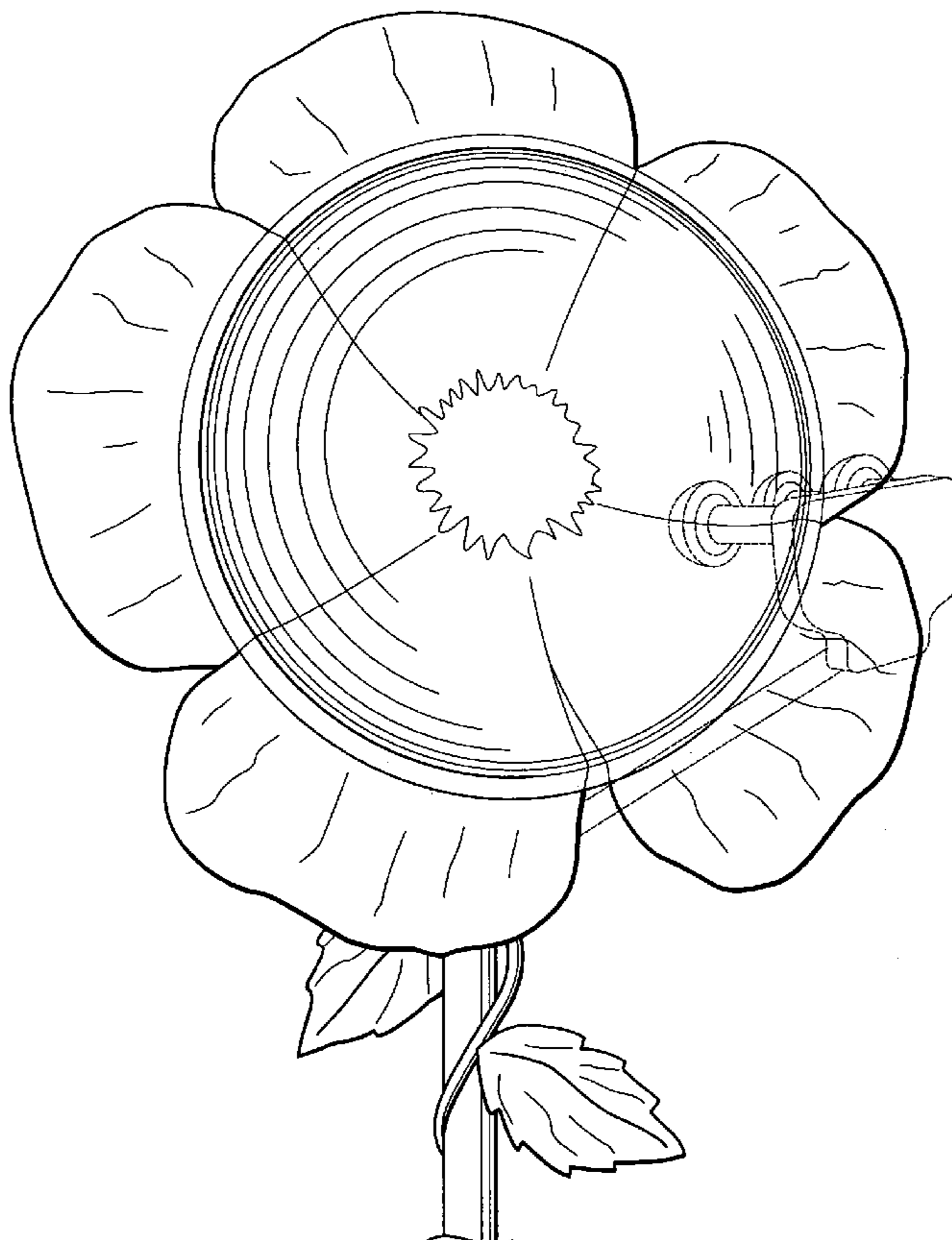
The broken lines in the drawings are for illustrative purposes only and form no part of the claimed design.

1 Claim, 6 Drawing Sheets

(56) **References Cited**

U.S. PATENT DOCUMENTS

2,885,673 A *	5/1959	Bittner et al.	343/720
D196,259 S *	9/1963	Dwyer et al.	D26/127
3,400,890 A *	9/1968	Gould	239/36
3,716,861 A *	2/1973	Root	343/741
D263,226 S *	3/1982	Rehnmark	D14/232
5,451,972 A *	9/1995	Franklin	343/840
D398,612 S *	9/1998	Juengert et al.	D14/238
5,947,582 A *	9/1999	Huang	362/122
D449,033 S *	10/2001	Layne	D14/167
6,859,964 B1 *	3/2005	Arnott	5/640
D507,360 S *	7/2005	Yuen	D26/26
D538,701 S *	3/2007	Williams	D11/40



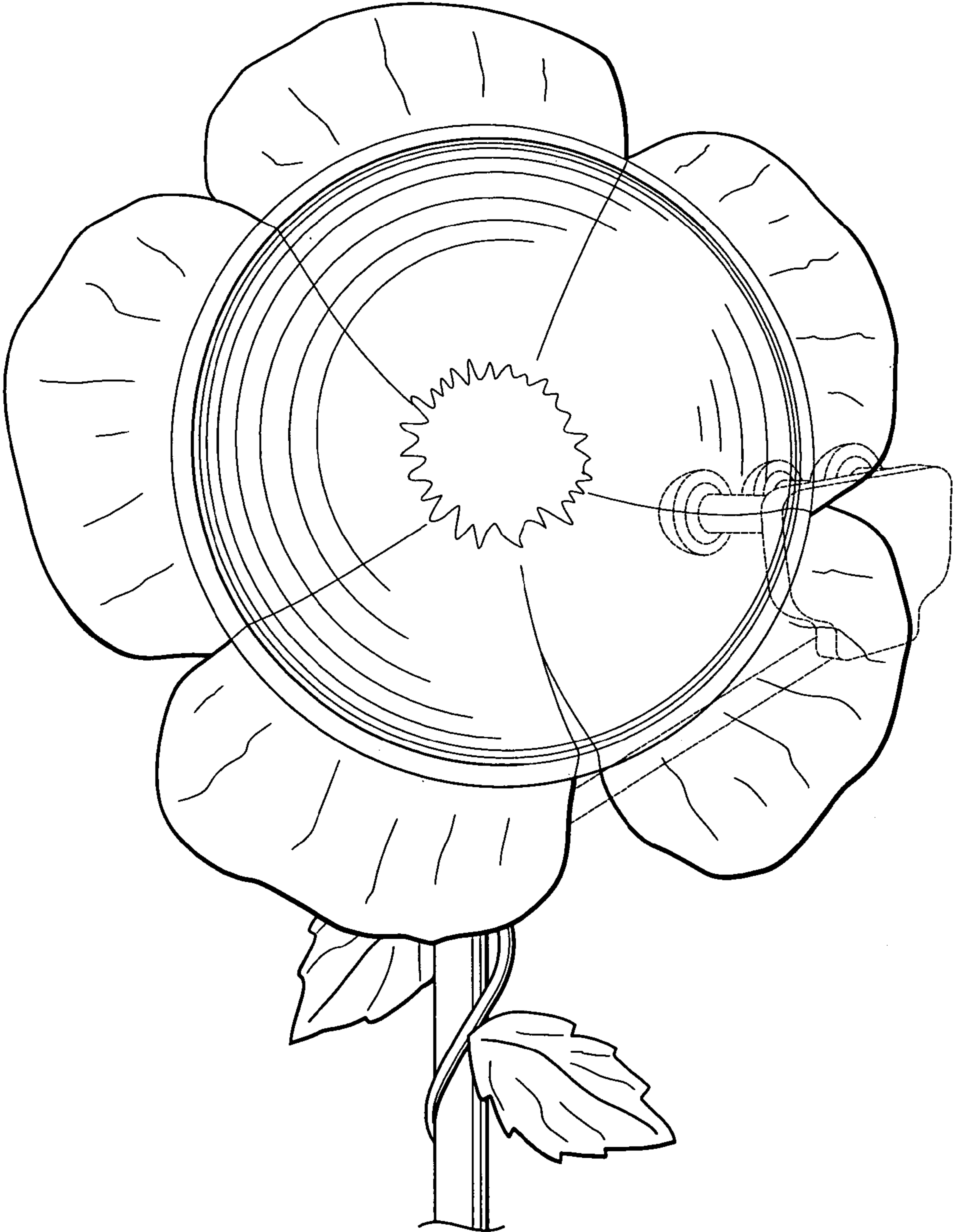


FIG. 1

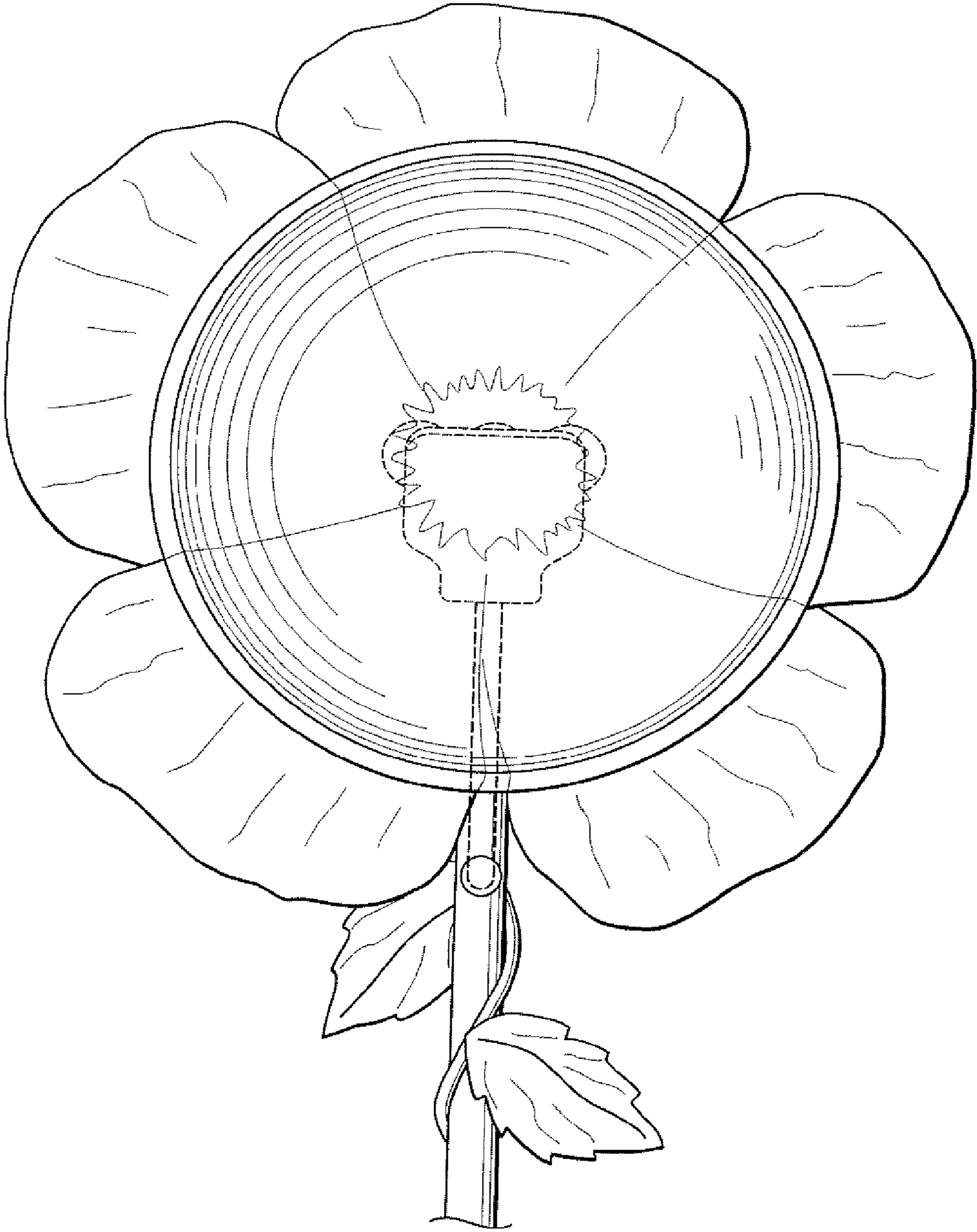


FIG. 2

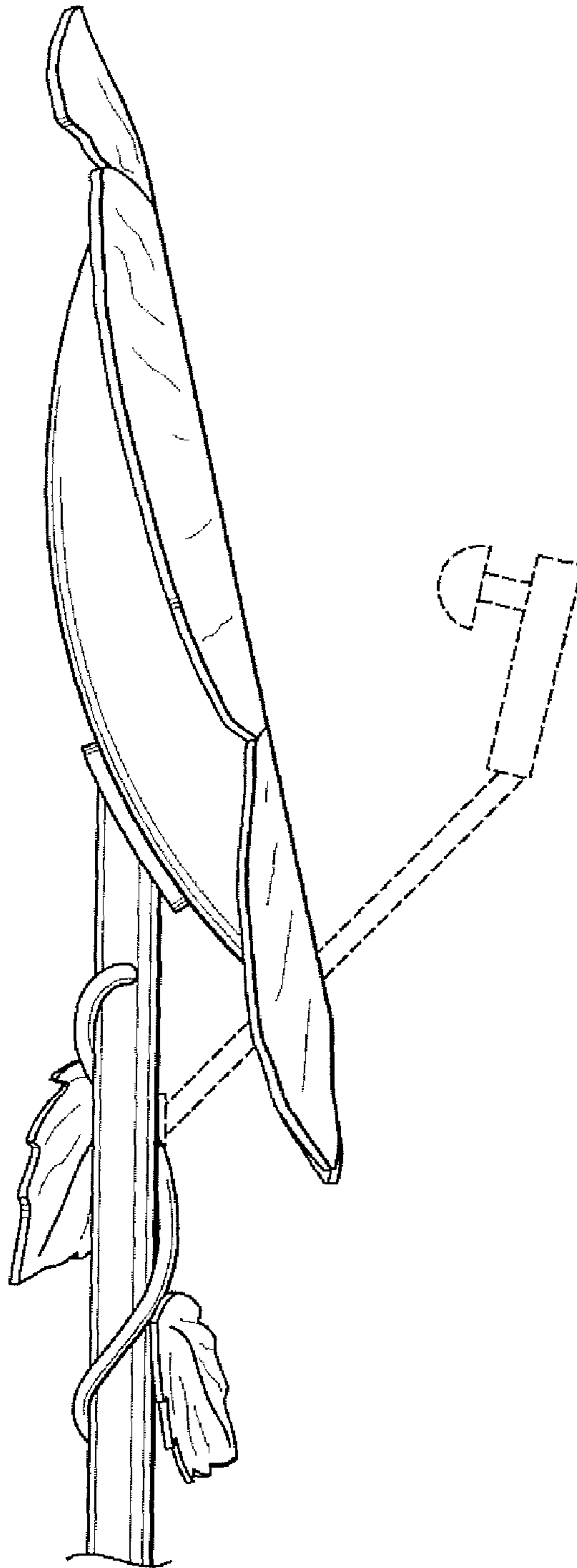


FIG. 3

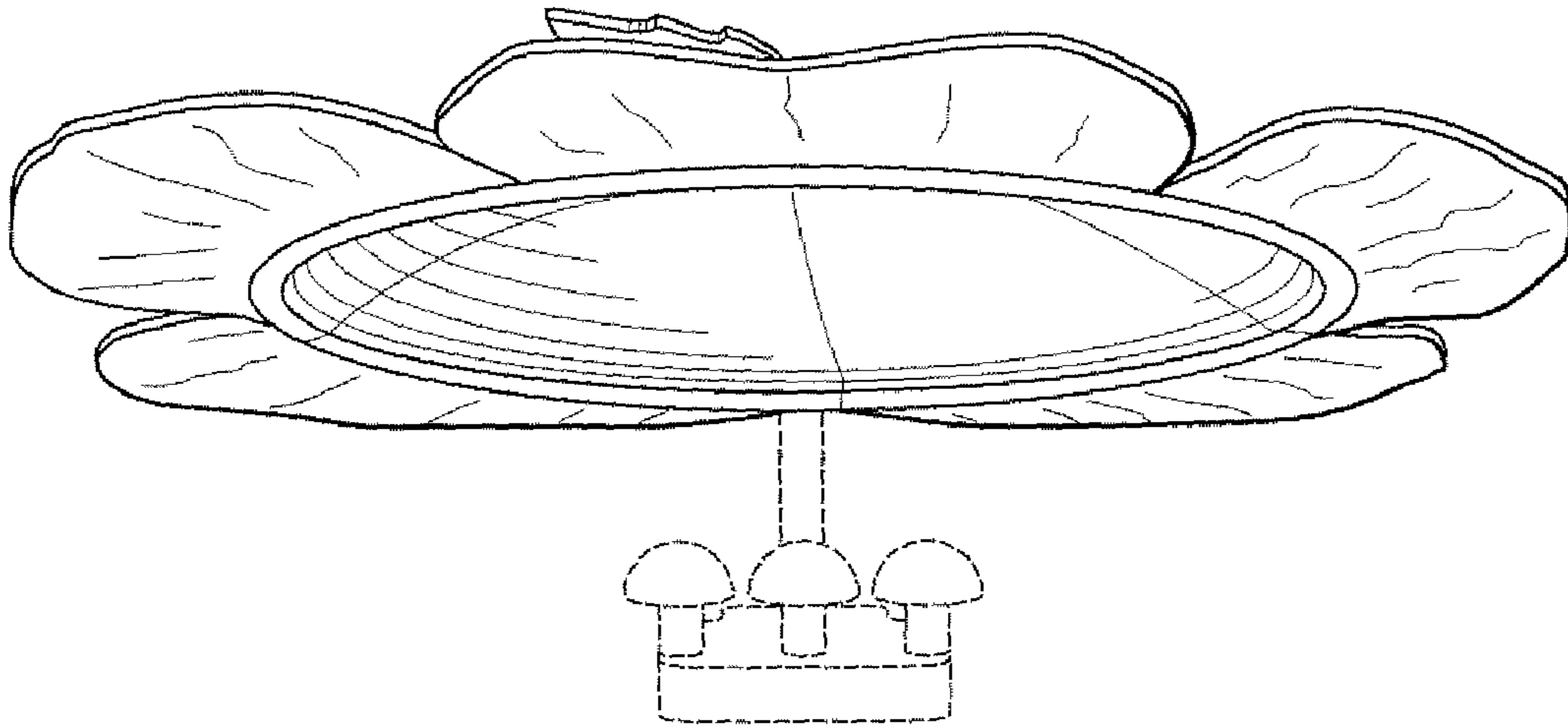


FIG. 4

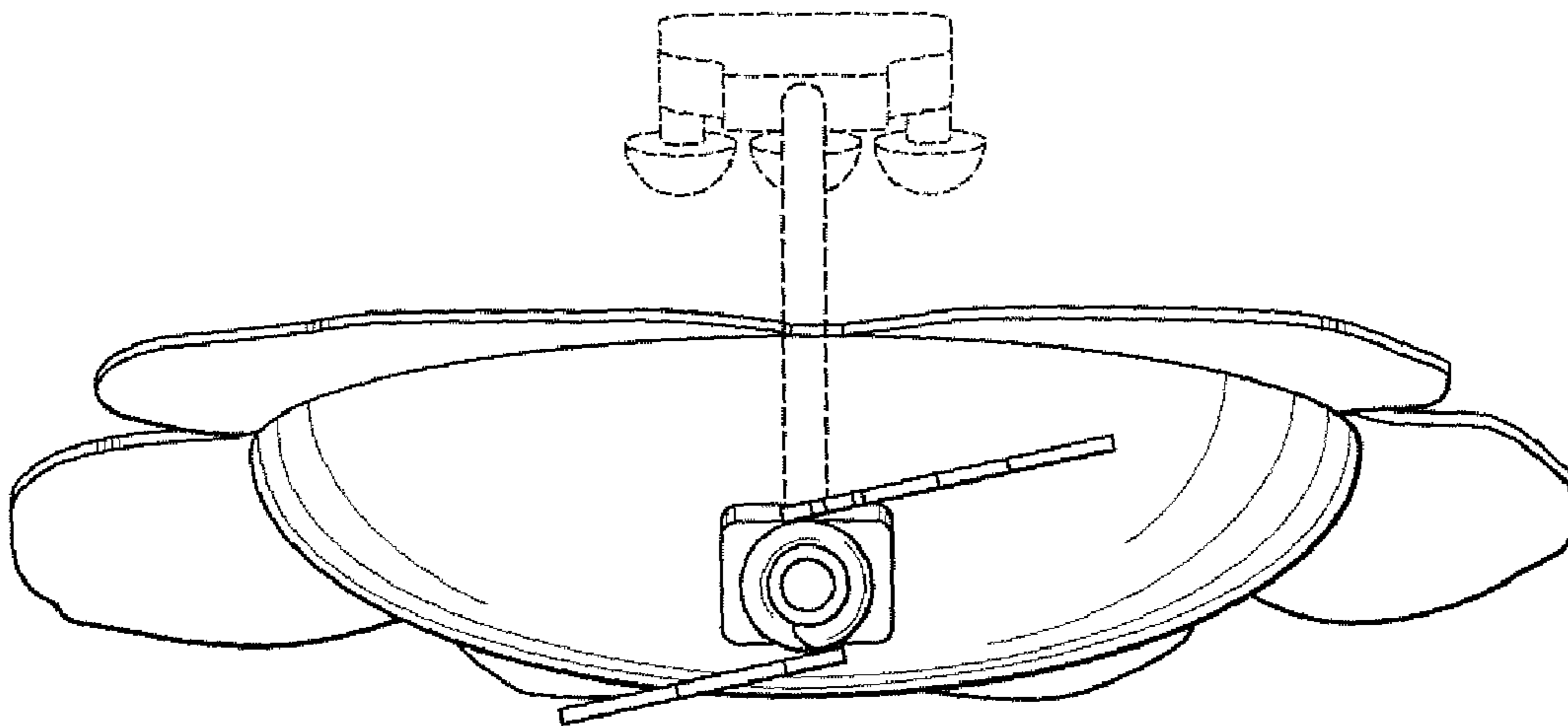


FIG. 6

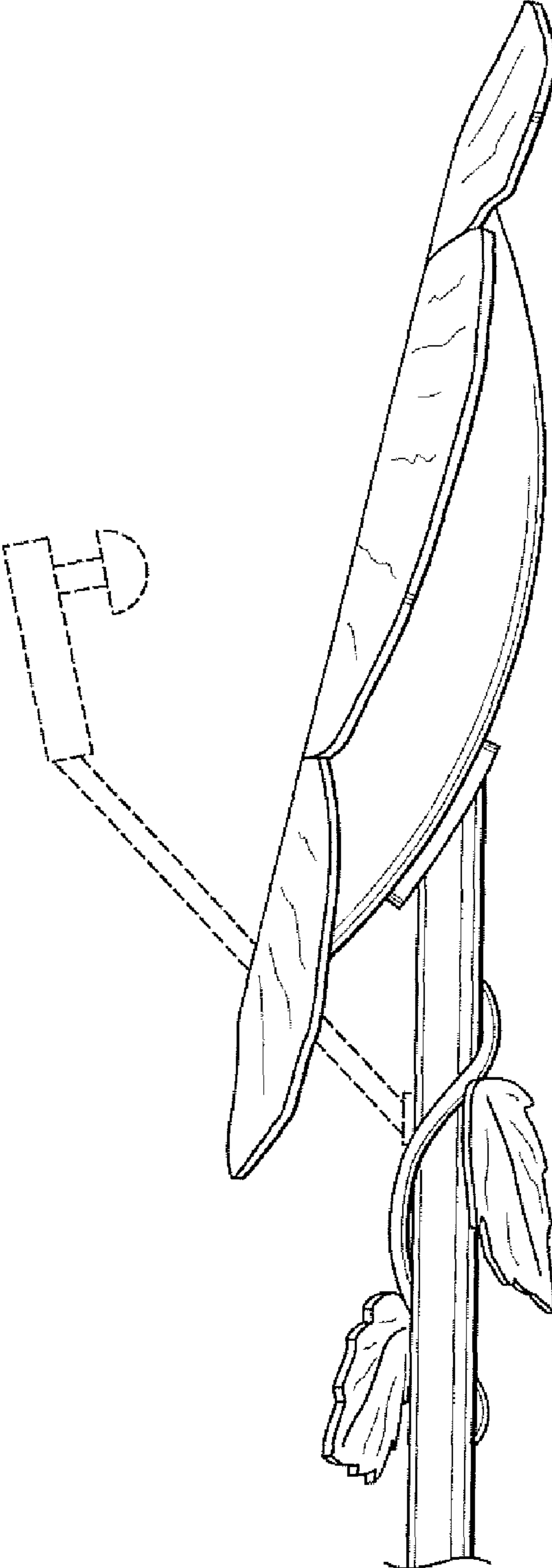


FIG. 5

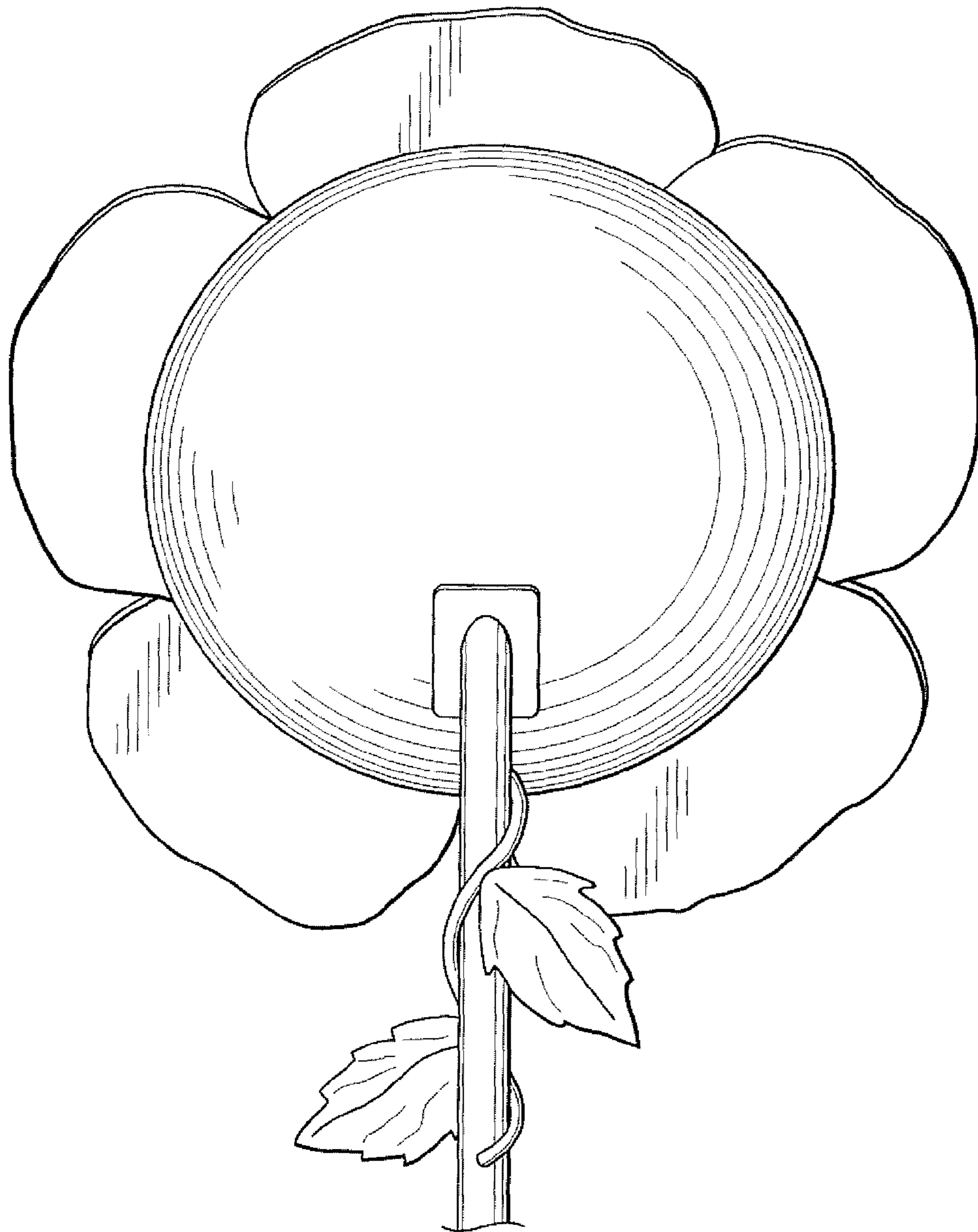


FIG. 7