



US00D637183S

(12) **United States Design Patent**  
**March**

(10) **Patent No.:** **US D637,183 S**

(45) **Date of Patent:** **\*\* May 3, 2011**

(54) **EARPHONE**

(75) Inventor: **Garnett March**, Sherman Oaks, CA  
(US)

(73) Assignee: **Earloomz LLC**, Van Nuys, CA (US)

(\*\*) Term: **14 Years**

(21) Appl. No.: **29/363,126**

(22) Filed: **Jun. 4, 2010**

(51) **LOC (9) Cl.** ..... **14-01**

(52) **U.S. Cl.** ..... **D14/223**

(58) **Field of Classification Search** ..... D14/205,  
D14/206, 223, 248, 251; 181/129, 130, 135;  
379/430, 433, 433.01; 381/379, 380, 381,  
381/151, 328; 455/90.3, 475.1, 569.1

See application file for complete search history.

(56) **References Cited**

U.S. PATENT DOCUMENTS

D538,271 S *	3/2007	Kim et al.	.....	D14/223
D555,151 S *	11/2007	Eklund	.....	D14/223
D581,396 S *	11/2008	Wikel et al.	.....	D14/206
D582,897 S *	12/2008	Christopher et al.	.....	D14/223
D595,272 S *	6/2009	Kim et al.	.....	D14/223
D596,624 S *	7/2009	Hong et al.	.....	D14/223
D598,900 S *	8/2009	Wikel et al.	.....	D14/223
D603,377 S *	11/2009	Chung	.....	D14/223
D603,378 S *	11/2009	Paradise	.....	D14/223
D604,722 S *	11/2009	Mistry	.....	D14/223
7,639,825 B2 *	12/2009	Fukuda	.....	381/151
D608,766 S *	1/2010	Brickstad	.....	D14/223

D620,927 S *	8/2010	Li	.....	D14/223
7,778,410 B2 *	8/2010	Liu et al.	.....	379/430
D625,713 S *	10/2010	Yang	.....	D14/223
D629,396 S *	12/2010	Andre et al.	.....	D14/223
D630,620 S *	1/2011	Lee et al.	.....	D14/223

OTHER PUBLICATIONS

GT Telecom, Bluetooth Headset, from Internet, accessed May 20, 2010, 8 pages.

\* cited by examiner

*Primary Examiner* — Paula Greene

(74) *Attorney, Agent, or Firm* — Workman Nydegger

(57) **CLAIM**

The ornamental design for an earphone, as shown and described.

**DESCRIPTION**

FIG. 1 is a perspective view of an earphone showing my new design;

FIG. 2 is a front elevational view of the earphone shown in FIG. 1;

FIG. 3 is a left side elevational view of the earphone shown in FIG. 1;

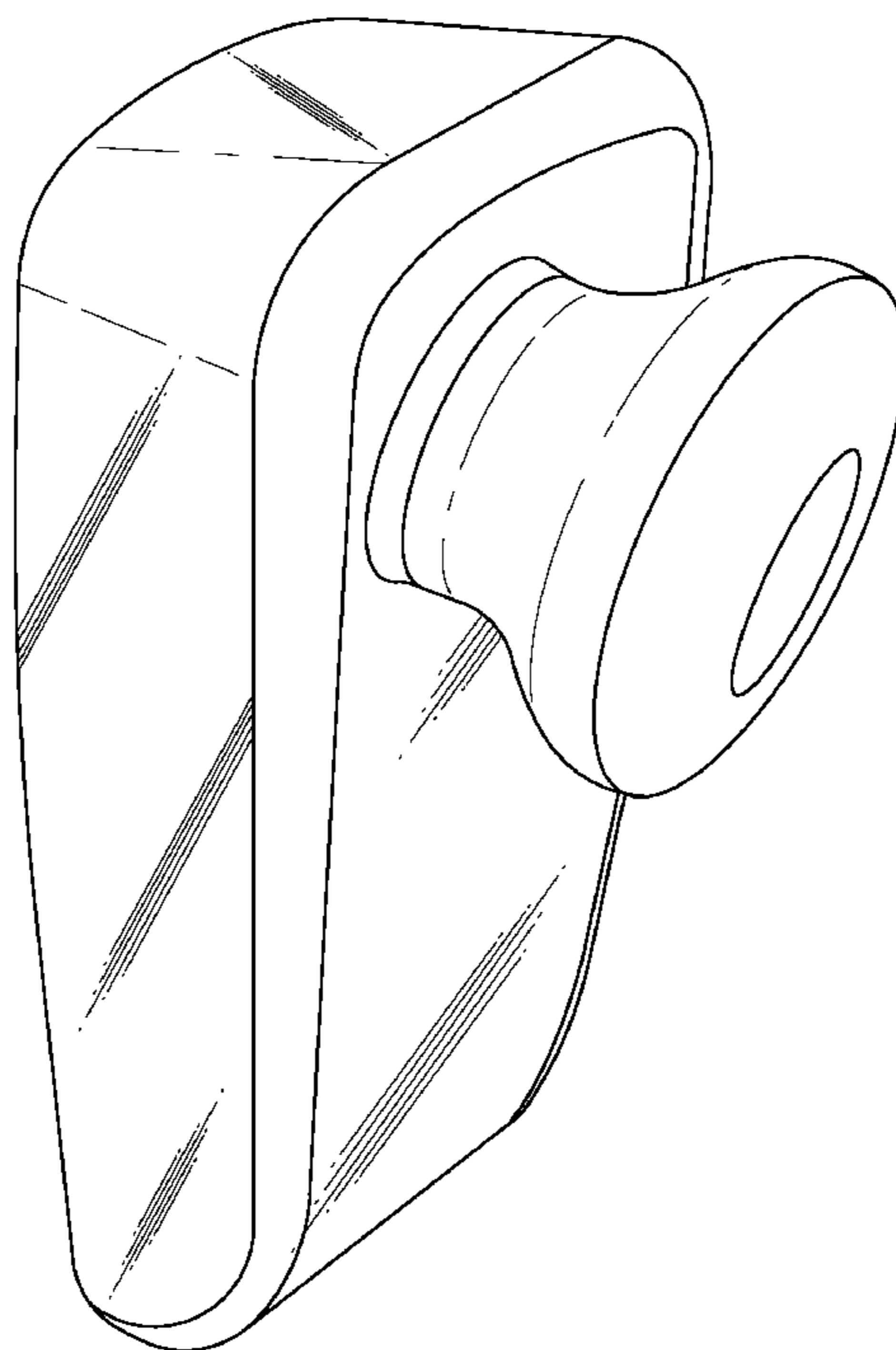
FIG. 4 is a top plan view of the earphone shown in FIG. 1;

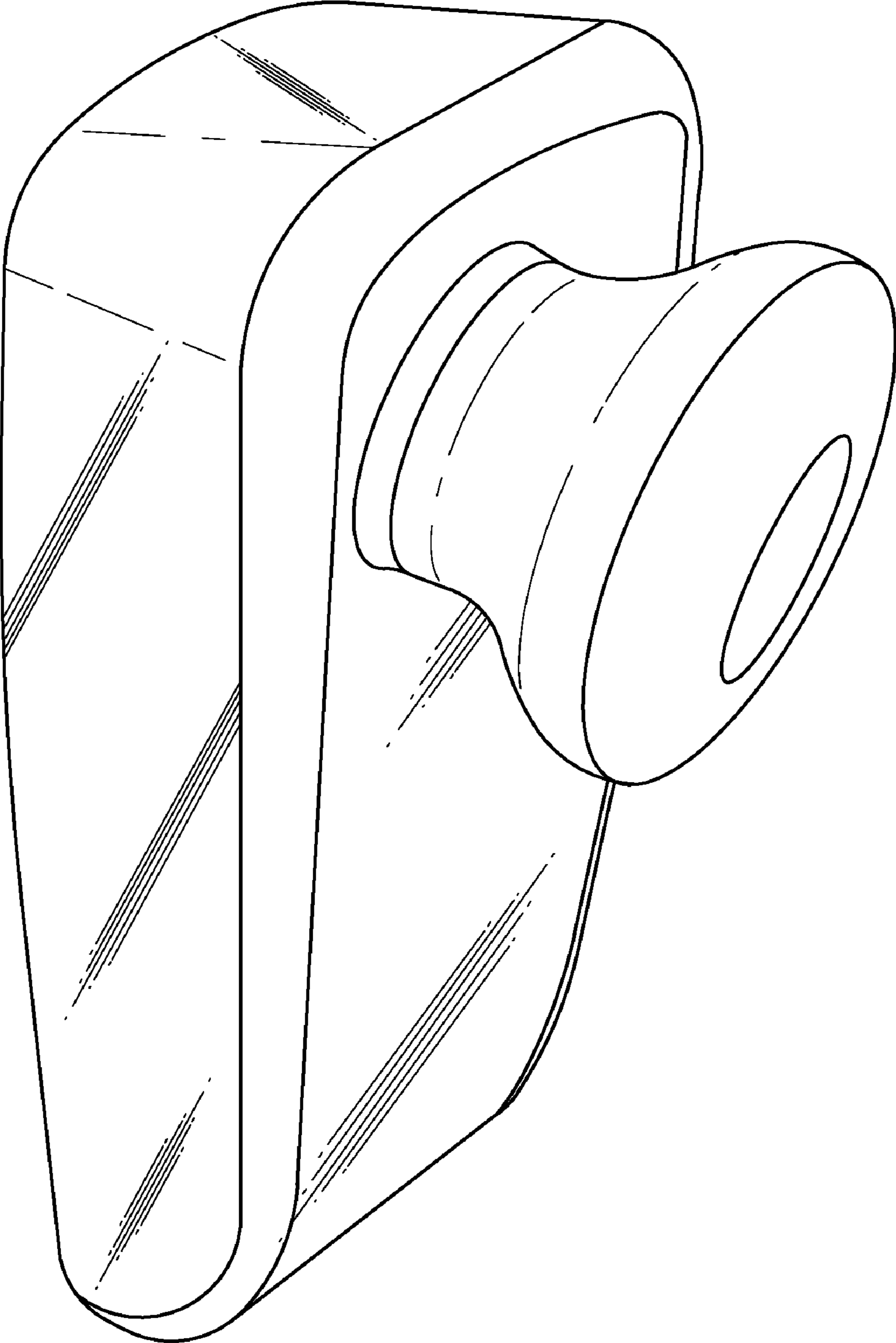
FIG. 5 is a right side elevational view of the earphone shown in FIG. 1;

FIG. 6 is a bottom plan view of the earphone shown in FIG. 1; and,

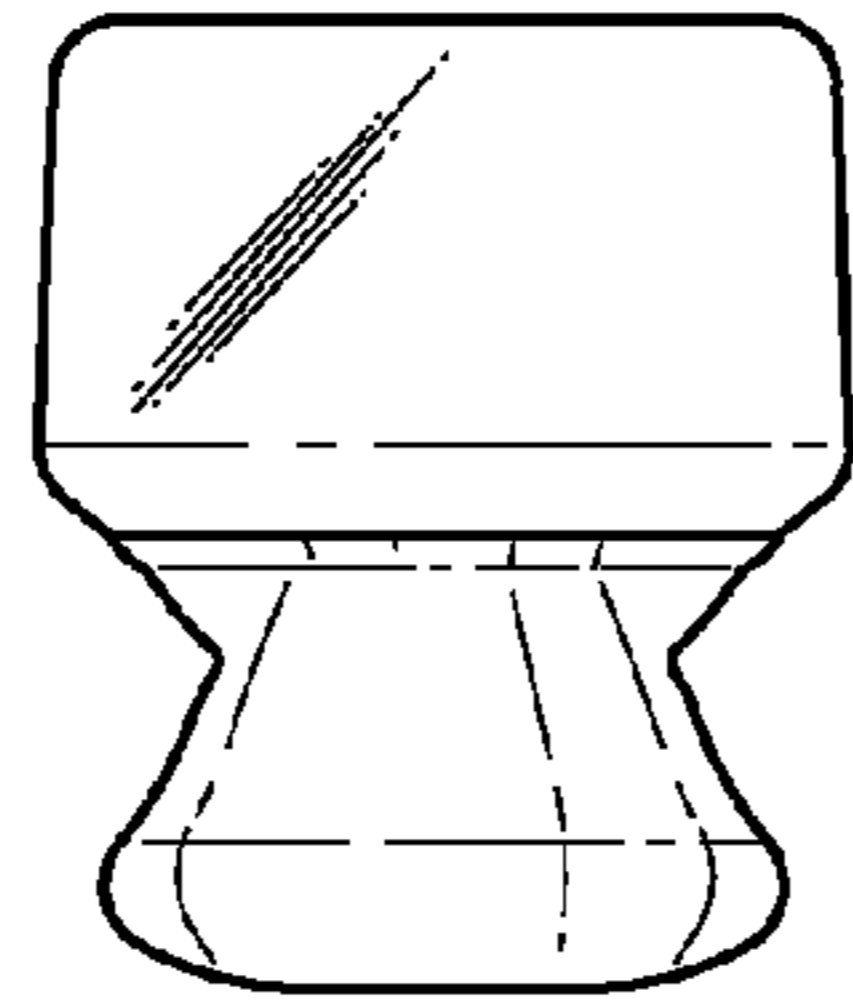
FIG. 7 is a back elevational view of the earphone shown in FIG. 1.

**1 Claim, 2 Drawing Sheets**

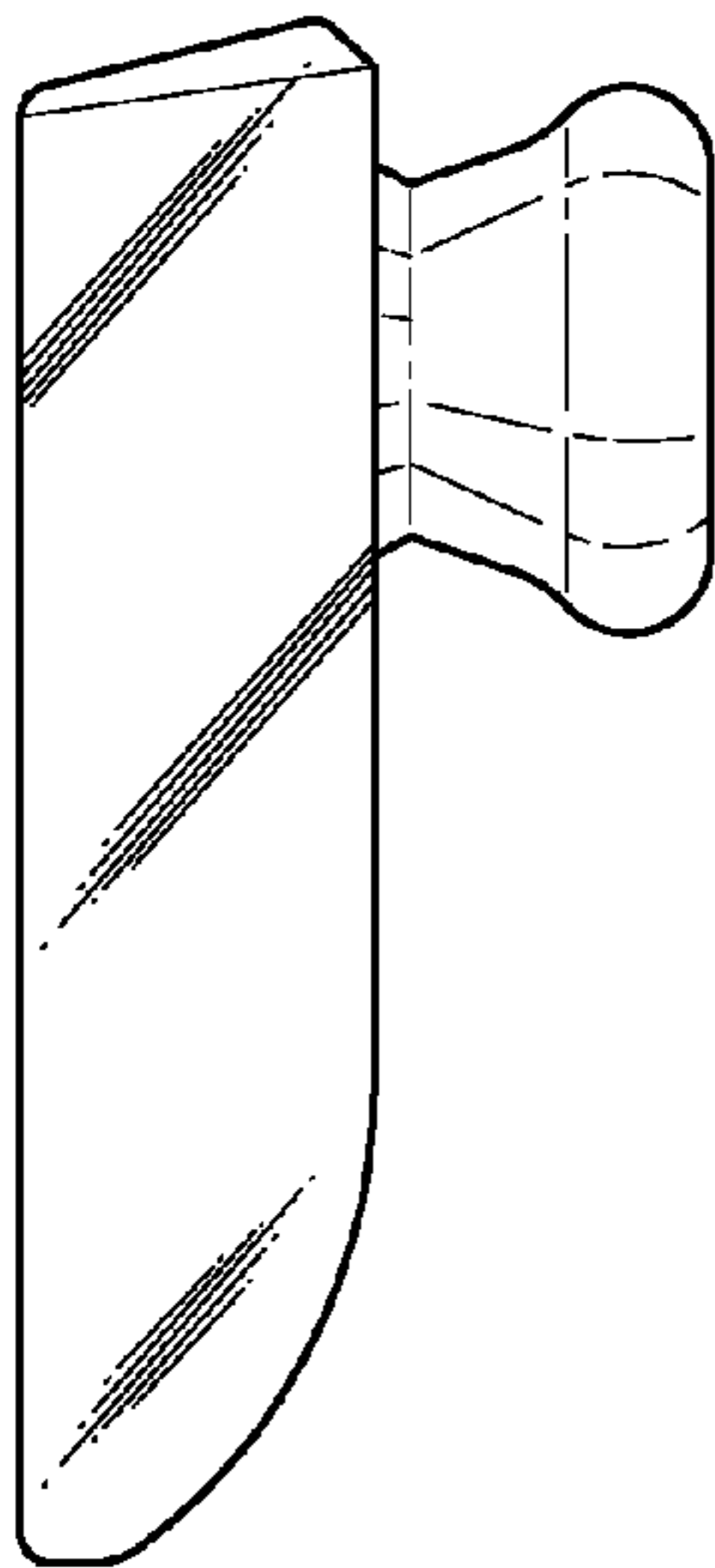




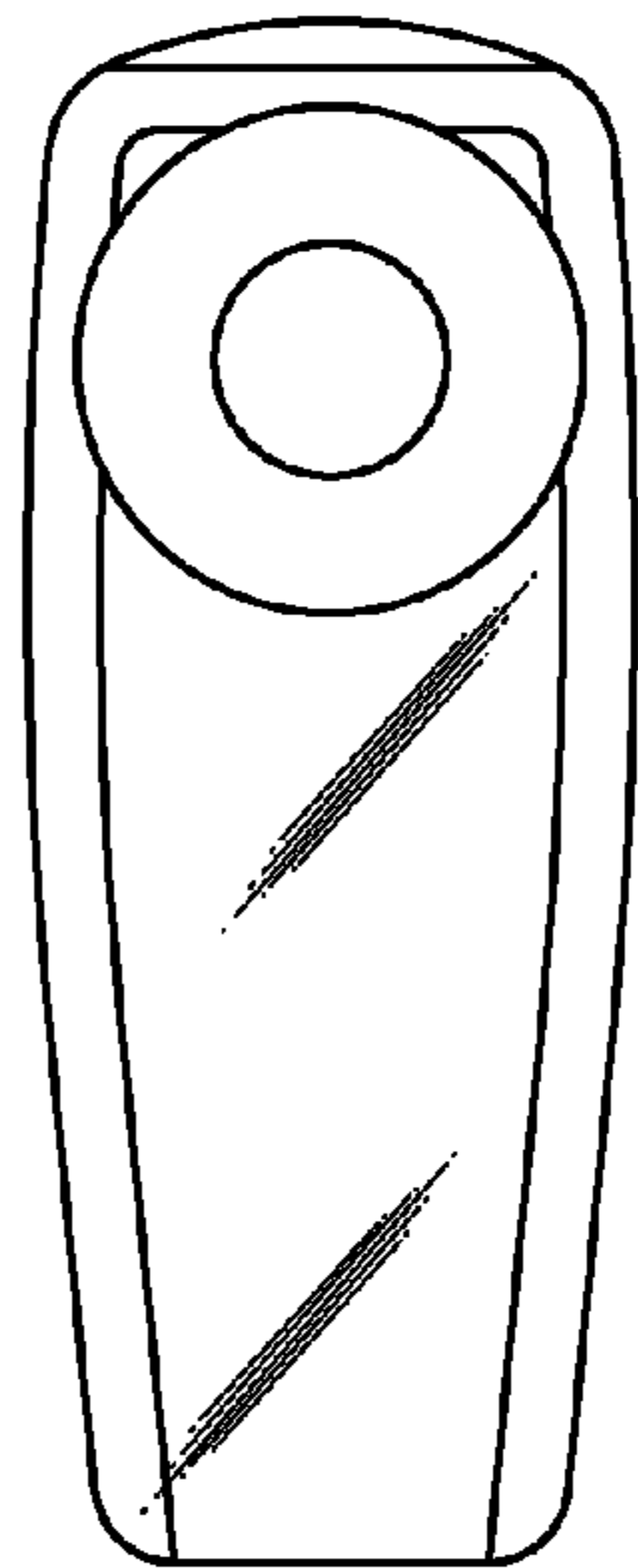
**Fig. 1**



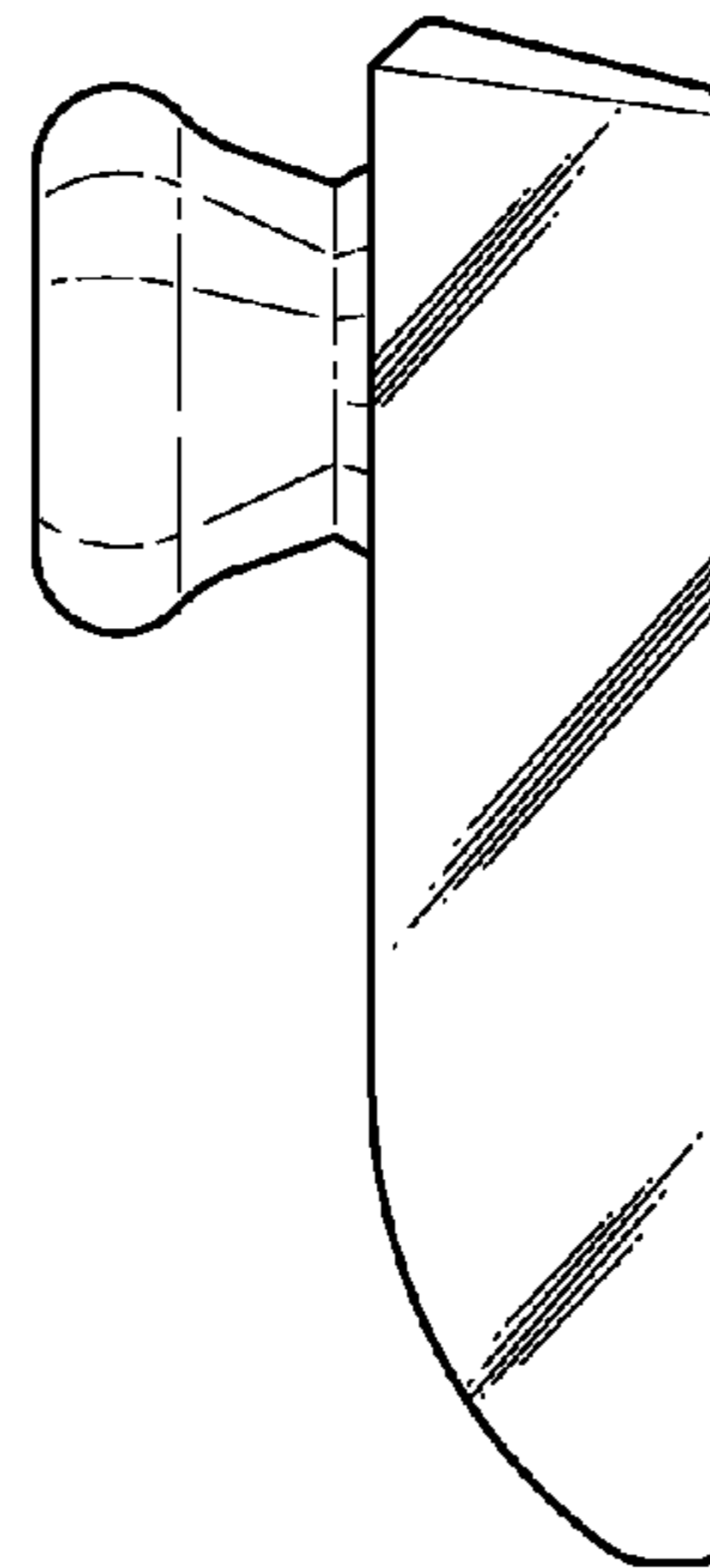
**Fig. 2**



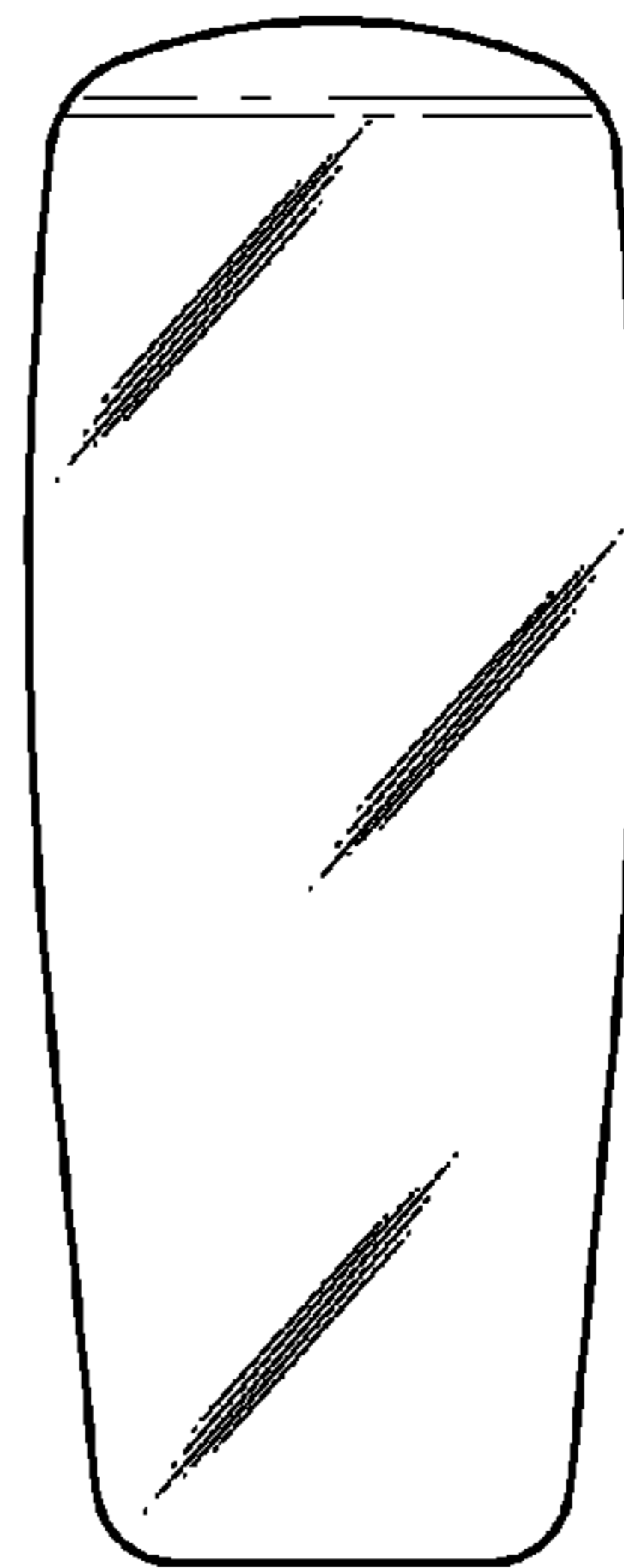
**Fig. 3**



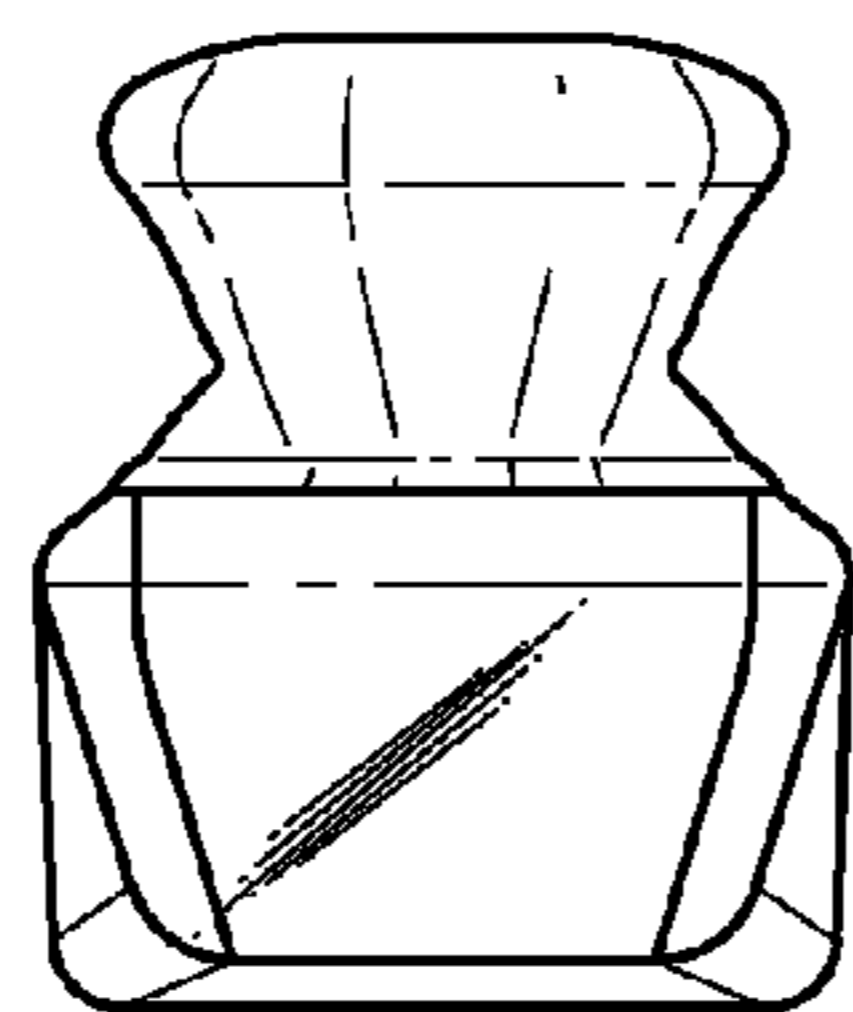
**Fig. 4**



**Fig. 5**



**Fig. 6**



**Fig. 7**