



US00D637182S

(12) **United States Design Patent**  
**Lee et al.**

(10) **Patent No.:** **US D637,182 S**  
(45) **Date of Patent:** **\*\* May 3, 2011**

(54) **PAIR OF HEADPHONES**

D600,675 S 9/2009 Lee et al.  
D606,971 S \* 12/2009 Christopher et al. .... D14/205  
D607,880 S \* 1/2010 Chung et al. .... D14/223

(75) Inventors: **Noel Lee**, Las Vegas, NV (US); **Dan Hua**, San Jose, CA (US)

(73) Assignee: **Monster Cable Products, Inc.**,  
Brisbane, CA (US)

(\*\*) Term: **14 Years**

(21) Appl. No.: **29/353,163**

(22) Filed: **Jan. 4, 2010**

(51) **LOC (9) Cl.** ..... **14-01**

(52) **U.S. Cl.** ..... **D14/223**

(58) **Field of Classification Search** ..... D14/205,  
D14/206, 223, 188, 192; 181/129, 130, 135;  
379/430, 431, 433.01, 433.02; 381/380,  
381/381, 370; 128/864, 865, 866; 455/90.3,  
455/575.1, 575.2

See application file for complete search history.

(56) **References Cited**

**U.S. PATENT DOCUMENTS**

4,133,984	A	*	1/1979	Akiyama	.....	381/328
D357,921	S	*	5/1995	Ming-Chin	.....	D14/223
D430,146	S	*	8/2000	Lin	.....	D14/223
D469,753	S	*	2/2003	Andre et al.	.....	D14/205
6,704,429	B2	*	3/2004	Lin	.....	381/380
D512,049	S	*	11/2005	Yang	.....	D14/223
D531,169	S	*	10/2006	Tokioka et al.	.....	D14/223
D554,109	S	*	10/2007	Ledbetter et al.	.....	D14/223
D575,269	S	*	8/2008	Ledbetter et al.	.....	D14/205
D594,441	S		6/2009	Lee et al.		
D598,901	S	*	8/2009	Lee et al.	.....	D14/223
D599,781	S		9/2009	Lee et al.		

**OTHER PUBLICATIONS**

U.S. Appl. No. 12/183,718, filed Jun. 31, 2008, Noel Lee, et al.  
U.S. Appl. No. 29/342,998, filed Sep. 3, 2009, Noel Lee, et al.  
U.S. Appl. No. 29/352,990, filed Dec. 30, 2009, Noel Lee, et al.  
U.S. Appl. No. 12/651,943, filed Jan. 4, 2010, Noel Lee, et al.  
U.S. Appl. No. 29/353,170, filed Jan. 4, 2010, Noel Lee, et al.

\* cited by examiner

*Primary Examiner* — Paula Greene

(74) *Attorney, Agent, or Firm* — LaRiviere, Grubman & Payne, LLP

(57) **CLAIM**

The ornamental design for a pair of headphones, as shown and described.

**DESCRIPTION**

FIG. 1 is a perspective view of a pair of headphones, each headphone in accordance with the present invention.

FIG. 2 is a back view of the new design;

FIG. 3 is a front view of the new design;

FIG. 4 is a side view of the new design, shown separately for purposes of illustration;

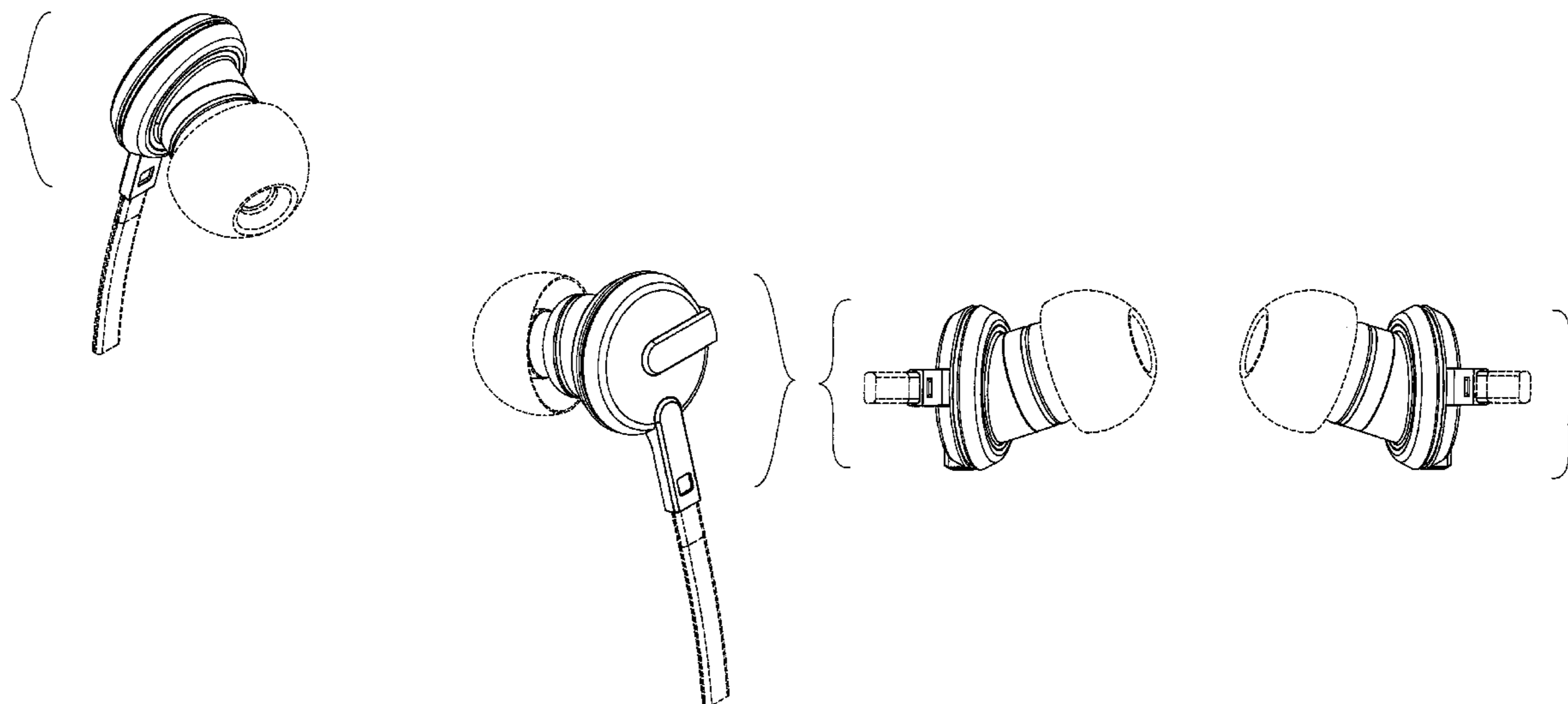
FIG. 5 is an opposite side view of the new design, shown separately for purposes of illustration;

FIG. 6 is a top view of the new design; and,

FIG. 7 is a bottom view of the new design.

The broken lines showing the environment in the Figures are for illustrative purposes only and form no part of the claimed design.

**1 Claim, 3 Drawing Sheets**



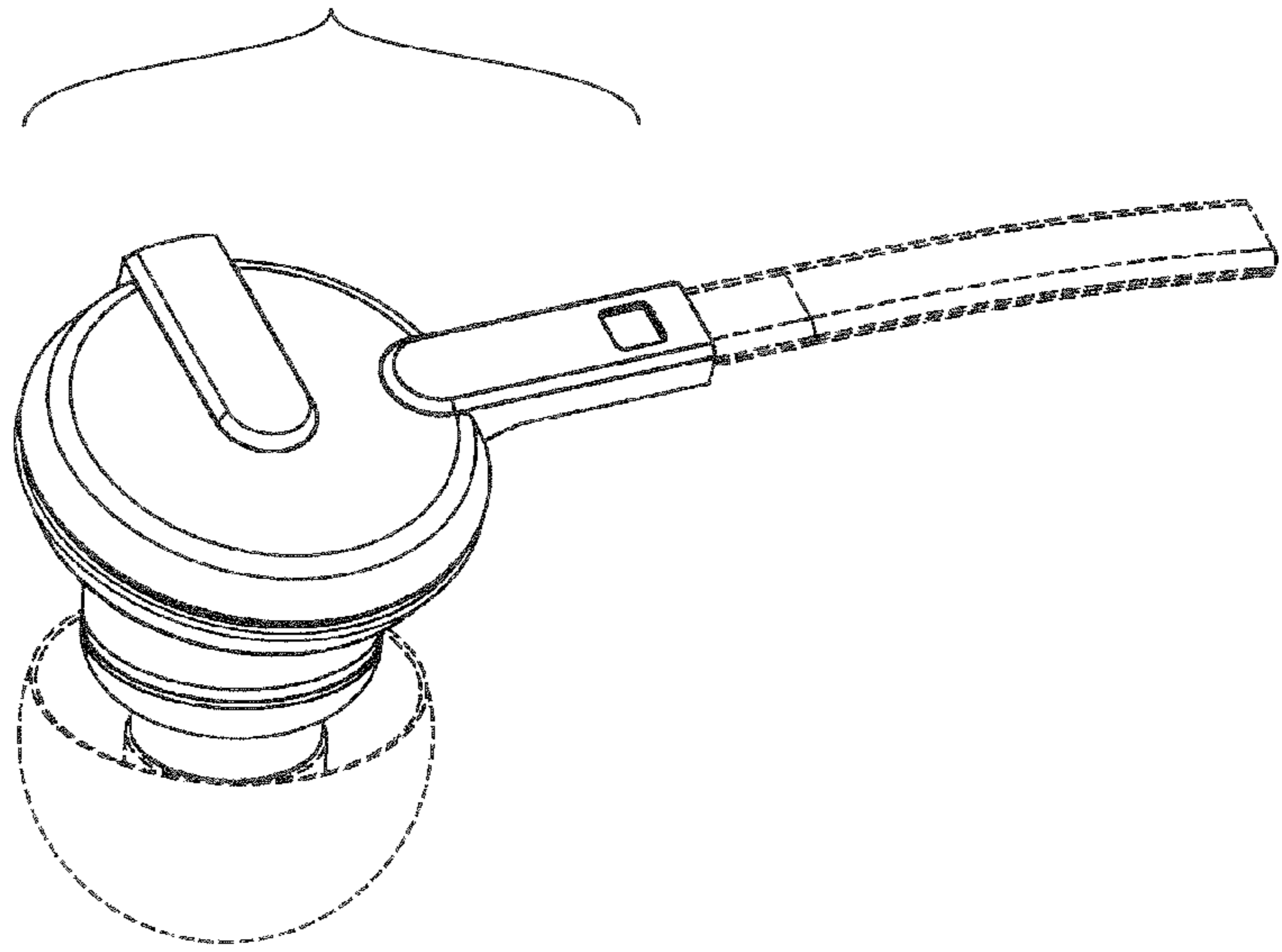
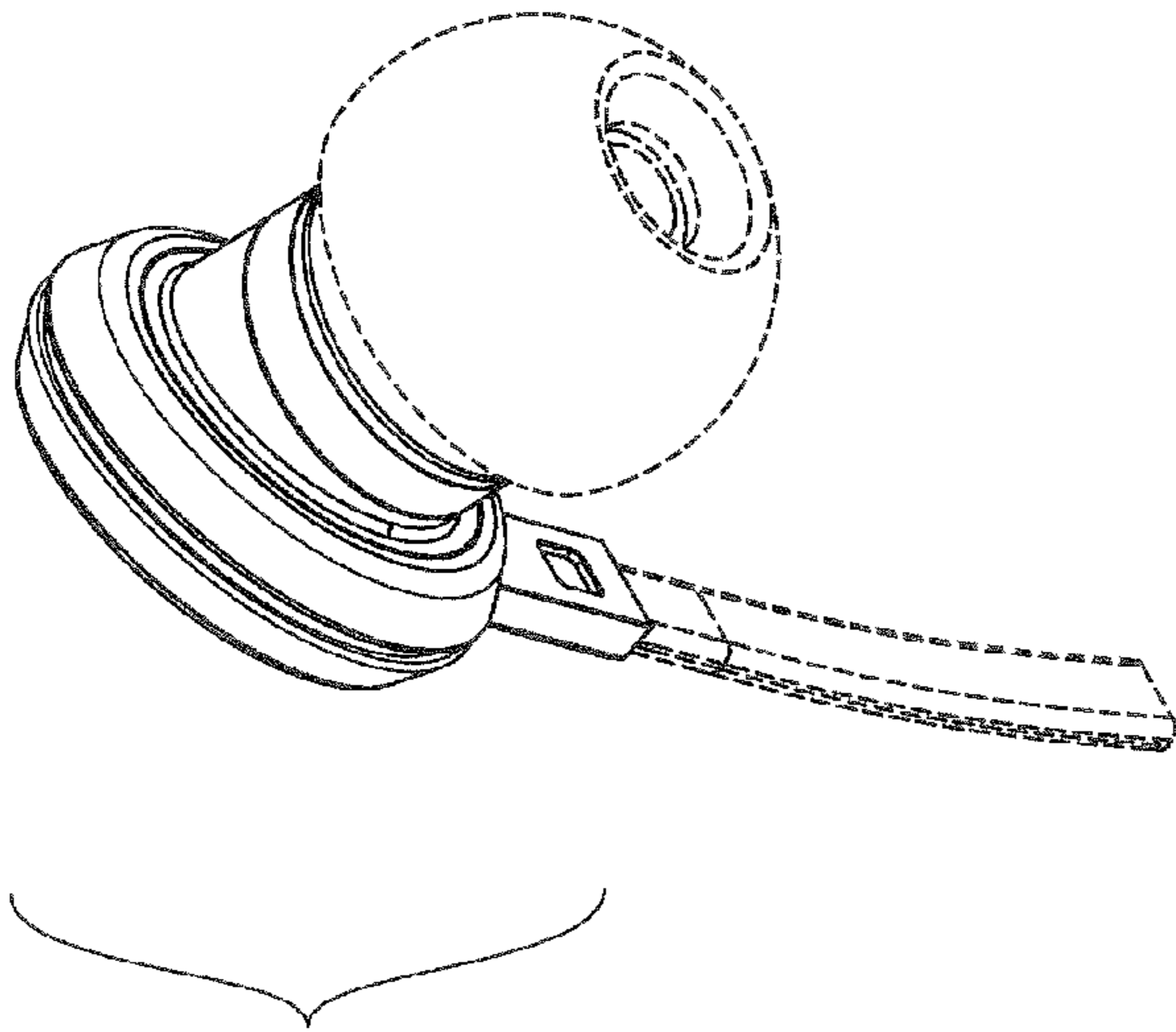


Figure 1



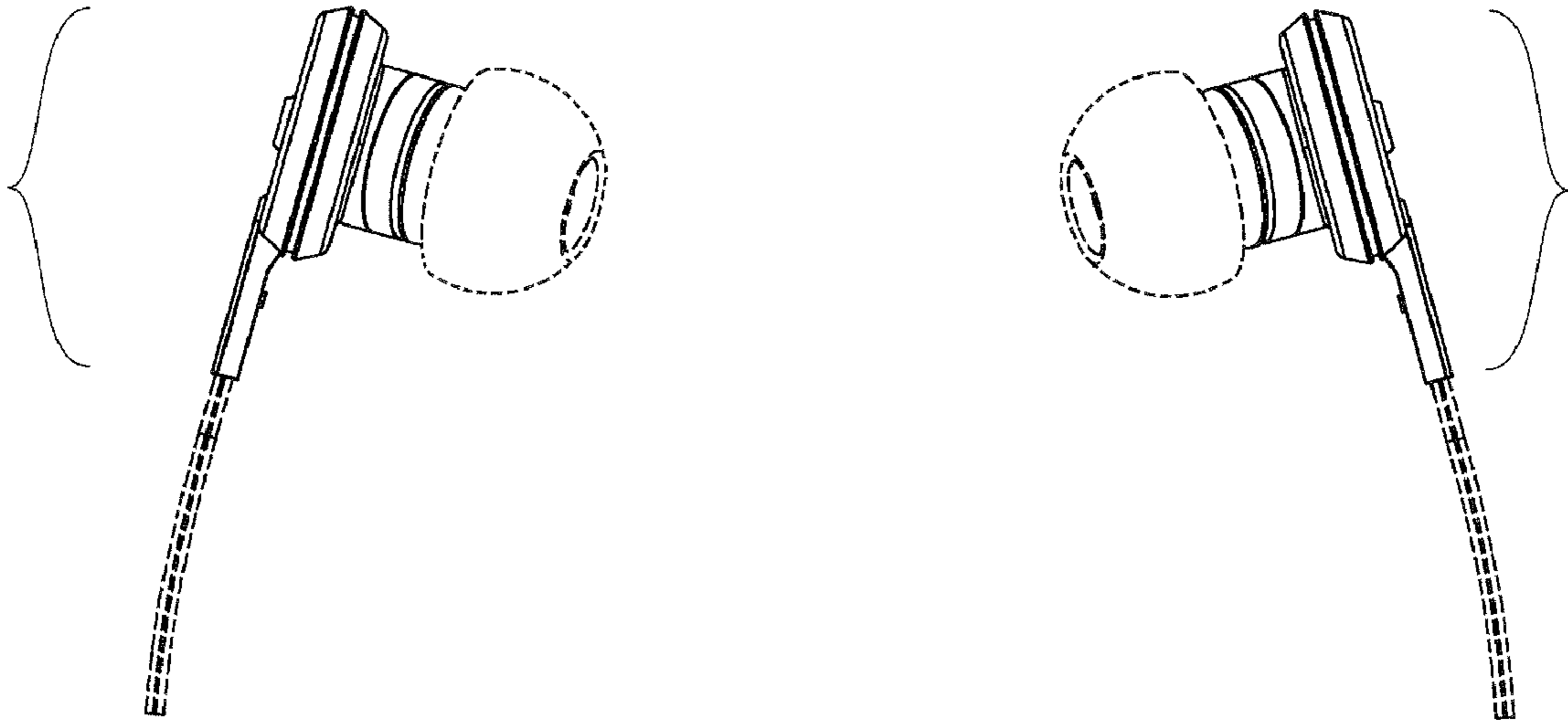


Figure 2

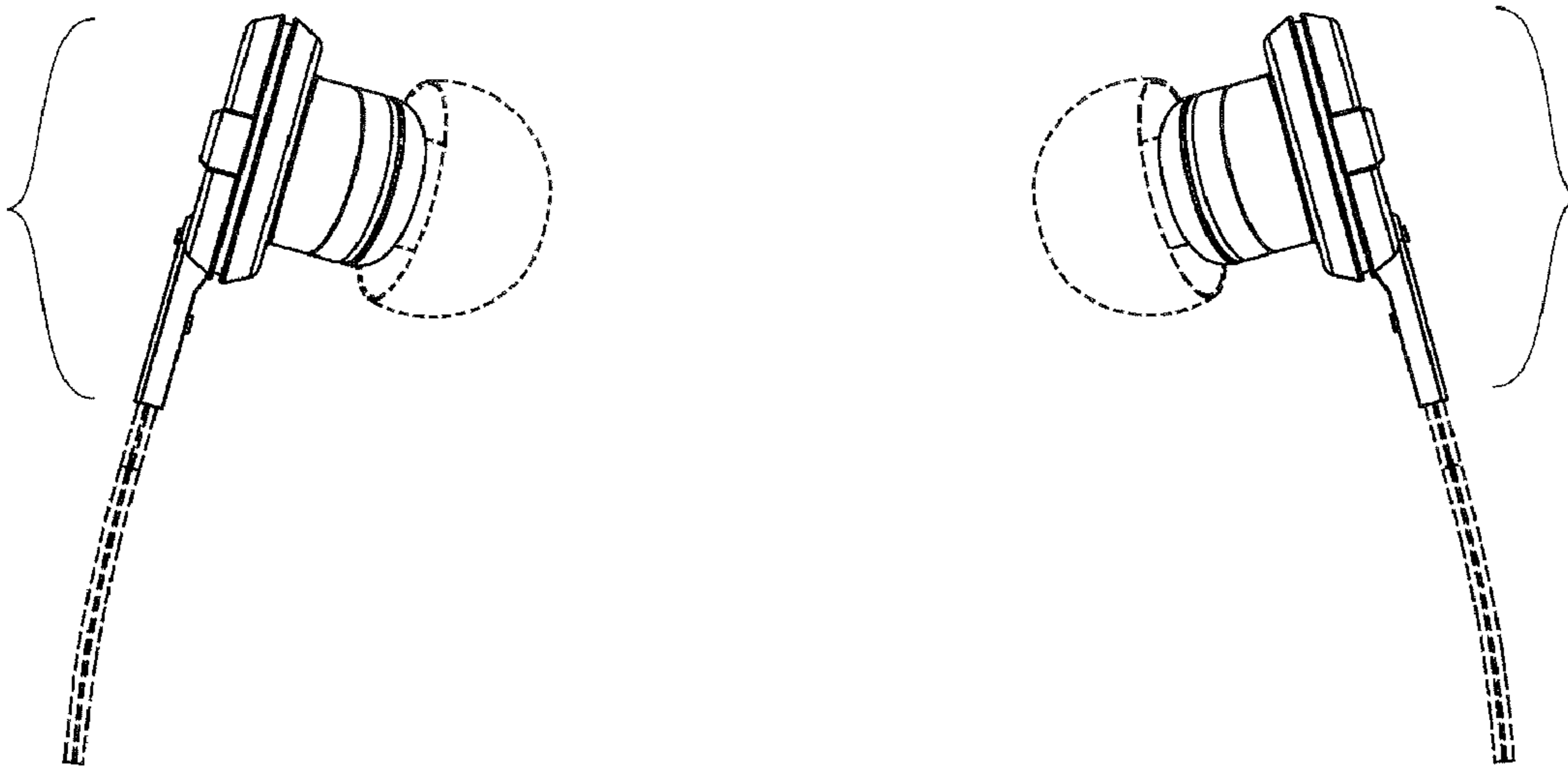


Figure 3

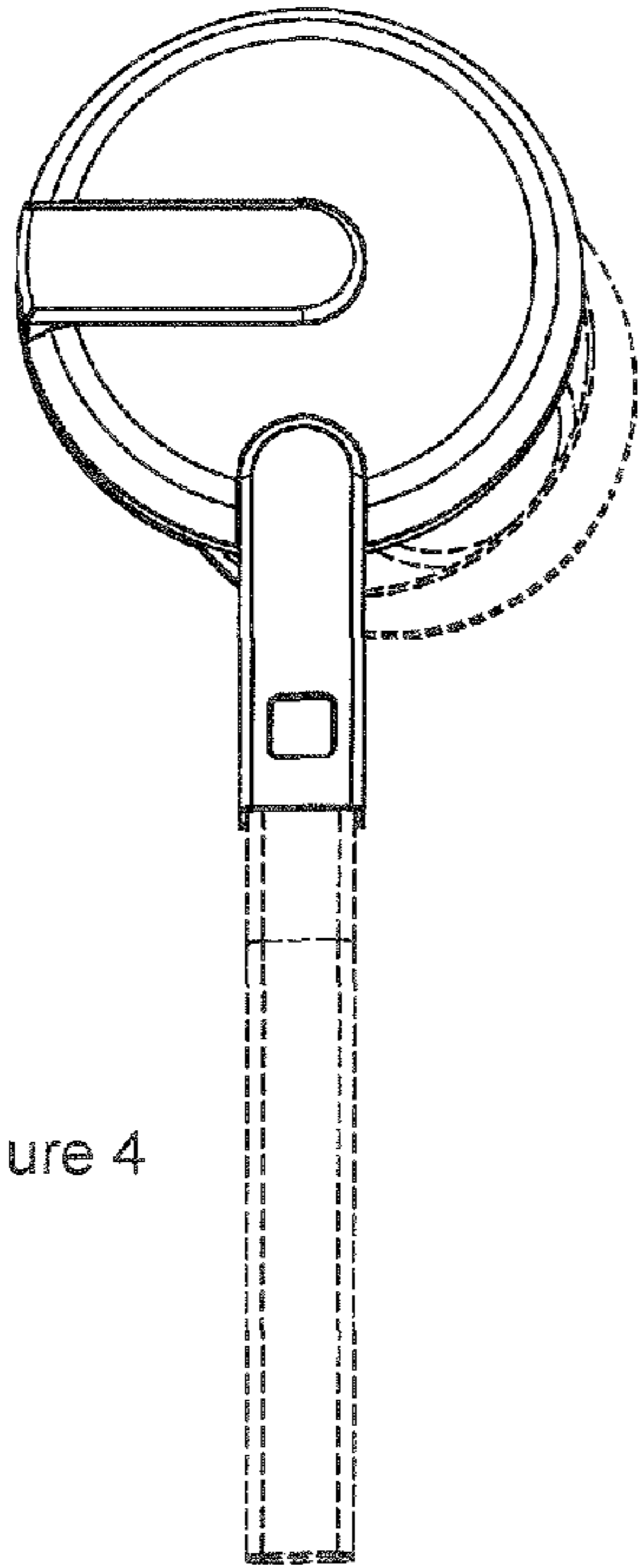


Figure 4

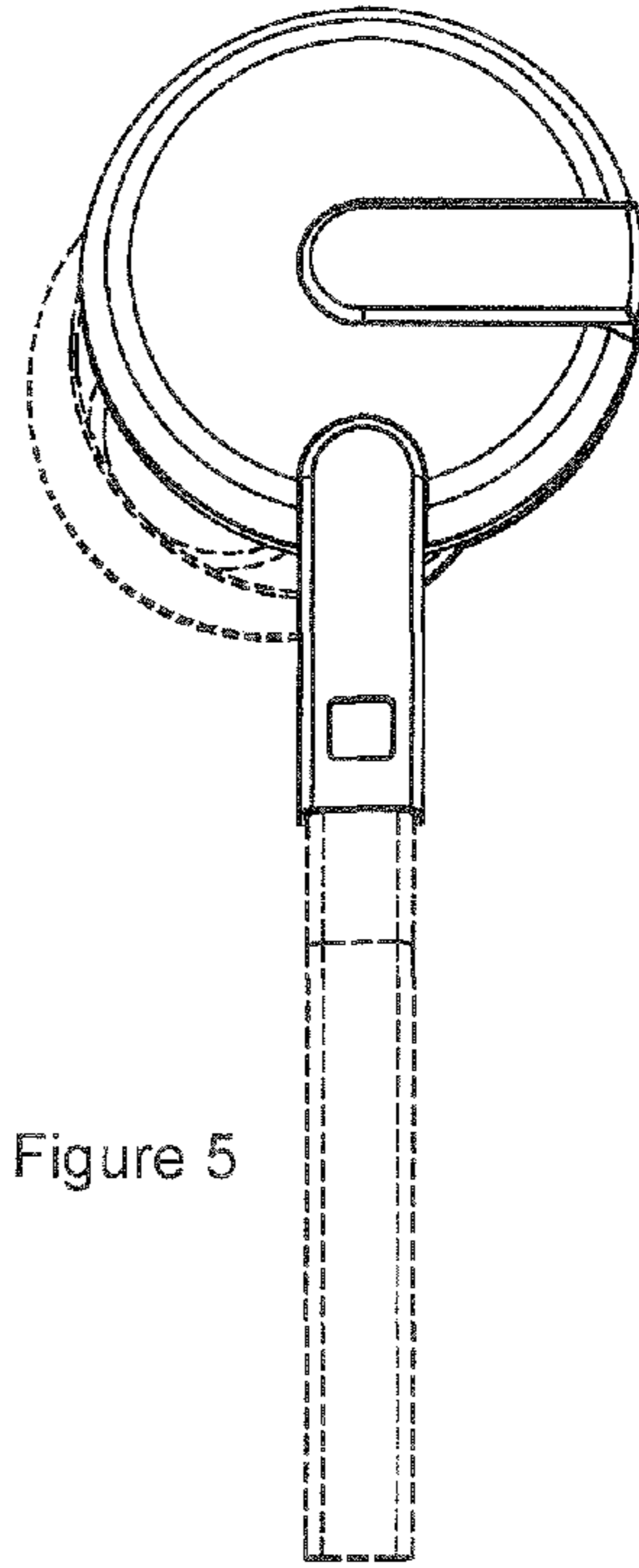


Figure 5

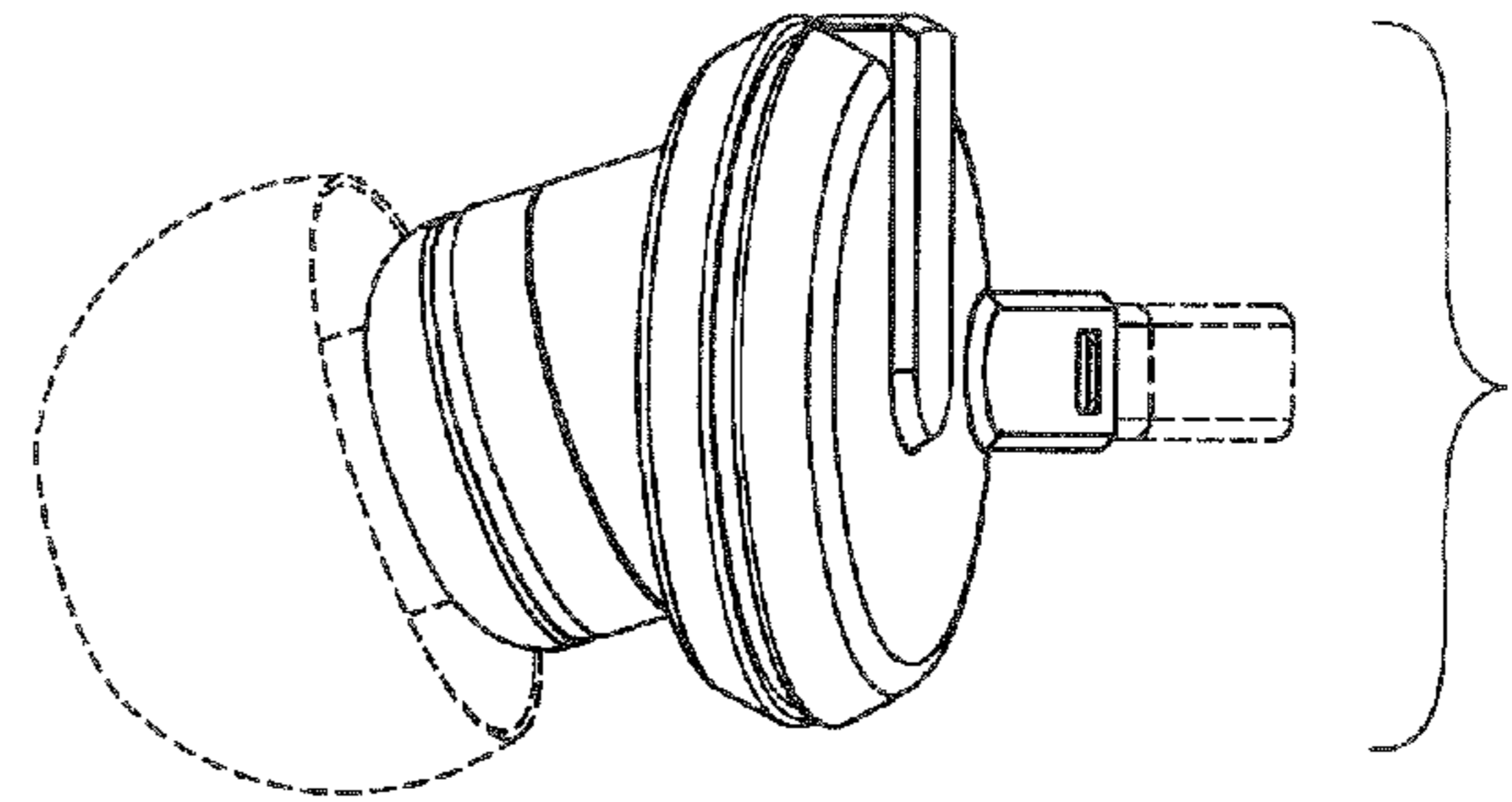
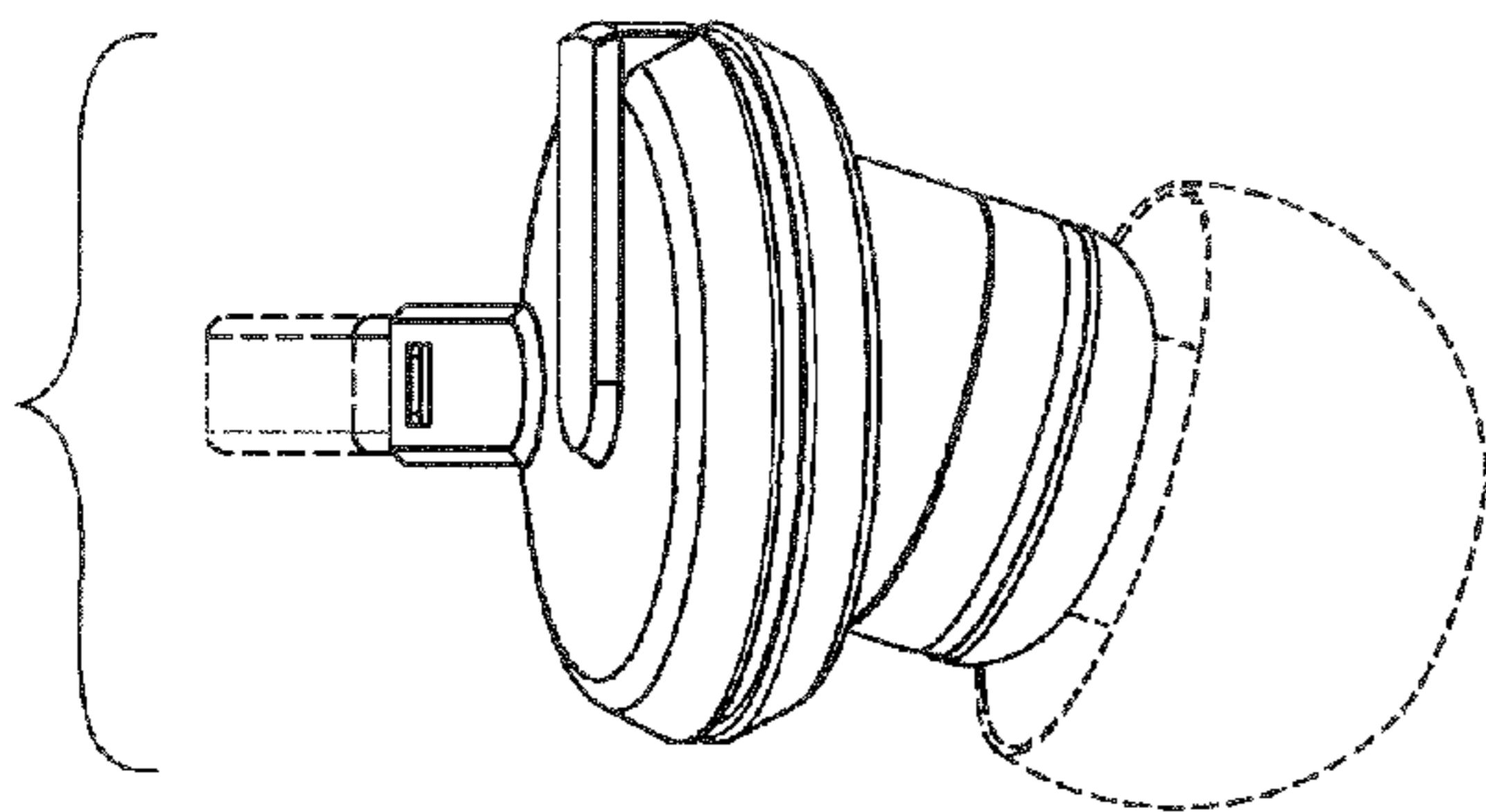


Figure 6

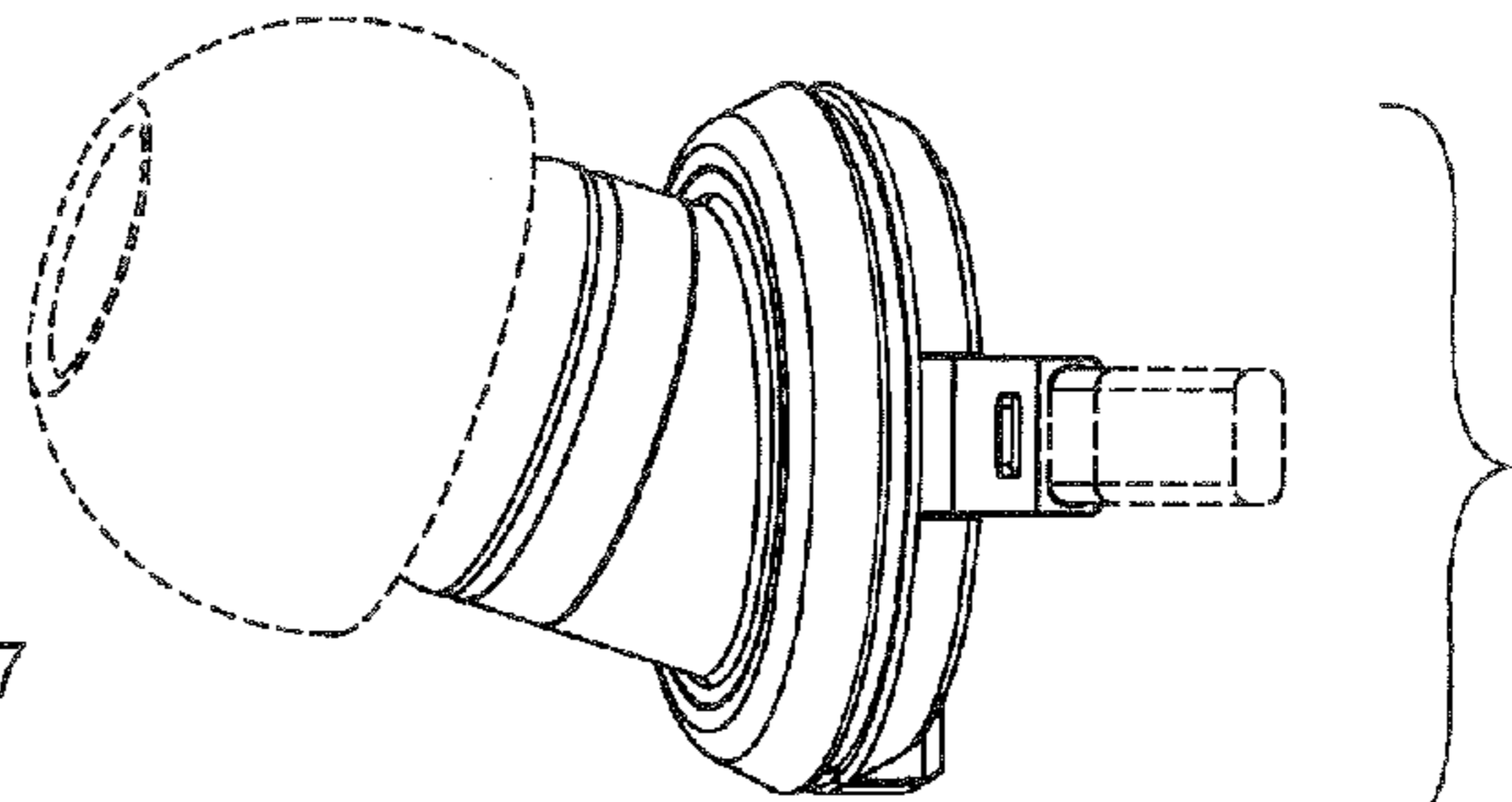
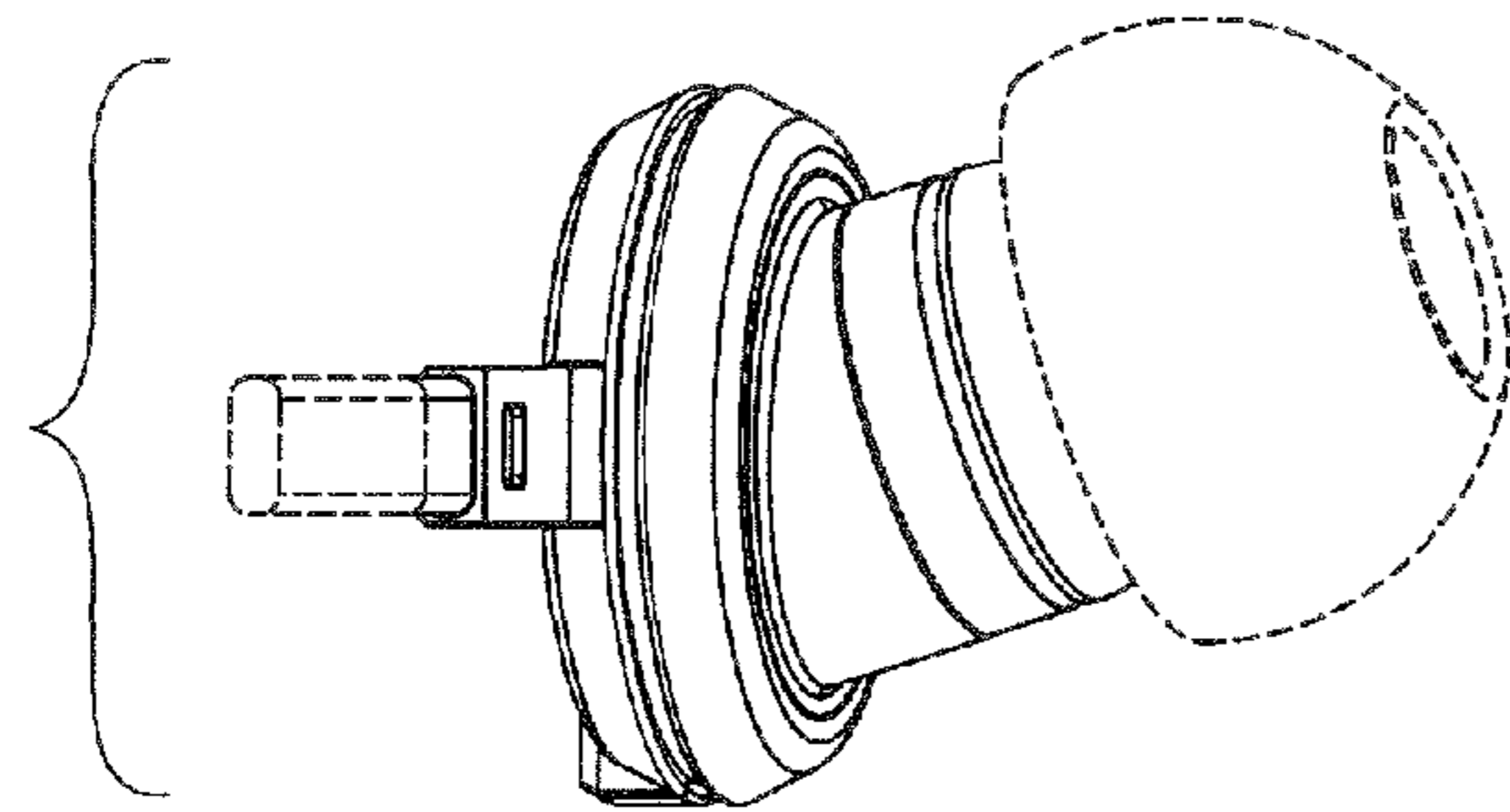


Figure 7