



US00D637181S

(12) **United States Design Patent**  
**Fuller et al.**

(10) **Patent No.:** **US D637,181 S**  
(45) **Date of Patent:** **\*\* May 3, 2011**

(54) **HEADPHONE**

(75) Inventors: **Glen D. Fuller**, Indianapolis, IN (US);  
**Mark A. Blanchard**, Lebanon, IN (US);  
**Thomas E. Gospel**, Carmel, IN (US);  
**Bradley C. Geswein**, Plainfield, IN (US)

(73) Assignee: **Klipsch Group, Inc.**, Indianapolis, IN (US)

(\*\*) Term: **14 Years**

(21) Appl. No.: **29/348,856**

(22) Filed: **Feb. 16, 2010**

(51) **LOC (9) Cl.** ..... **14-01**

(52) **U.S. Cl.** ..... **D14/223**

(58) **Field of Classification Search** ..... D14/205,  
D14/206, 223, 249; 181/129, 130, 135; 379/430,  
379/431, 433.01, 433.02, 433.03; 381/380,  
381/381, 370; D29/112; 455/90.3, 575.2  
See application file for complete search history.

(56) **References Cited**

**U.S. PATENT DOCUMENTS**

D340,932 S \* 11/1993 Yan ..... D14/249  
D567,217 S \* 4/2008 Kamo et al. .... D14/205  
D572,703 S \* 7/2008 Ledbetter et al. .... D14/205

D587,681 S \* 3/2009 Yanai ..... D14/205  
D589,493 S \* 3/2009 Densho ..... D14/206  
D605,182 S \* 12/2009 Fagnot ..... D14/223  
D606,971 S \* 12/2009 Christopher et al. .... D14/205  
D607,880 S \* 1/2010 Chung et al. .... D14/223  
D616,874 S \* 6/2010 Matsuoka ..... D14/223  
D618,670 S \* 6/2010 Tahara ..... D14/223  
D618,672 S \* 6/2010 Harbeke et al. .... D14/223  
D622,855 S \* 8/2010 Cano, Jr. .... D24/174

\* cited by examiner

*Primary Examiner* — Paula Greene

(74) *Attorney, Agent, or Firm* — Krieg DeVault LLP

(57) **CLAIM**

The ornamental design for a headphone, as shown and described.

**DESCRIPTION**

FIG. 1 is a perspective view of a headphone showing our new design;

FIG. 2 is a left side elevational view thereof;

FIG. 3 is a right side elevational view thereof;

FIG. 4 is a front elevational view thereof;

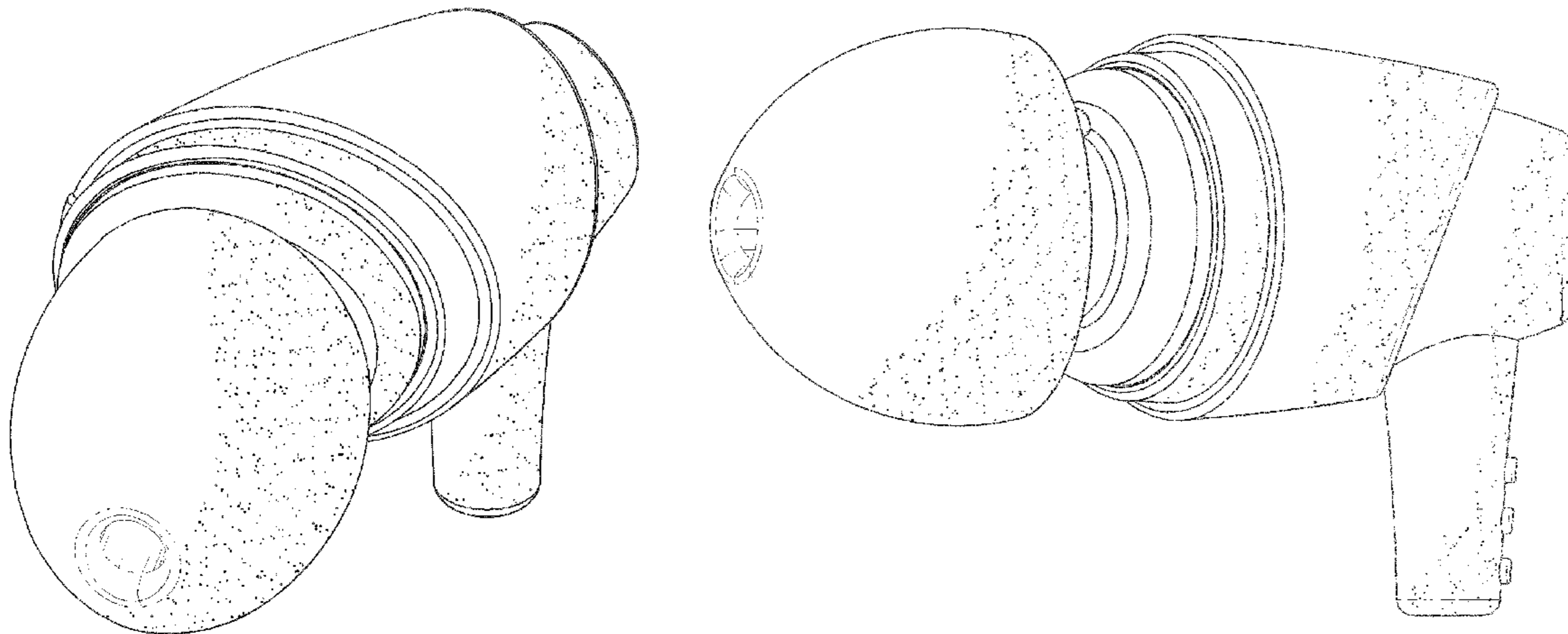
FIG. 5 is a back view of the new design;

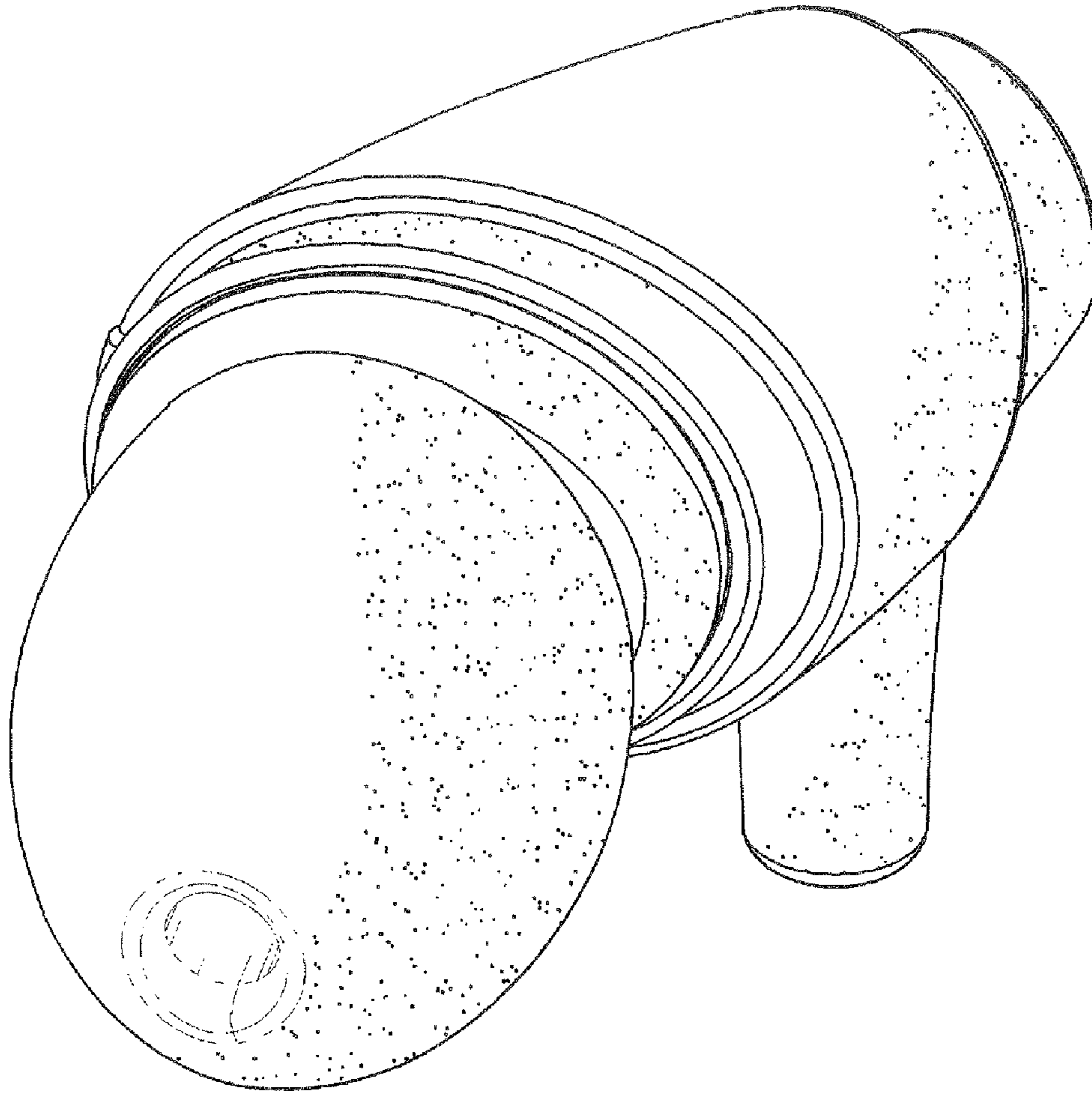
FIG. 6 is a bottom view thereof; and,

FIG. 7 is a top plan view thereof.

The broken lines form no part of the claimed design.

**1 Claim, 7 Drawing Sheets**





**Fig. 1**

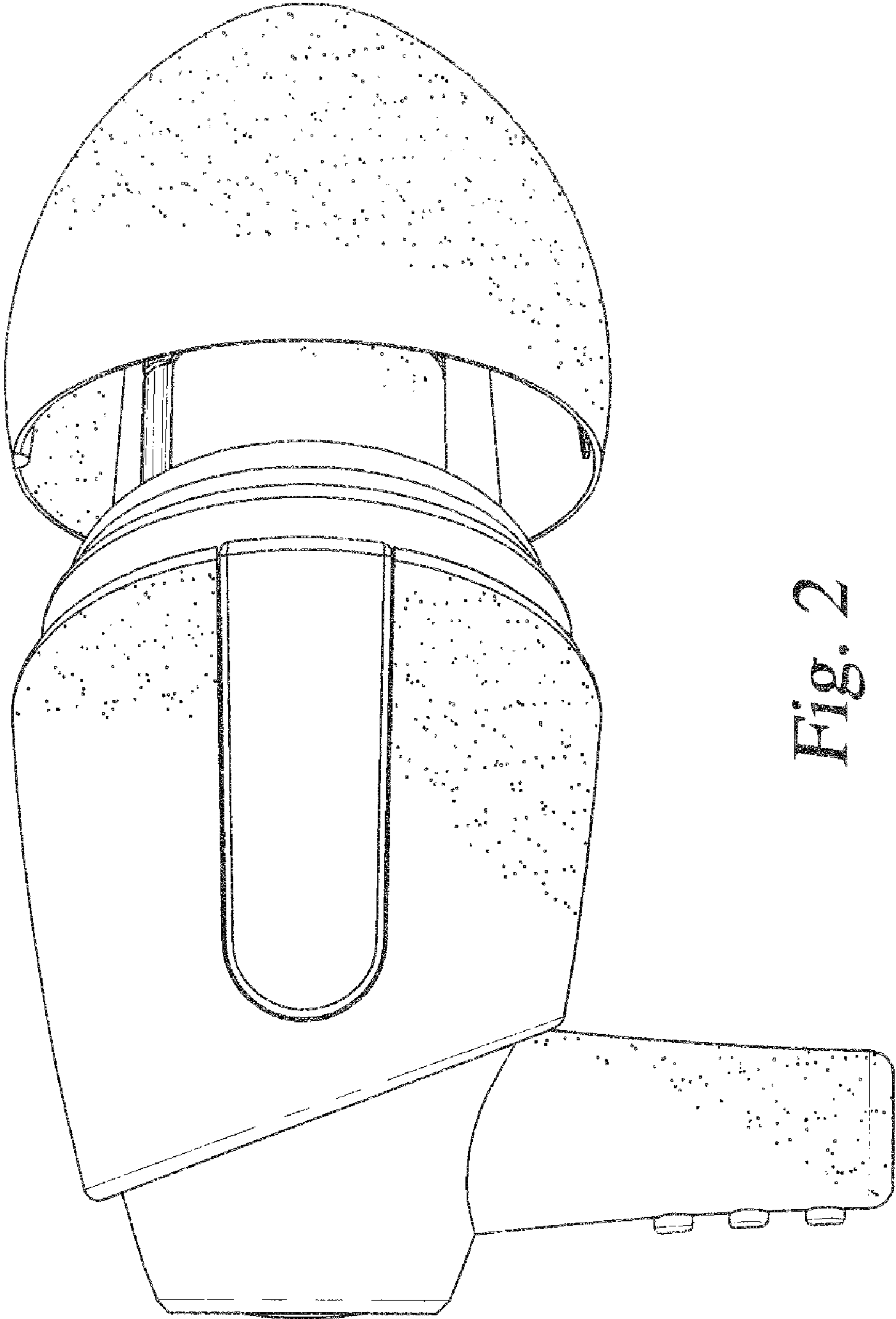


Fig. 2

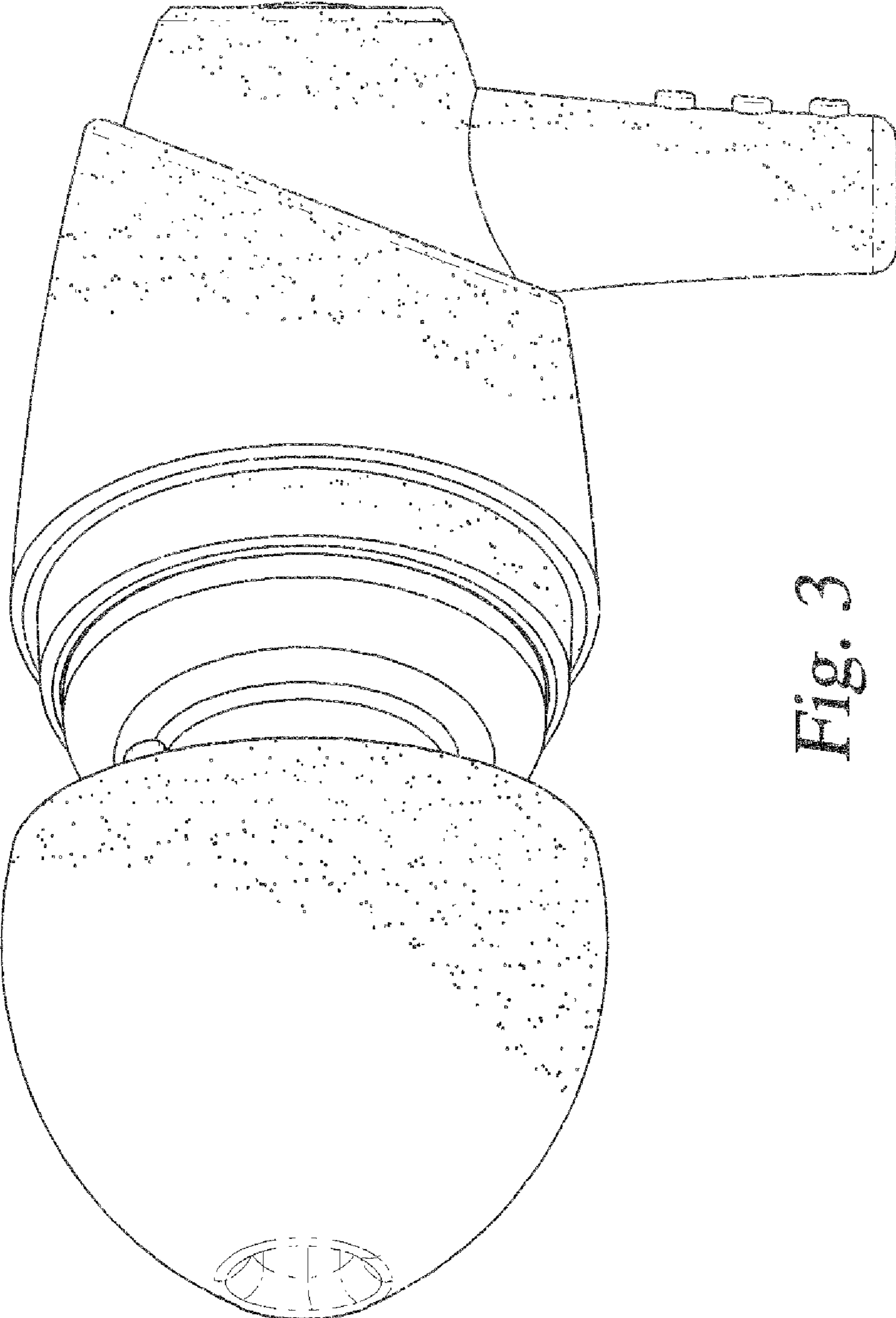
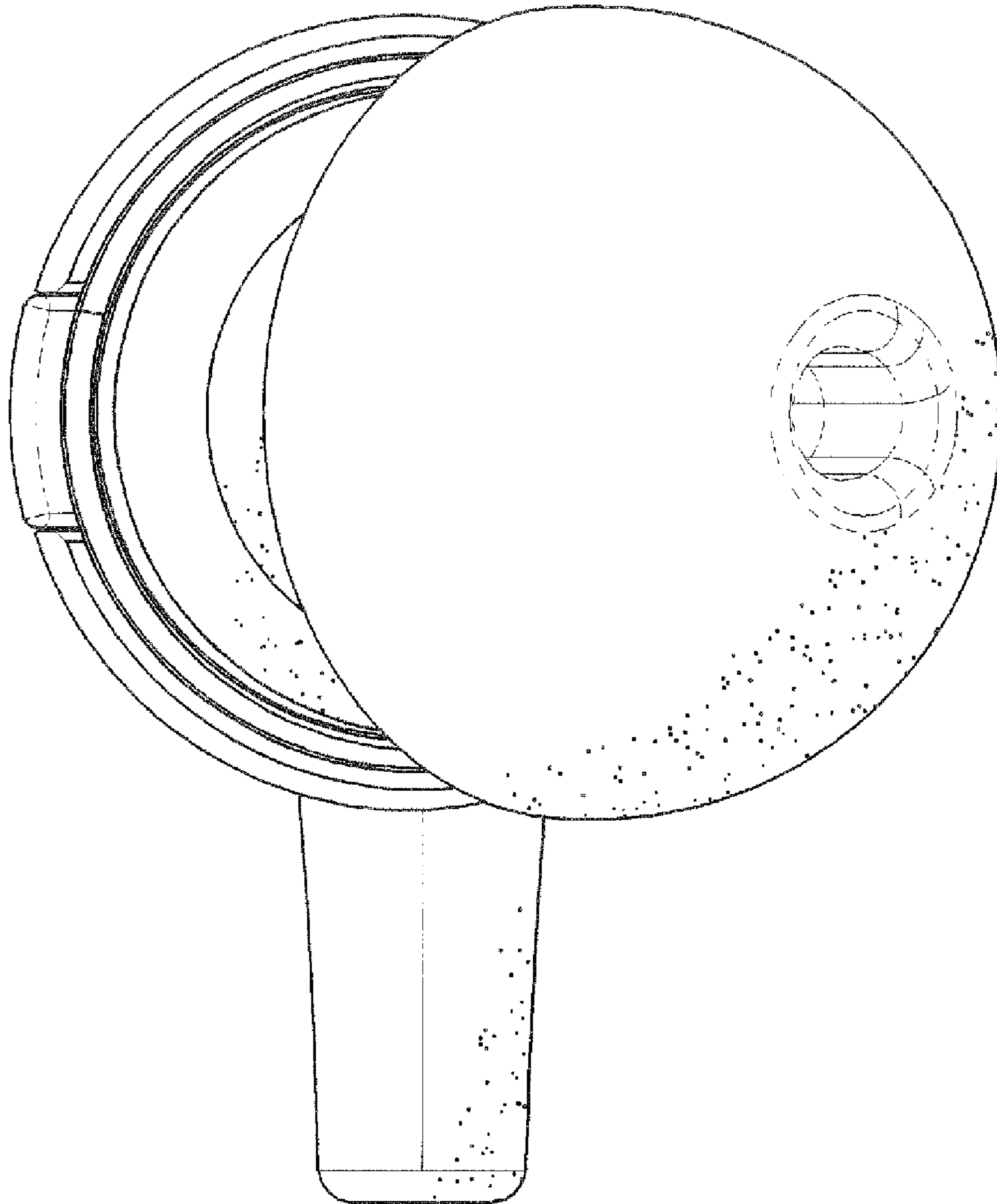
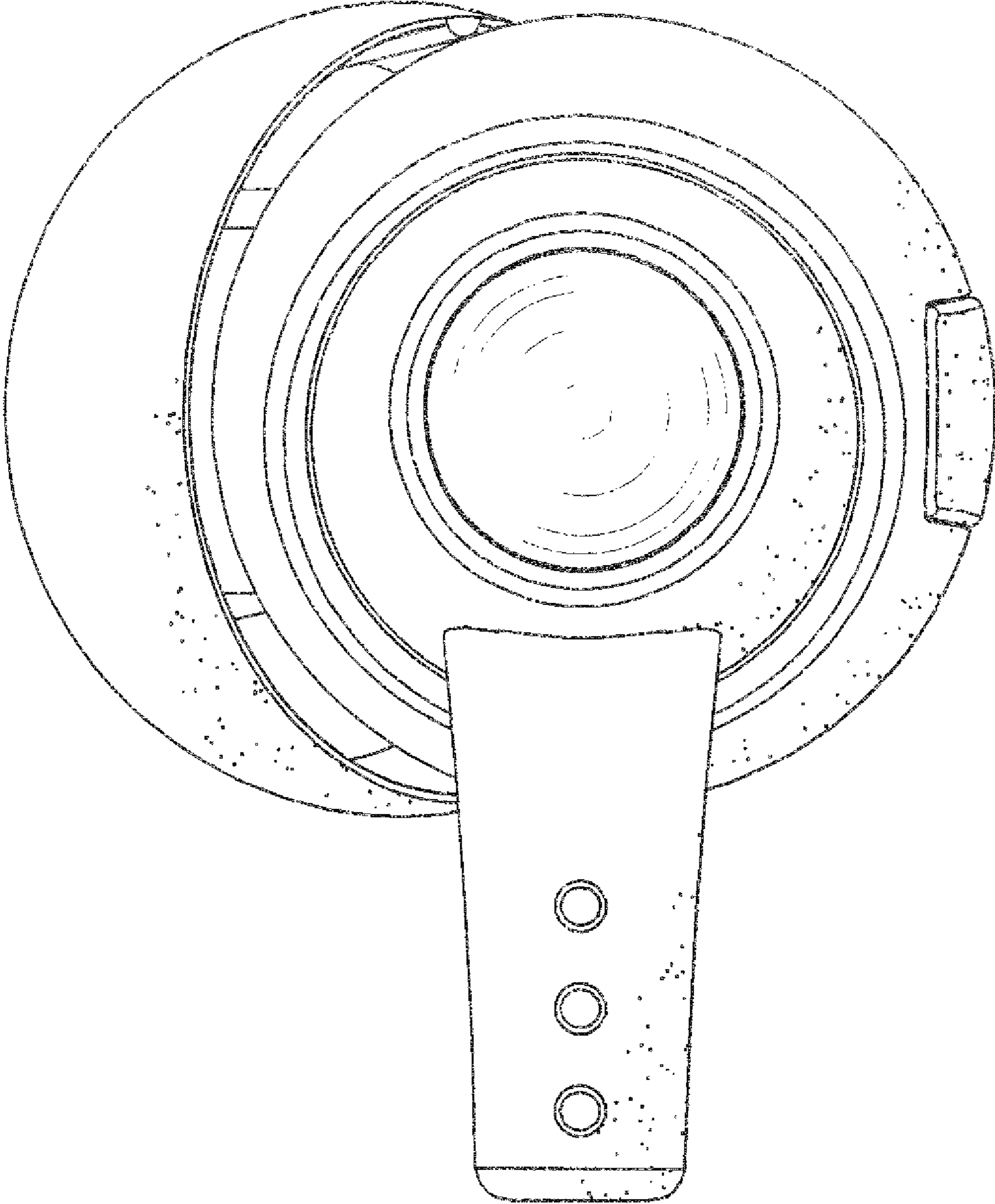


Fig. 3



*Fig. 4*





*Fig. 5*

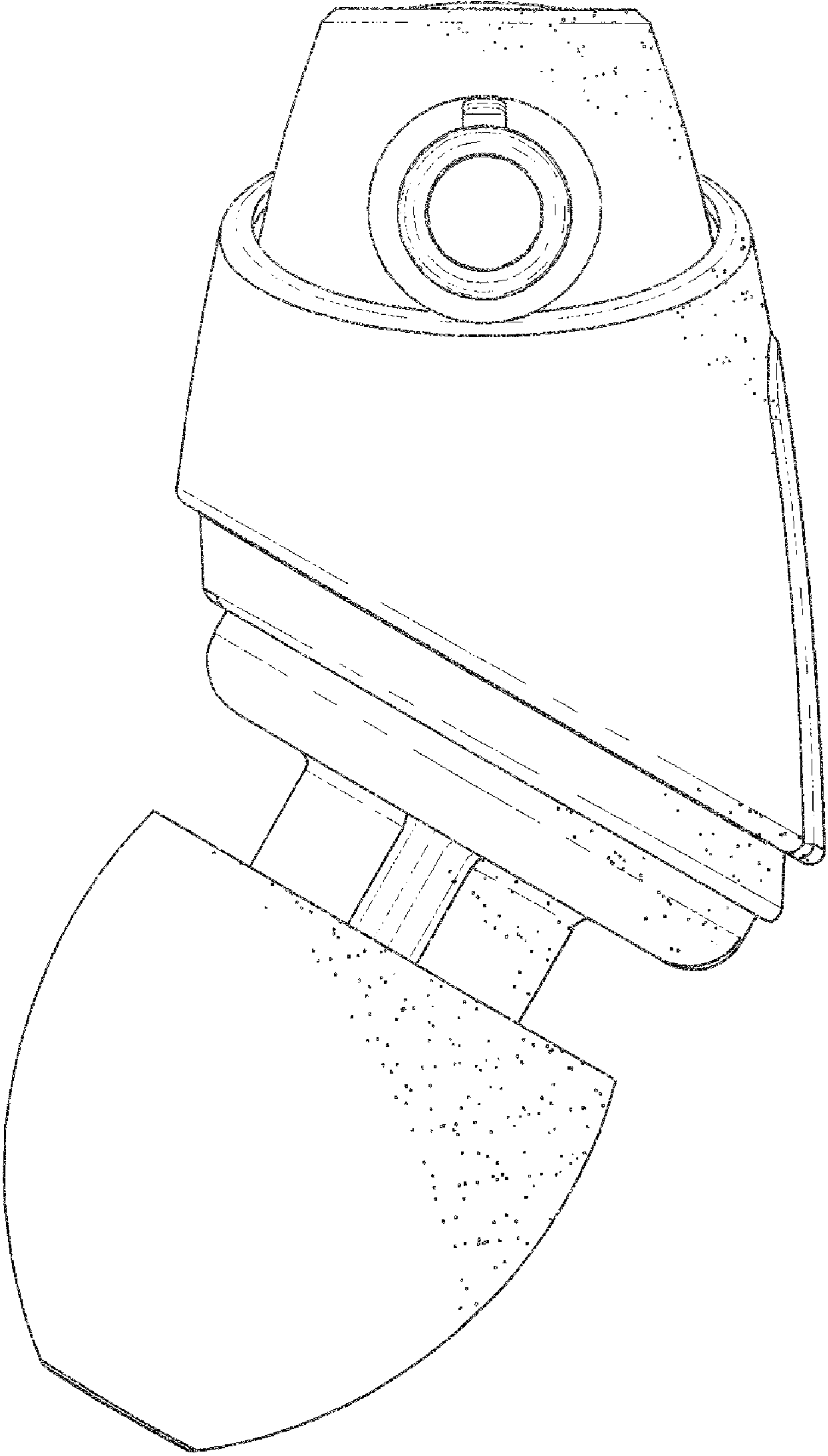


Fig. 6

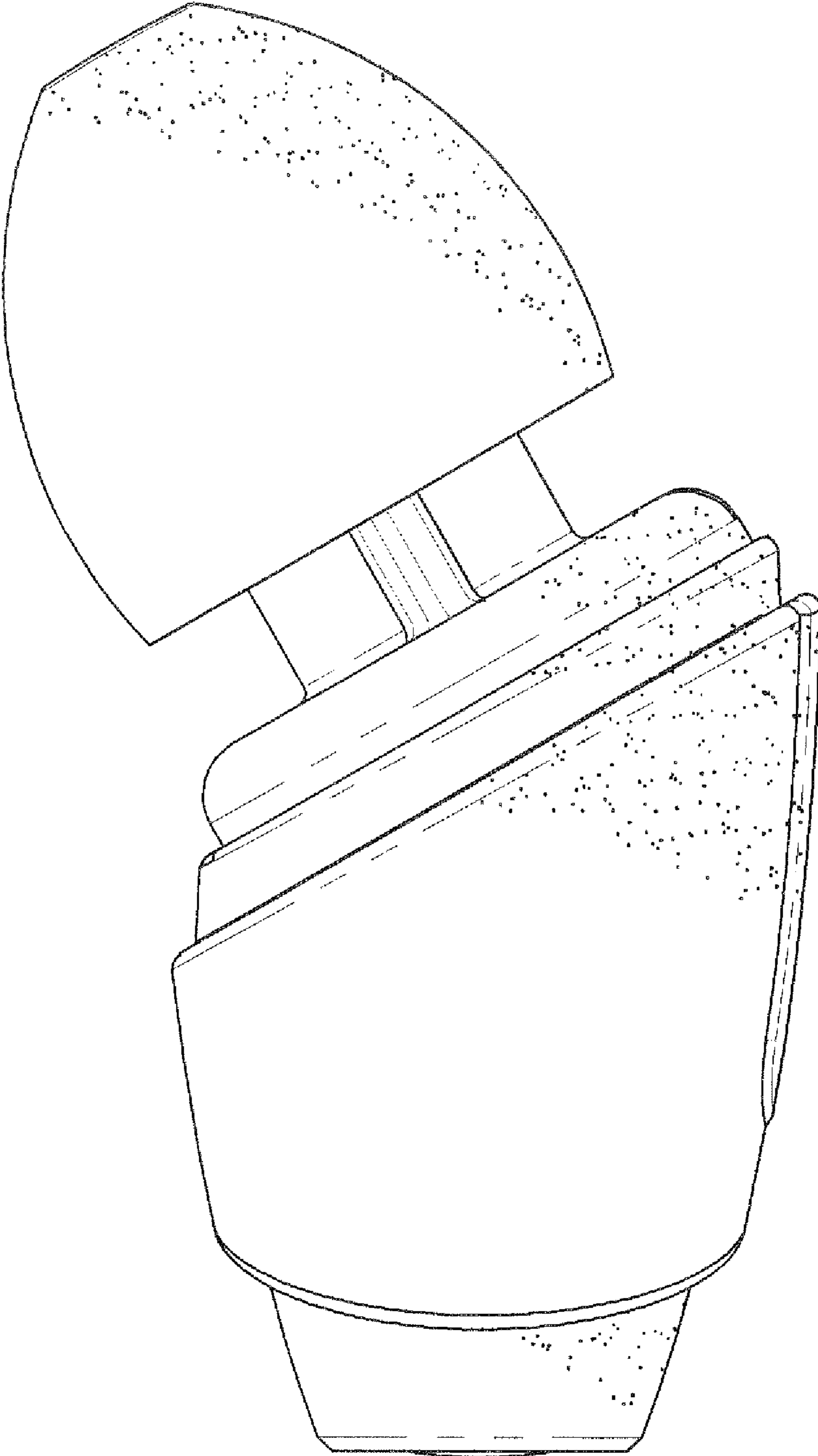


Fig. 7