



US00D637180S

(12) **United States Design Patent**  
**Shimizu et al.**

(10) **Patent No.:** **US D637,180 S**

(45) **Date of Patent:** **\*\* May 3, 2011**

(54) **EARPHONE**

D24/174, 106; 455/569.1, 90.3; 128/864,  
866

(75) Inventors: **Yosuke Shimizu**, Tokyo (JP); **Keiko Densho**, Tokyo (JP); **Naoki Sugiyama**, Tokyo (JP); **Sohei Kitayama**, Tokyo (JP); **So Morimoto**, Tokyo (JP); **Naoto Shimizu**, Tokyo (JP)

See application file for complete search history.

(73) Assignee: **Sony Corporation**, Tokyo (JP)

(\*\*) Term: **14 Years**

(21) Appl. No.: **29/347,499**

(22) Filed: **Feb. 12, 2010**

**Related U.S. Application Data**

(63) Continuation of application No. 29/311,145, filed on Dec. 31, 2008, now Pat. No. Des. 610,129, which is a continuation-in-part of application No. 29/300,195, filed on Feb. 29, 2008, now Pat. No. Des. 598,431, and a continuation-in-part of application No. 29/300,196, filed on Feb. 29, 2008, now Pat. No. Des. 587,247, and a continuation-in-part of application No. 29/300,197, filed on Feb. 29, 2008, now abandoned, and a continuation-in-part of application No. 29/300,199, filed on Feb. 29, 2008, now Pat. No. Des. 587,249.

**Foreign Application Priority Data**

(30) Aug. 31, 2007 (JP) ..... D2007-023857  
Aug. 31, 2007 (JP) ..... D2007-023863  
Aug. 31, 2007 (JP) ..... D2007-023864  
Aug. 31, 2007 (JP) ..... D2007-023865  
Jul. 4, 2008 (JP) ..... D2008-017355  
Jul. 4, 2008 (JP) ..... D2008-017356  
Jul. 31, 2008 (JP) ..... D2008-019806

(51) **LOC (9) Cl.** ..... **14-01**

(52) **U.S. Cl.** ..... **D14/223**

(58) **Field of Classification Search** ..... D14/205,  
D14/206, 223; 181/128, 129, 130; 381/380,  
381/381, 328; 379/430, 431, 433, 433.01;

(56) **References Cited**

**U.S. PATENT DOCUMENTS**

D449,324	S	*	10/2001	Iue et al.	.....	D16/202
D462,080	S	*	8/2002	Suzuki et al.	.....	D16/219
D484,166	S	*	12/2003	Senda	.....	D16/219
D502,202	S	*	2/2005	Mitsuse	.....	D16/219
7,092,543	B1	*	8/2006	Mahoney et al.	.....	381/328
7,221,768	B2	*	5/2007	Sjursen et al.	.....	381/322
D564,495	S	*	3/2008	Sasaki	.....	D14/205
D567,217	S	*	4/2008	Kamo et al.	.....	D14/205
D572,703	S	*	7/2008	Ledbetter et al.	.....	D14/205
D575,773	S	*	8/2008	Yanai	.....	D14/223
D576,154	S	*	9/2008	Ledbetter et al.	.....	D14/223
D587,247	S	*	2/2009	Densho	.....	D14/223
D587,249	S	*	2/2009	Densho	.....	D14/223
D587,681	S	*	3/2009	Yanai	.....	D14/205
D587,685	S	*	3/2009	Densho	.....	D14/206

(Continued)

*Primary Examiner* — Paula Greene

(74) *Attorney, Agent, or Firm* — Rader, Fishman & Grauer PLLC

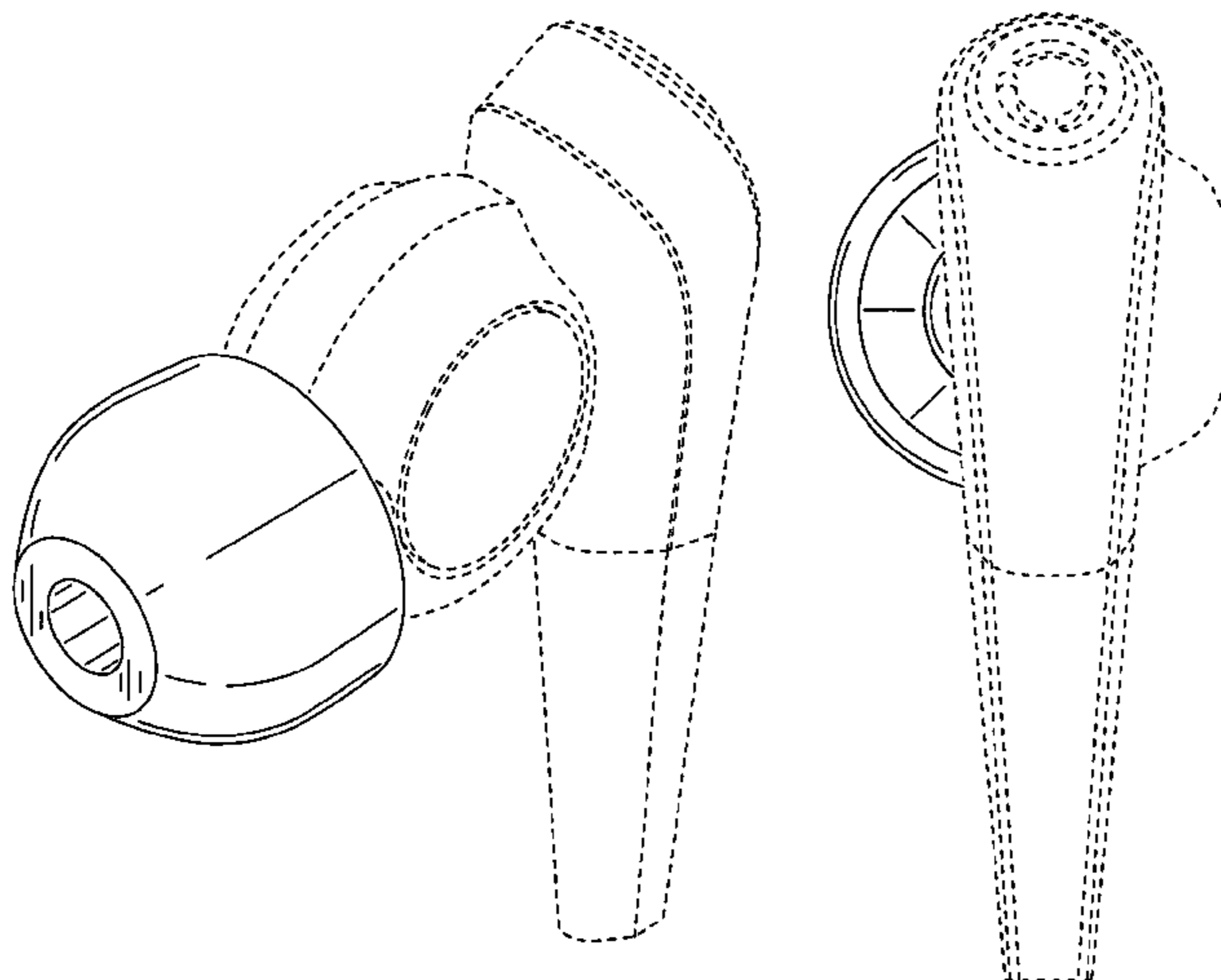
(57) **CLAIM**

The ornamental design for an earphone, as shown and described.

**DESCRIPTION**

FIG. 1 is a front, top, right perspective view of an earphone showing our new design;  
FIG. 2 is a front elevational view thereof;  
FIG. 3 is a rear elevational view thereof;  
FIG. 4 is a left side elevational view thereof;  
FIG. 5 is a right side elevational view thereof;  
FIG. 6 is a top plan view thereof; and,  
FIG. 7 is a bottom plan view thereof.

**1 Claim, 7 Drawing Sheets**



# US D637,180 S

Page 2

---

## U.S. PATENT DOCUMENTS

D591,721 S *	5/2009	Densho .....	D14/205	D601,548 S *	10/2009	Morisawa .....	D14/223
D598,431 S *	8/2009	Densho .....	D14/223	D604,272 S *	11/2009	Kitayama .....	D14/223
D598,894 S *	8/2009	Masuda et al. ....	D14/205	D610,129 S *	2/2010	Densho et al. ....	D14/223

\* cited by examiner

FIG. 1

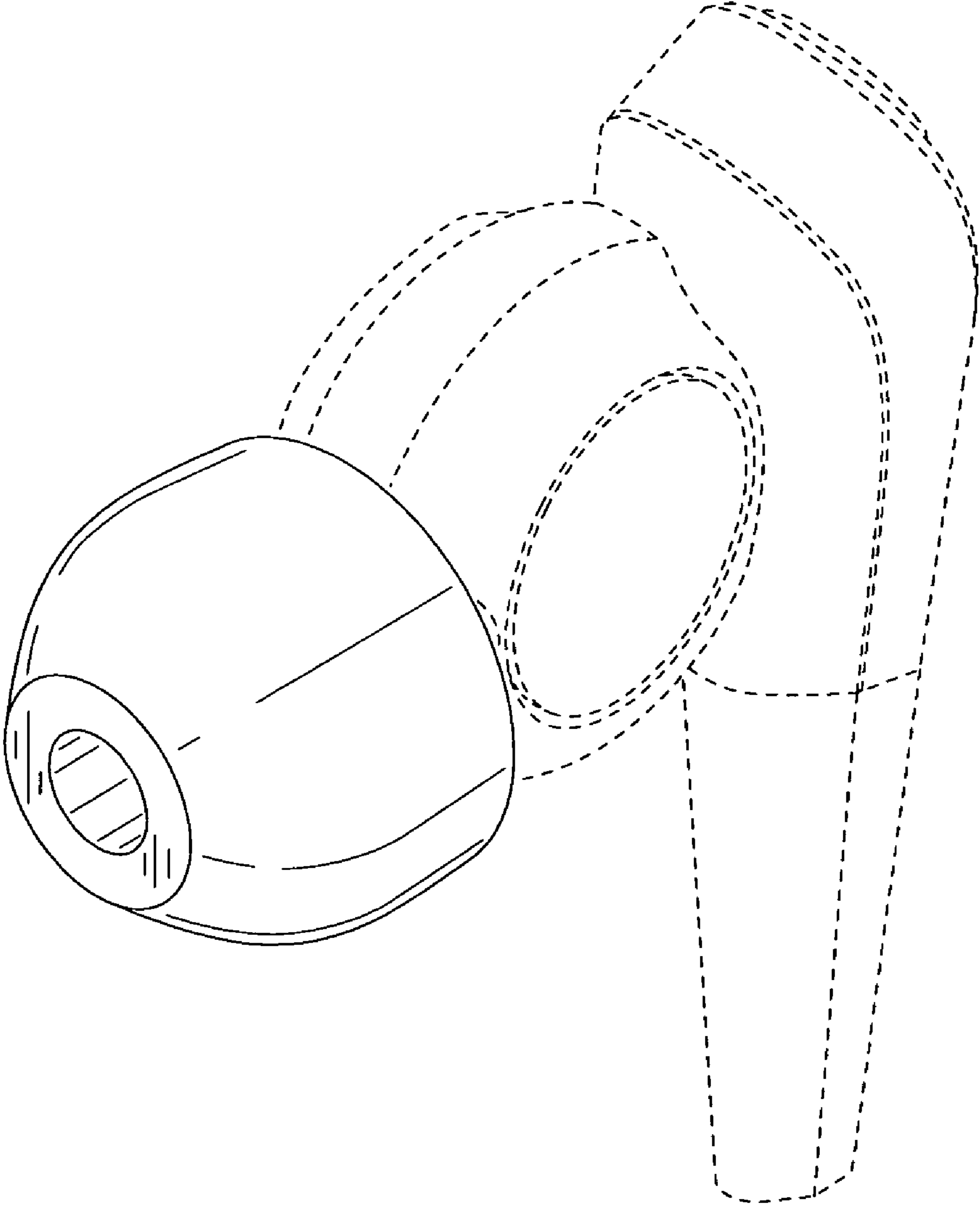


FIG.2

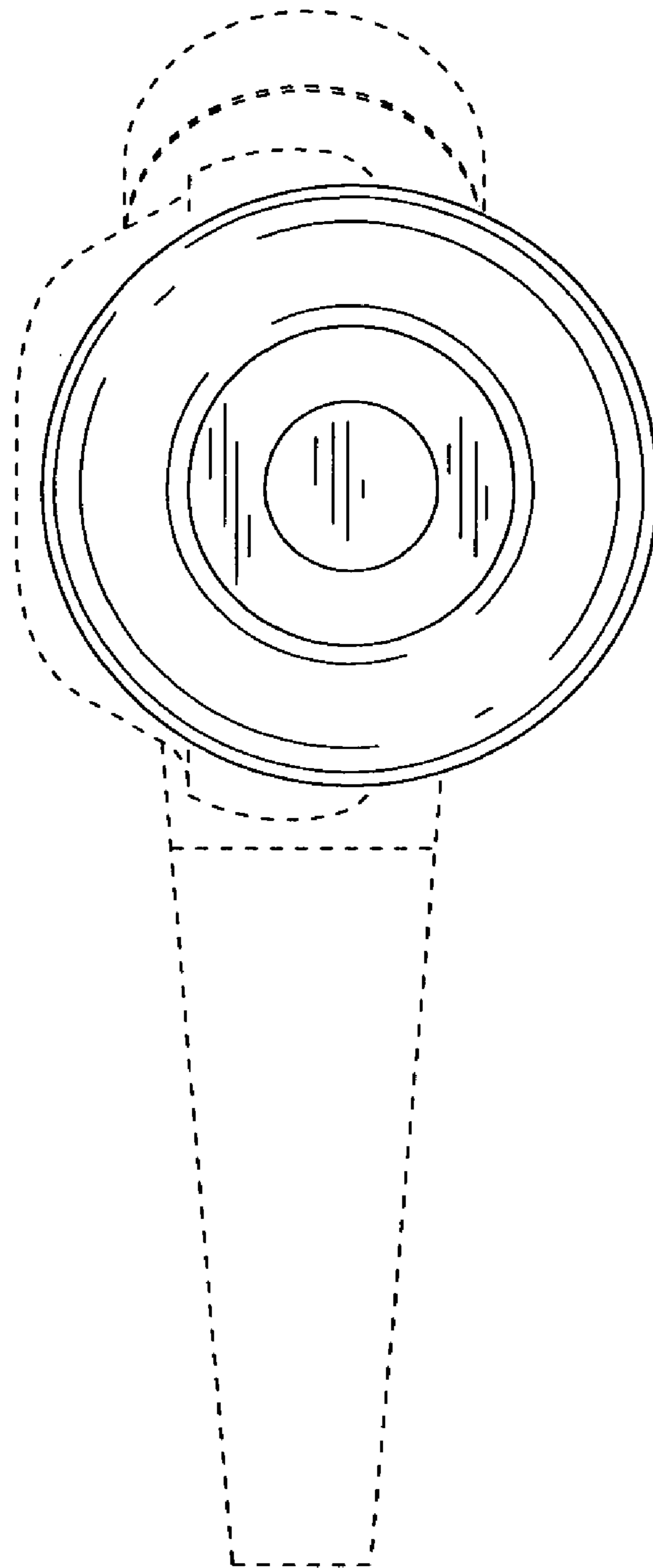


FIG.3

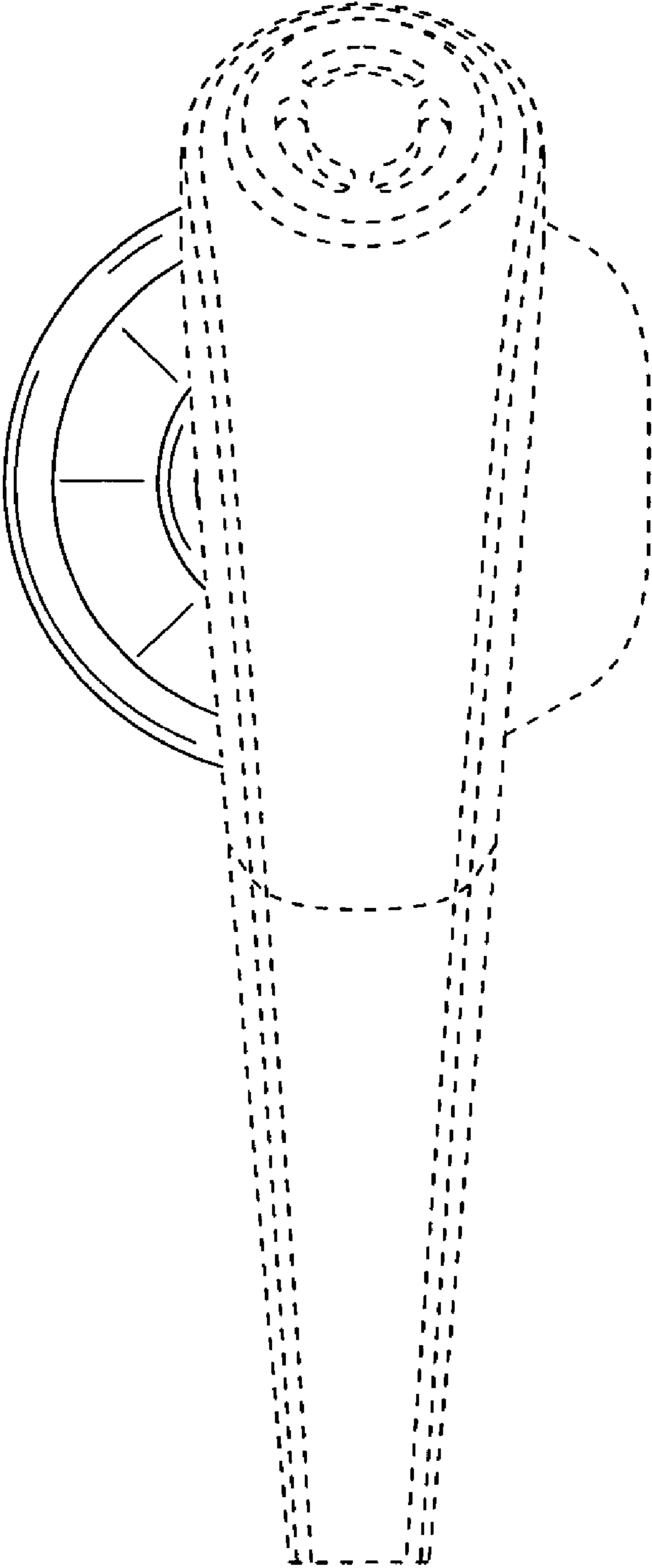


FIG.4

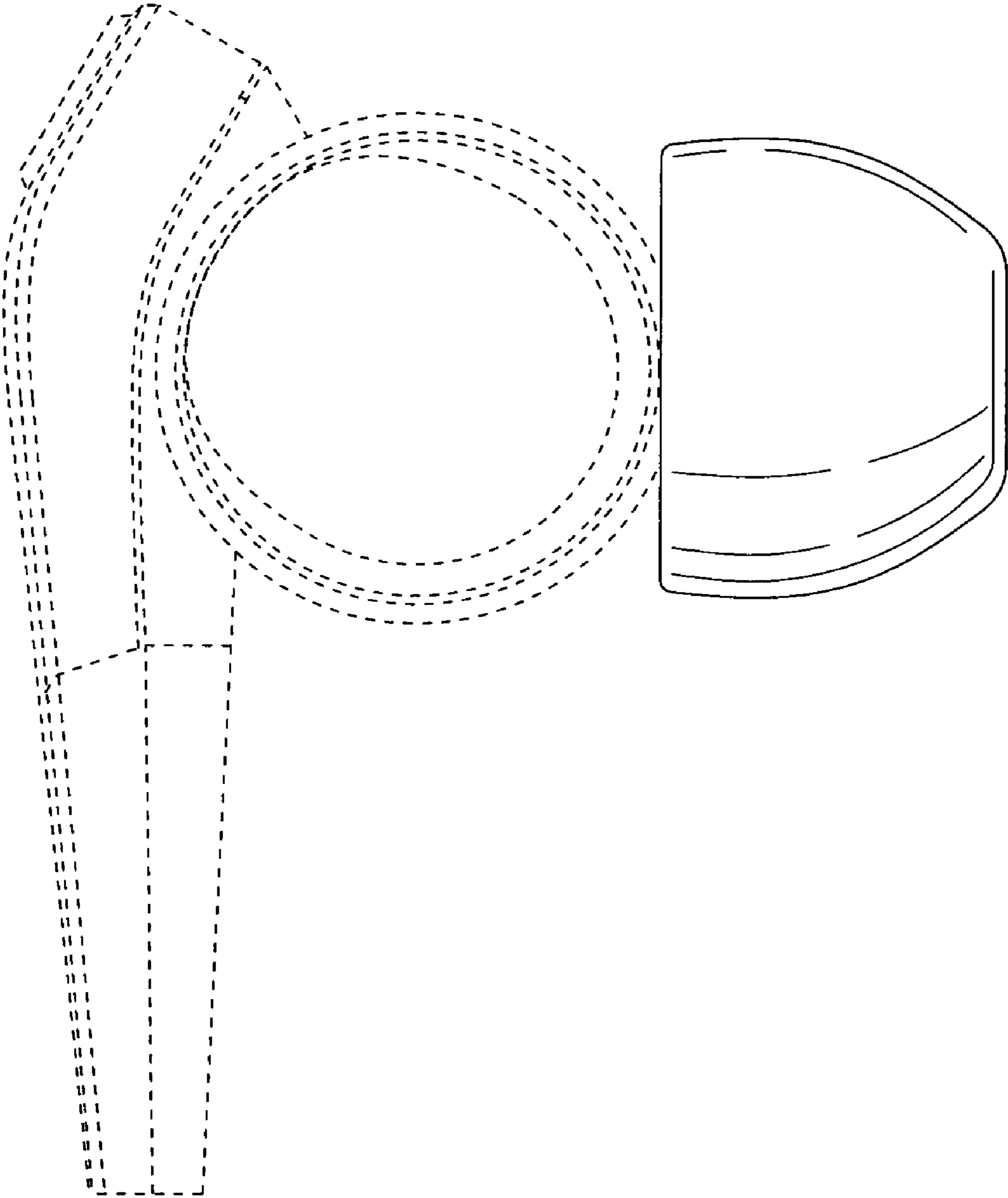


FIG.5

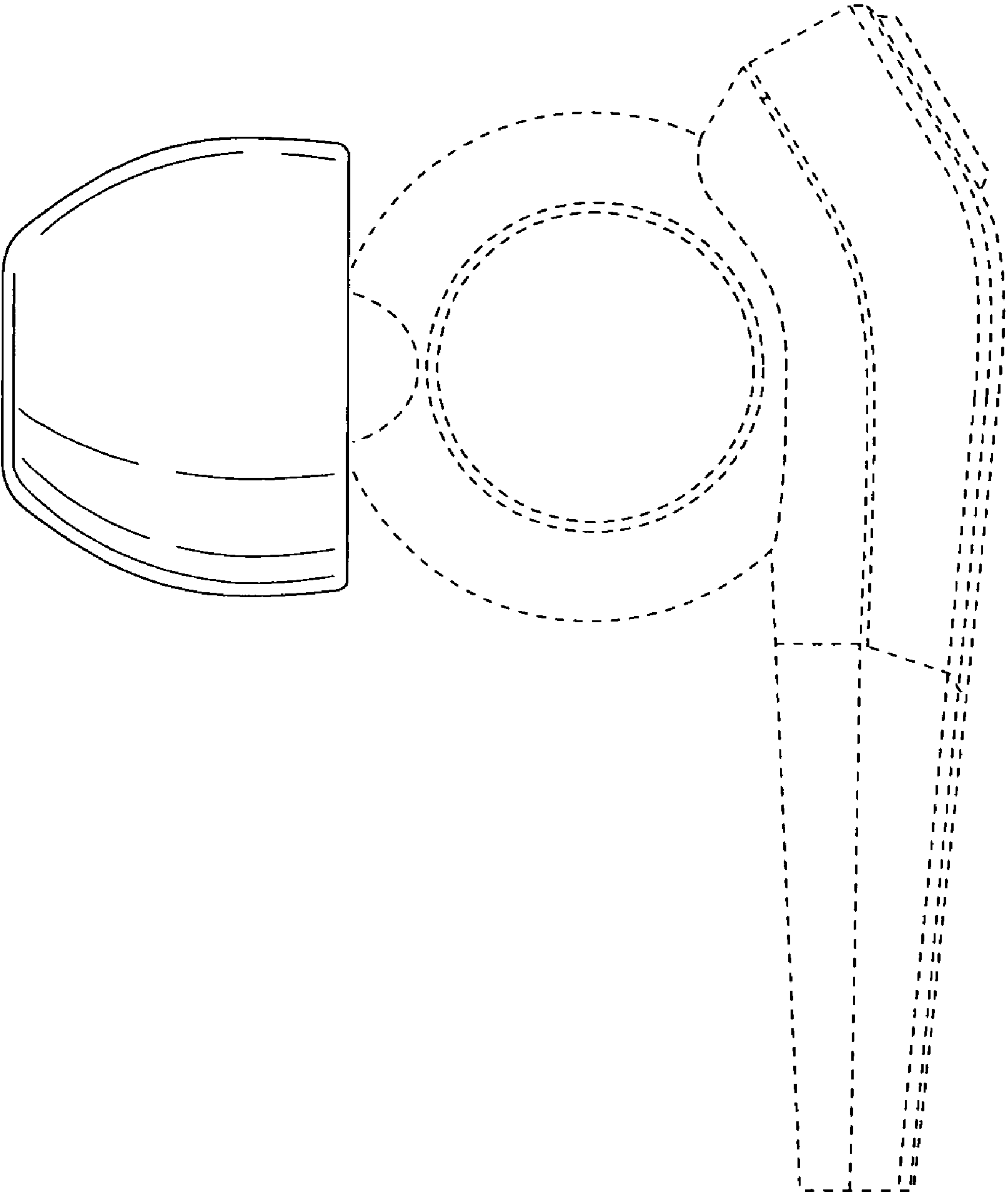


FIG.6

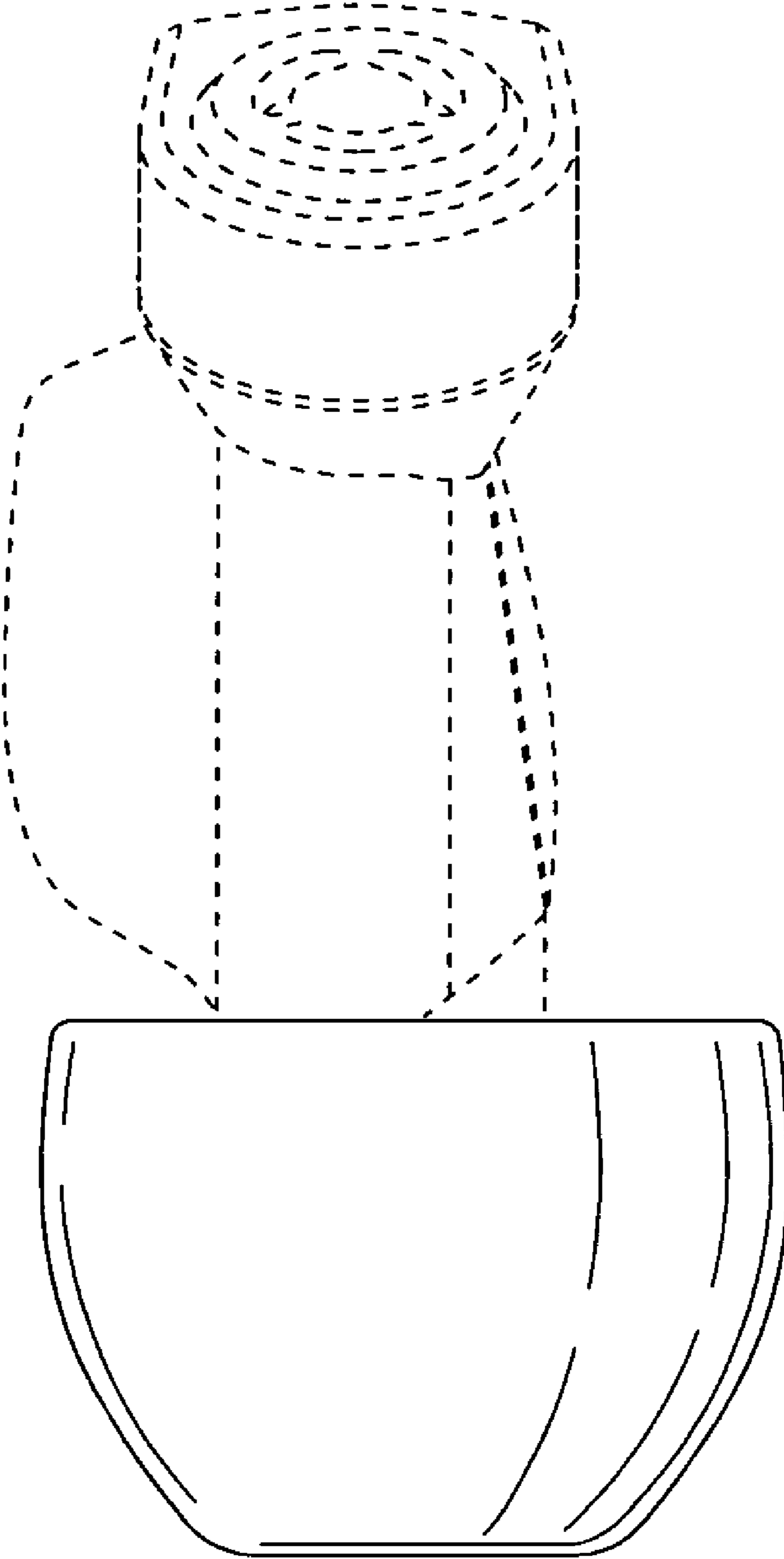




FIG.7

