



US00D637179S

(12) **United States Design Patent**
Chiu

(10) **Patent No.:** **US D637,179 S**

(45) **Date of Patent:** **** May 3, 2011**

(54) **REMOTE CONTROL**

(75) Inventor: **Yi-Chung Chiu**, Taoyuan County (TW)

(73) Assignee: **Hannspree, Inc.**, Taipei County (TW)

(**) Term: **14 Years**

(21) Appl. No.: **29/382,463**

(22) Filed: **Jan. 4, 2011**

(51) **LOC (9) Cl.** **14-03**

(52) **U.S. Cl.** **D14/218**

(58) **Field of Classification Search** D14/218,
D14/455; D13/168; D21/566; D10/104,
D10/106; 345/169; 348/14.05, 114, 211.99,
348/734; 340/825.24; 341/22; 455/92, 95,
455/128, 151.1–151.4, 352, 355, FOR. 121;
700/65

See application file for complete search history.

(56) **References Cited**

U.S. PATENT DOCUMENTS

D90,687 S * 9/1933 Sherrill D1/121
D307,888 S * 5/1990 Ishida D14/346
D329,848 S * 9/1992 Mizusugi et al. D14/399
D421,038 S * 2/2000 Hisatsune D16/237

D544,467 S * 6/2007 Tsuge D14/218
D568,298 S * 5/2008 Lundgren et al. D14/218
D583,363 S * 12/2008 Song et al. D14/218
D592,646 S * 5/2009 Sun et al. D14/218
D615,965 S * 5/2010 Yokota D14/218

* cited by examiner

Primary Examiner — Celia A. Murphy

Assistant Examiner — John Windmuller

(74) *Attorney, Agent, or Firm* — Hamre, Schumann, Mueller & Larson, P.C.

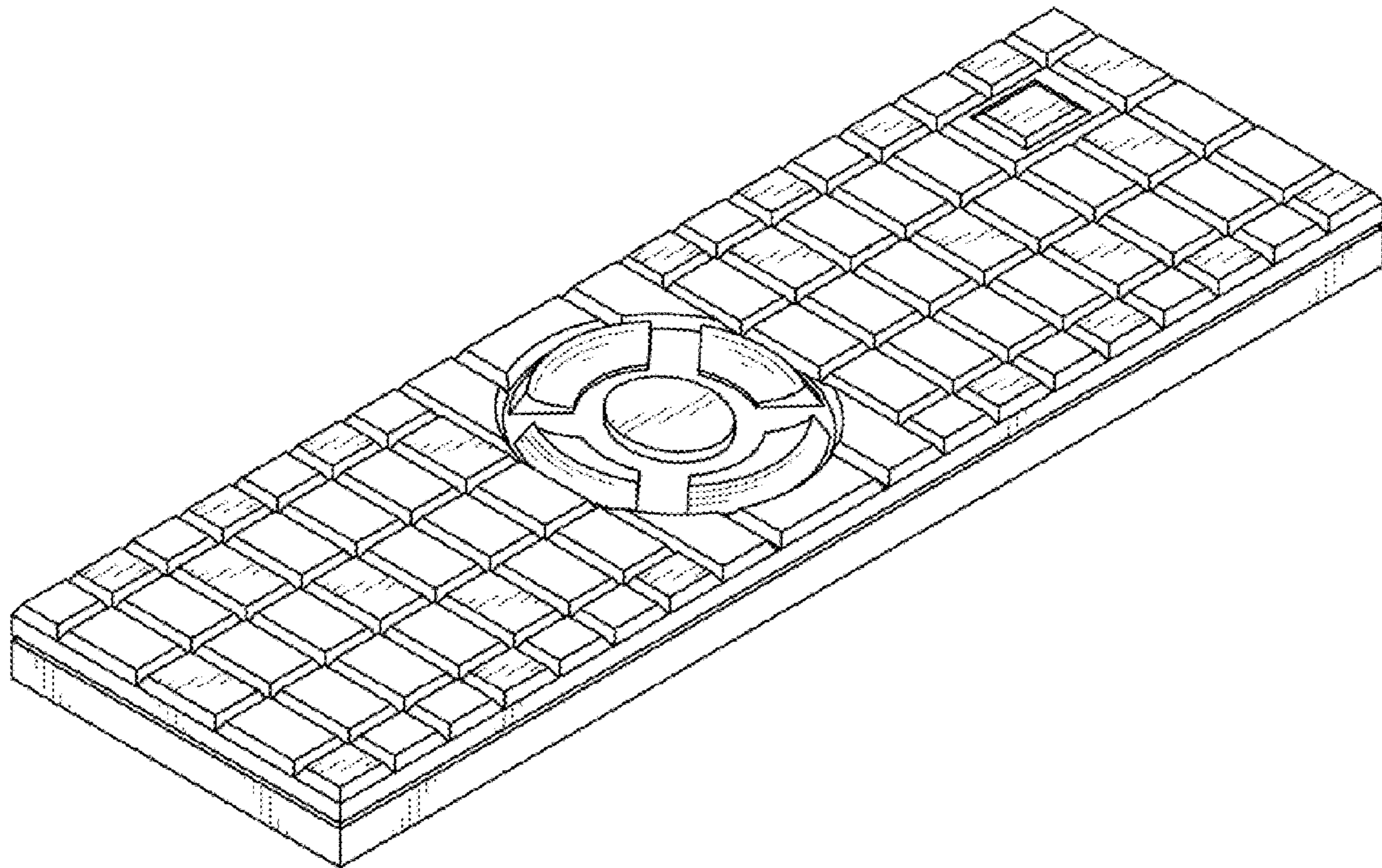
(57) **CLAIM**

The ornamental design for a remote control, as shown and described.

DESCRIPTION

FIG. 1 is a front perspective view of a remote control in accordance with my new invention;
FIG. 2 is a front elevational view thereof;
FIG. 3 is a rear elevational view thereof;
FIG. 4 is a left side elevational view thereof;
FIG. 5 is a right side elevational view thereof;
FIG. 6 is a top plan view thereof; and,
FIG. 7 is a bottom plan view thereof.

1 Claim, 7 Drawing Sheets



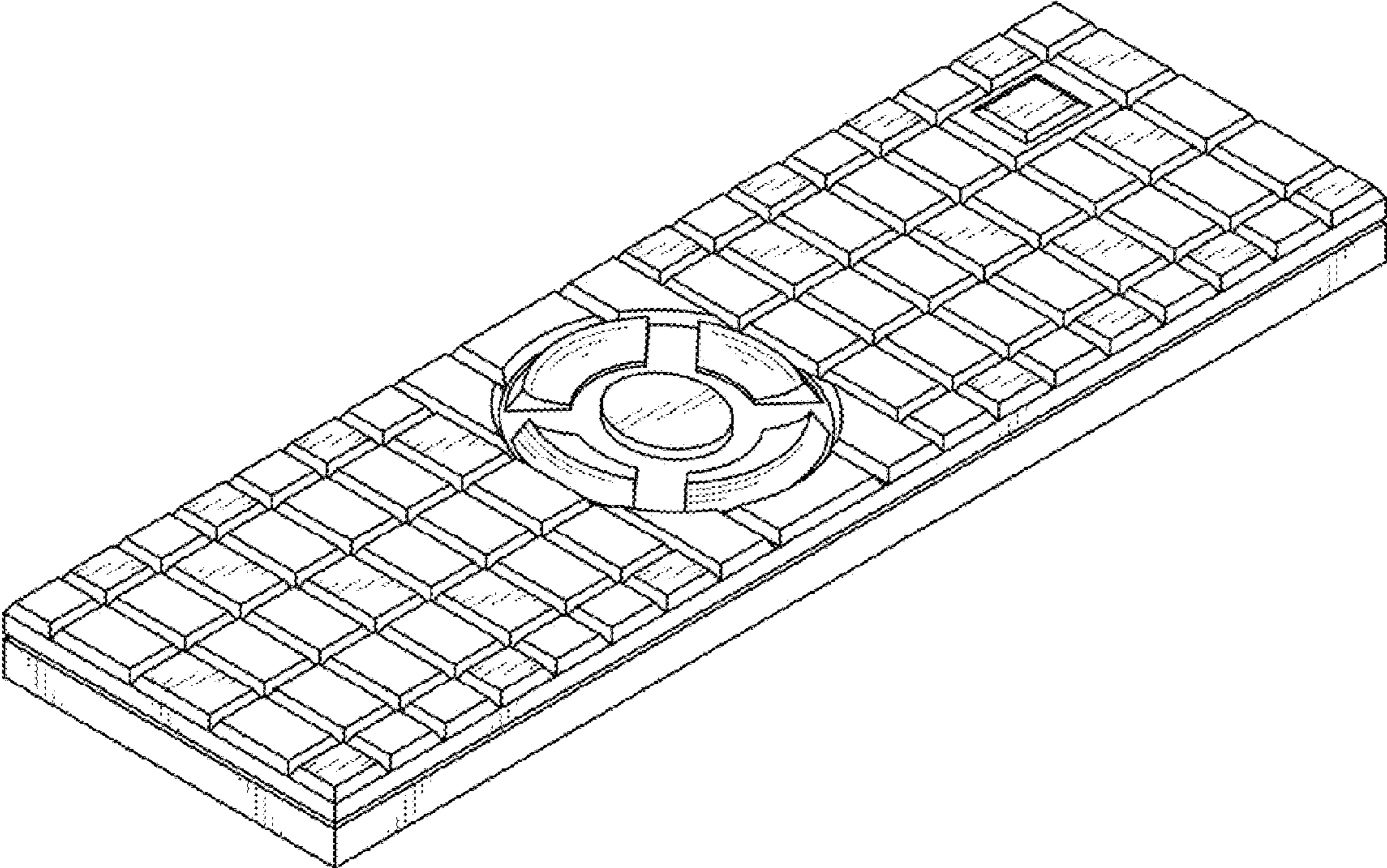


FIG. 1

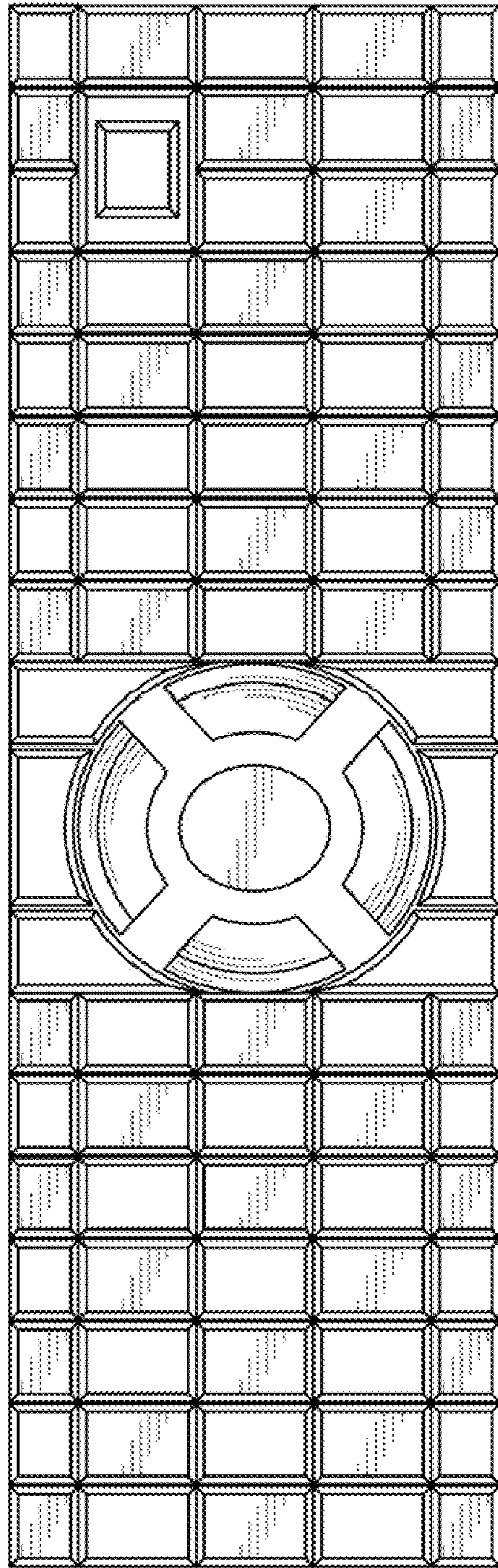


FIG. 2

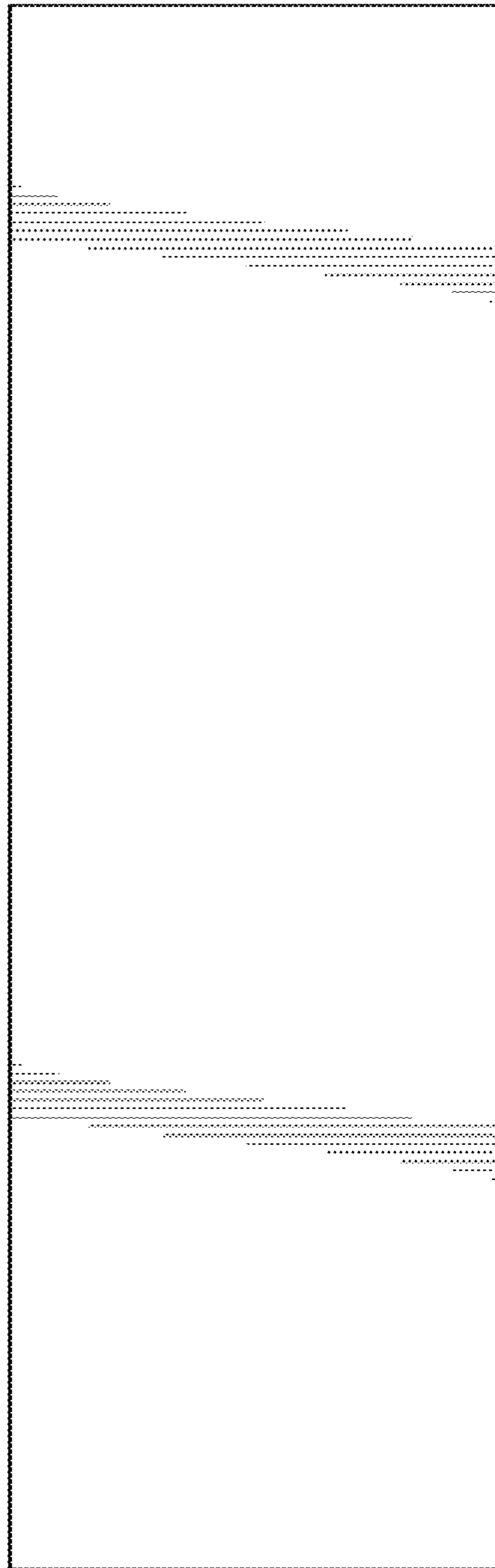


FIG. 3

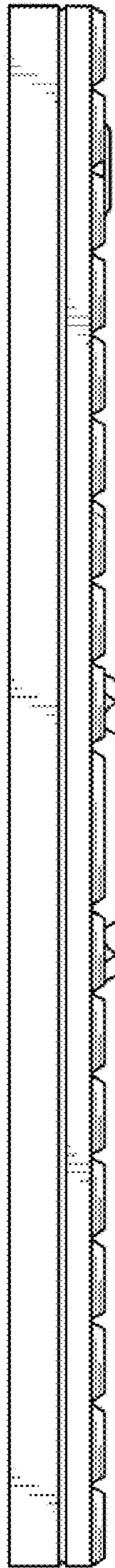


FIG. 4

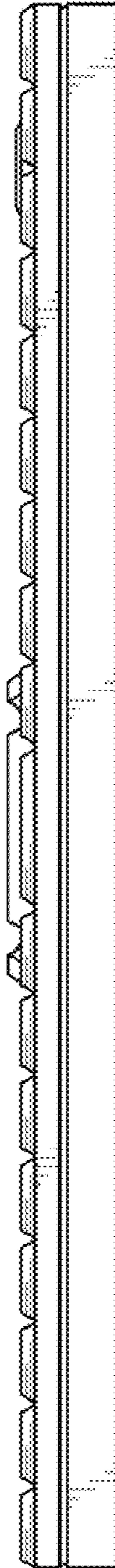


FIG. 5

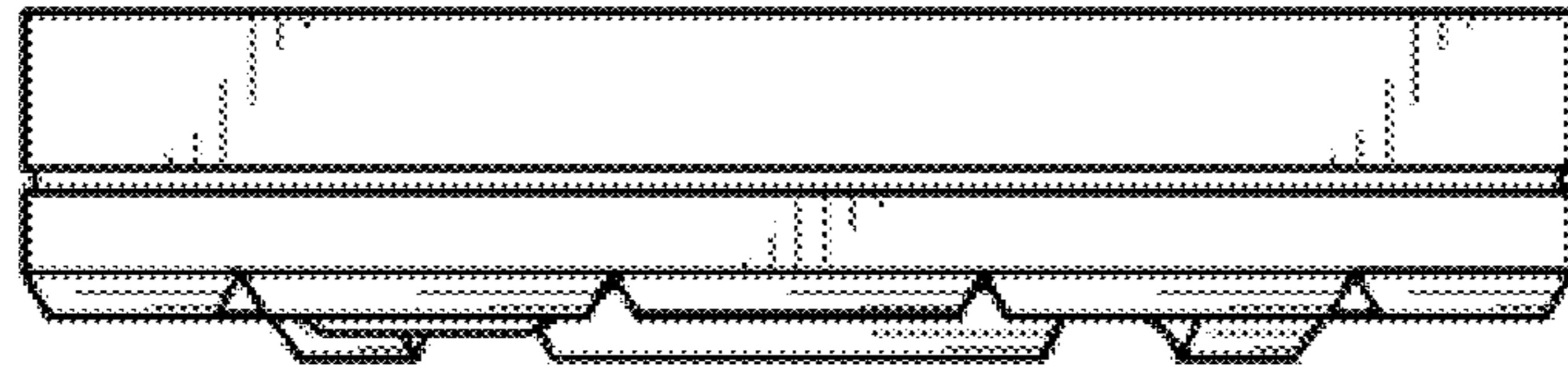


FIG. 6



FIG. 7