



US00D637173S

(12) **United States Design Patent**
Elkerbout

(10) **Patent No.:** **US D637,173 S**

(45) **Date of Patent:** **** May 3, 2011**

(54) **BABY UNIT FOR BABYPHONE**

(75) Inventor: **Marten Frans Elkerbout**, Dalen (NL)

(73) Assignee: **Koninklijke Philips Electronics N.V.**,
Eindhoven (NL)

(**) Term: **14 Years**

(21) Appl. No.: **29/363,499**

(22) Filed: **Jun. 10, 2010**

(30) **Foreign Application Priority Data**

Dec. 28, 2009 (EM) 001652553-0001

(51) **LOC (9) Cl.** **14-03**

(52) **U.S. Cl.** **D14/159**

(58) **Field of Classification Search** D14/167,
D14/154, 168, 188, 496, 156, 160, 161, 162,
D14/163, 164, 165, 158, 253, 192, 159, 155,
D14/138 AB, 137; 455/351, 350, 353; D10/104,
D10/106, 65, 78; 340/573.4

See application file for complete search history.

(56) **References Cited**

U.S. PATENT DOCUMENTS

D340,253 S * 10/1993 Fedorczak D16/203
D392,299 S * 3/1998 Lin D16/202
D429,175 S * 8/2000 Ha D10/104
D430,546 S * 9/2000 Gibson D14/137

D430,587 S * 9/2000 Summit D16/202
D433,432 S * 11/2000 Prather et al. D16/202
D440,511 S * 4/2001 Heath D10/104
D455,165 S * 4/2002 Tsang et al. D16/202
D460,707 S * 7/2002 Gubitosi D10/104
D500,067 S * 12/2004 Liu D16/202
D516,105 S * 2/2006 Bradley et al. D16/202
7,104,656 B2 * 9/2006 Dwyer et al. 353/119
D539,251 S * 3/2007 Heath D14/137
D540,291 S * 4/2007 Heath D14/137
D552,649 S * 10/2007 Logan et al. D16/202
D616,415 S * 5/2010 Lum et al. D14/188
D616,861 S * 6/2010 Lum et al. D14/188
D626,983 S * 11/2010 Serge et al. D16/202
2005/0247845 A1 * 11/2005 Li et al. 248/346.5

* cited by examiner

Primary Examiner — Austin Murphy

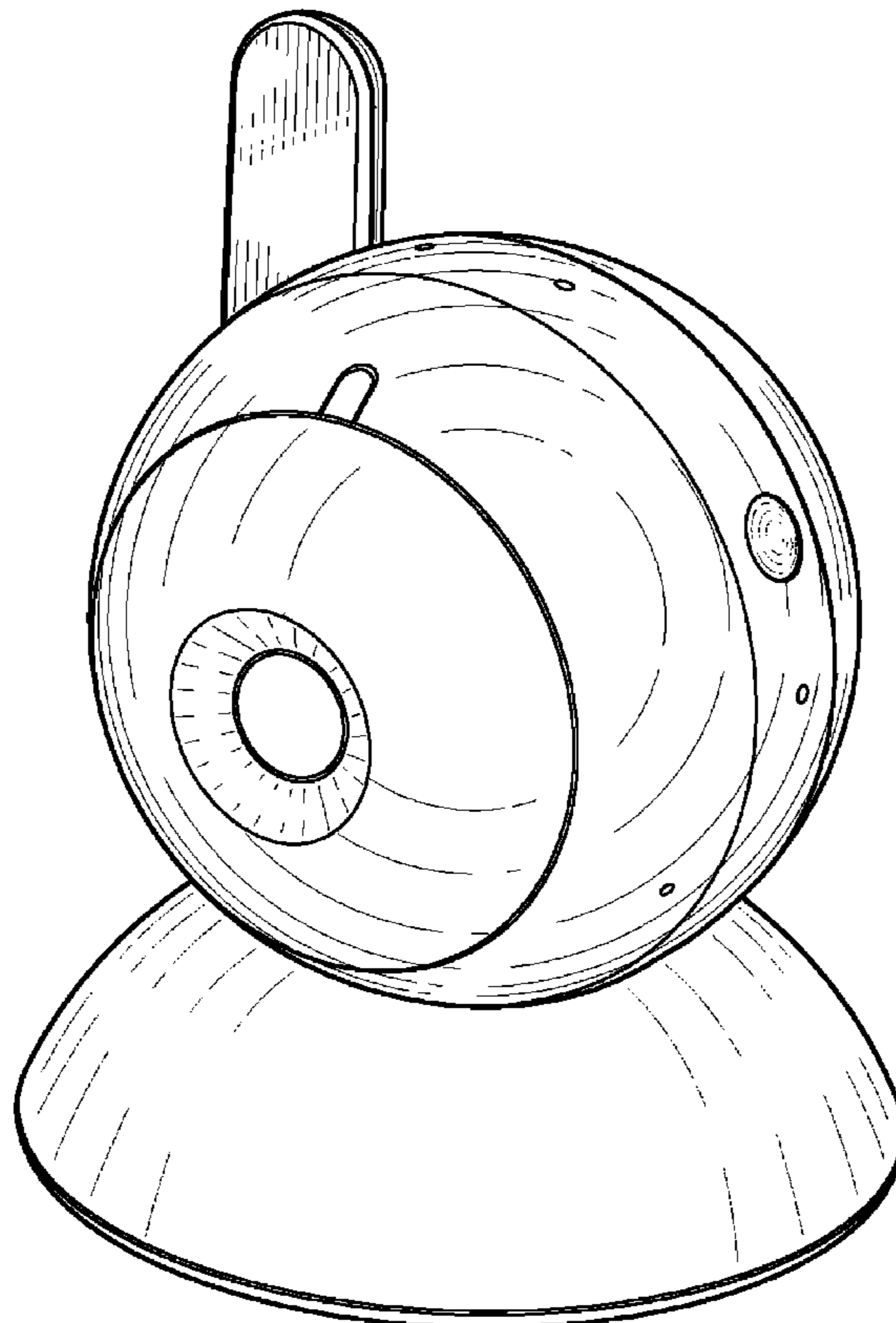
(57) **CLAIM**

The ornamental design for a baby unit for babyphone, as shown.

DESCRIPTION

FIG. 1 is a perspective view showing my design;
FIG. 2 is a front elevational view thereof;
FIG. 3 is a rear elevational view thereof;
FIG. 4 is a right side elevational view thereof;
FIG. 5 is a left side elevational view thereof;
FIG. 6 is a top plan view thereof; and,
FIG. 7 is a bottom plan view thereof.

1 Claim, 4 Drawing Sheets



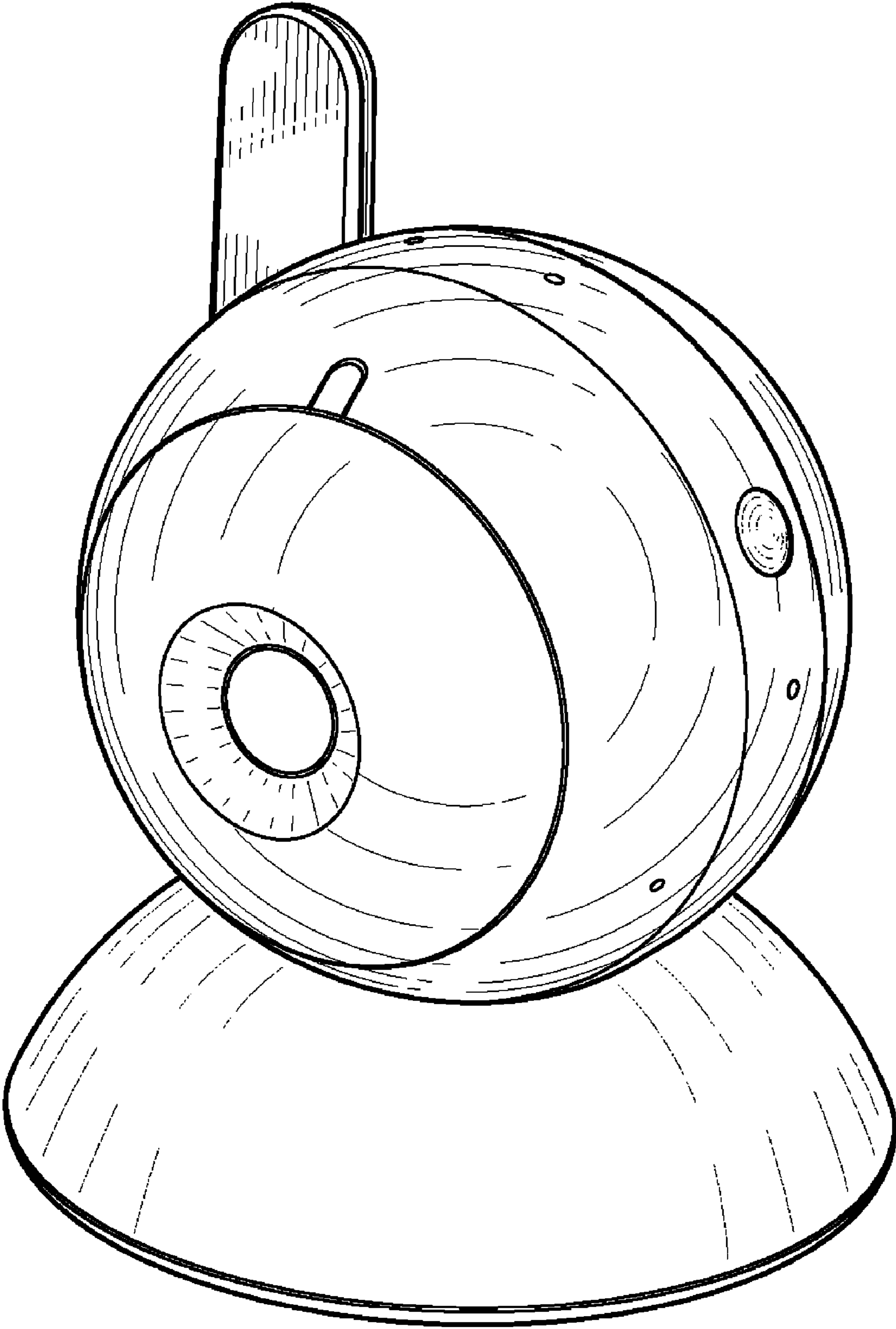


FIG. 1

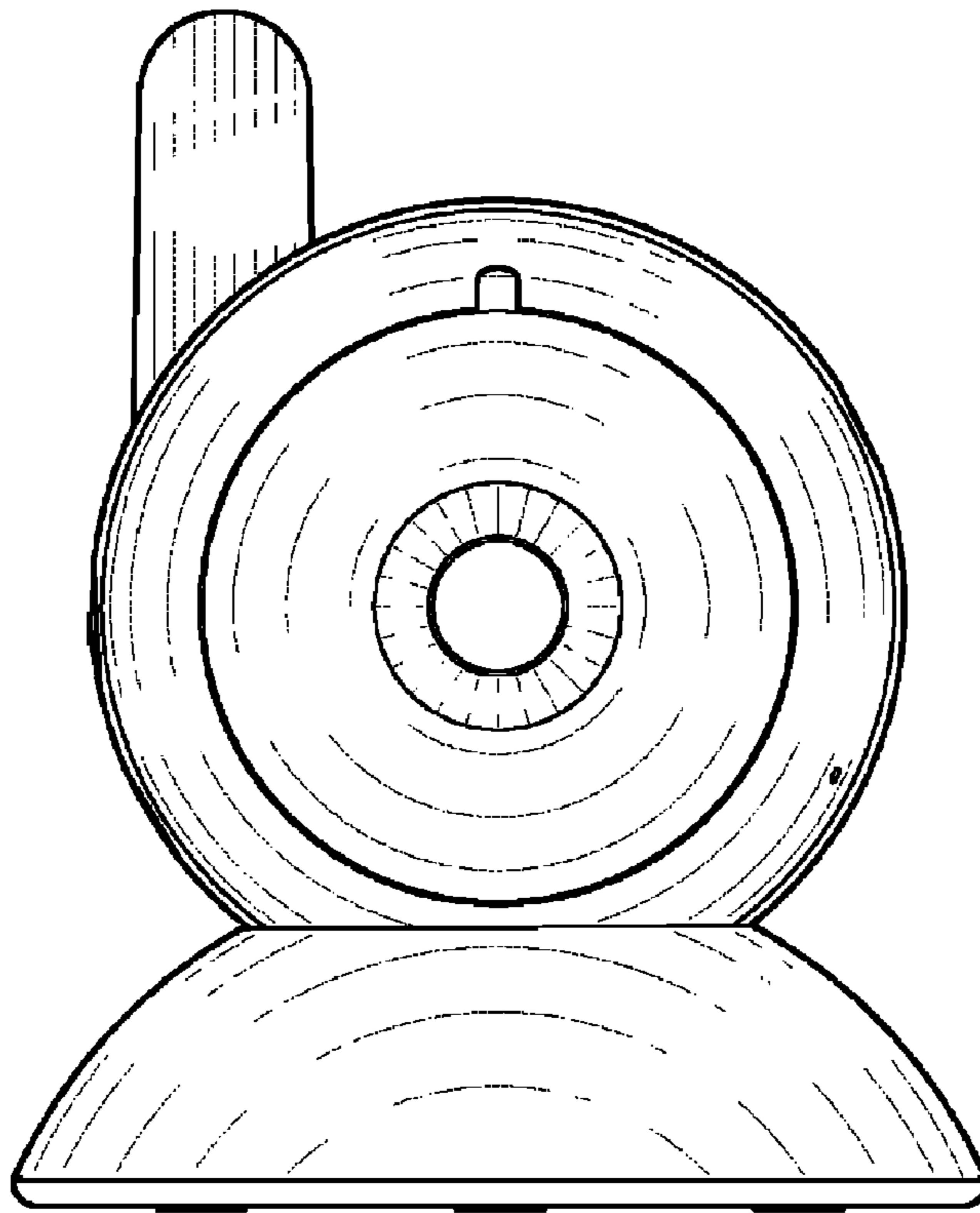


FIG. 2

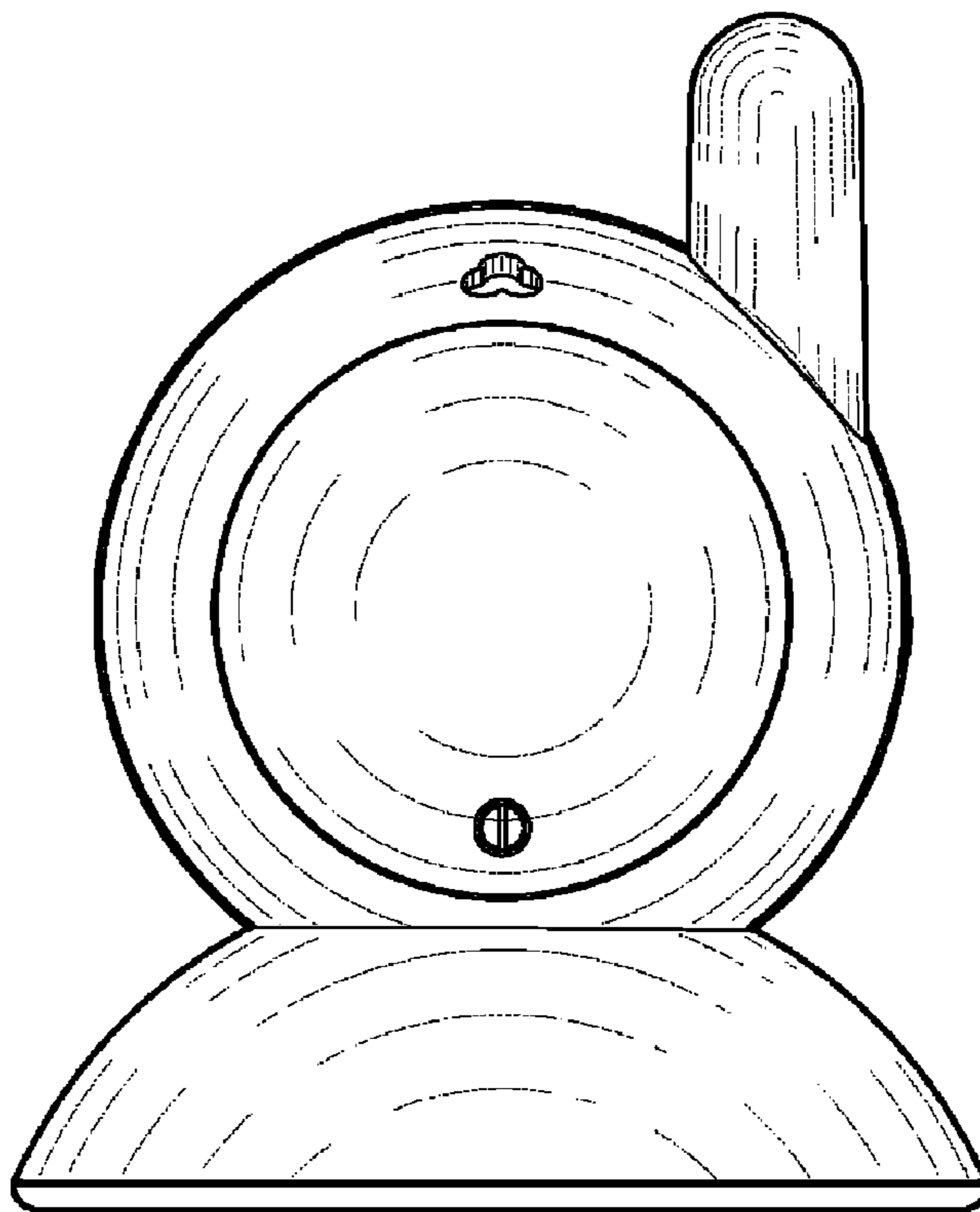


FIG. 3

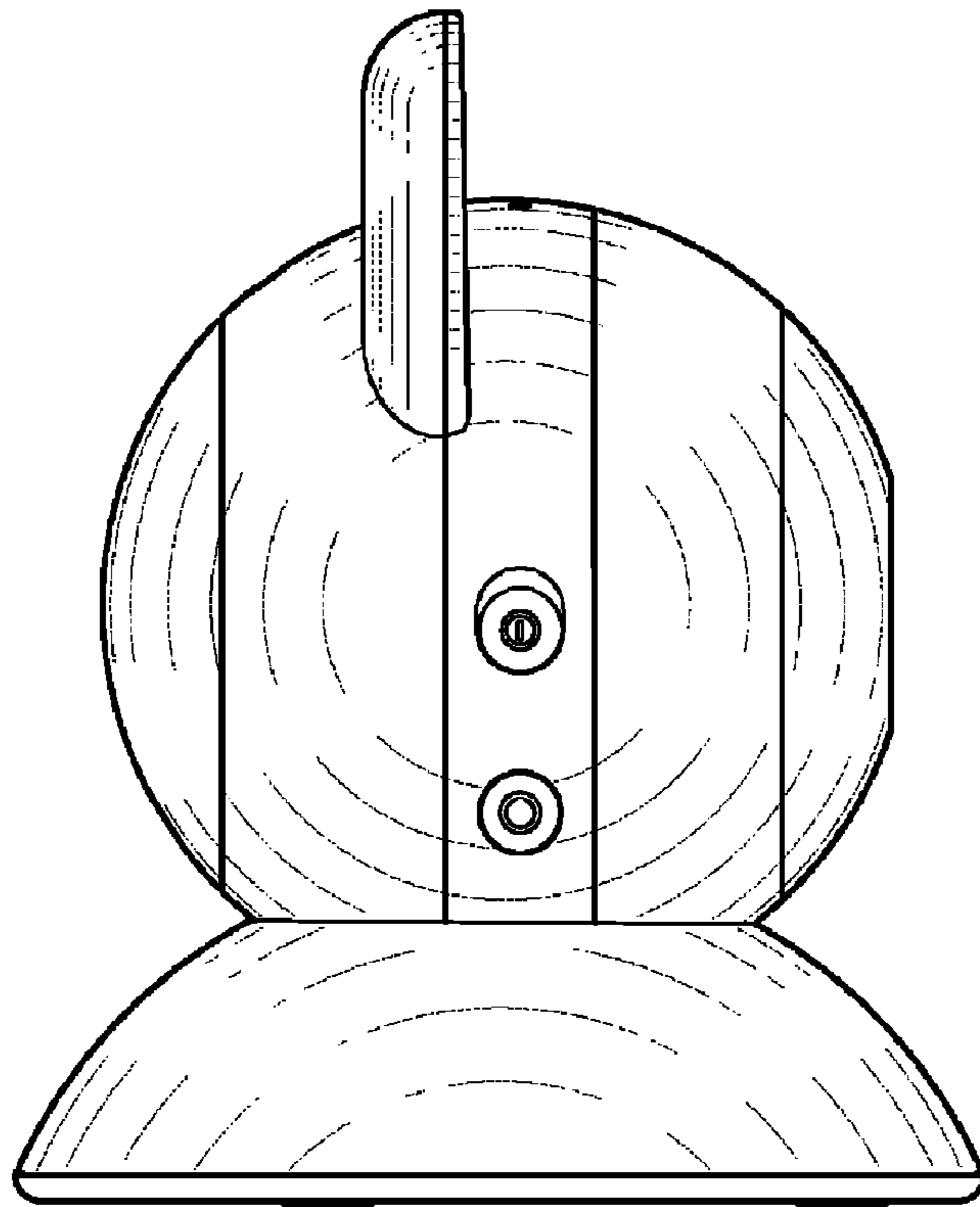


FIG. 4

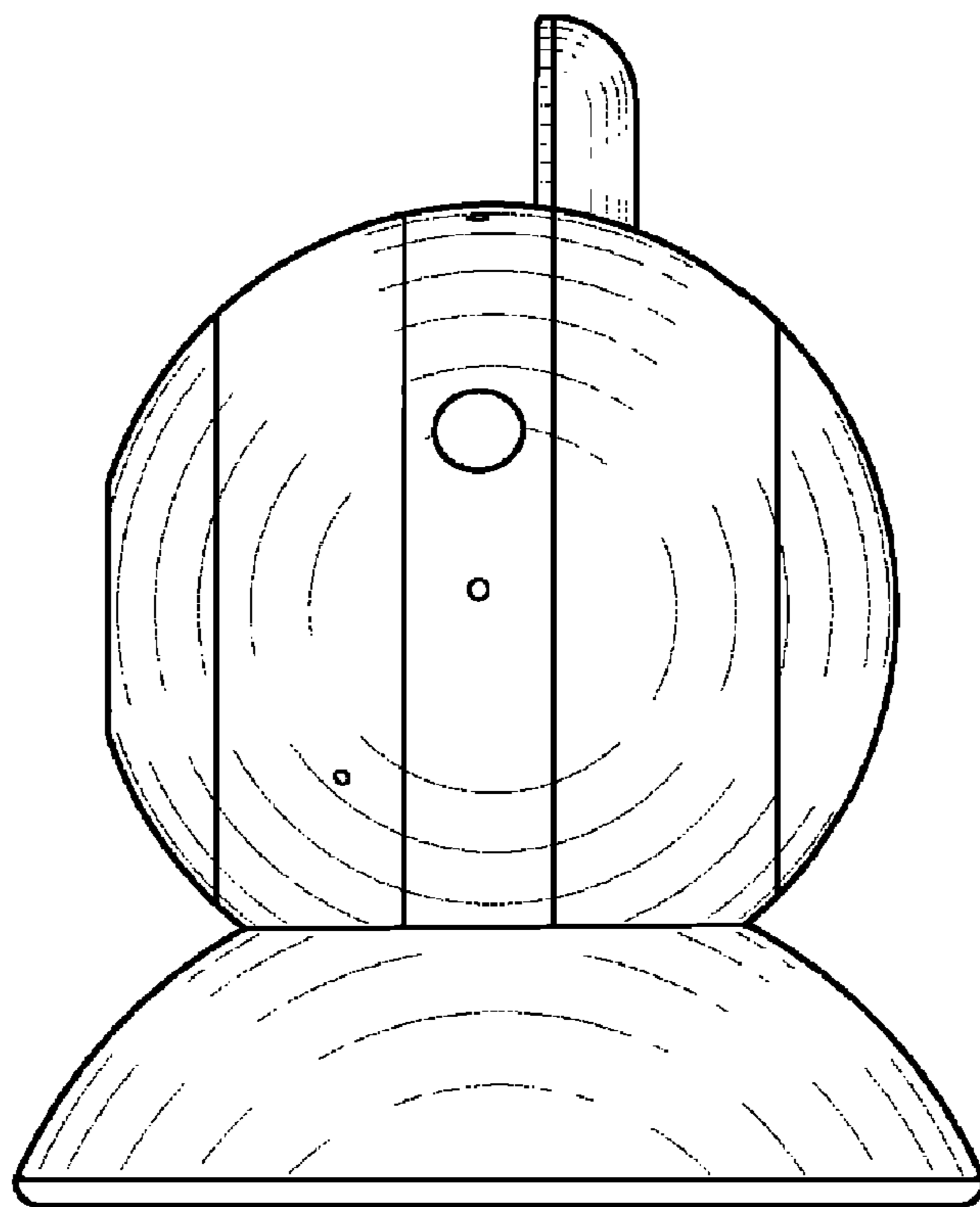


FIG. 5

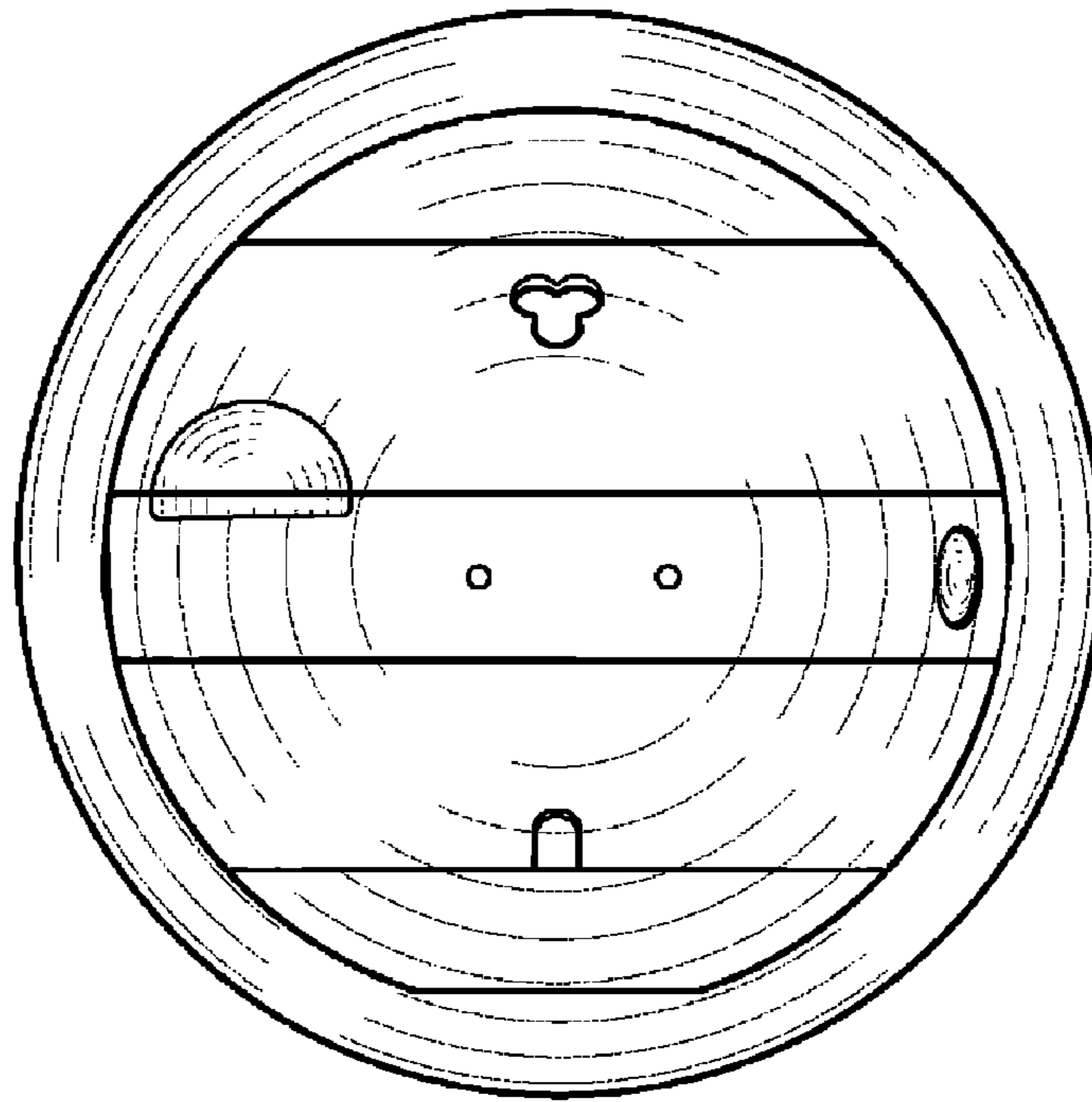


FIG. 6

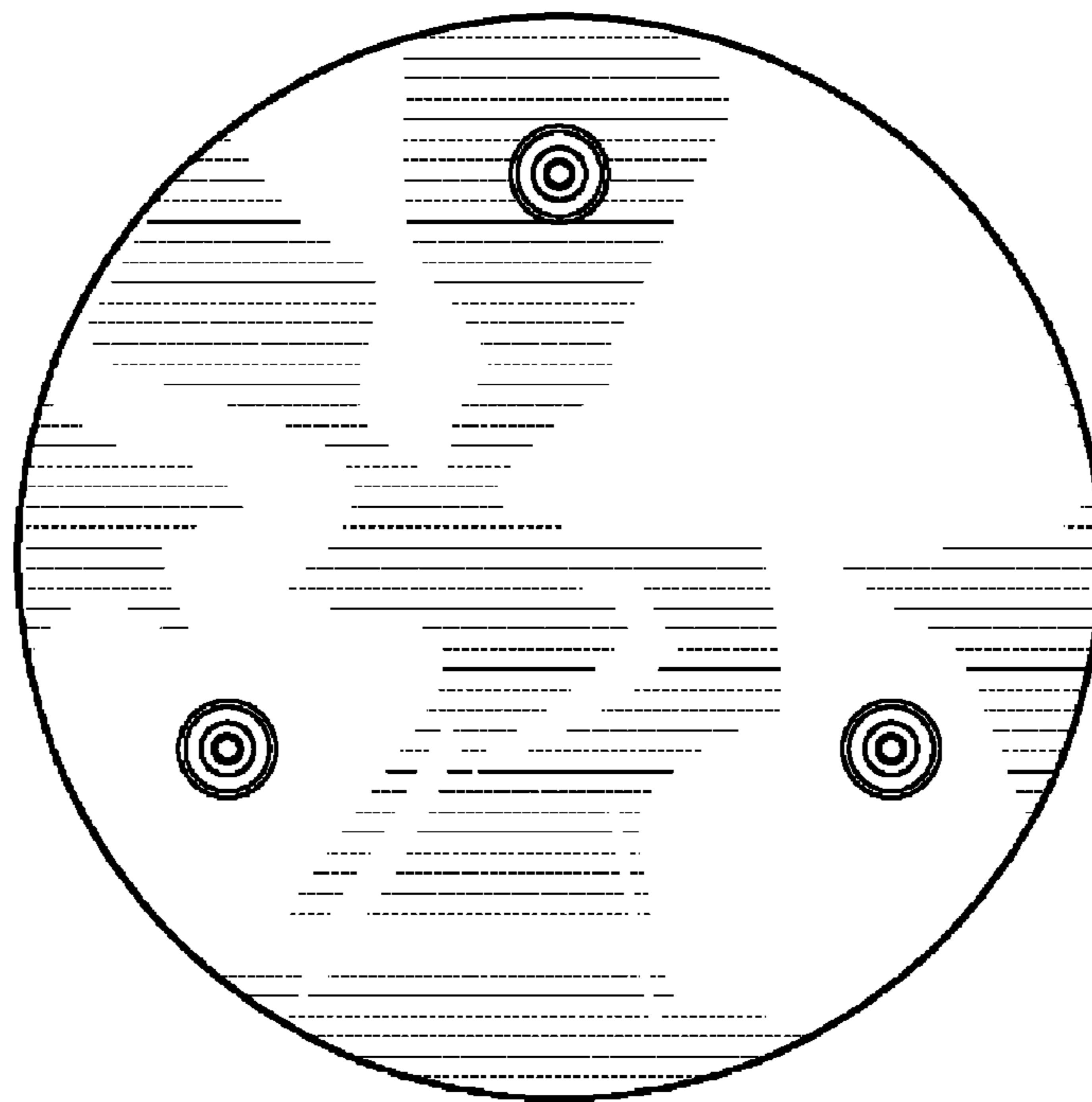


FIG. 7